

US00D518582S

(12) **United States Design Patent**
Escorbores

(10) **Patent No.:** **US D518,582 S**

(45) **Date of Patent:** **** Apr. 4, 2006**

(54) **VEHICLE LIGHT ASSEMBLY**

D326,282 S * 5/1992 Spoljaric D20/10
D459,010 S * 6/2002 Holmberg D26/31

(76) Inventor: **Manuel Escorbores**, P.O. Box 690042,
Orlando, FL (US) 32869

* cited by examiner

(**) Term: **14 Years**

Primary Examiner—Marcus A. Jackson
(74) *Attorney, Agent, or Firm*—Norman A. Nixon; Beusse
Brownlee Wolter Mora & Maier

(21) Appl. No.: **29/222,283**

(22) Filed: **Jan. 27, 2005**

(57) **CLAIM**

The ornamental design for a vehicle light assembly, as shown and described.

(51) **LOC (8) Cl.** **26-06**

DESCRIPTION

(52) **U.S. Cl.** **D26/31**

FIG. 1 is a perspective view of a lighting assembly showing my new design.

(58) **Field of Classification Search** D26/28–36;
362/459–468, 475–478, 485–487
See application file for complete search history.

FIG. 2 is a rear elevational view thereof, the opposite side having a flat backing; and,

FIG. 3 is a rear elevational view of another embodiment thereof, the opposite side having a flat backing.

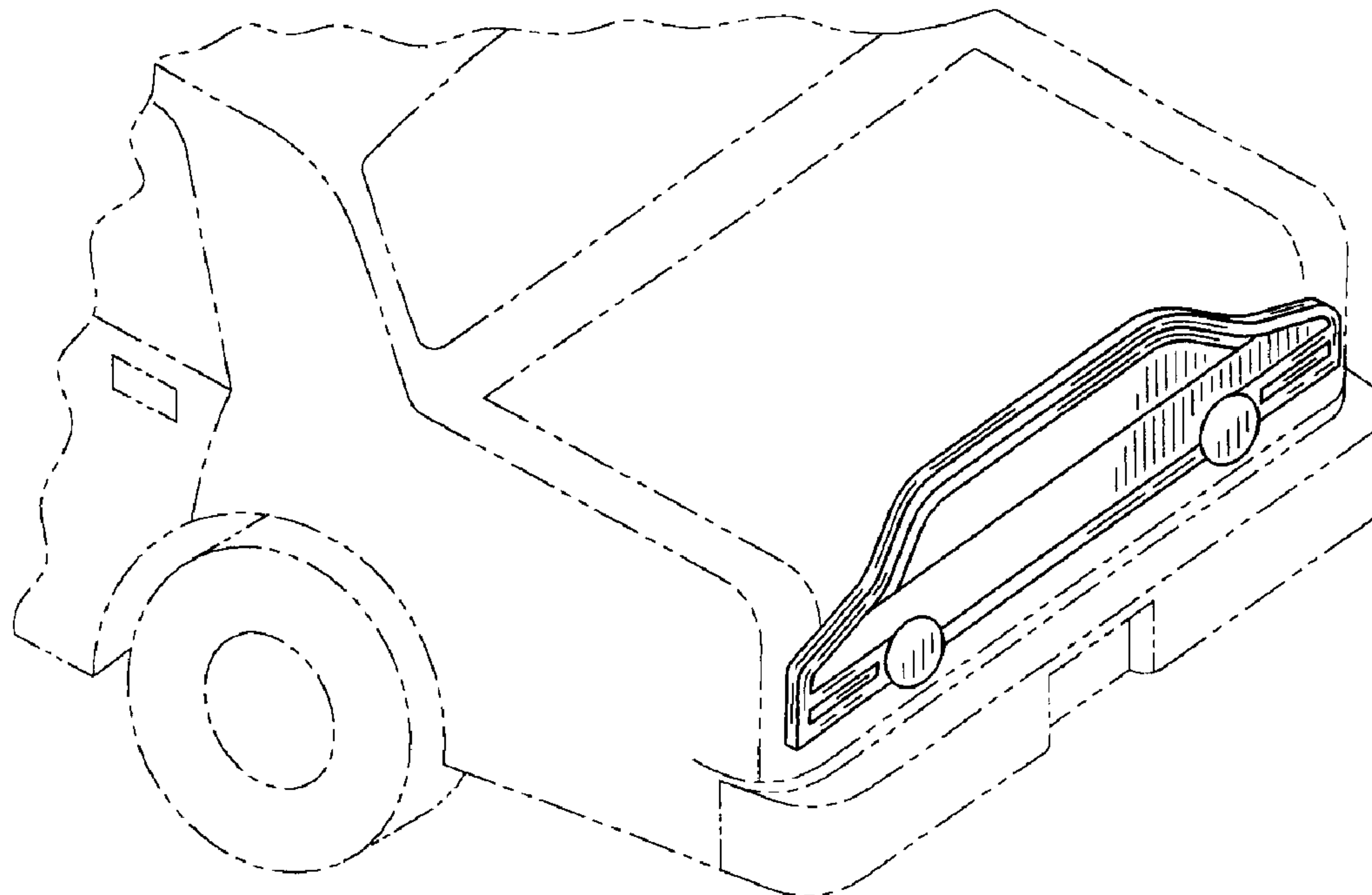
(56) **References Cited**

The broken line showing of a vehicle is for illustrative purposes only and forms no part of the claimed design.

U.S. PATENT DOCUMENTS

D290,296 S * 6/1987 Caine D26/125

1 Claim, 1 Drawing Sheet



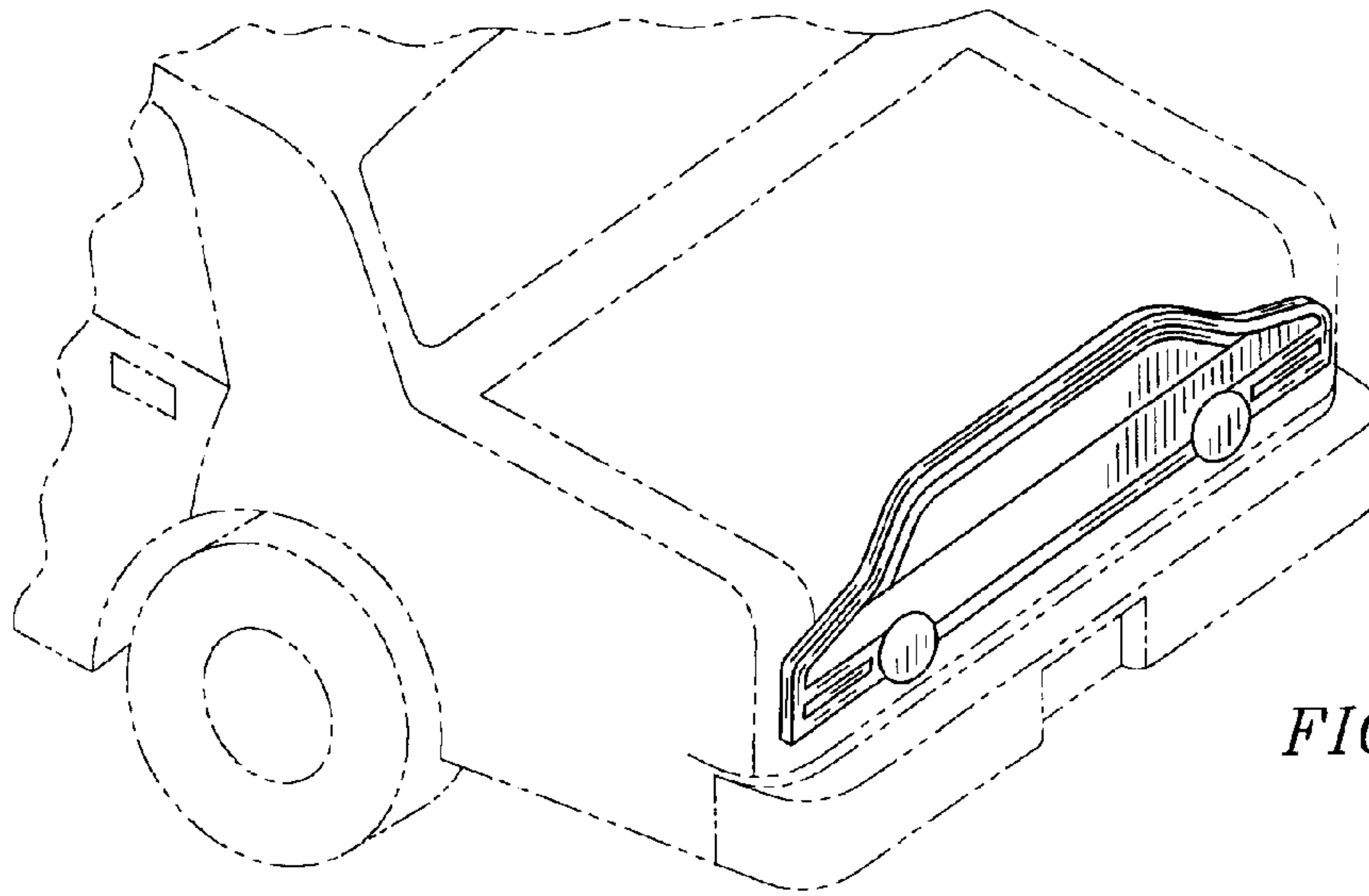


FIG. 1

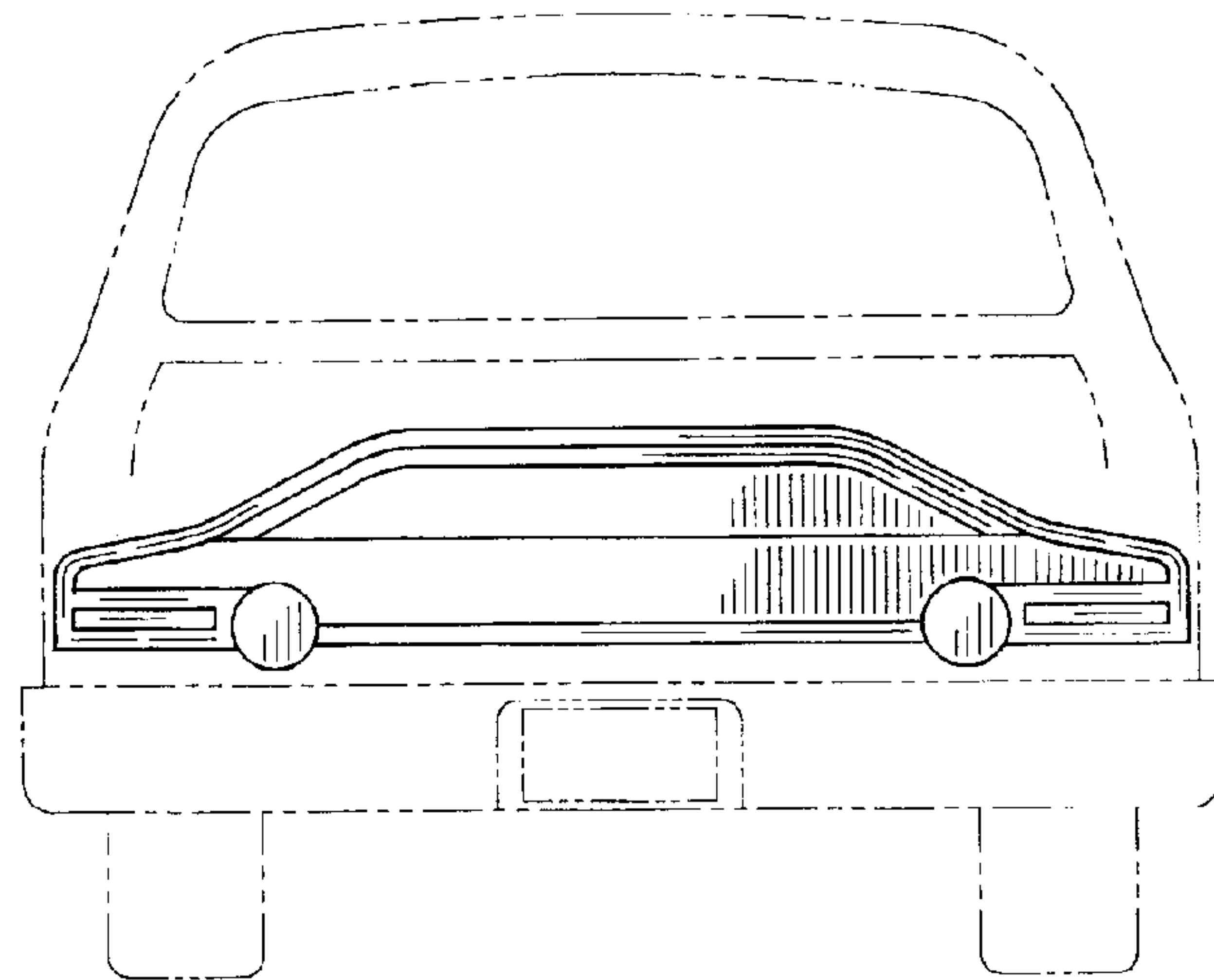


FIG. 2

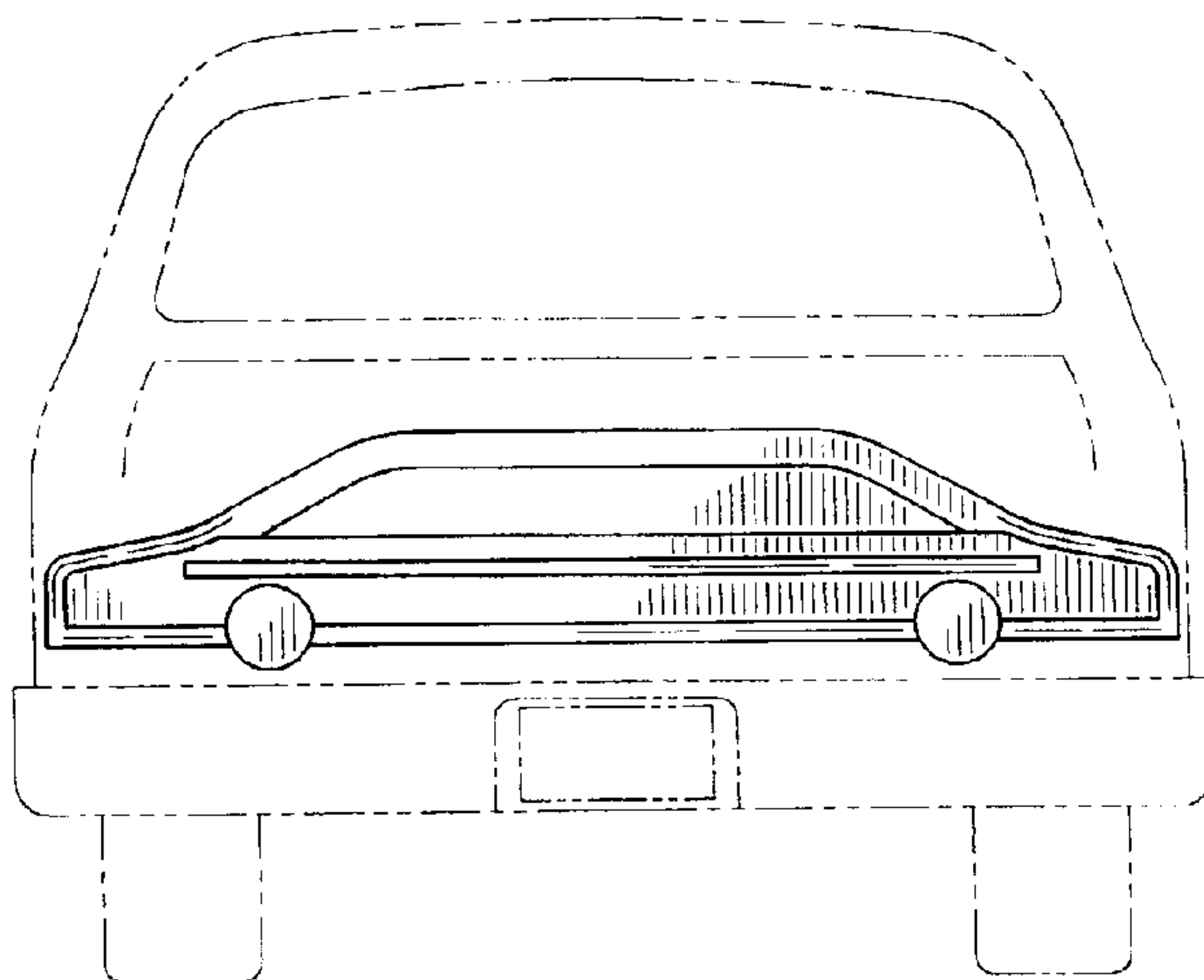


FIG. 3