



US00D518575S

(12) **United States Design Patent**
Inada et al.

(10) **Patent No.:** **US D518,575 S**
(45) **Date of Patent:** **** Apr. 4, 2006**

(54) **MASSAGING APPARATUS FOR FOREARMS**

(75) Inventors: **Nichimu Inada**, Osaka (JP); **Noritsugu Kawamura**, Osaka (JP)

(73) Assignee: **Family Co., Ltd.**, Osaka (JP)

(**) Term: **14 Years**

(21) Appl. No.: **29/186,523**

(22) Filed: **Jul. 16, 2003**

(30) **Foreign Application Priority Data**

Jan. 17, 2003 (JP) 2003-001026

(51) **LOC (8) Cl.** **24-04**

(52) **U.S. Cl.** **D24/200; D6/500; D6/501**

(58) **Field of Classification Search** D24/200,
D24/154, 214; D6/500, 501, 367, 366, 335,
D6/334; 601/133, 33, 49, 98, 151, 86, 90;
297/217.3

See application file for complete search history.

(56) **References Cited**

U.S. PATENT DOCUMENTS

5,762,618 A * 6/1998 Yamanaka et al. 601/151

6,003,940 A * 12/1999 Jackson 297/217.3

6,607,499 B1 * 8/2003 Becher 601/133
D503,048 S * 3/2005 Inada et al. D6/367
2004/0186399 A1 * 9/2004 Tseng 601/133

* cited by examiner

Primary Examiner—Ian Simmons

(74) *Attorney, Agent, or Firm*—Alleman Hall McCoy Russell & Tuttle LLP

(57) **CLAIM**

The ornamental design for a massaging apparatus for forearms, as shown and described.

DESCRIPTION

FIG. 1 is a front view of a massage apparatus for forearms according to one embodiment of the present invention.

FIG. 2 is a back view of the massage apparatus of FIG. 1.

FIG. 3 is a top view of the massage apparatus of FIG. 1.

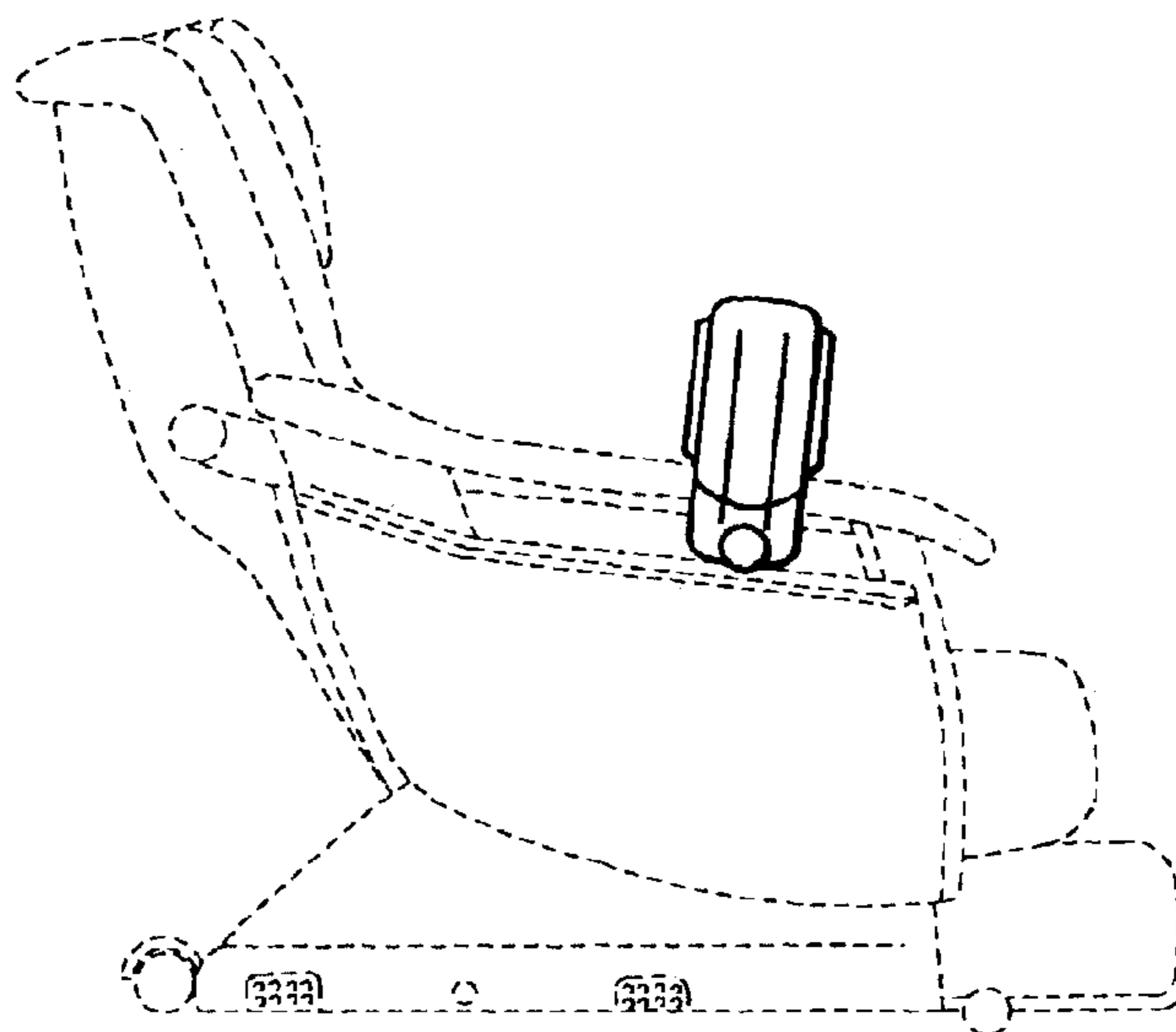
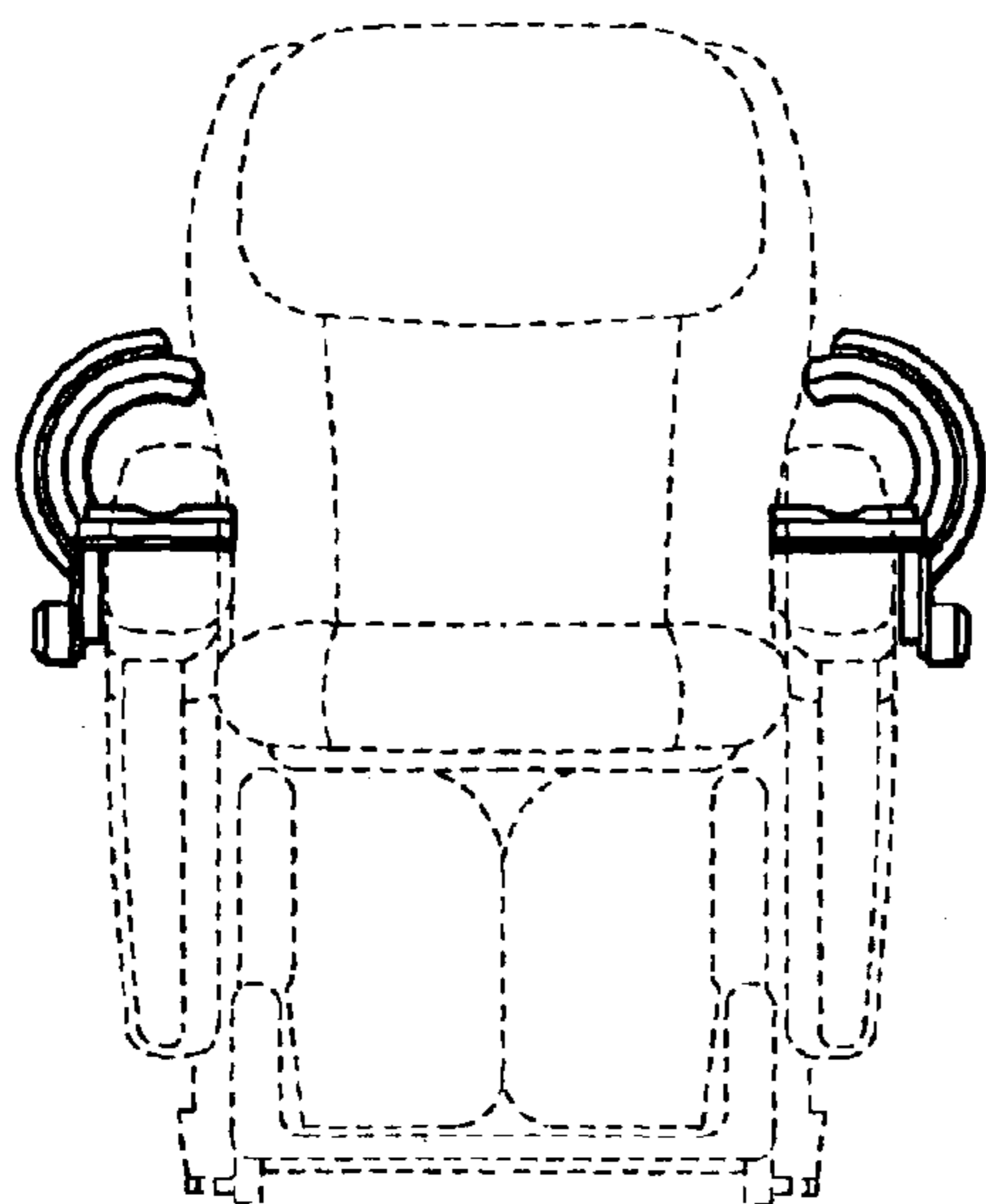
FIG. 4 is a bottom view of the massage apparatus of FIG. 1; and,

FIG. 5 is a left side view of the massage apparatus of FIG. 1.

The right side view is symmetrical to the left side view, so the right side view has been omitted.

The broken lines are for illustrative purposes only, and form no part of the claimed design.

1 Claim, 3 Drawing Sheets



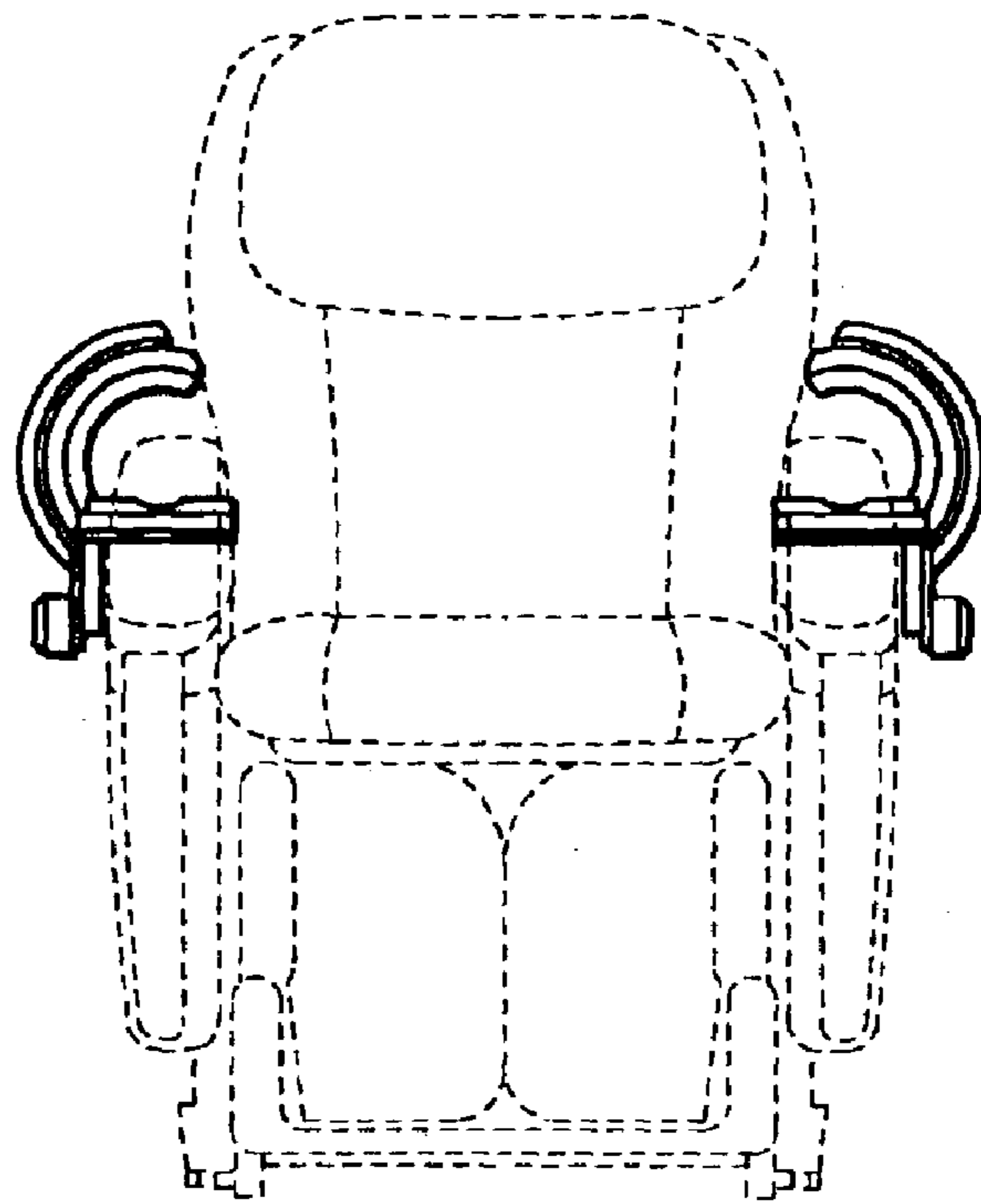


FIG. 1

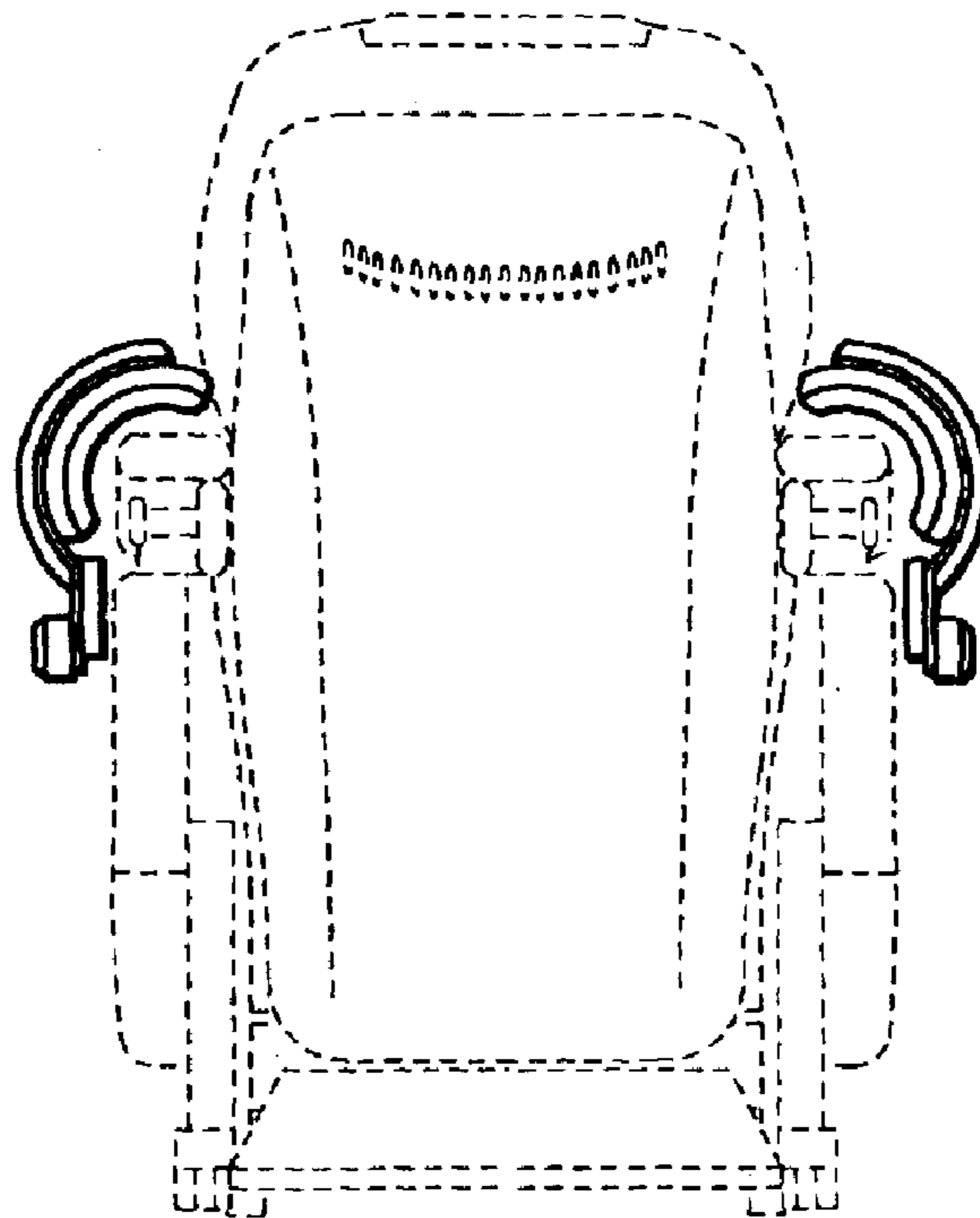


FIG. 2

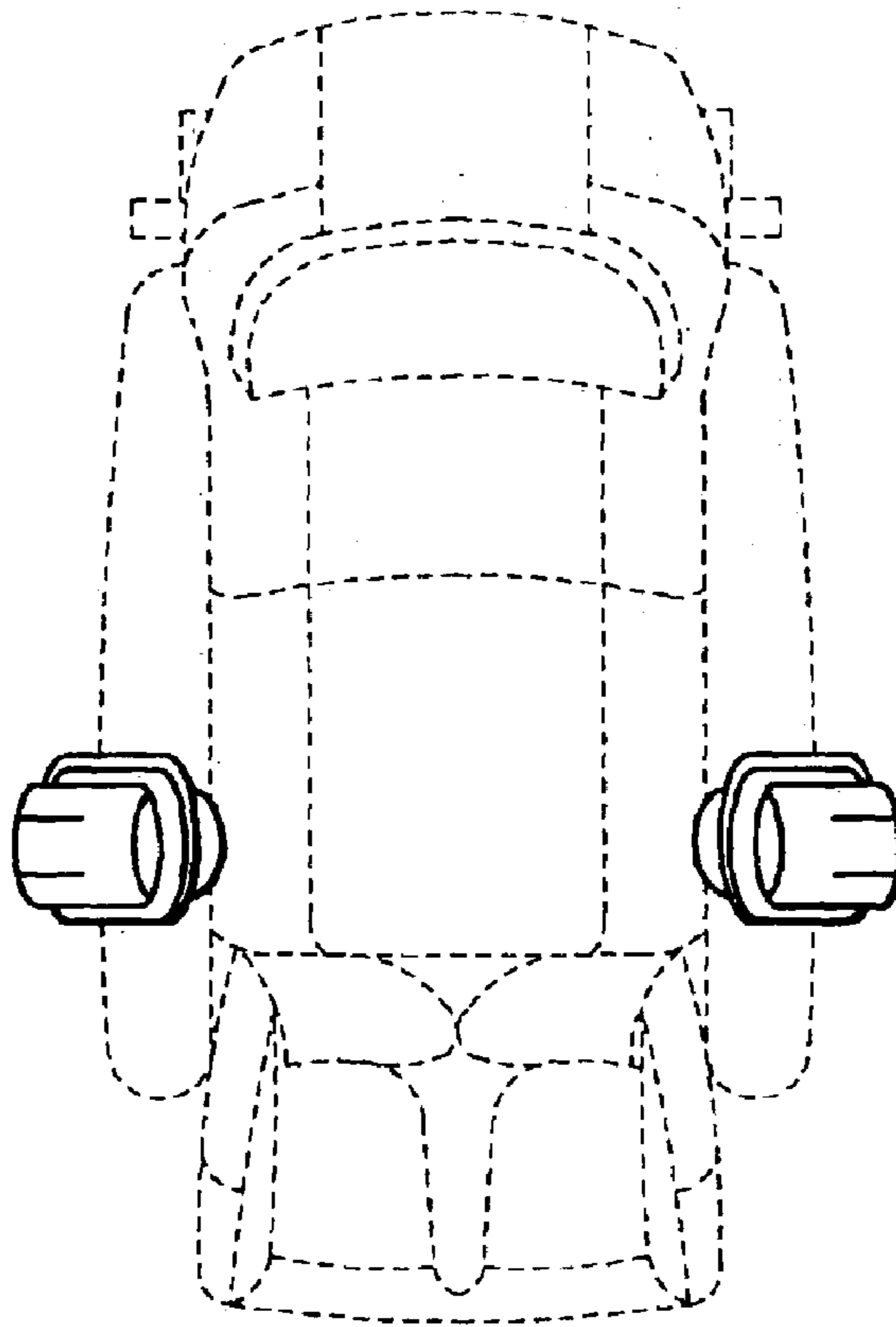


FIG. 3

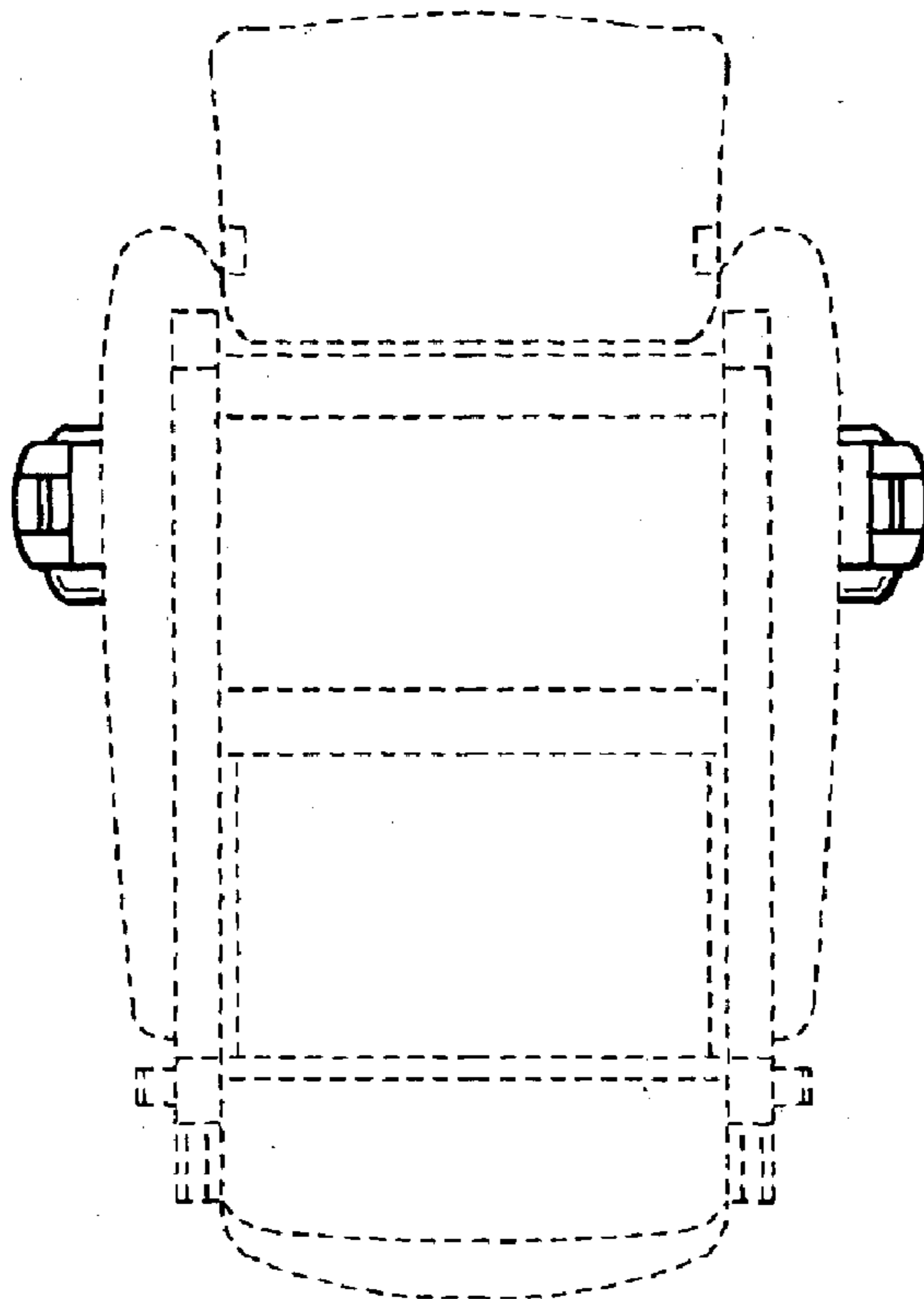


FIG. 4

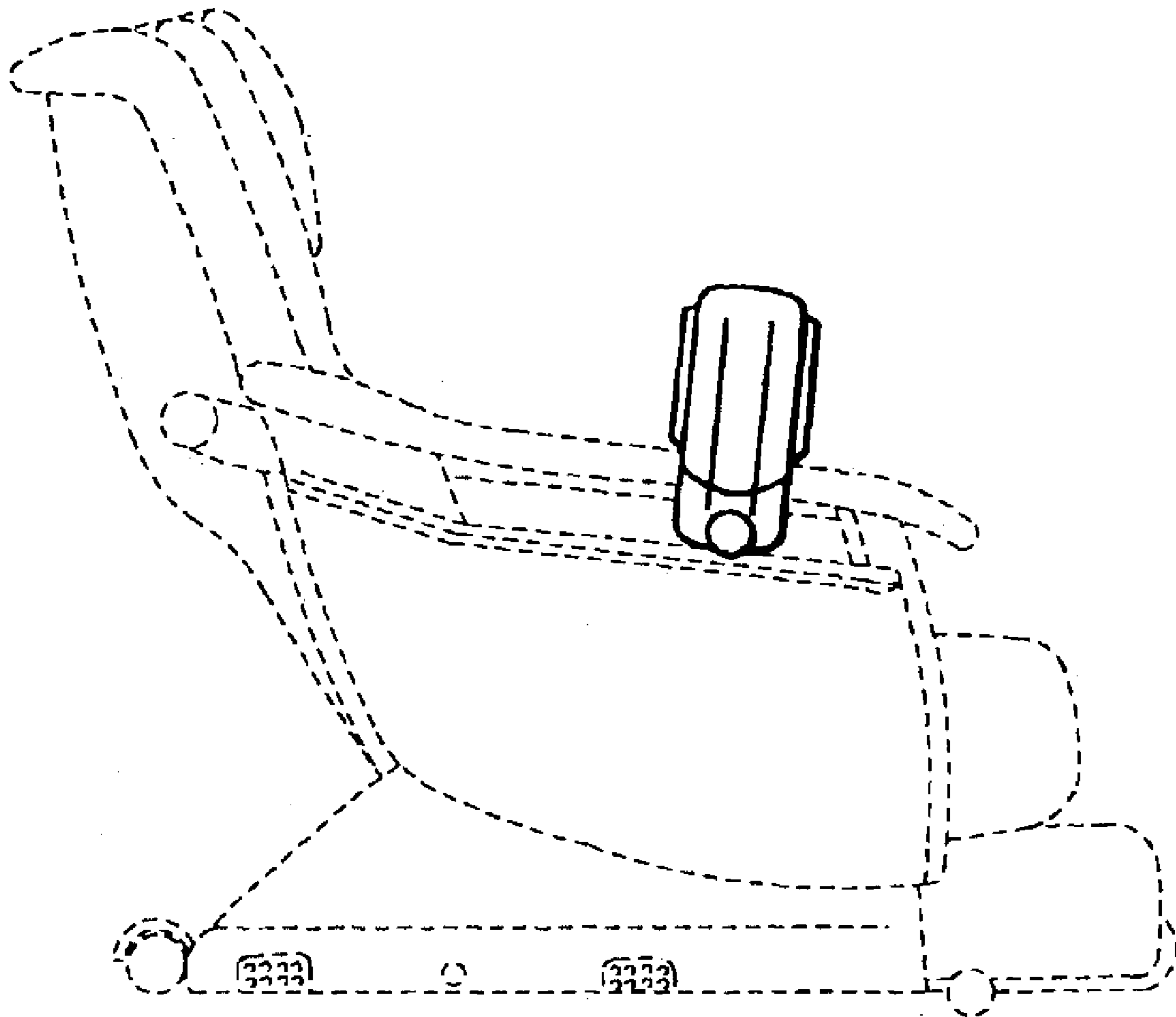


FIG. 5