



US00D518574S

(12) **United States Design Patent**  
**Chaggares**

(10) **Patent No.: US D518,574 S**

(45) **Date of Patent: \*\* \*Apr. 4, 2006**

(54) **NOSEPIECE**

(75) Inventor: **N. Chris Chaggares**, Toronto (CA)

(73) Assignee: **VisualSonics Inc.**, Toronto (CA)

(\*) Notice: This patent is subject to a terminal disclaimer.

(\*\*) Term: **14 Years**

(21) Appl. No.: **29/207,878**

(22) Filed: **Jun. 18, 2004**

(51) **LOC (8) Cl.** ..... **24-01**

(52) **U.S. Cl.** ..... **D24/187; D24/186**

(58) **Field of Classification Search** ..... D24/186,  
D24/187, 137, 135, 110.5, 164, 106; D10/78;  
600/446, 459, 453, 511, 437, 443; 73/607,  
73/644; 128/207.13, 206.28, 206.18, 204.14  
See application file for complete search history.

(56) **References Cited**

**U.S. PATENT DOCUMENTS**

D245,513 S	*	8/1977	Kopel	.....	D24/187
D295,797 S	*	5/1988	Bono et al.	.....	D24/110.5
4,796,632 A	*	1/1989	Boyd et al.	.....	600/459
D303,440 S	*	9/1989	Campbell	.....	D24/110.5
4,867,169 A	*	9/1989	Machida et al.	.....	600/459
4,913,155 A	*	4/1990	Dow et al.	.....	600/446
5,033,456 A	*	7/1991	Pell et al.	.....	600/439
D378,609 S	*	3/1997	Kay	.....	D24/106
2004/0035208 A1	*	2/2004	Diaz et al.	.....	73/644

**OTHER PUBLICATIONS**

Applicant's co-pending Application (U.S. Appl. No.: 29/207,827, filed Jun. 18, 2004).

Applicant's co-pending Application (U.S. Appl. No.: 29/207,826, filed Jun. 18, 2004).

Applicant's co-pending Application (U.S. Appl. No.: 29/207,817, filed Jun. 18, 2004).

Applicant's co-pending Application (U.S. Appl. No.: 29/207,867, filed Jun. 18, 2004).

\* cited by examiner

*Primary Examiner*—Ian Simmons

(74) *Attorney, Agent, or Firm*—Needle & Rosenberg P.C.

(57) **CLAIM**

The ornamental design for a nosepiece, as shown and described.

**DESCRIPTION**

FIG. 1 is a perspective view of the design of the present invention for a nosepiece;

FIG. 2 is a left side elevational view of the nosepiece of FIG. 1;

FIG. 3 is a right side elevational view of the nosepiece of FIG. 1;

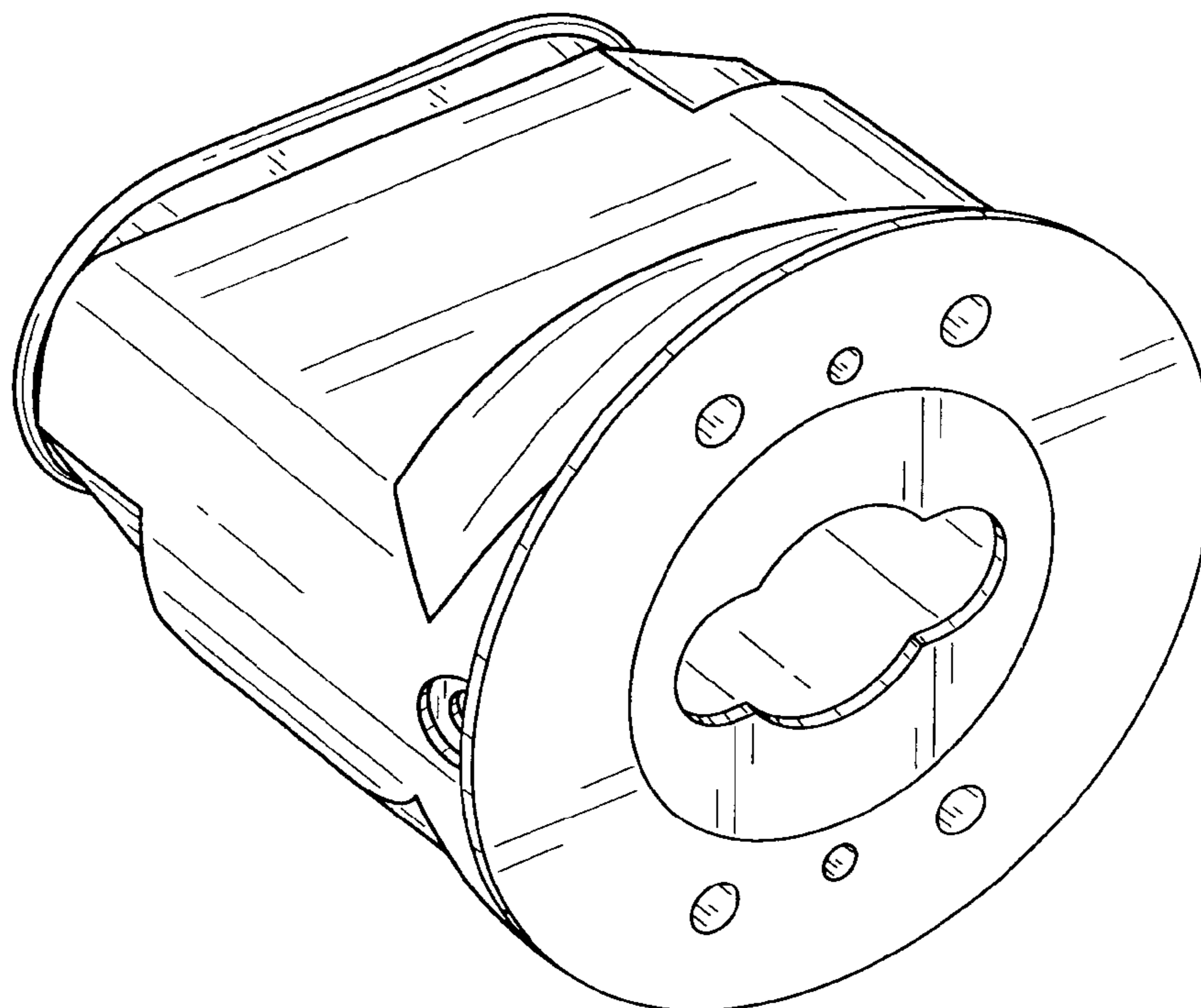
FIG. 4 is a top plan view of the nosepiece of FIG. 1;

FIG. 5 is a bottom plan view of the nose piece of FIG. 1;

FIG. 6 is a front elevational view of the nosepiece of FIG. 1; and,

FIG. 7 is a rear elevational view of the nosepiece of FIG. 1.

**1 Claim, 7 Drawing Sheets**



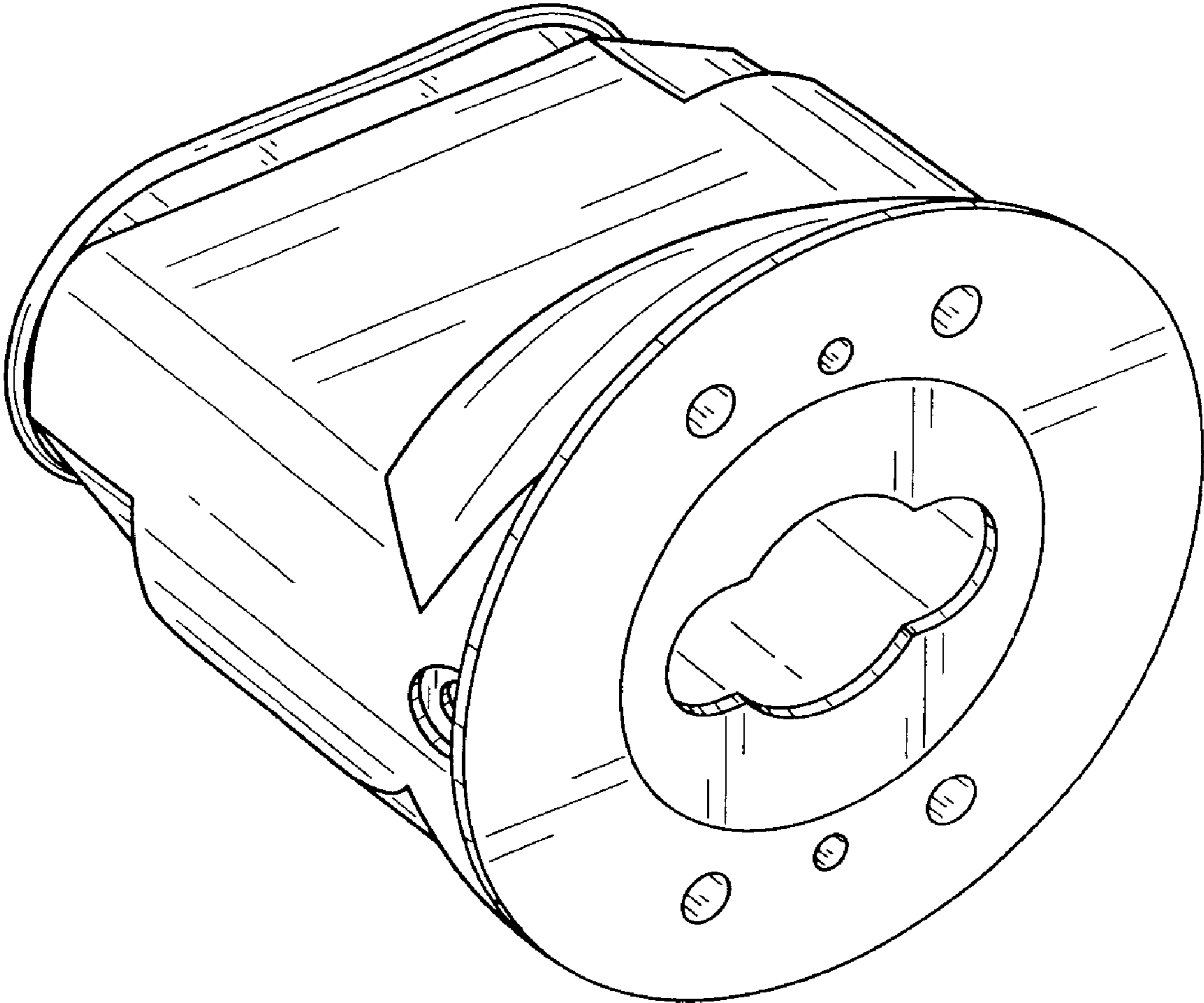


FIG. 1

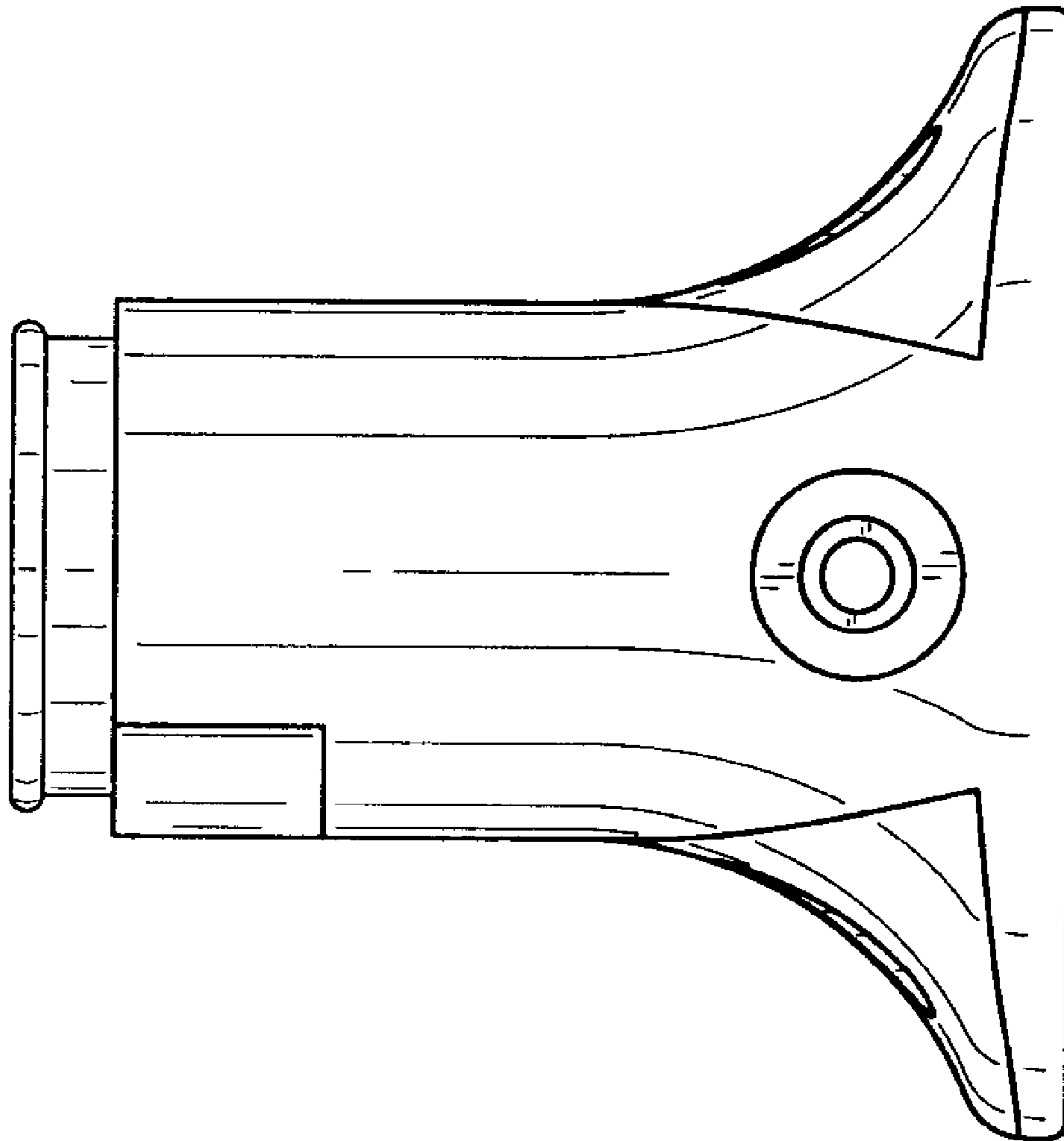


FIG. 2

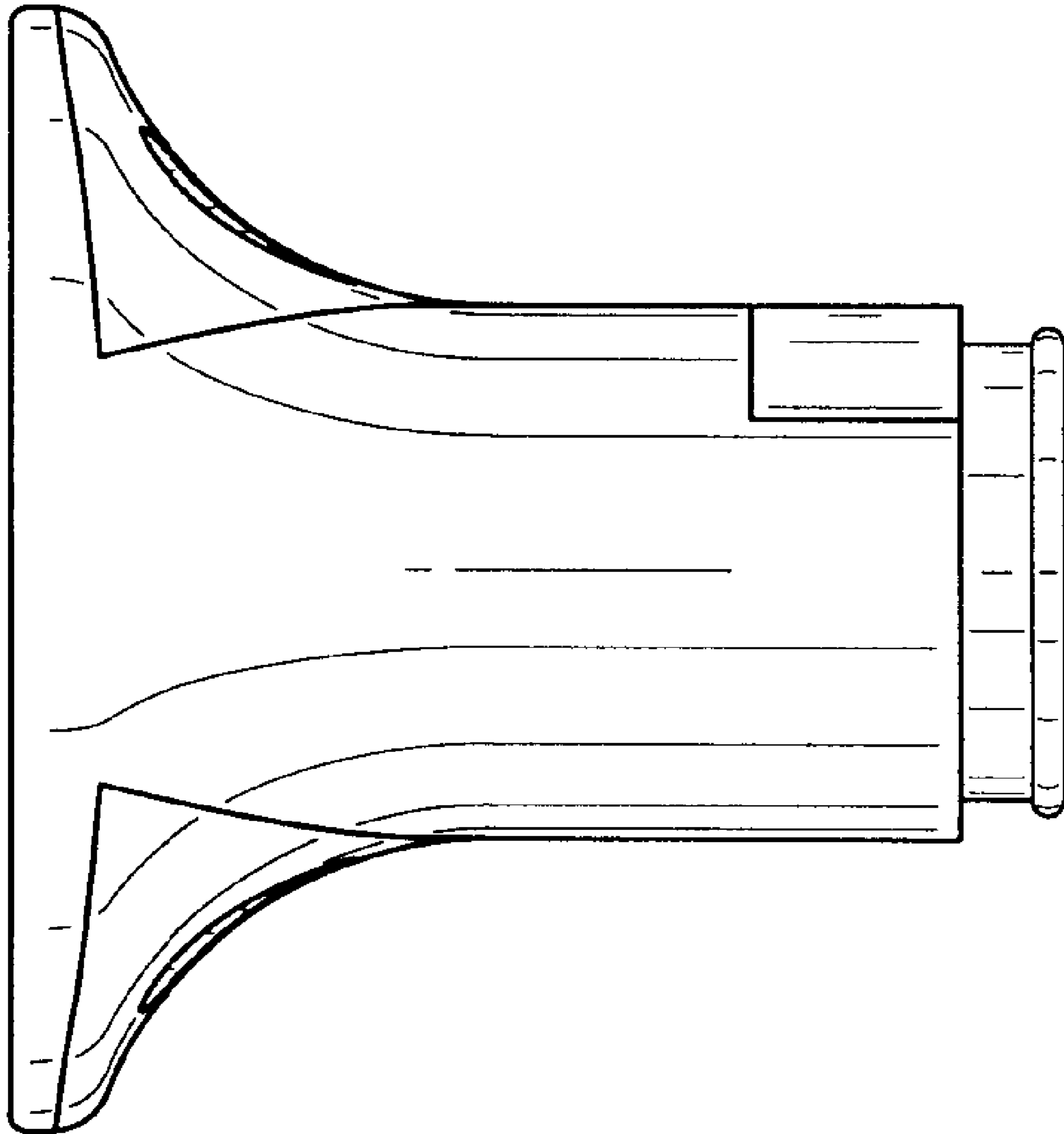


FIG. 3

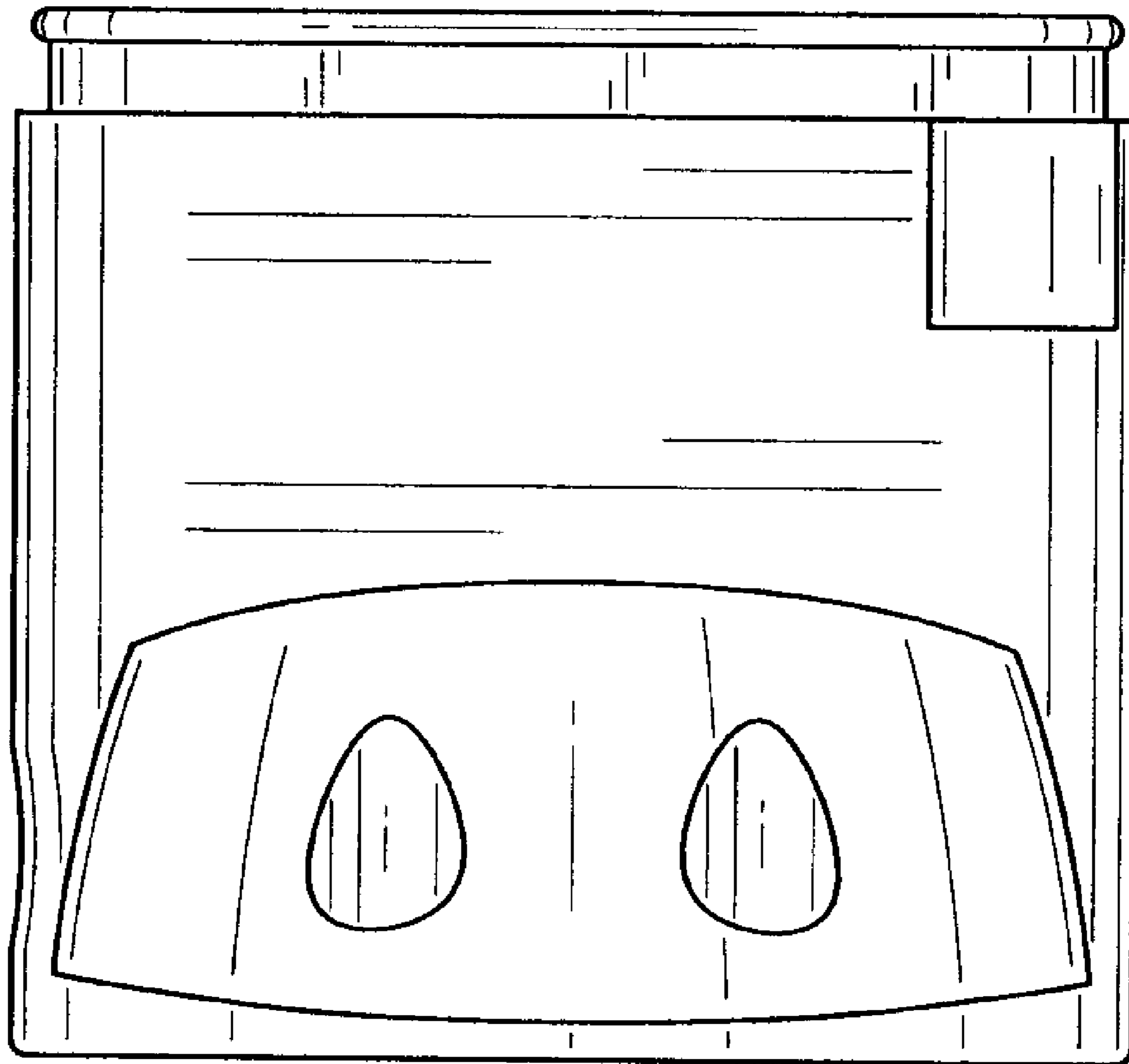


FIG. 4

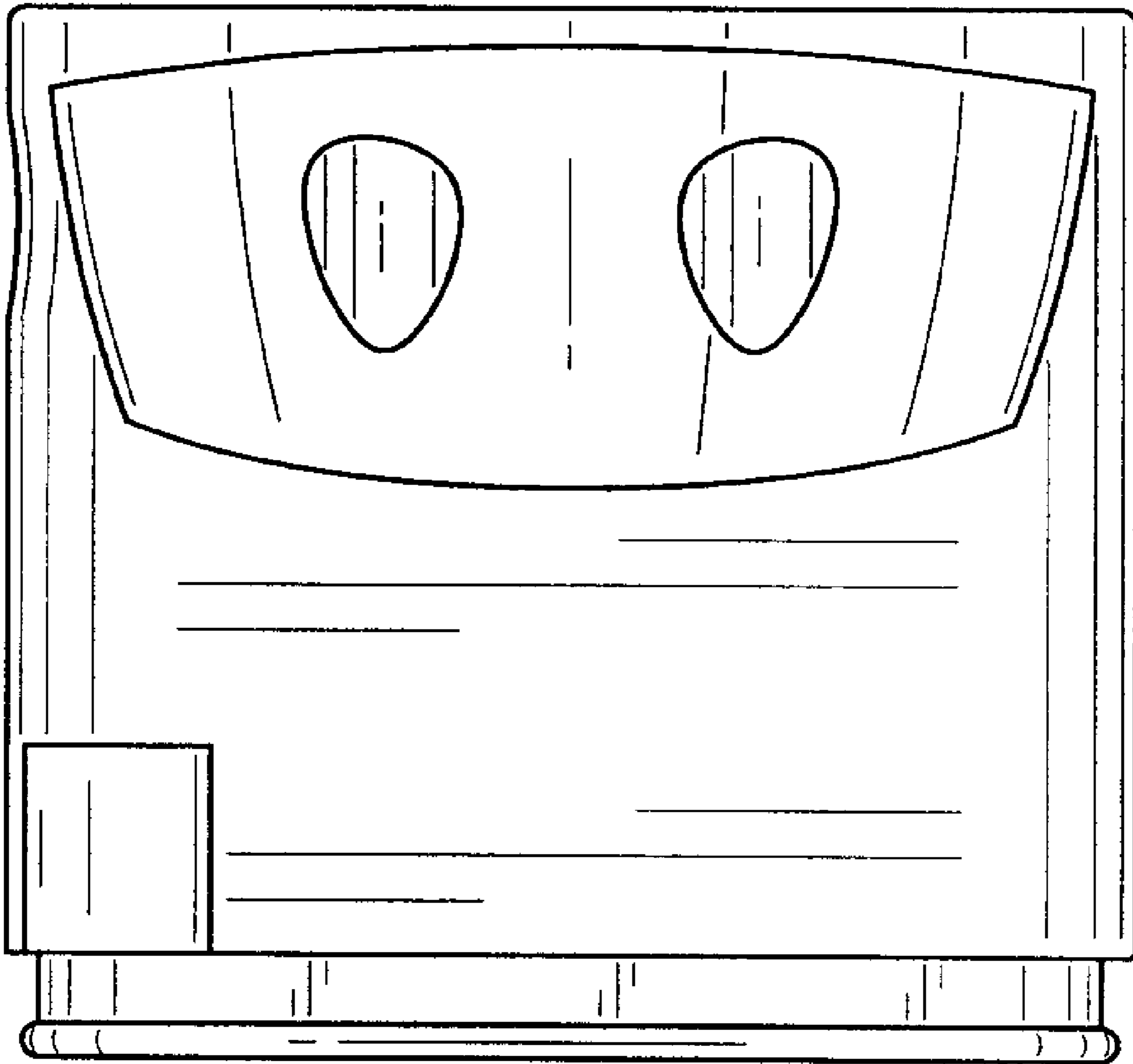


FIG. 5

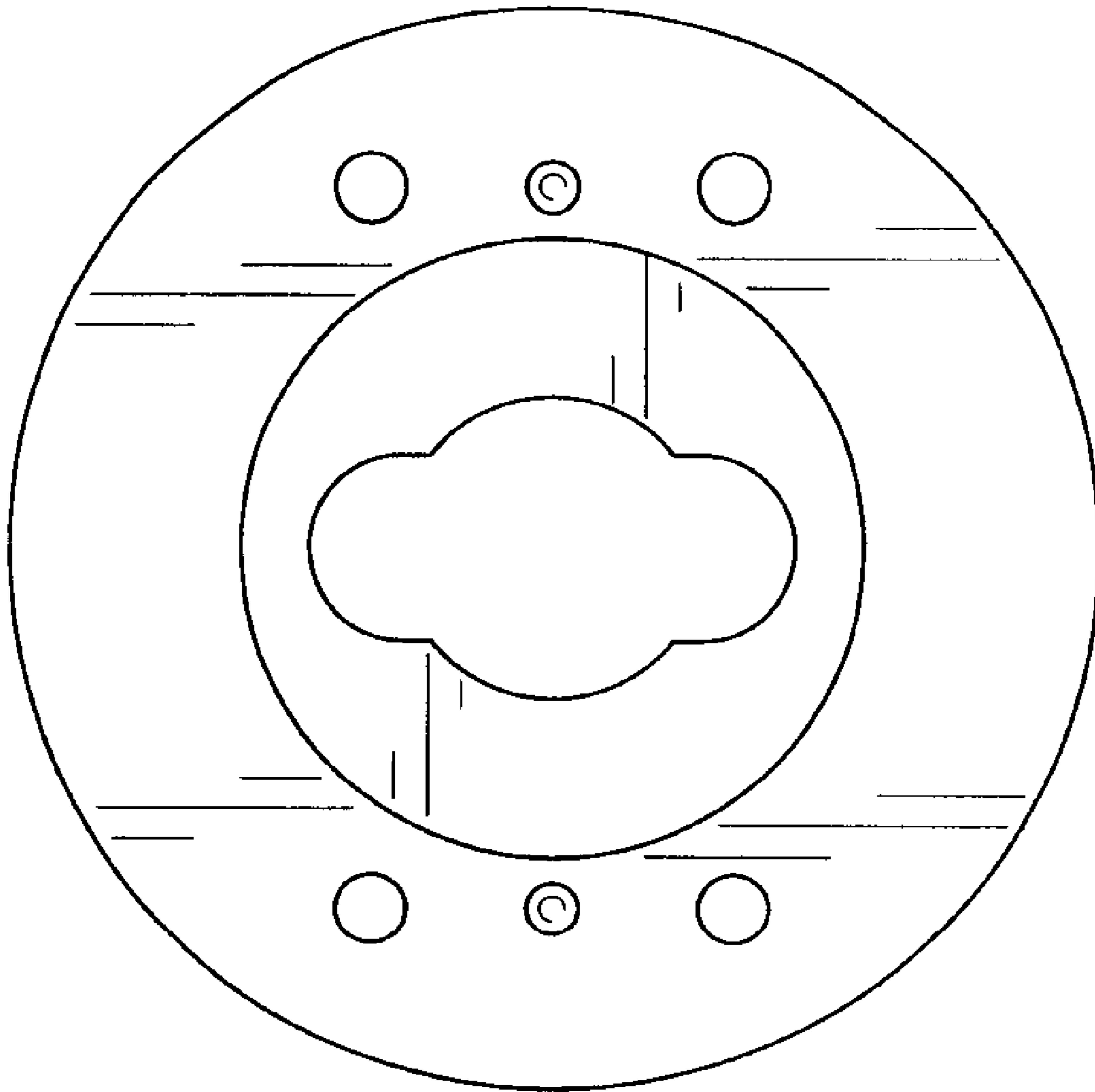


FIG. 6

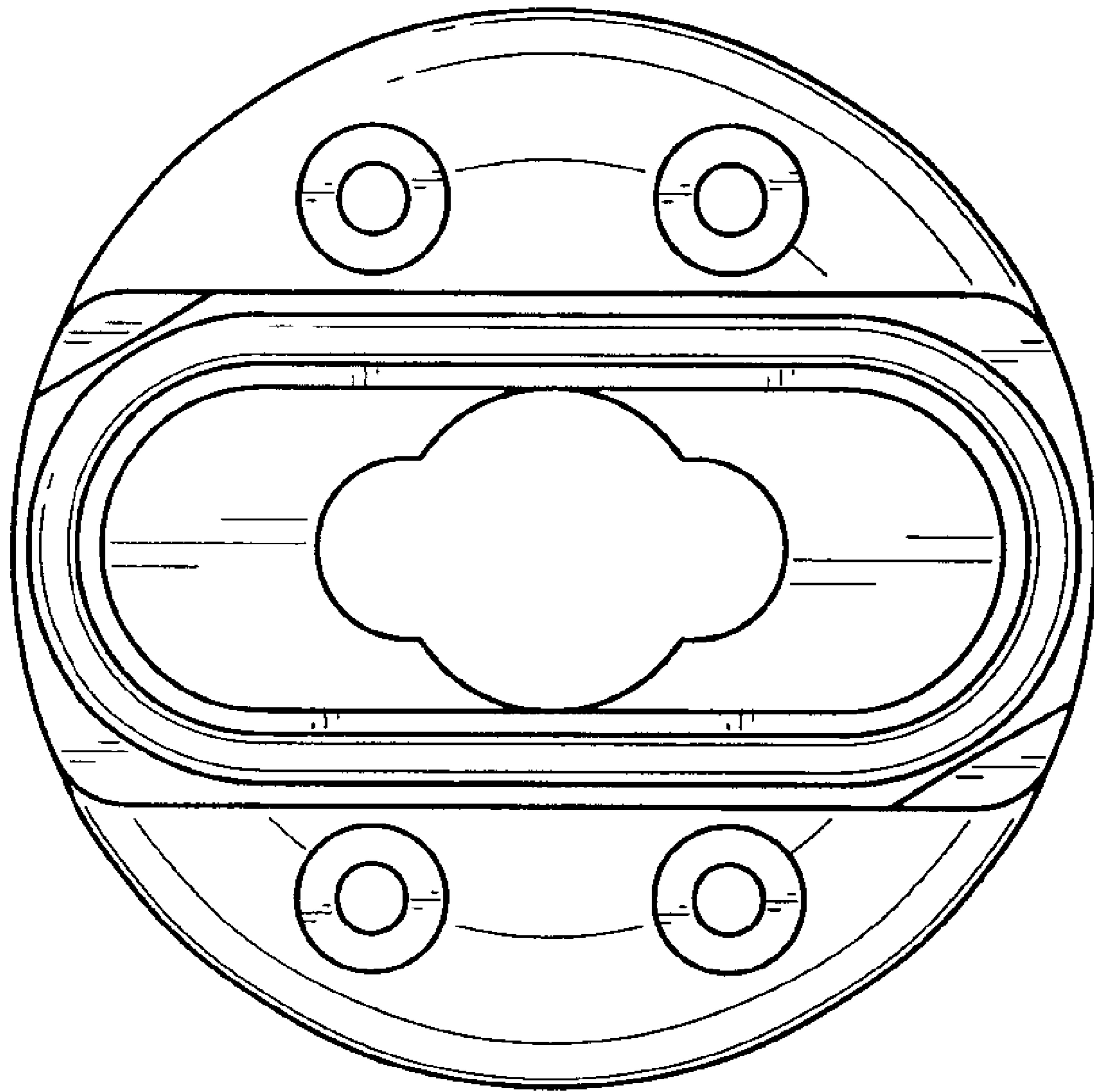


FIG. 7