



US00D518568S

(12) **United States Design Patent**
Young

(10) **Patent No.:** **US D518,568 S**

(45) **Date of Patent:** **** Apr. 4, 2006**

(54) **CEILING FAN BLADE**

(75) Inventor: **Stanfield Young**, Garden Grove, CA
(US)

(73) Assignee: **Minka Lighting, Inc.**, Corona, CA
(US)

(**) Term: **14 Years**

(21) Appl. No.: **29/203,971**

(22) Filed: **Apr. 22, 2004**

(51) **LOC (8) Cl.** **23-04**

(52) **U.S. Cl.** **D23/413**

(58) **Field of Classification Search** D23/413,
D23/377, 379, 385, 411; 416/5, 210 R
See application file for complete search history.

(56) **References Cited**

U.S. PATENT DOCUMENTS

D321,935 S	*	11/1991	Ignon	D23/413
5,462,407 A	*	10/1995	Calvo	416/132 A
D393,902 S	*	4/1998	Pickett	D23/377
D435,289 S	*	12/2000	Liu	D23/411

OTHER PUBLICATIONS

Hampton Bay Ceiling Fans; vol. 1; Spring/Summer 2004; p. 38, Mar. 2004, Home Depot, Inc., U.S.A.
Minka Aire 2004; pp. 52–53, Jan. 2004, Minka Lighting, Inc., USA.
Lamps Plus Internet Catalog; Casablanca Ventura II, Model # 89125–57276; www.lampsplus.com, May 14, 2004, Casablanca Fans.
Casablanca Internet Catalog; Avalon Blade System; Model # B31B; www.casablancafanco.com, May 14, 2004, Casablanca Fans.
Casablanca Internet Catalog; Malibu Star; Model # 23B002; www.casablancafanco.com, May 14, 2004, Casablanca Fans.

Monte Carlo Internet Catalog; Vera Cruz; Model # VC5B06, 5VC0P, 5VC0C, 5VCWH, 5VCFB, May 25, 2004, Monte Carlo Fans.

Fanimation Internet Catalog; The Islander; Model #ISC4; printed from www.fansworksoutlet.com on May 19, 2005.

Emerson Internet Catalog; Model #EMB30KH; printed from www.fansworksoutlet.com on May 19, 2005.

* cited by examiner

Primary Examiner—Lisa Lichtenstein

(74) *Attorney, Agent, or Firm*—Baker & McKenzie LLP

(57) **CLAIM**

The ornamental design for a ceiling fan blade, as shown and described.

DESCRIPTION

FIG. 1 is a perspective view from below of a ceiling fan blade in accordance with my design, including the environment thereof;

FIG. 2 is a bottom plan view of the ceiling fan blade in accordance with my design;

FIG. 3 is a top plan view of the ceiling fan blade in accordance with my design;

FIG. 4 is a proximal end view of the ceiling fan blade in accordance with my design;

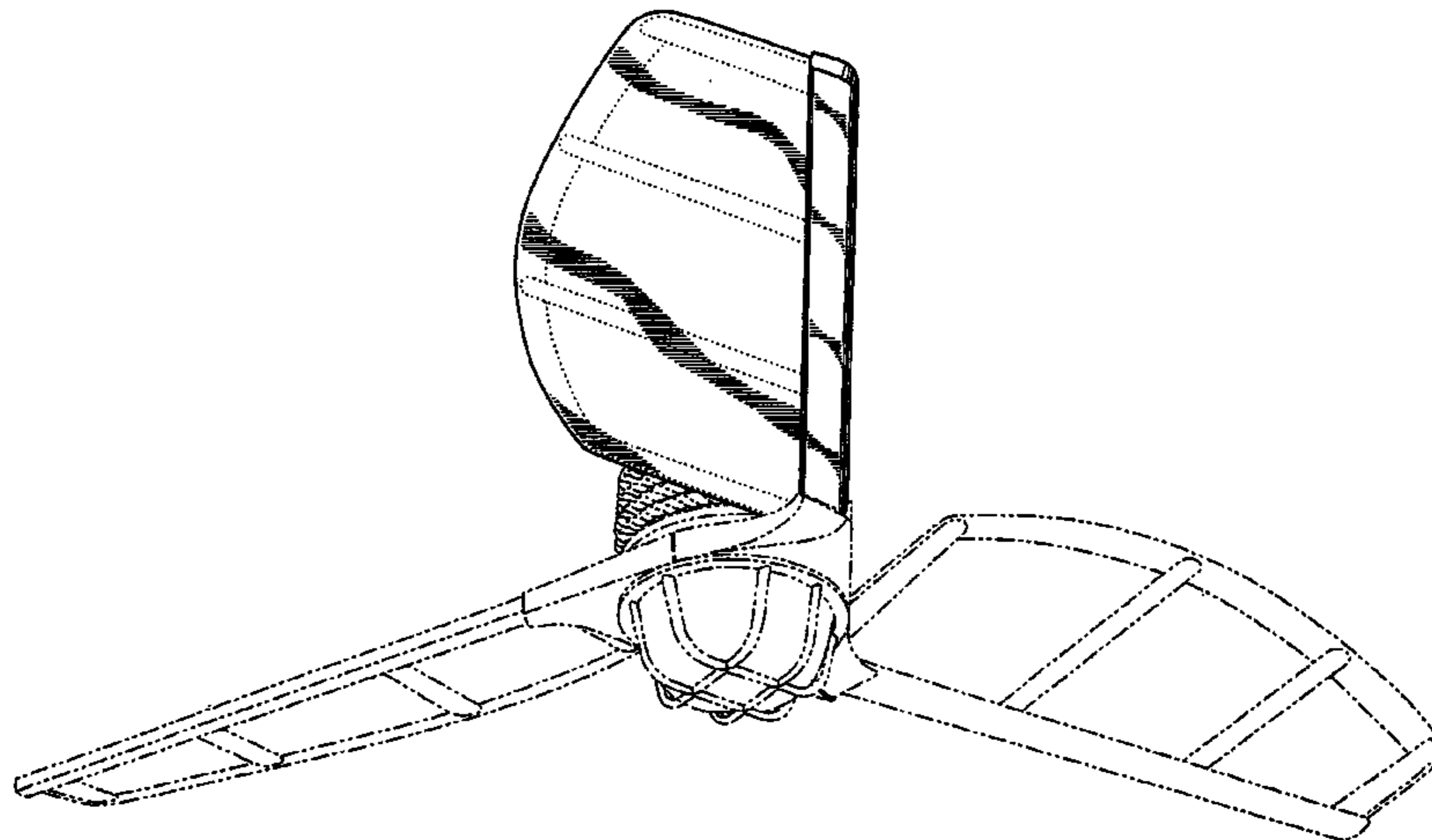
FIG. 5 is a side elevation view of the ceiling fan blade in accordance with my design;

FIG. 6 is a perspective view from above of a ceiling fan blade in accordance with my design, including the environment thereof; and,

FIG. 7 is a perspective view from below of a ceiling fan blade in accordance with my design, including the environment thereof.

The broken lines showing environmental structure are for illustrative purposes and form no part of the claimed design.

1 Claim, 3 Drawing Sheets



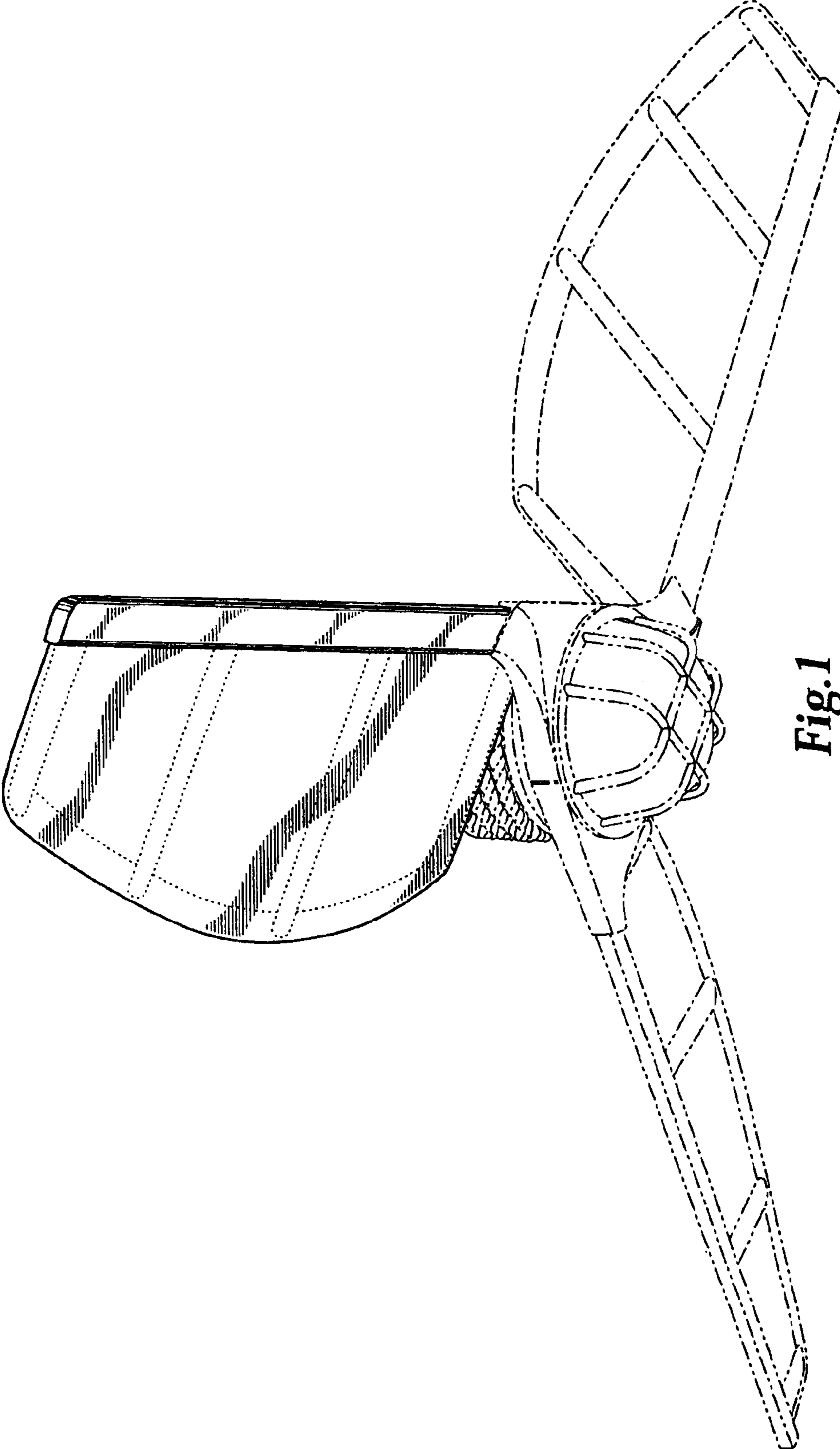


Fig. 1

