



US00D518566S

(12) **United States Design Patent**
Bratton et al.

(10) **Patent No.: US D518,566 S**

(45) **Date of Patent: ** Apr. 4, 2006**

(54) **FLOOR REGISTER**

D452,305 S * 12/2001 Webb D23/393
D468,417 S * 1/2003 Leutz et al. D23/393

(75) Inventors: **Tom Bratton**, Carmel, IN (US);
Tammy R. McKnight, Carthage, IN
(US)

* cited by examiner

Primary Examiner—Catherine R. Oliver

(73) Assignee: **Deflecto Corporation**, Indianapolis, IN
(US)

(74) *Attorney, Agent, or Firm*—Sonnenschein Nath &
Rosenthal LLP; Brian R. McGinley

(**) Term: **14 Years**

(57) **CLAIM**

The ornamental design for an floor register, as shown and
described.

(21) Appl. No.: **29/206,057**

(22) Filed: **May 24, 2004**

DESCRIPTION

(51) **LOC (8) Cl.** **23-04**

(52) **U.S. Cl.** **D23/388**

(58) **Field of Classification Search** D23/388,
D23/391–393, 386–389, 328–329, 499, 341,
D23/354, 369; 454/284, 289, 271, 278, 290
See application file for complete search history.

FIG. 1 is a perspective view of a floor register showing the
new design;

FIG. 2 is a top plan view of the floor register shown in FIG.
1;

FIG. 3 is a bottom plan view of the floor register shown in
FIG.1; and

FIG. 4 is a front elevational view of the floor register shown
in FIG. 1 (the rear elevational view of the invention is a
mirror image of the front elevational view shown in FIG. 4);
and,

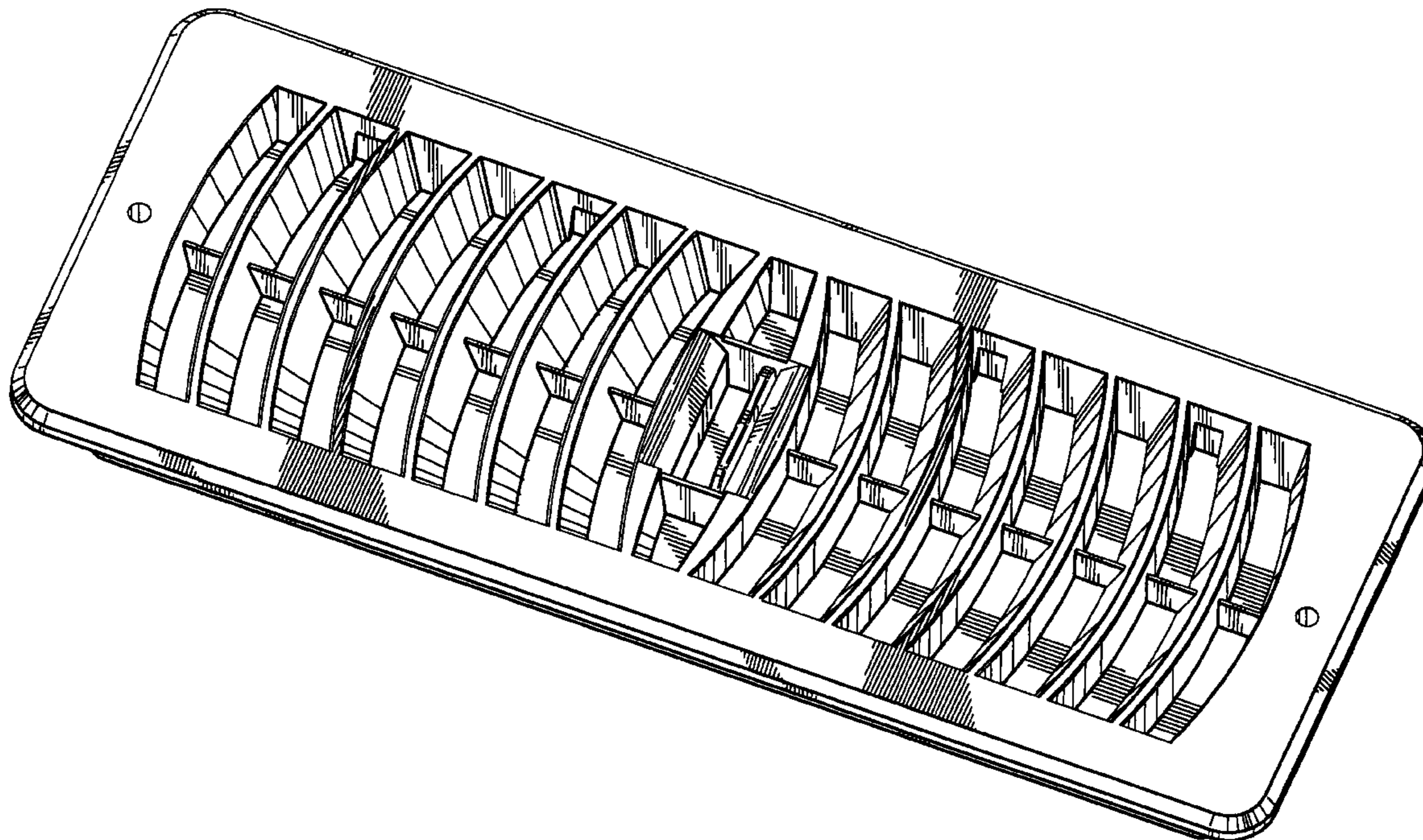
FIG. 5 is a left, side elevational view of the floor register
shown in FIG. 1 (the right, side elevational view of the
invention is a mirror image of the left, side elevational view
shown in FIG. 5).

(56) **References Cited**

U.S. PATENT DOCUMENTS

D128,109 S * 7/1941 De Roo et al. D23/392
D288,959 S * 3/1987 Schulz D23/392
D315,790 S 3/1991 Koessler D23/388
D358,205 S 5/1995 Ruhland D23/393
D378,852 S * 4/1997 Smolarski D23/388
D393,708 S * 4/1998 Assadi D23/388
D451,591 S * 12/2001 Webb D23/393

1 Claim, 4 Drawing Sheets



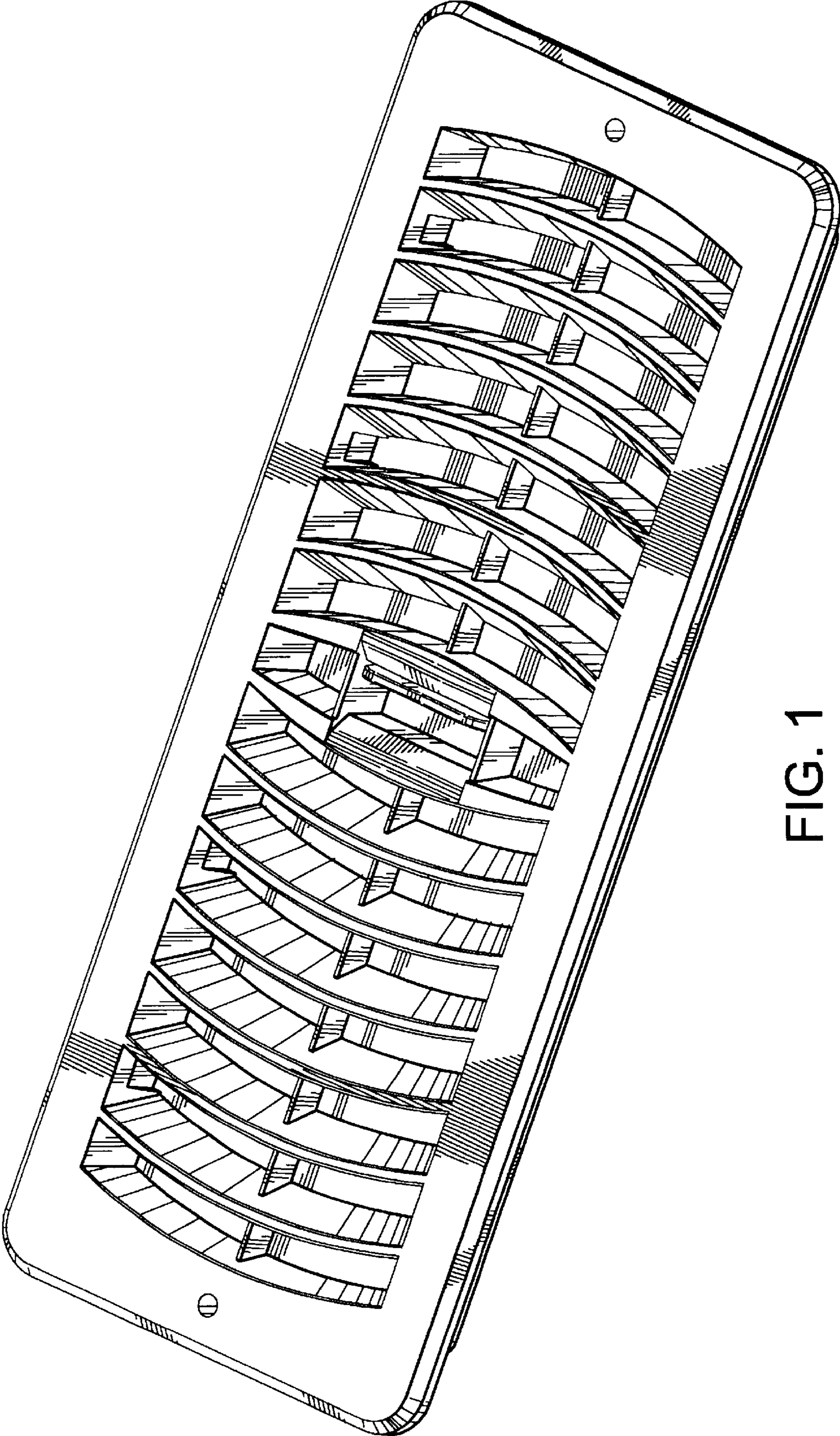


FIG. 1

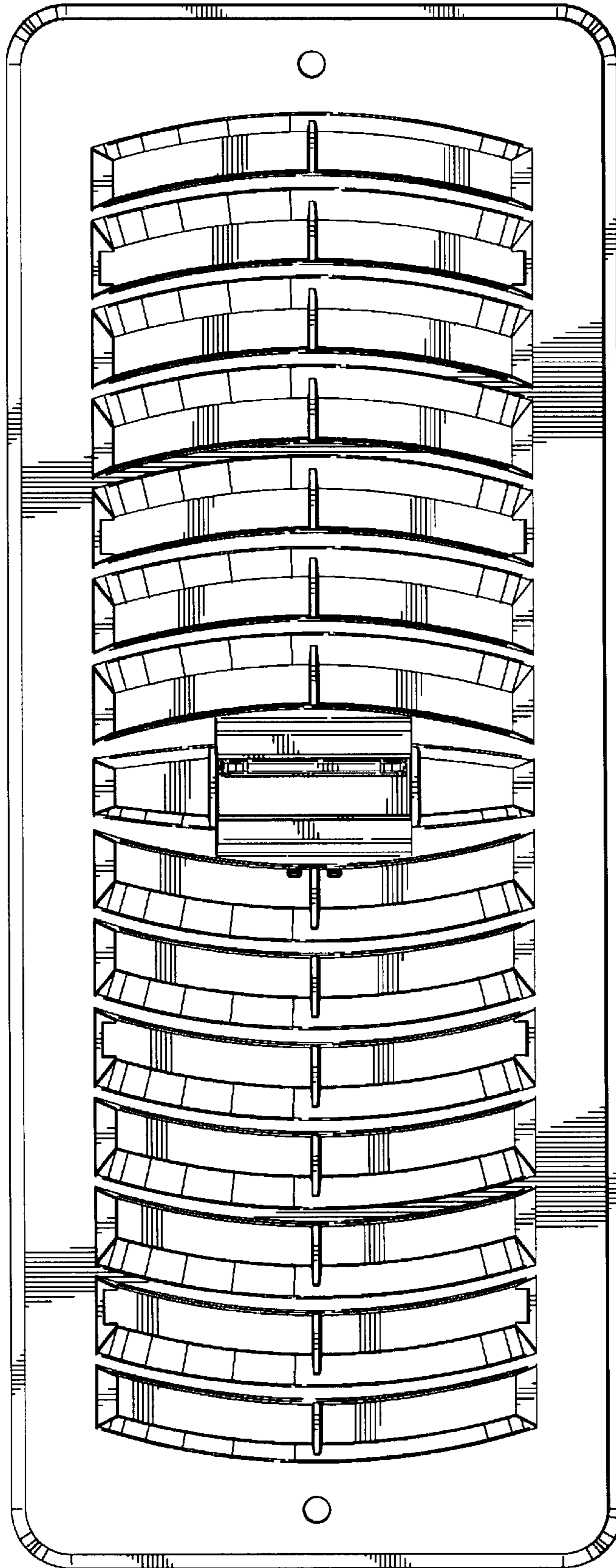


FIG. 2

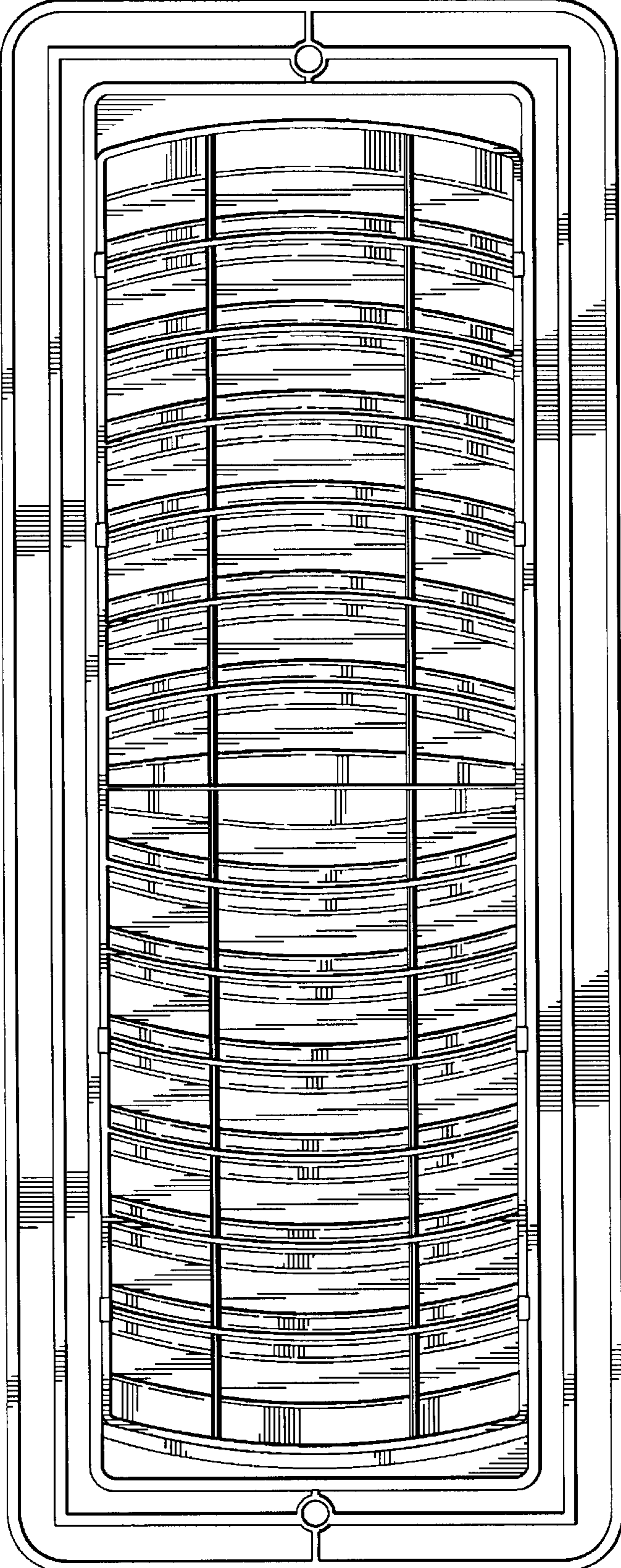


FIG. 3

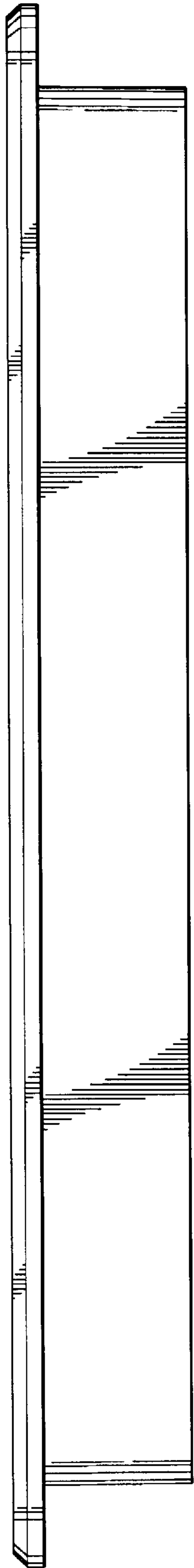


FIG. 4



FIG. 5