



US00D518565S

(12) **United States Design Patent**
Chen

(10) **Patent No.:** **US D518,565 S**

(45) **Date of Patent:** **** Apr. 4, 2006**

(54) **AROMA DISPENSING DEVICE**

(76) **Inventor:** **Wen Jye Chen**, 1Fl., 15, Lane 191,
Xinhu 2nd Road, Neihu, Taipei (TW)

(**) **Term:** **14 Years**

(21) **Appl. No.:** **29/229,477**

(22) **Filed:** **May 4, 2005**

(51) **LOC (8) Cl.** **23-04**

(52) **U.S. Cl.** **D23/366**

(58) **Field of Classification Search** 342/389–394,
342/398, 401, 403, 405, 406; 239/135, 136,
239/34, 37, 41, 42, 53, 56–58; 261/DIG. 17,
261/DIG. 65, DIG. 88, DIG. 89; D23/355–369
See application file for complete search history.

(56) **References Cited**

U.S. PATENT DOCUMENTS

D372,768 S	*	8/1996	Miller et al.	D23/366
D390,941 S	*	2/1998	Cessaroni et al.	D23/367
D473,638 S	*	4/2003	Cruver, IV	D23/366
D480,792 S	*	10/2003	Millan	D23/366
D481,787 S	*	11/2003	Millan	D23/366

6,859,615 B1	*	2/2005	Yip et al.	392/395
6,862,403 B1	*	3/2005	Pedrotti et al.	392/395
D508,284 S	*	8/2005	Butler et al.	D23/366
2003/0138241 A1	*	7/2003	Pedrotti et al.	392/395
2004/0145067 A1	*	7/2004	Millan	261/26

* cited by examiner

Primary Examiner—Sandra S. Snapp

(74) *Attorney, Agent, or Firm*—Pro-Techtor Int’l Services

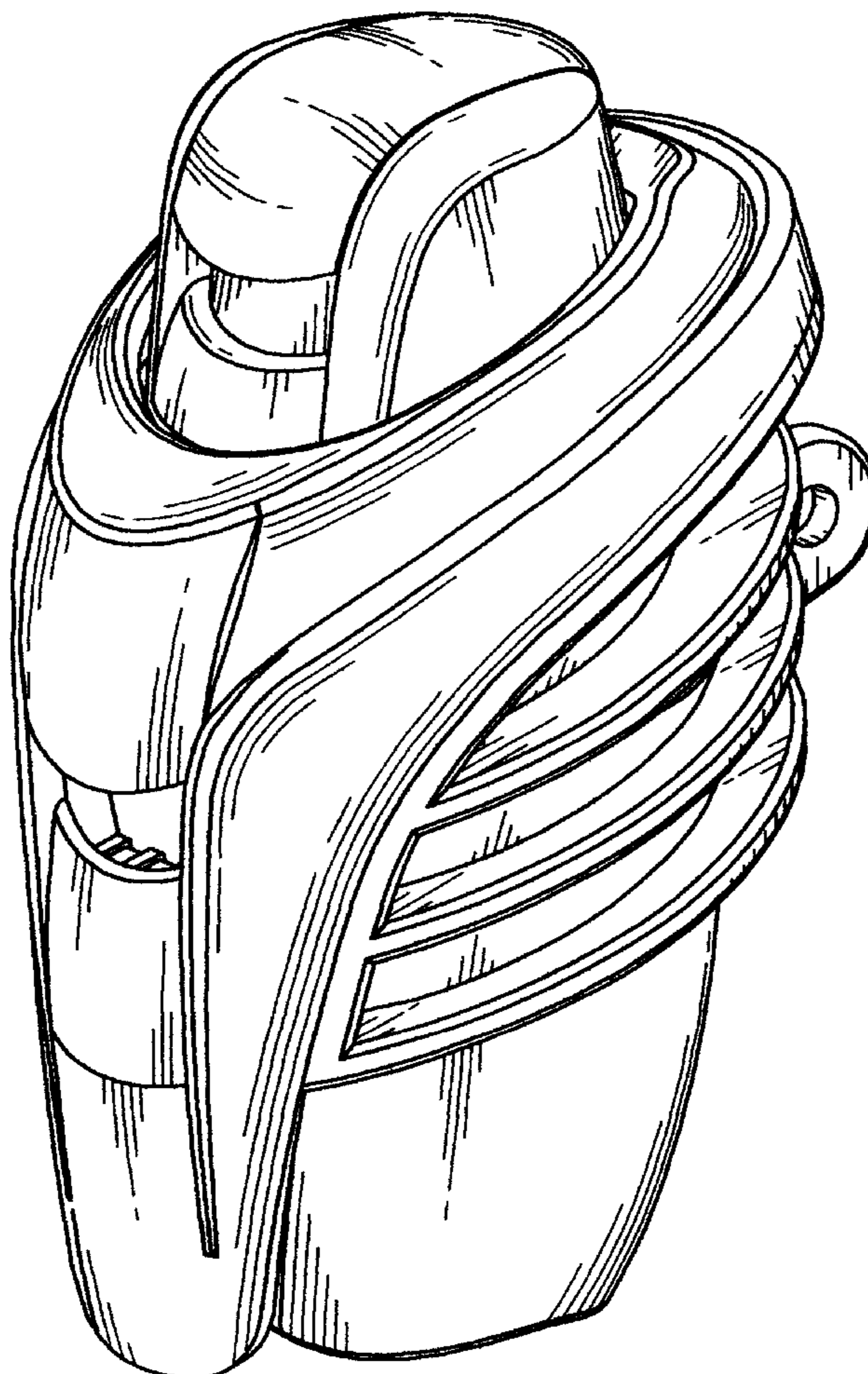
(57) **CLAIM**

The ornamental design for an aroma dispensing device, as shown and described.

DESCRIPTION

FIG. 1 is a front perspective view of an aroma dispensing device showing my new design;
FIG. 2 is a front elevation view thereof;
FIG. 3 is a rear elevation view thereof;
FIG. 4 is a left side elevation view thereof;
FIG. 5 is a right side elevation view thereof;
FIG. 6 is a top plan view thereof; and,
FIG. 7 is a bottom plan view thereof.

1 Claim, 7 Drawing Sheets



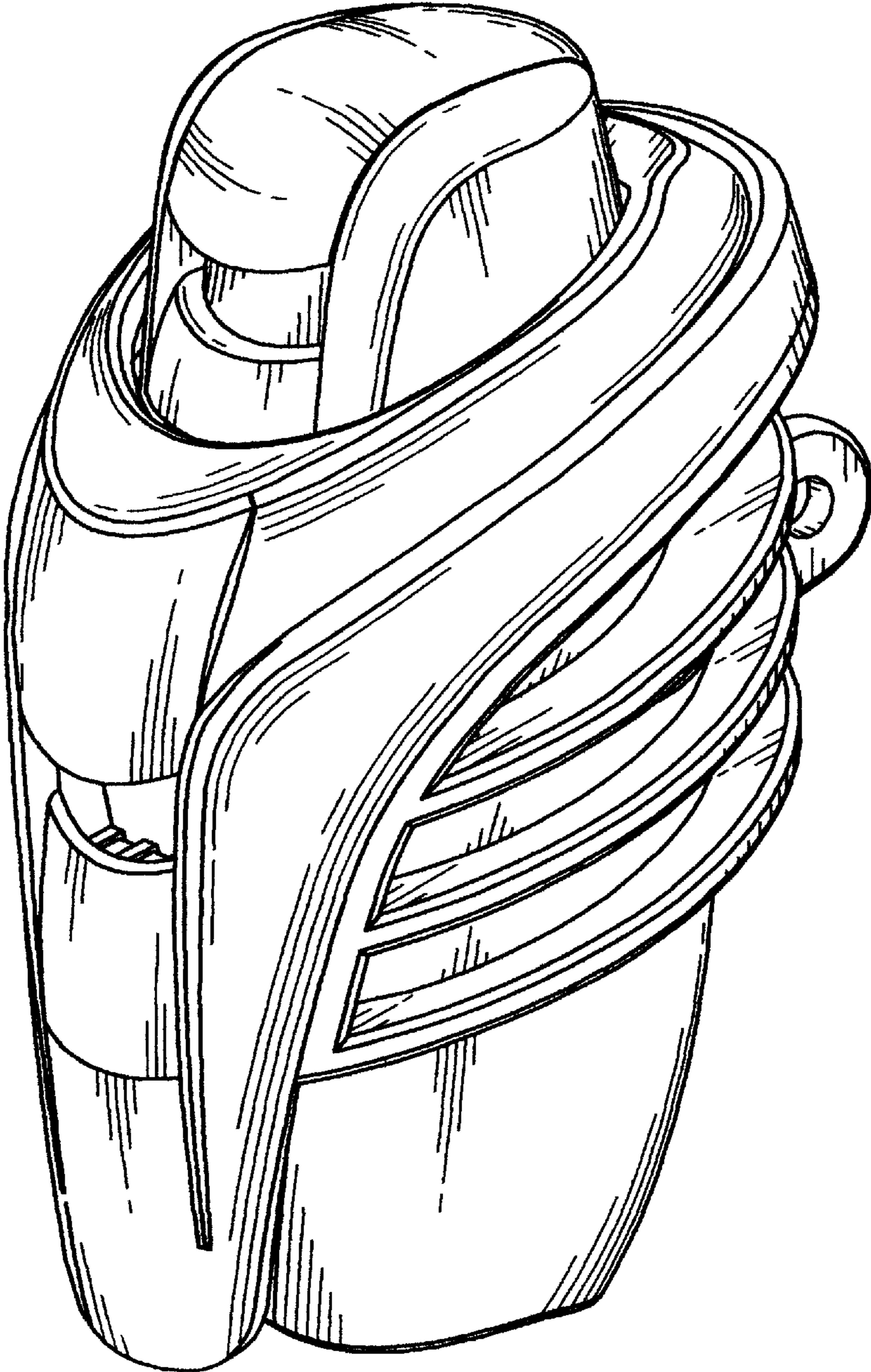


FIG. 1

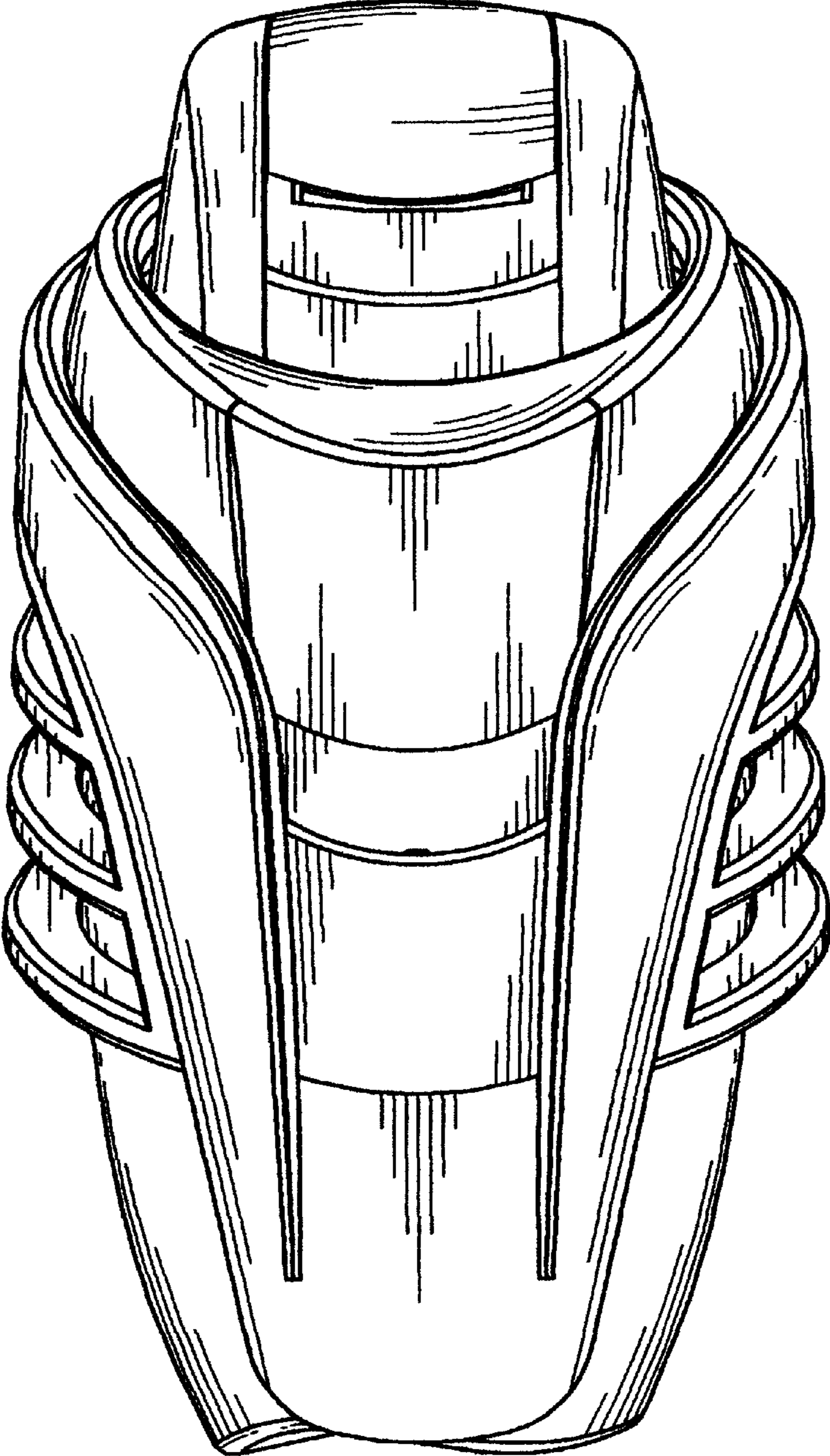


FIG. 2

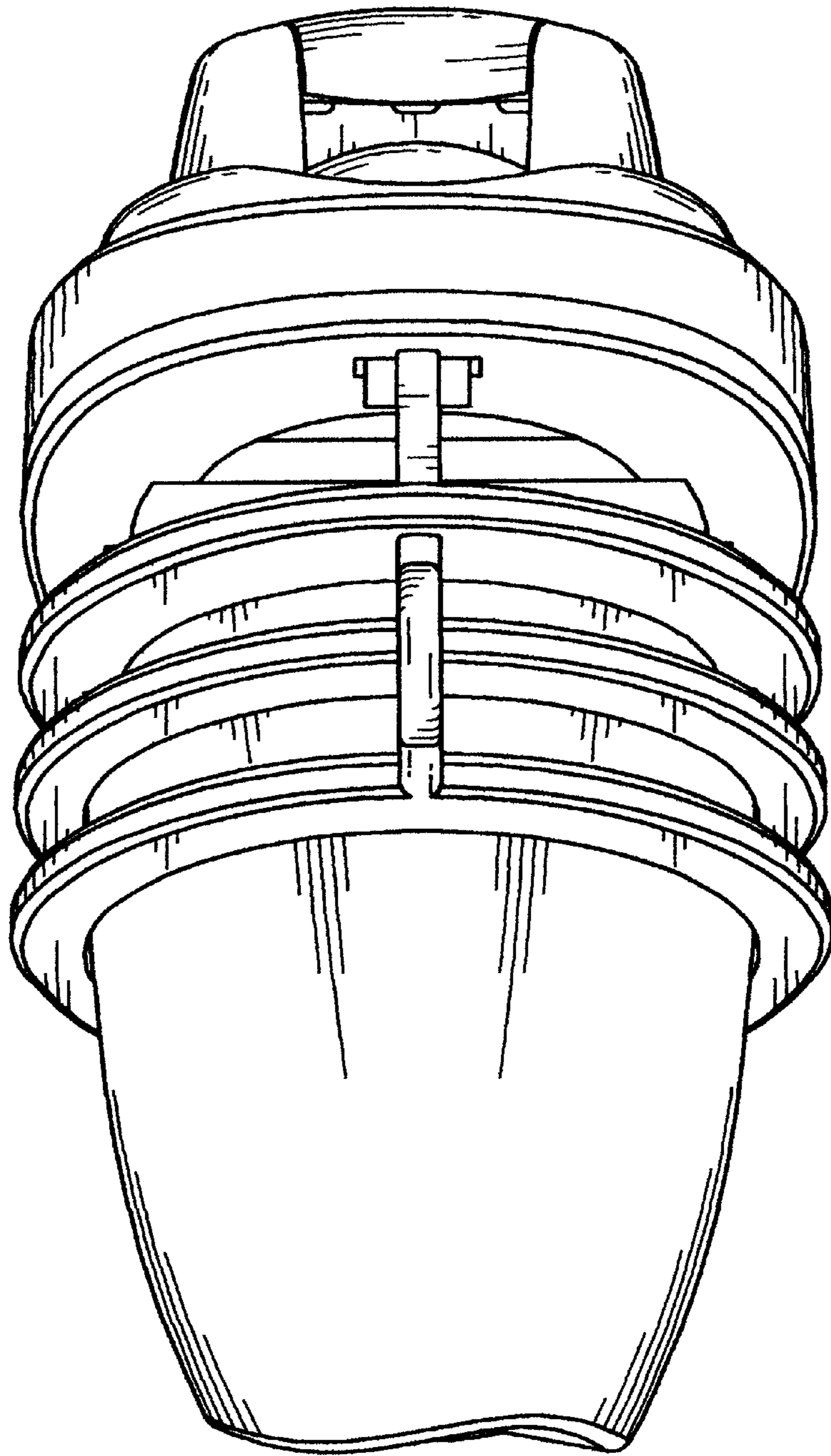


FIG. 3

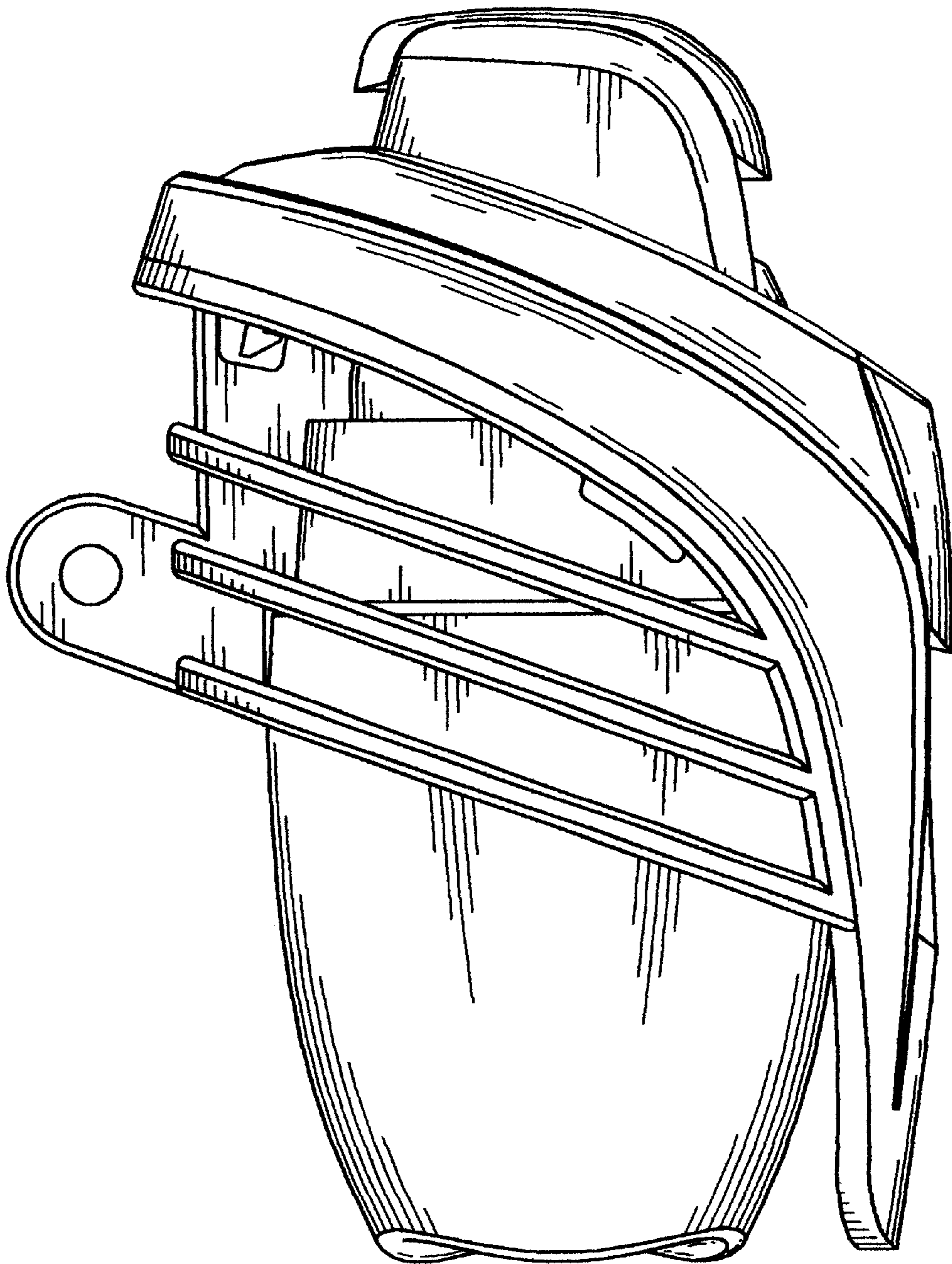


FIG. 4

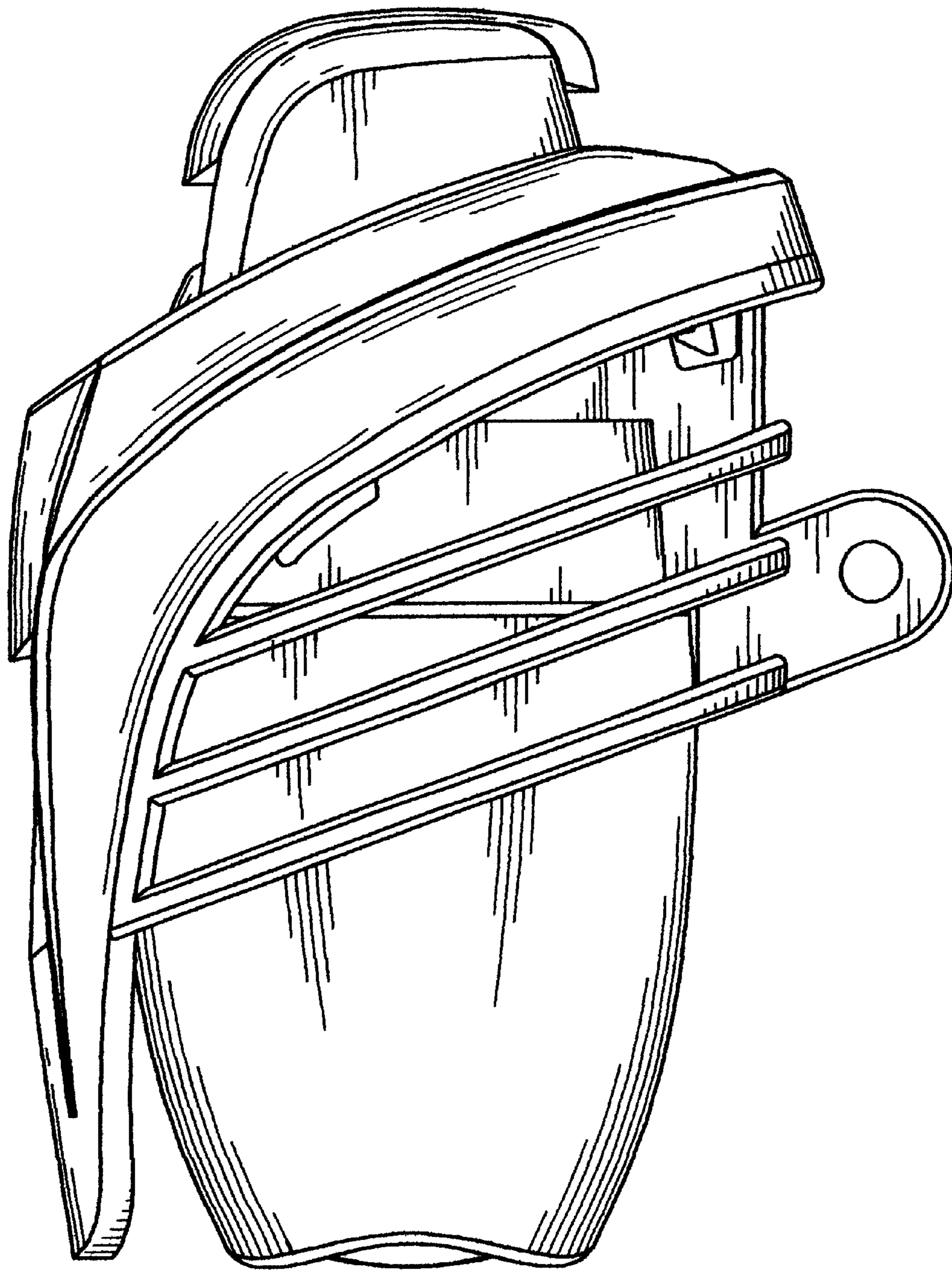


FIG. 5

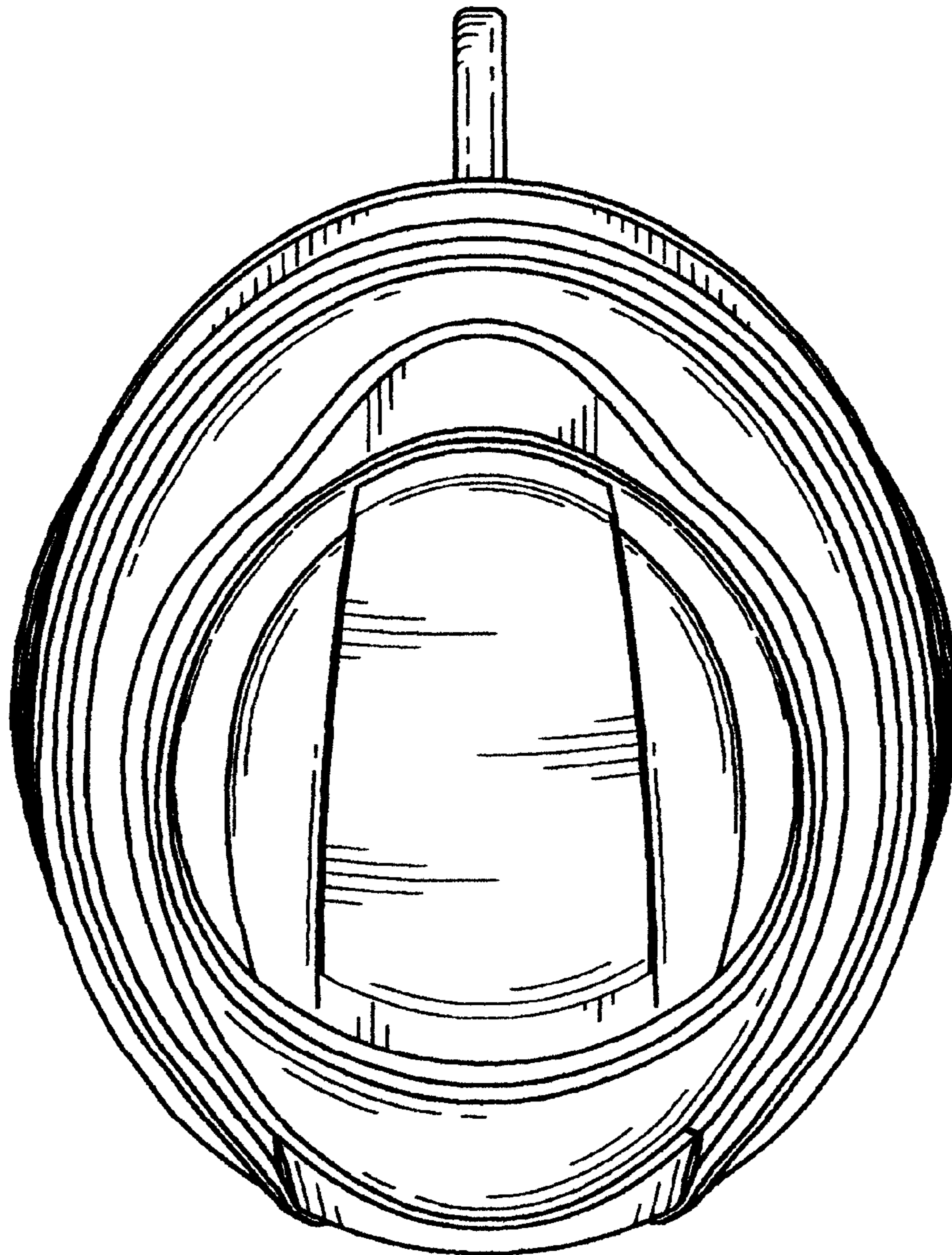


FIG. 6

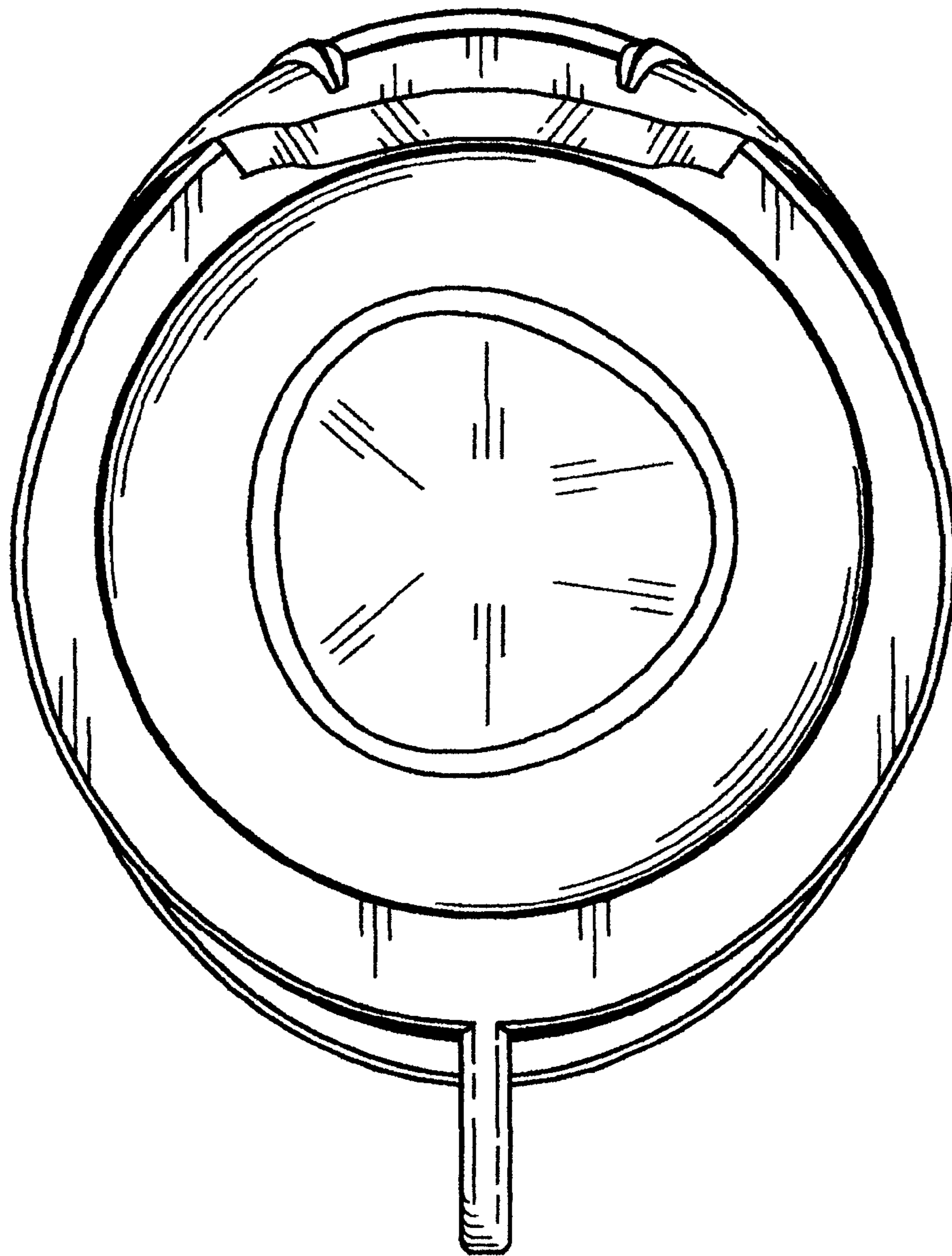


FIG. 7