



US00D518561S

(12) **United States Design Patent**
Gordon

(10) **Patent No.:** **US D518,561 S**

(45) **Date of Patent:** **** Apr. 4, 2006**

(54) **SINK**

(75) Inventor: **William F. Gordon**, Sheboygan Falls, WI (US)

(73) Assignee: **Kohler Co.**, Kohler, WI (US)

(**) Term: **14 Years**

(21) Appl. No.: **29/222,133**

(22) Filed: **Jan. 26, 2005**

(51) **LOC (8) Cl.** **23-02**

(52) **U.S. Cl.** **D23/290**

(58) **Field of Classification Search** D23/270-273,
D23/284-286, 292-293.1, 303, 290, 308;
4/662-666, 619, 637-642, 661

See application file for complete search history.

(56) **References Cited**

U.S. PATENT DOCUMENTS

D319,301 S	8/1991	Ris
D464,125 S	10/2002	Bayer et al.
D482,106 S	11/2003	Ziemann et al.

Primary Examiner—Robert A. Delehanty

(74) *Attorney, Agent, or Firm*—Quarles & Brady LLP

(57) **CLAIM**

The ornamental design for a sink, as shown and described.

DESCRIPTION

In a preferred embodiment, the nature of this product is as a plumbing fixture in the form of a kitchen sink.

FIG. 1 is a right, top, front perspective view of a sink according to my new design;

FIG. 2 is a top plan view thereof;

FIG. 3 is a front elevational view thereof;

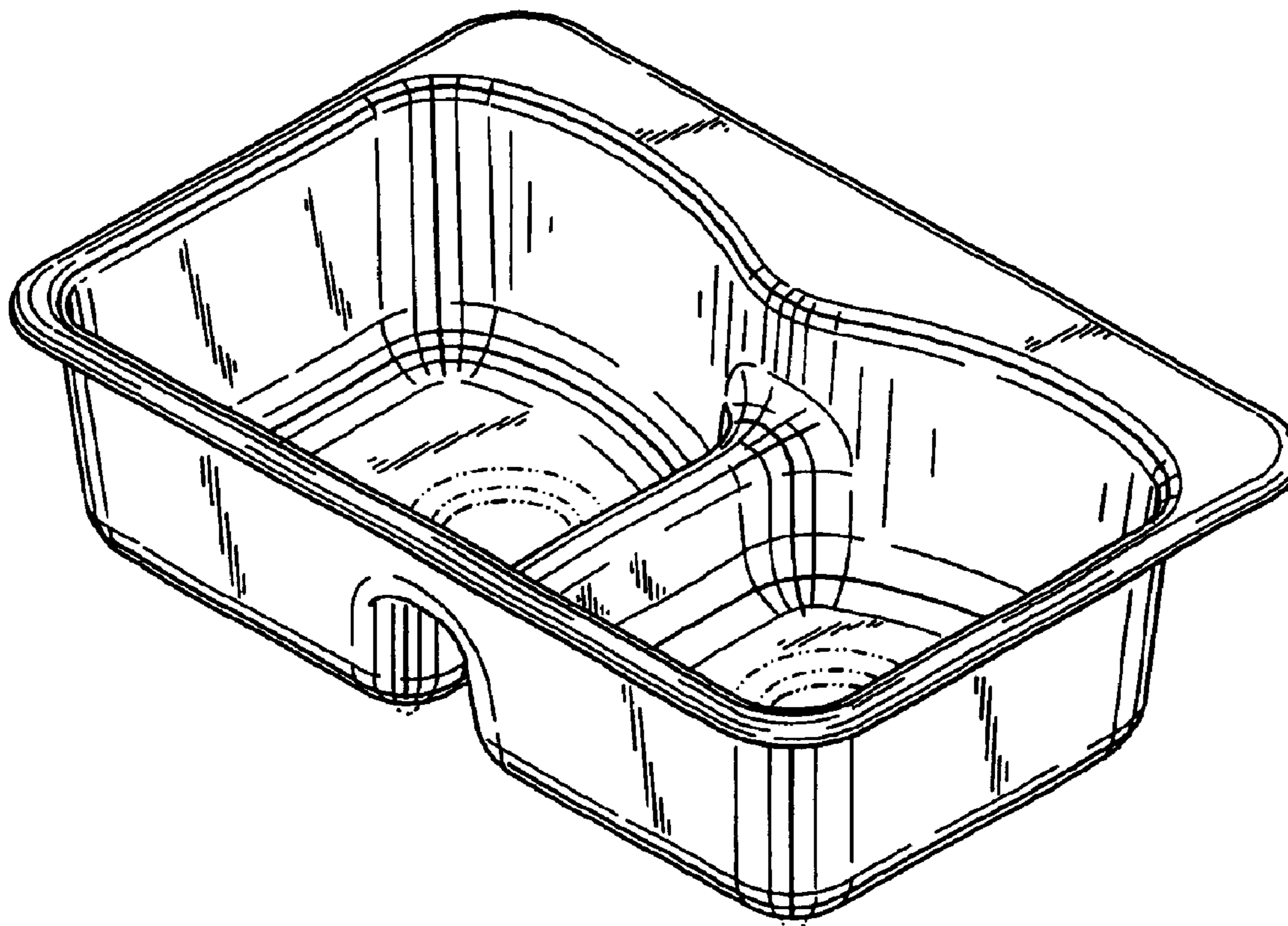
FIG. 4 is a rear elevational view thereof;

FIG. 5 is a right side elevational view thereof, the left side elevational view thereof being a mirror image of the right side shown; and,

FIG. 6 is a bottom plan view thereof.

The broken line representations of drain openings and/or bottom structures in the figures are for the purpose of illustration only, and form no part of the claimed design.

1 Claim, 3 Drawing Sheets



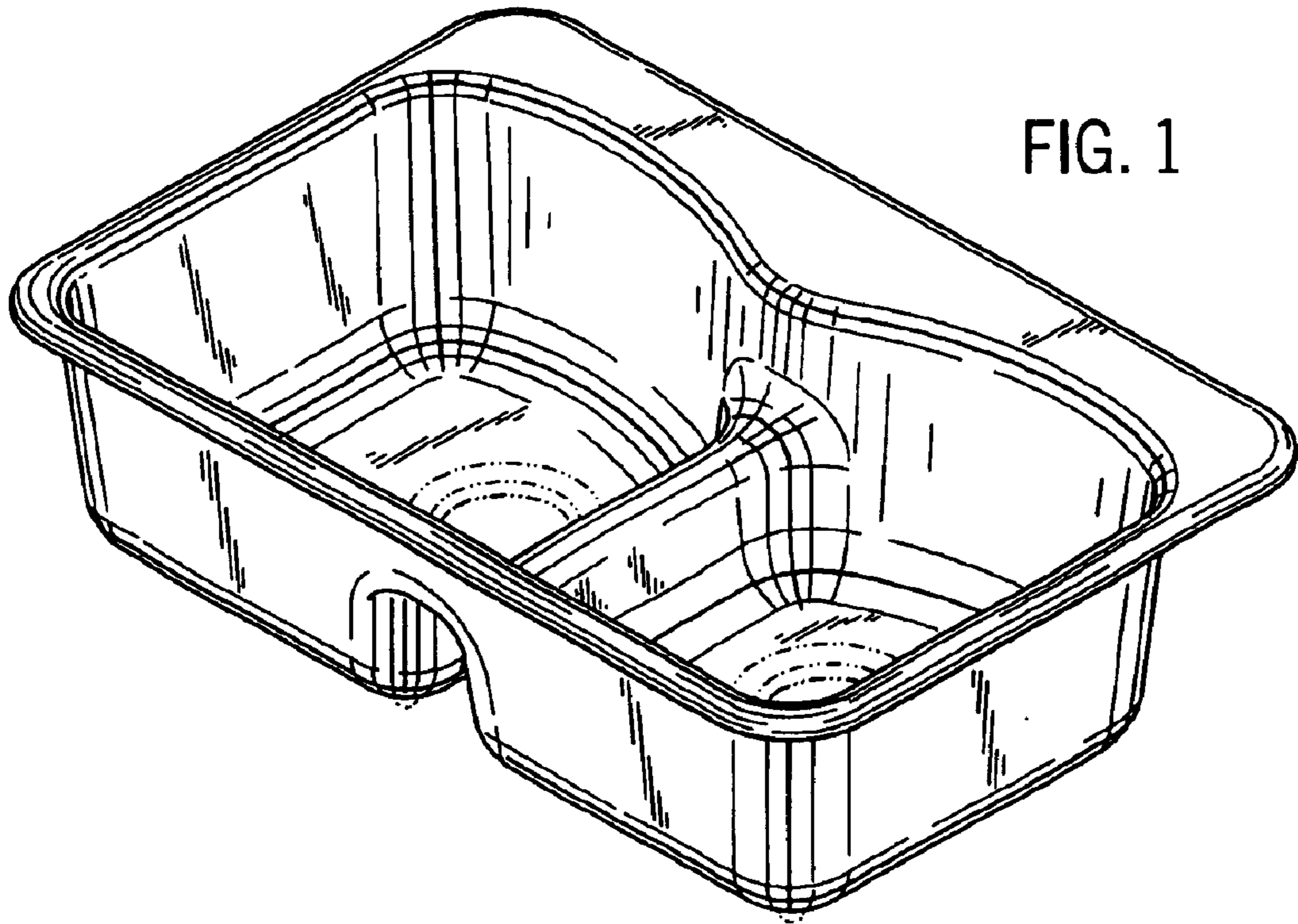


FIG. 1

FIG. 2

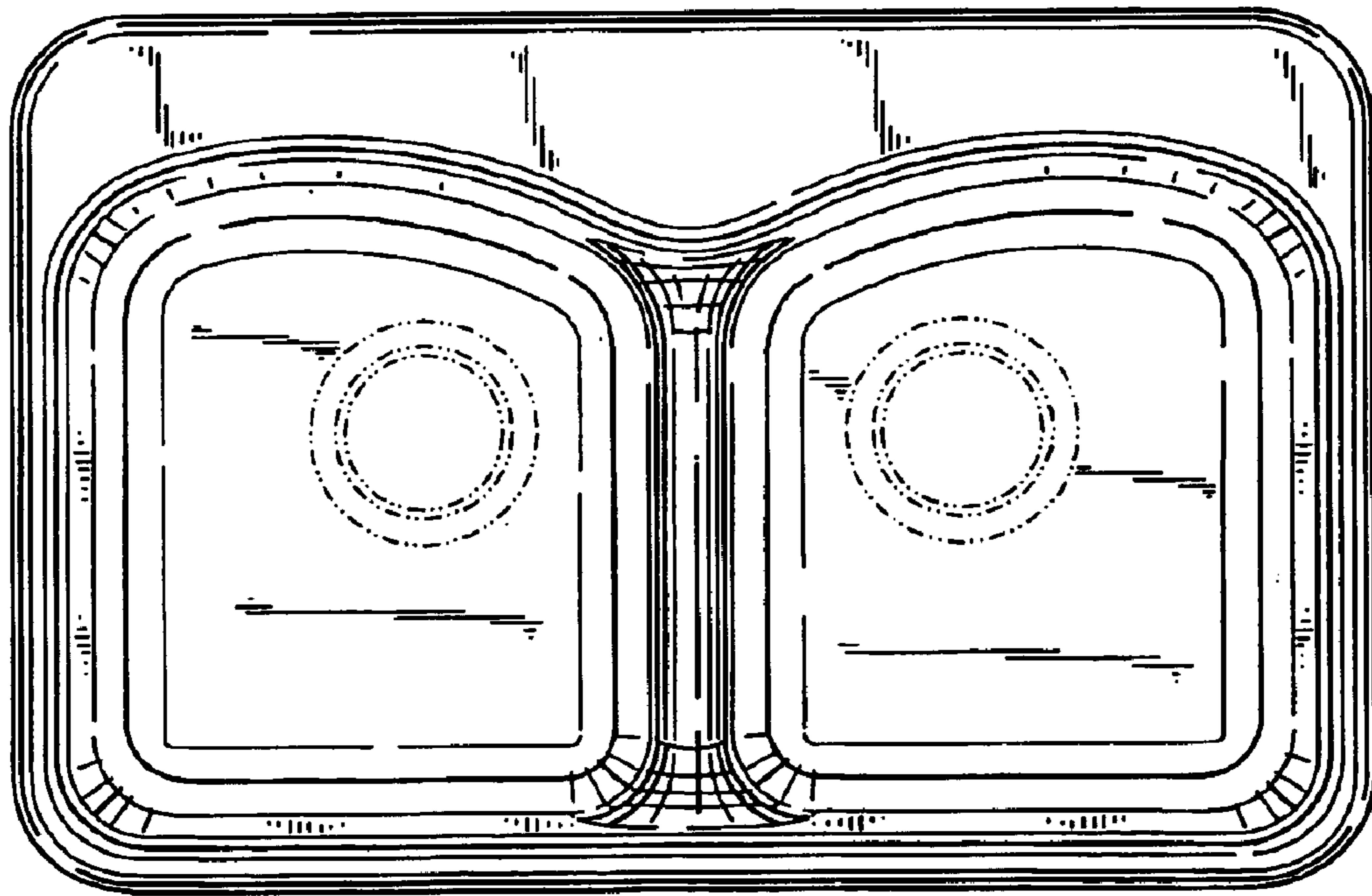


FIG. 3

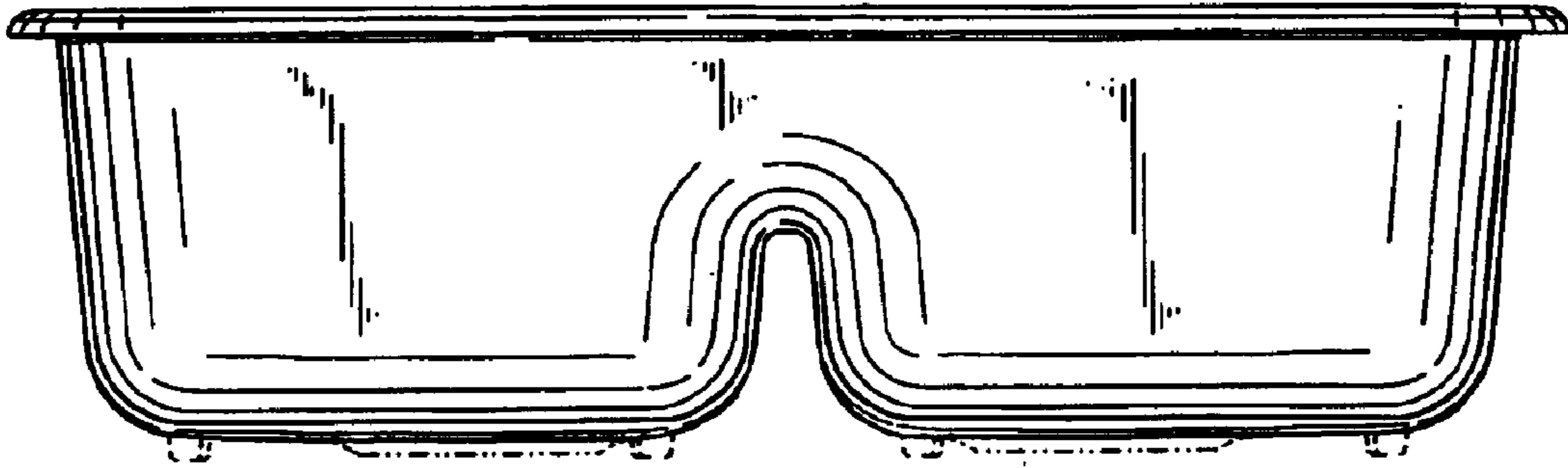


FIG. 4

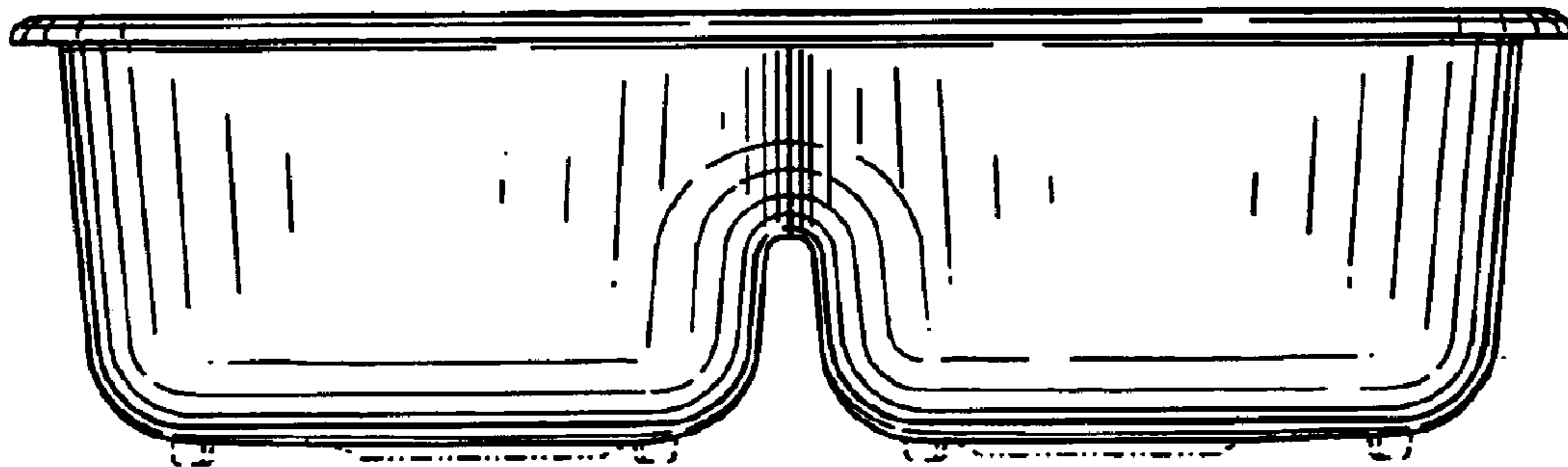
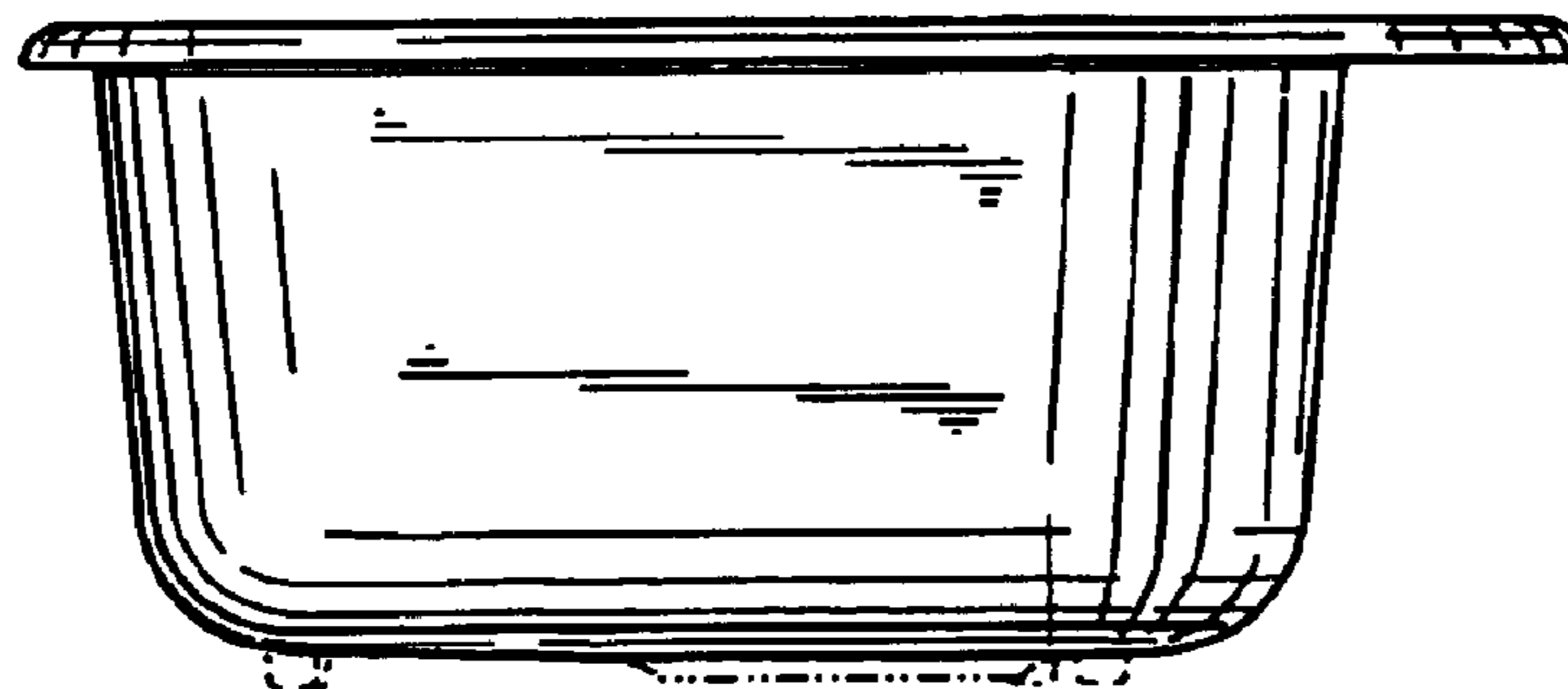


FIG. 5



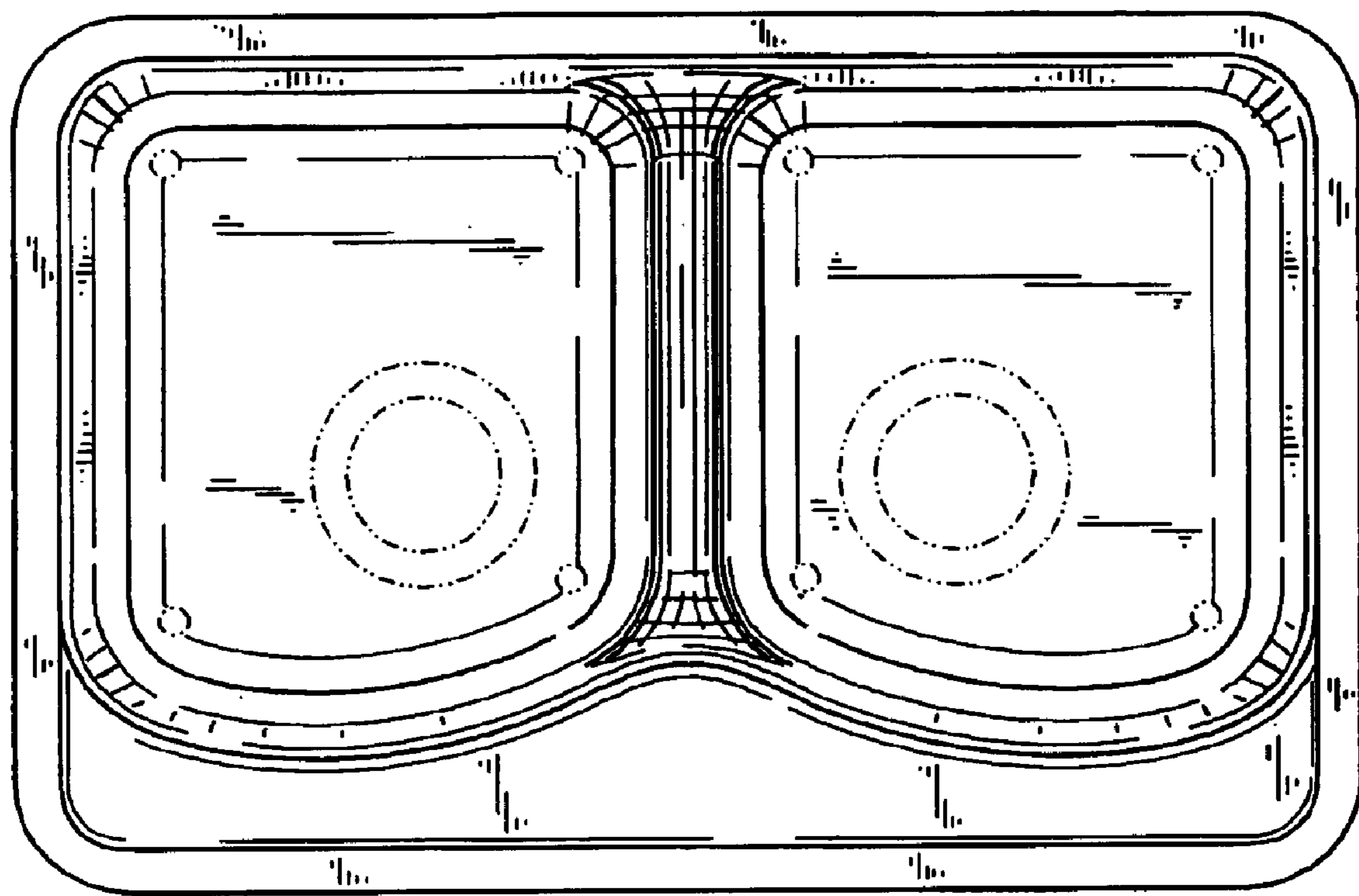


FIG. 6