



US00D518559S

(12) **United States Design Patent**
Østergaard et al.

(10) **Patent No.:** **US D518,559 S**
(45) **Date of Patent:** **** Apr. 4, 2006**

(54) **SEAL**

FOREIGN PATENT DOCUMENTS

(75) Inventors: **Inge Østergaard**, Heggedal (NO); **Erik Raad**, Oslo (NO); **Staale Svindland**, Oslo (NO)

EP	0040268	A1	11/1981
EP	1035365	B1	9/2000
EP	1291491	A2	3/2003
GB	2013810	A	8/1979
WO	WO 9307414	A1	4/1993

(73) Assignee: **Vetco Aibel AS**, Billingstad (NO)

* cited by examiner

(**) Term: **14 Years**

Primary Examiner—Robin V. Webster

(21) Appl. No.: **29/208,840**

(74) *Attorney, Agent, or Firm*—Venable LLP; Eric J. Franklin

(22) Filed: **Jul. 7, 2004**

(51) **LOC (8) Cl.** **23-04**

(52) **U.S. Cl.** **D23/262; D23/269**

(58) **Field of Classification Search** D23/262,
D23/259, 269; 251/149.6; 285/369, 417
See application file for complete search history.

(57) **CLAIM**

The ornamental design for a seal, as shown and described.

(56) **References Cited**

DESCRIPTION

U.S. PATENT DOCUMENTS

3,420,497	A	1/1969	Wilcox	
4,087,323	A	5/1978	Sullivan et al.	
4,132,386	A	1/1979	Lee	
4,192,532	A *	3/1980	Pacella	285/248
5,320,133	A	6/1994	Nimberger	
5,379,798	A	1/1995	Syljeset et al.	
D399,932	S *	10/1998	Heathcote	D23/269
5,950,985	A	9/1999	Petterson	
D475,770	S *	6/2003	Walker	D23/262
D482,761	S *	11/2003	Gotoh et al.	D23/262

FIG. 1 is a perspective view of a seal showing our new design;

FIG. 2 is a right side view thereof;

FIG. 3 is a top view thereof;

FIG. 4 is a cross-sectional taken along line 4—4 of FIG. 3;

FIG. 5 is a left side view thereof;

FIG. 6 is another embodiment of a seal including a poppet;

FIG. 7 is a right side view thereof;

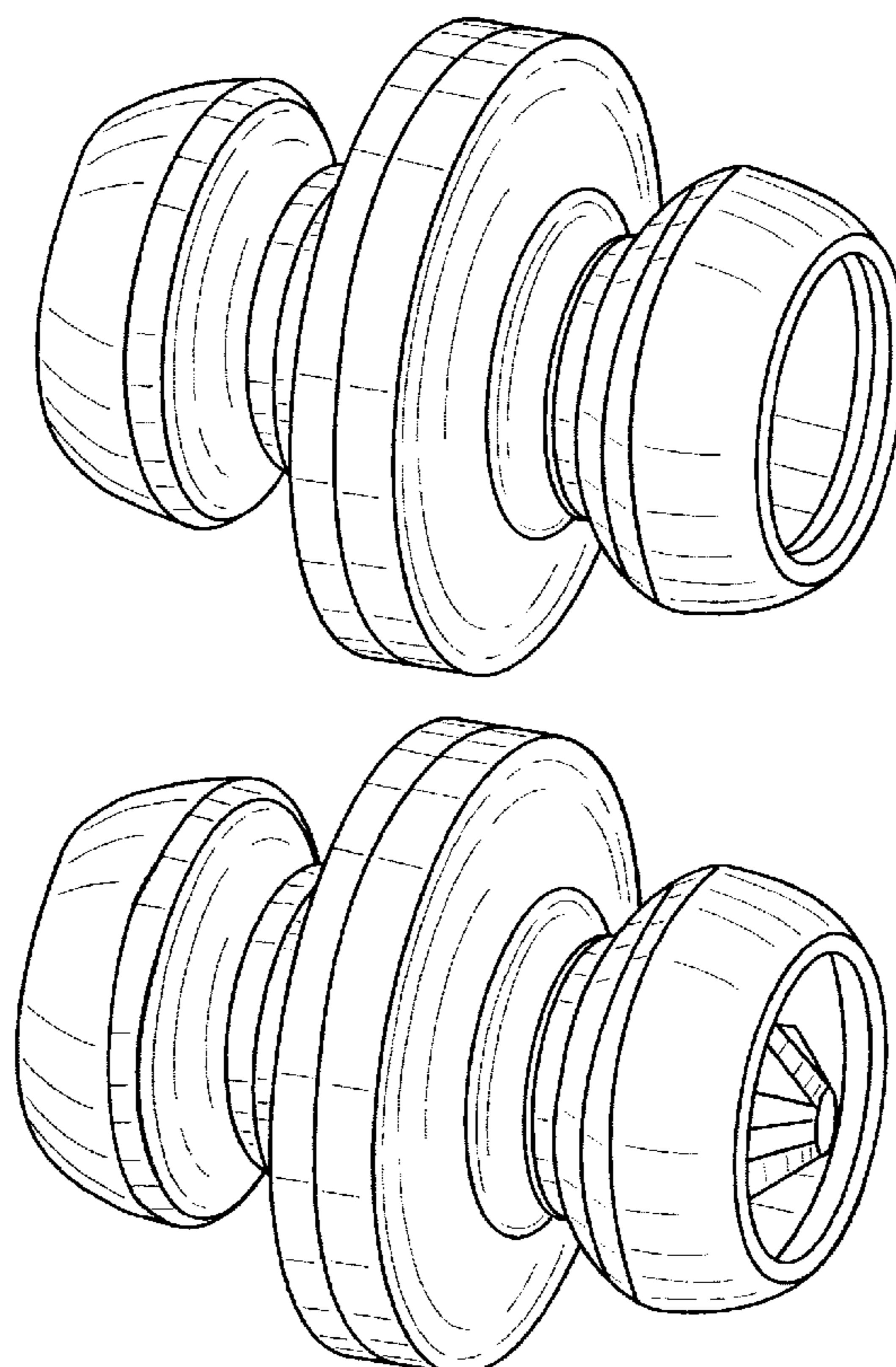
FIG. 8 is a top view thereof;

FIG. 9 is a cross-sectional view taken along line 9—9 of

FIG. 8; and,

FIG. 10 is a left side view thereof.

1 Claim, 4 Drawing Sheets



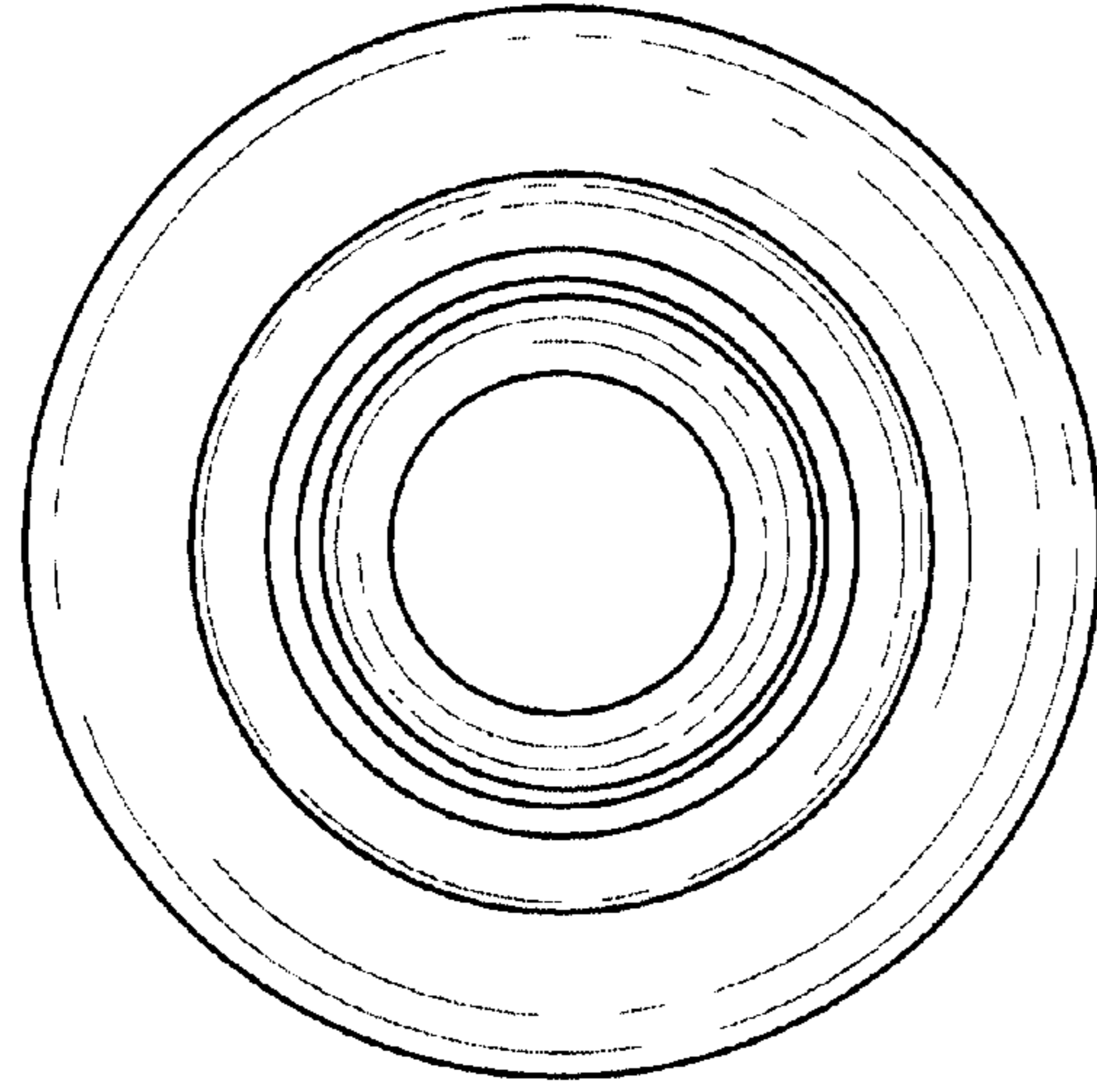


FIG. 2

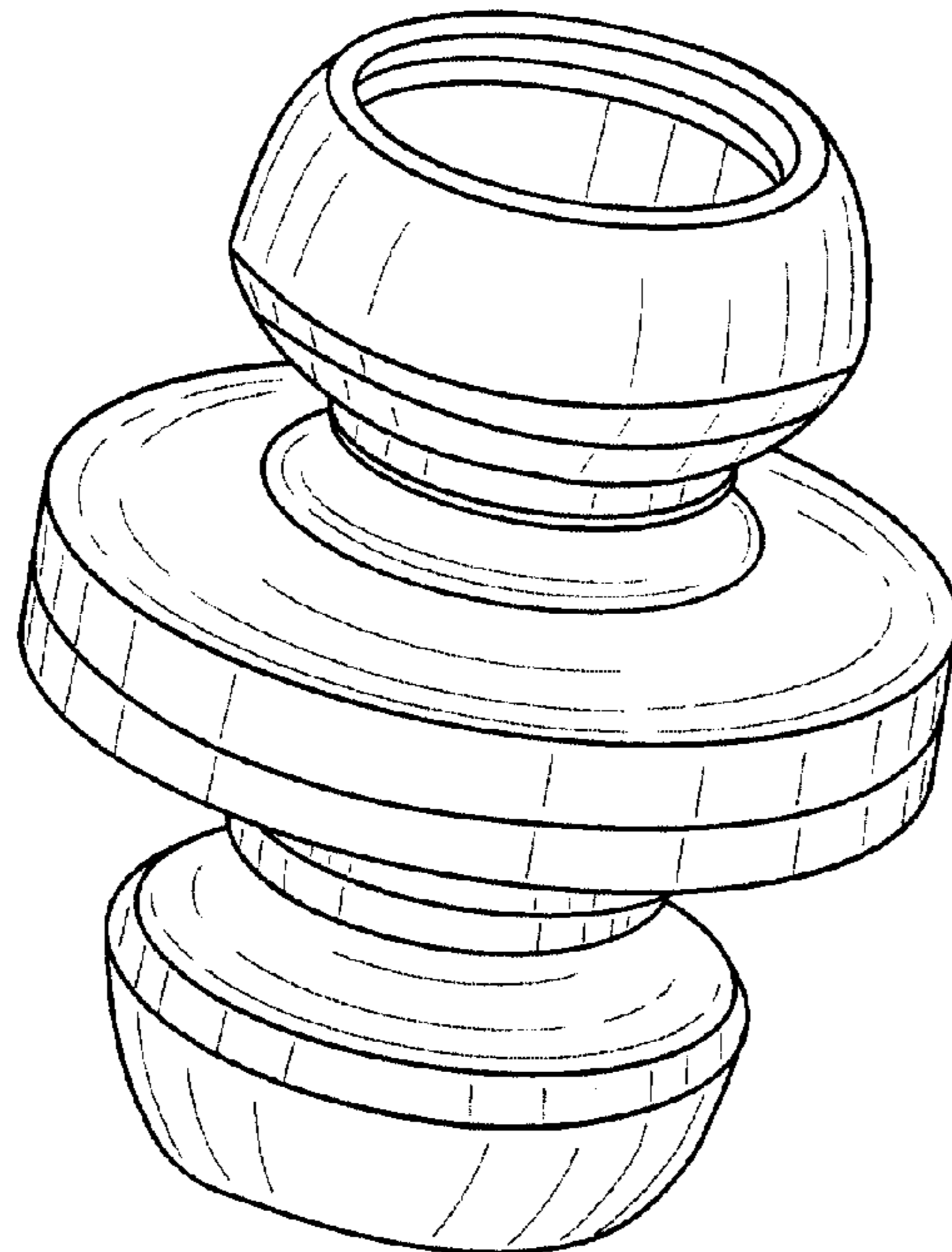


FIG. 1

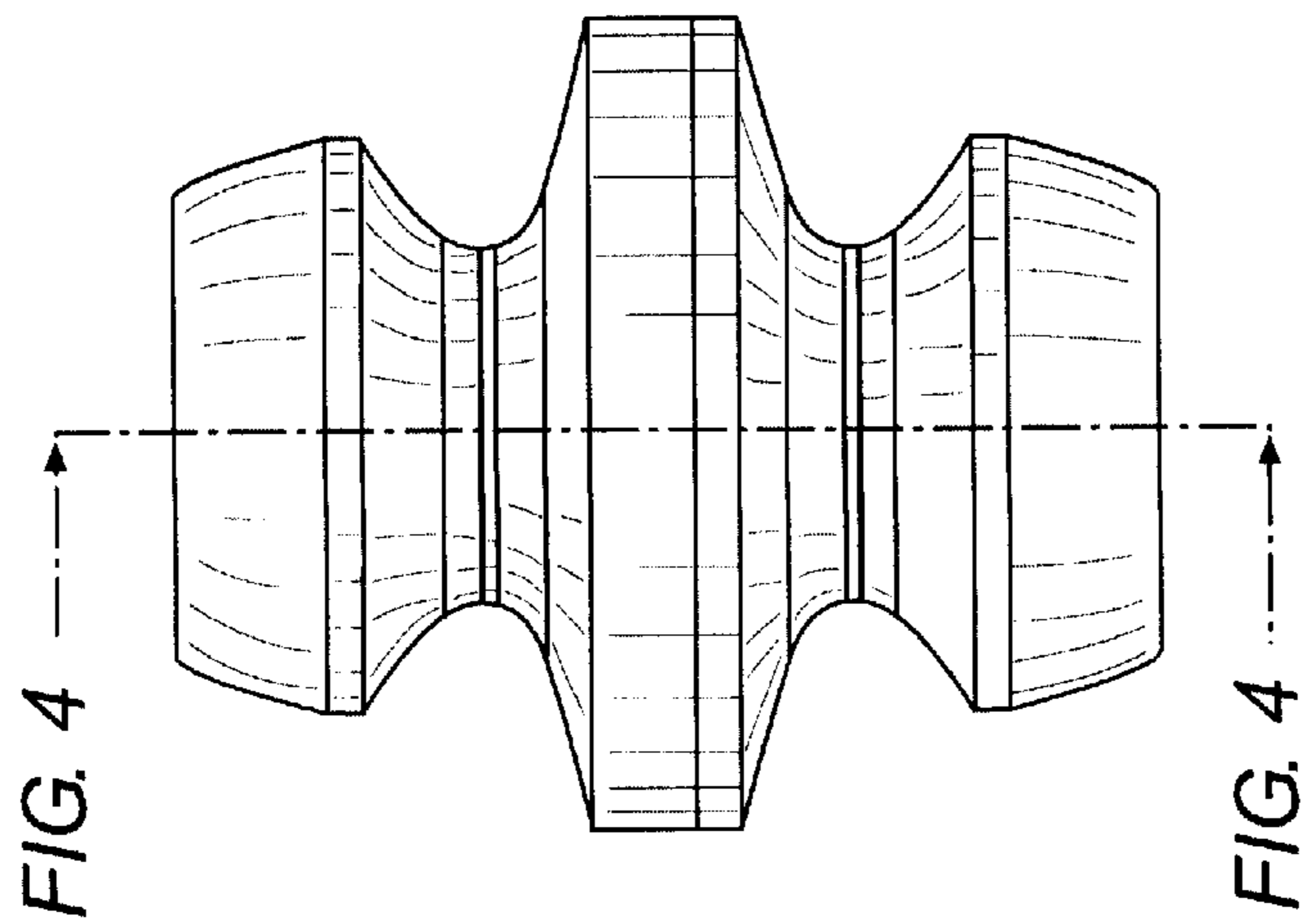


FIG. 3

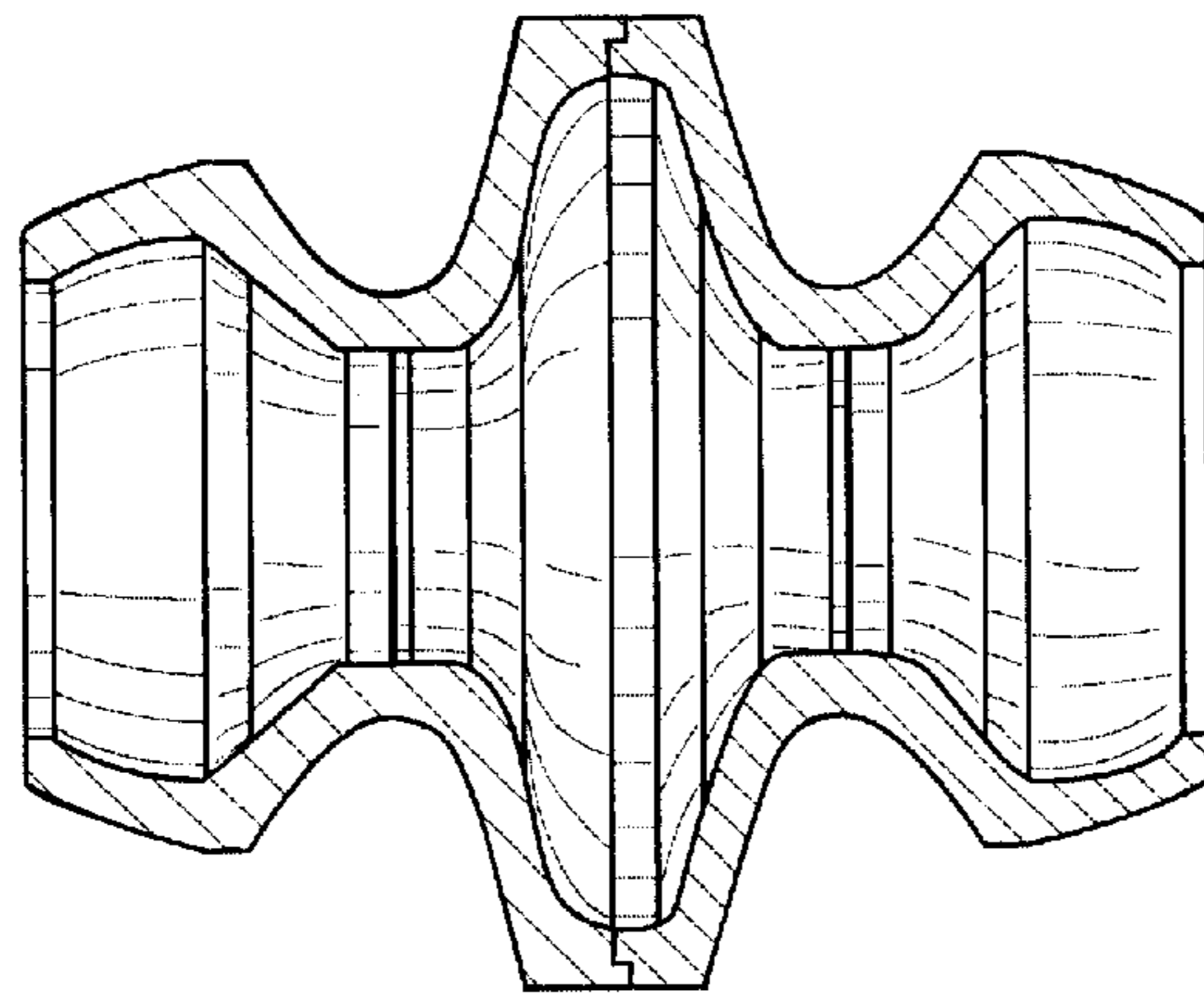


FIG. 4

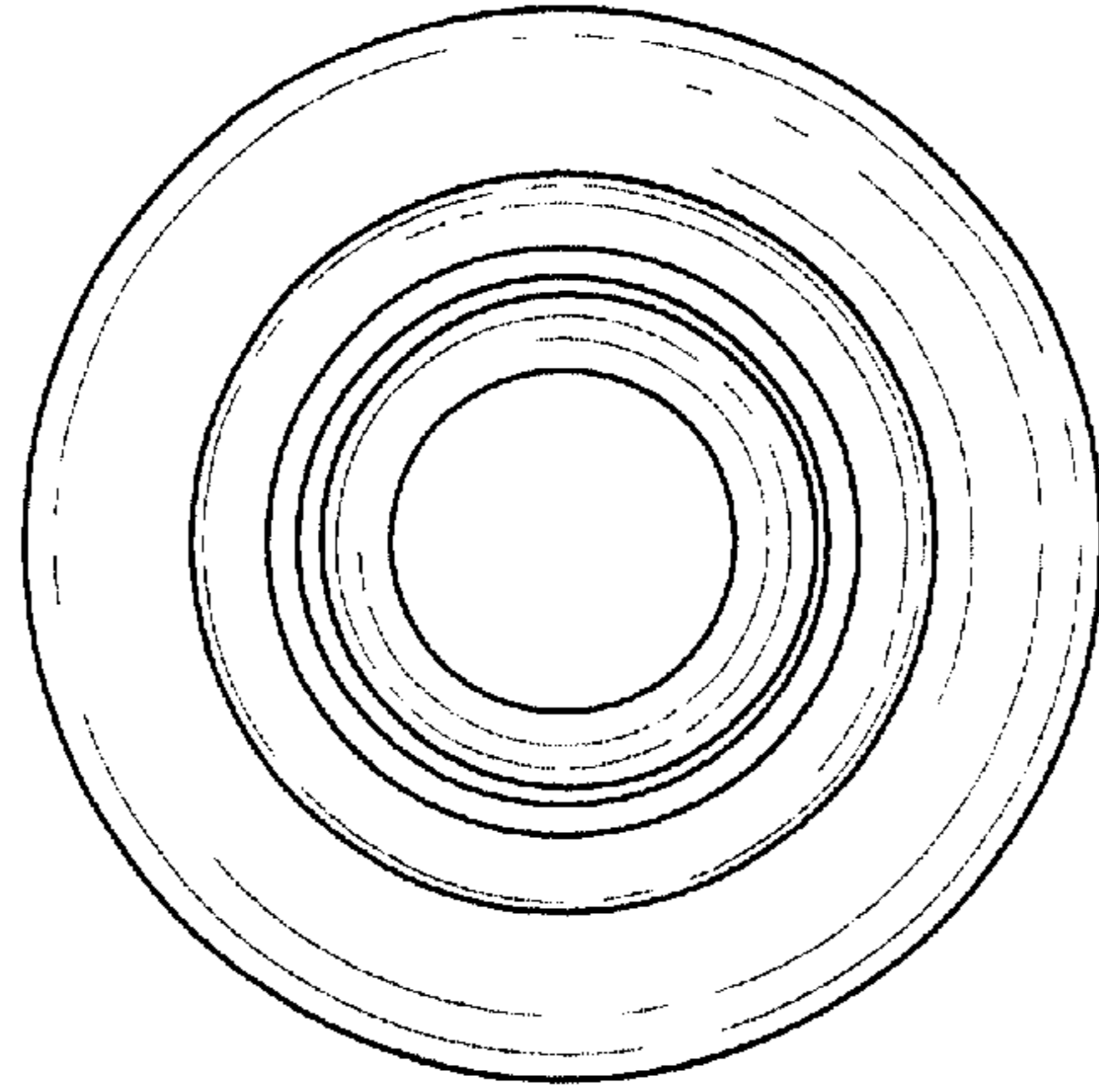


FIG. 5

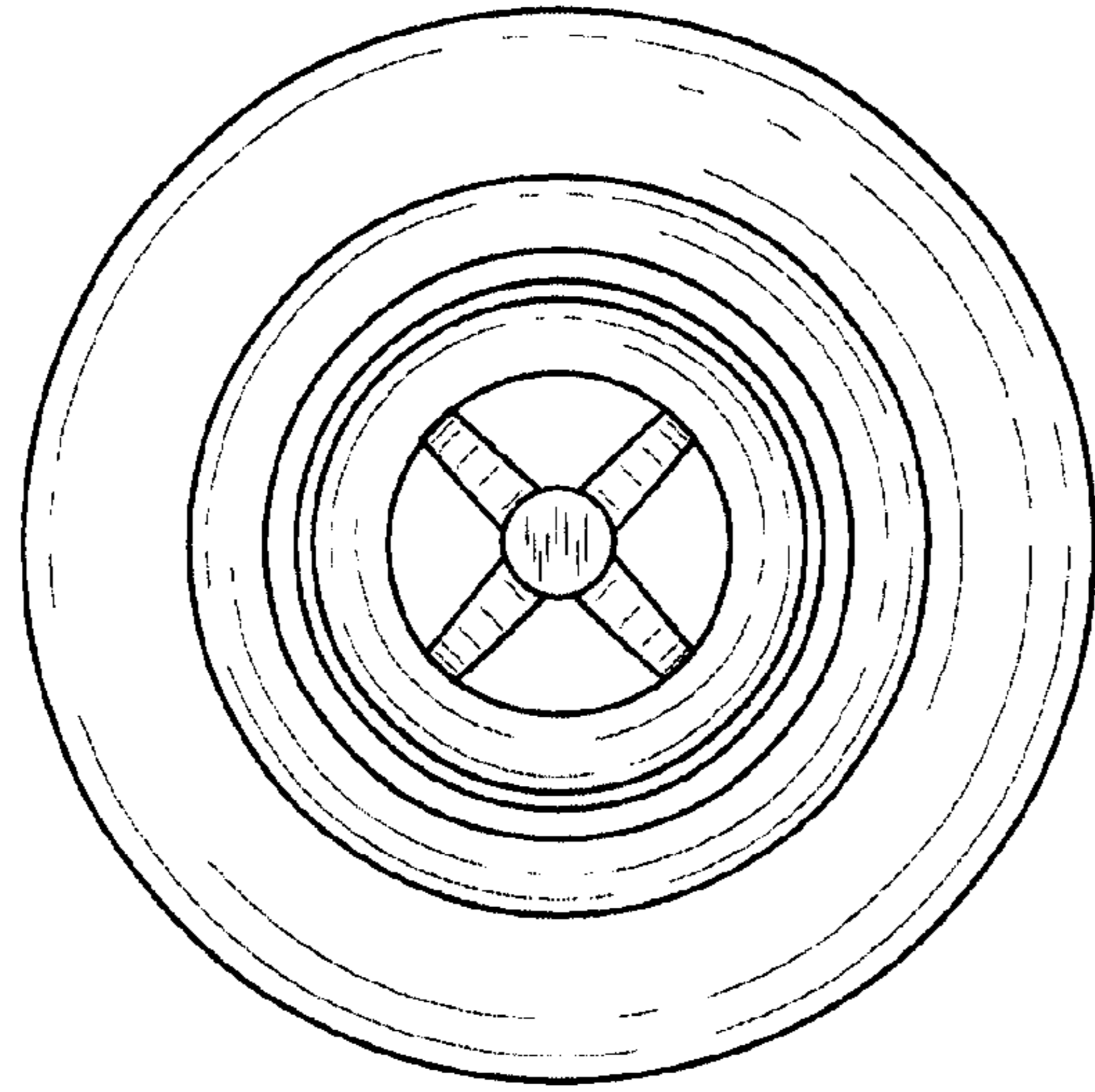


FIG. 7

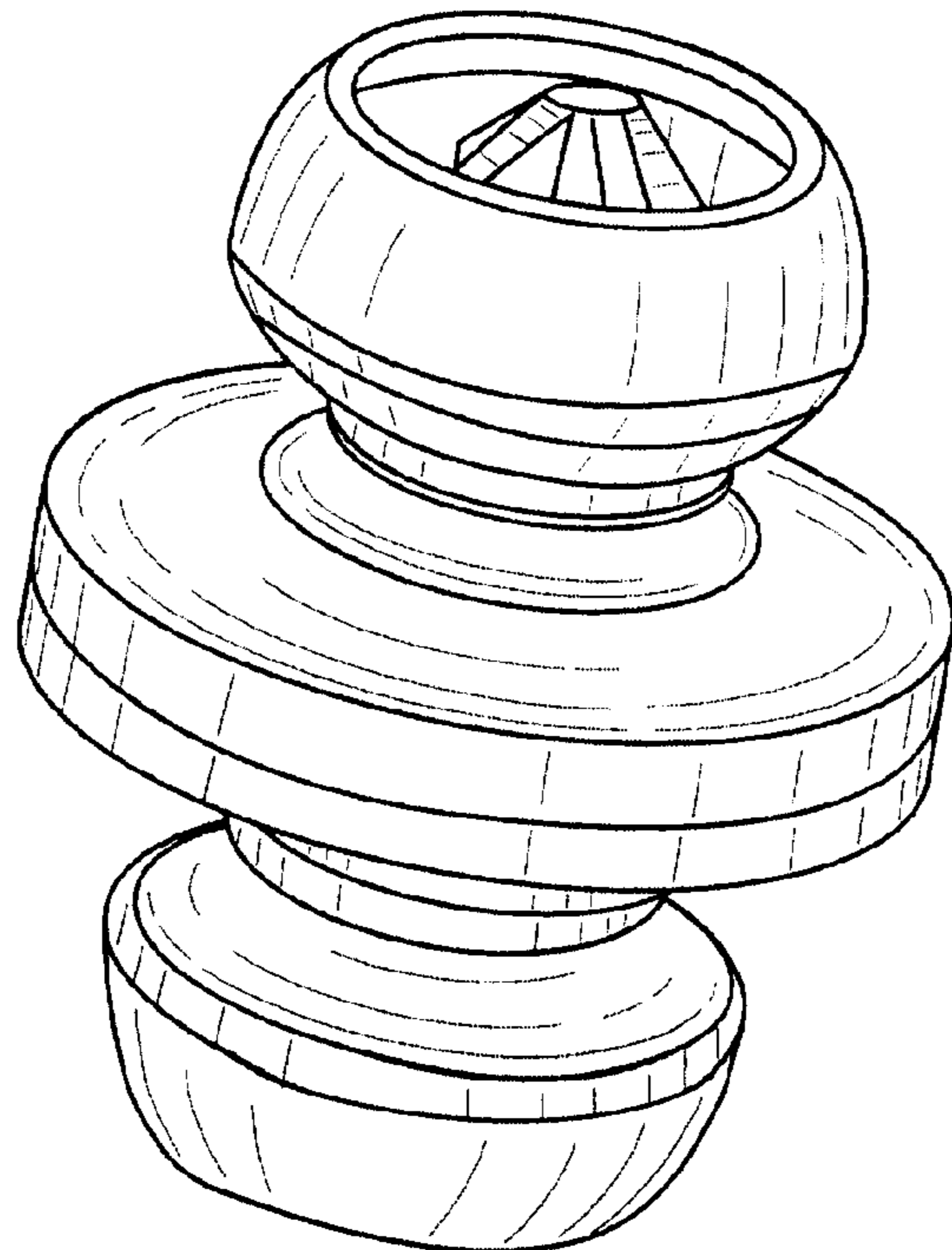


FIG. 6

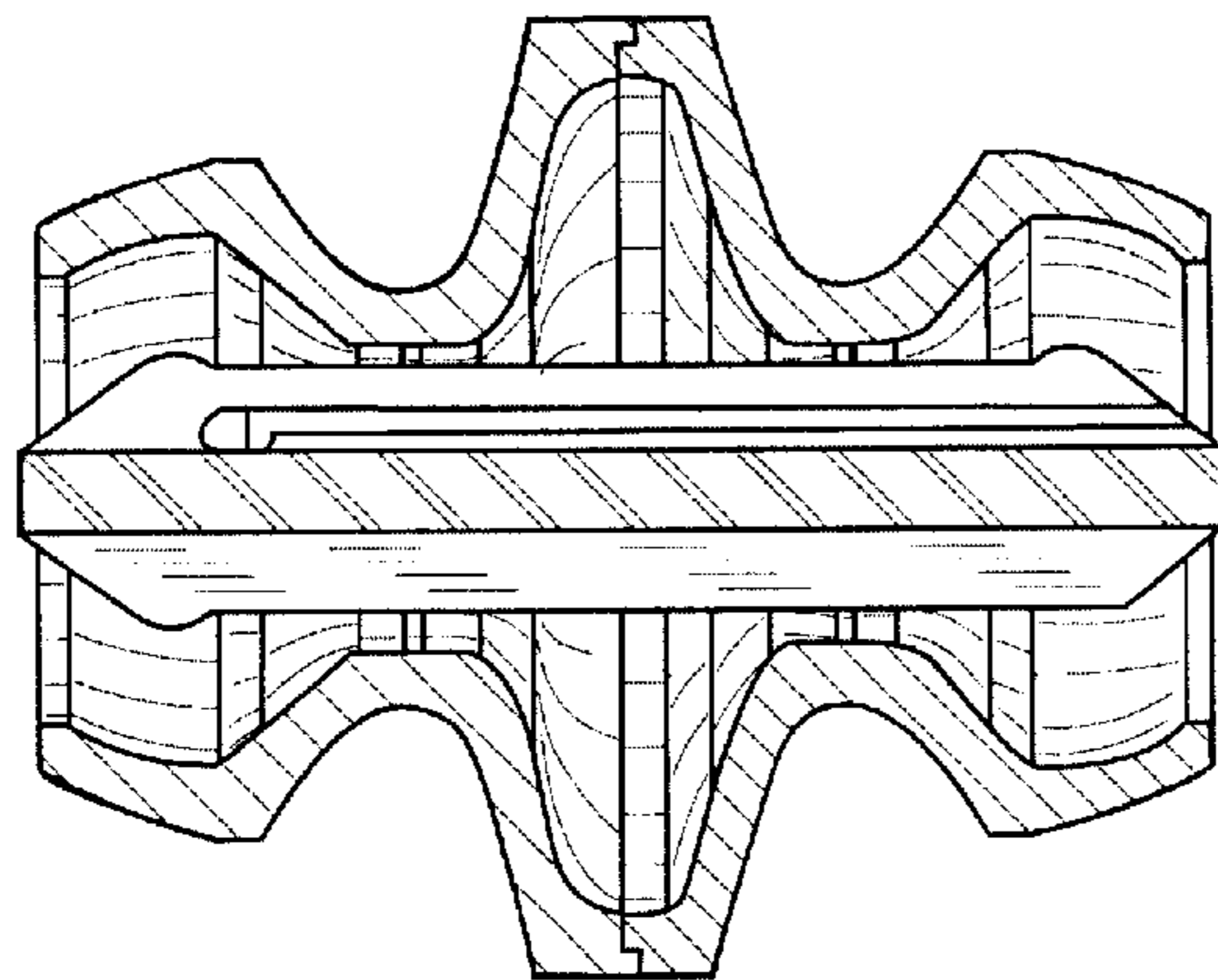


FIG. 10

FIG. 9

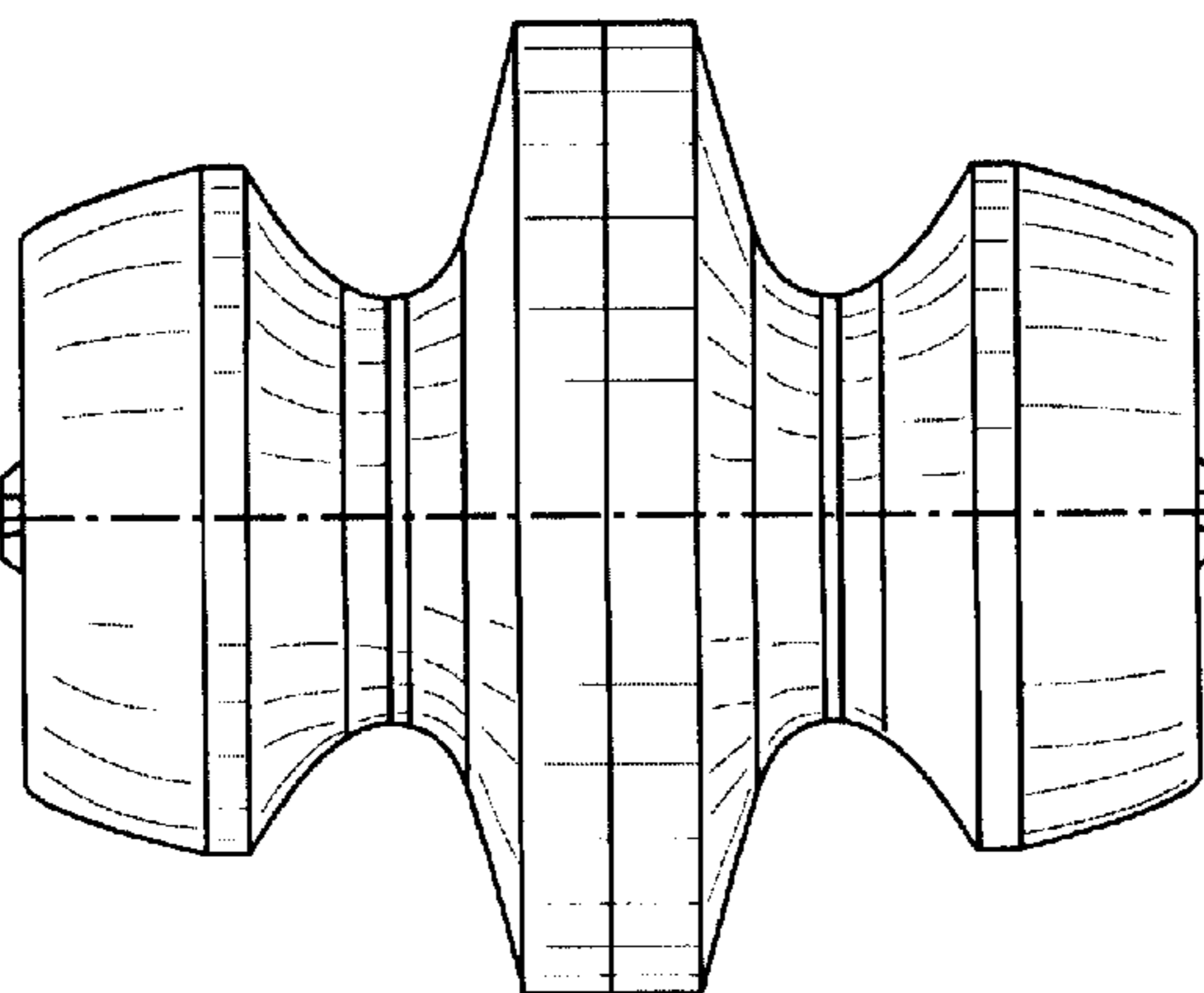


FIG. 9

FIG. 9

FIG. 8

