



US00D518555S

(12) **United States Design Patent**
De Muro, Jr.

(10) **Patent No.:** **US D518,555 S**

(45) **Date of Patent:** **** Apr. 4, 2006**

(54) **OIL FILTER WITH PULL TAB FOR DRAINING RESIDUAL OIL**

(76) Inventor: **Philip G. De Muro, Jr.**, 30 Barnida Dr., East Hanover, NJ (US) 07936

(**) Term: **14 Years**

(21) Appl. No.: **29/209,402**

(22) Filed: **Jul. 15, 2004**

(51) **LOC (8) Cl.** **23-01**

(52) **U.S. Cl.** **D23/209**

(58) **Field of Classification Search** D23/207,
D23/209; 210/232, 443; D9/438
See application file for complete search history.

(56) **References Cited**

U.S. PATENT DOCUMENTS

D199,918 S	*	12/1964	Vander Pyl	D23/209
3,265,213 A	*	8/1966	Decker et al.	210/136
3,912,633 A	*	10/1975	Delaney	210/168
D309,974 S	*	8/1990	Tannous	D23/209
5,679,244 A	*	10/1997	Tettman et al.	210/130

5,900,140 A	*	5/1999	Nagai et al.	210/85
D454,307 S	*	3/2002	Lindsey	D9/438
6,375,840 B1	*	4/2002	Hunter	210/232
D460,146 S	*	7/2002	Setser	D23/209
6,729,477 B1	*	5/2004	Yates	210/443

* cited by examiner

Primary Examiner—Robin V. Webster

(74) *Attorney, Agent, or Firm*—Siegmar Silber, Esq.

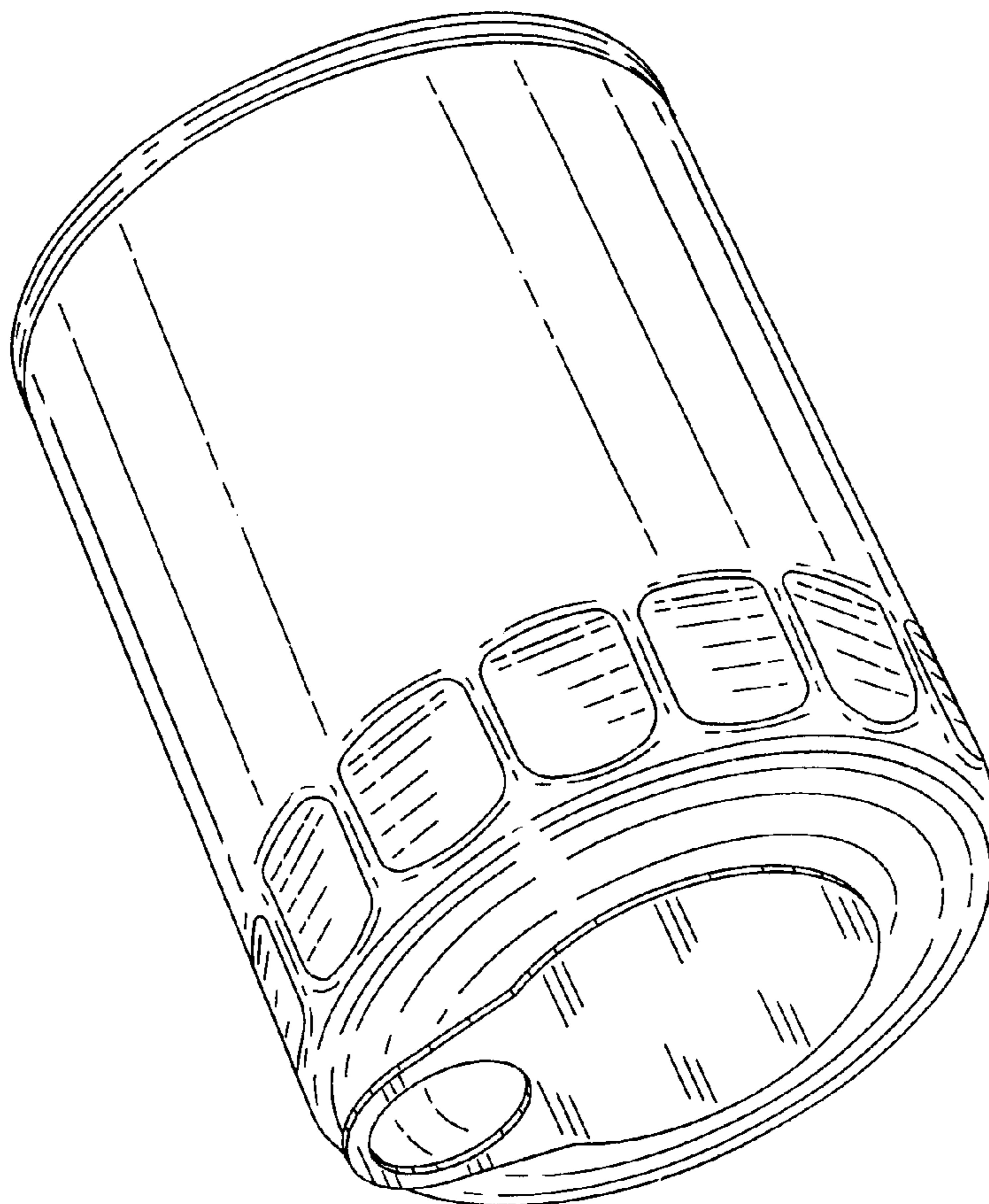
(57) **CLAIM**

The ornamental design for an oil filter with pull tab for draining residual oil, as shown and described.

DESCRIPTION

FIG. 1 is a perspective view of an oil filter with pull tab for draining residual oil of the present design;
FIG. 2 is a top plan view thereof;
FIG. 3 is a bottom view thereof;
FIG. 4 is a left side elevational view thereof, the right side being a mirror image; and,
FIG. 5 is a front elevational view thereof, the rear being identical.

1 Claim, 2 Drawing Sheets



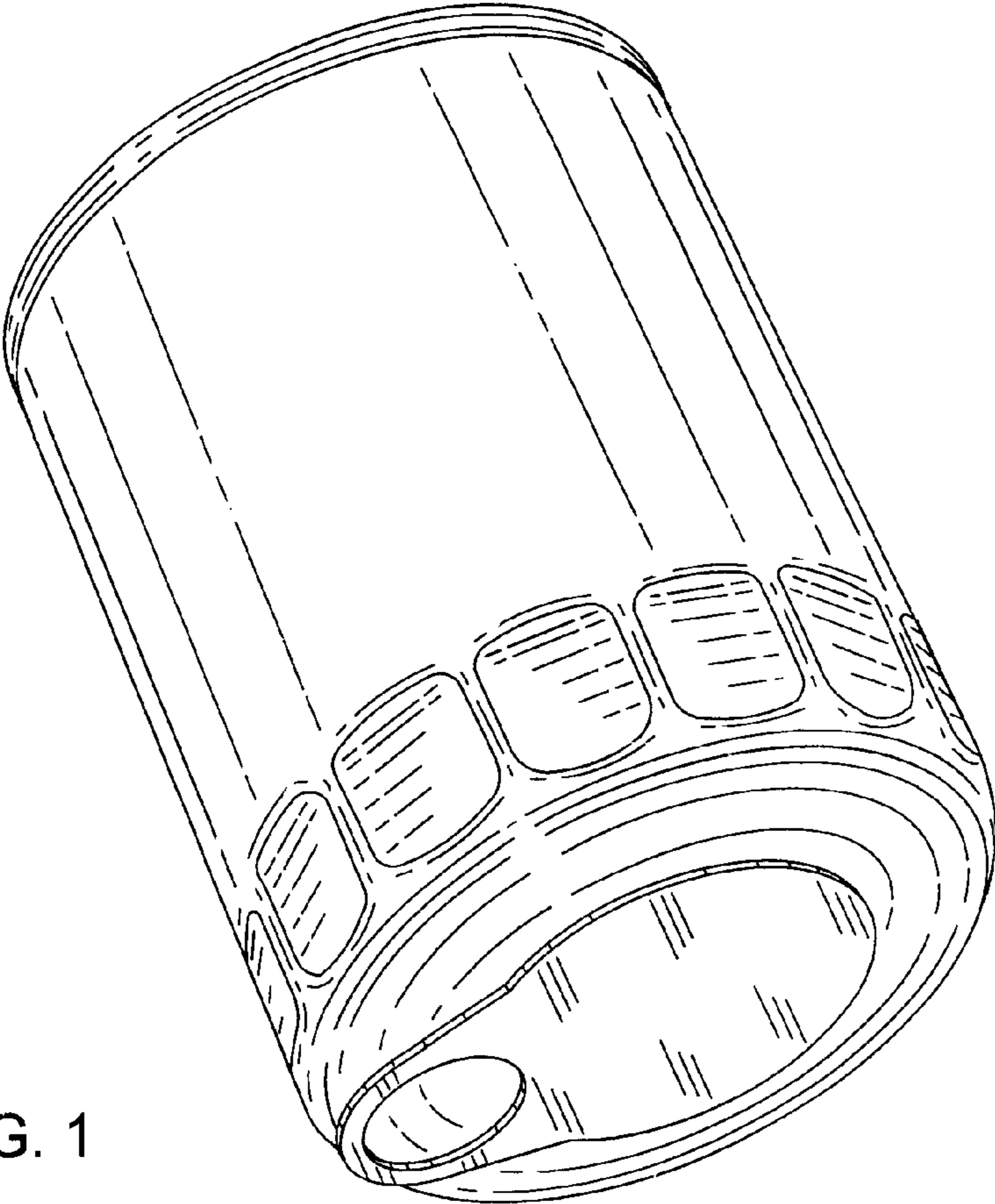


FIG. 1

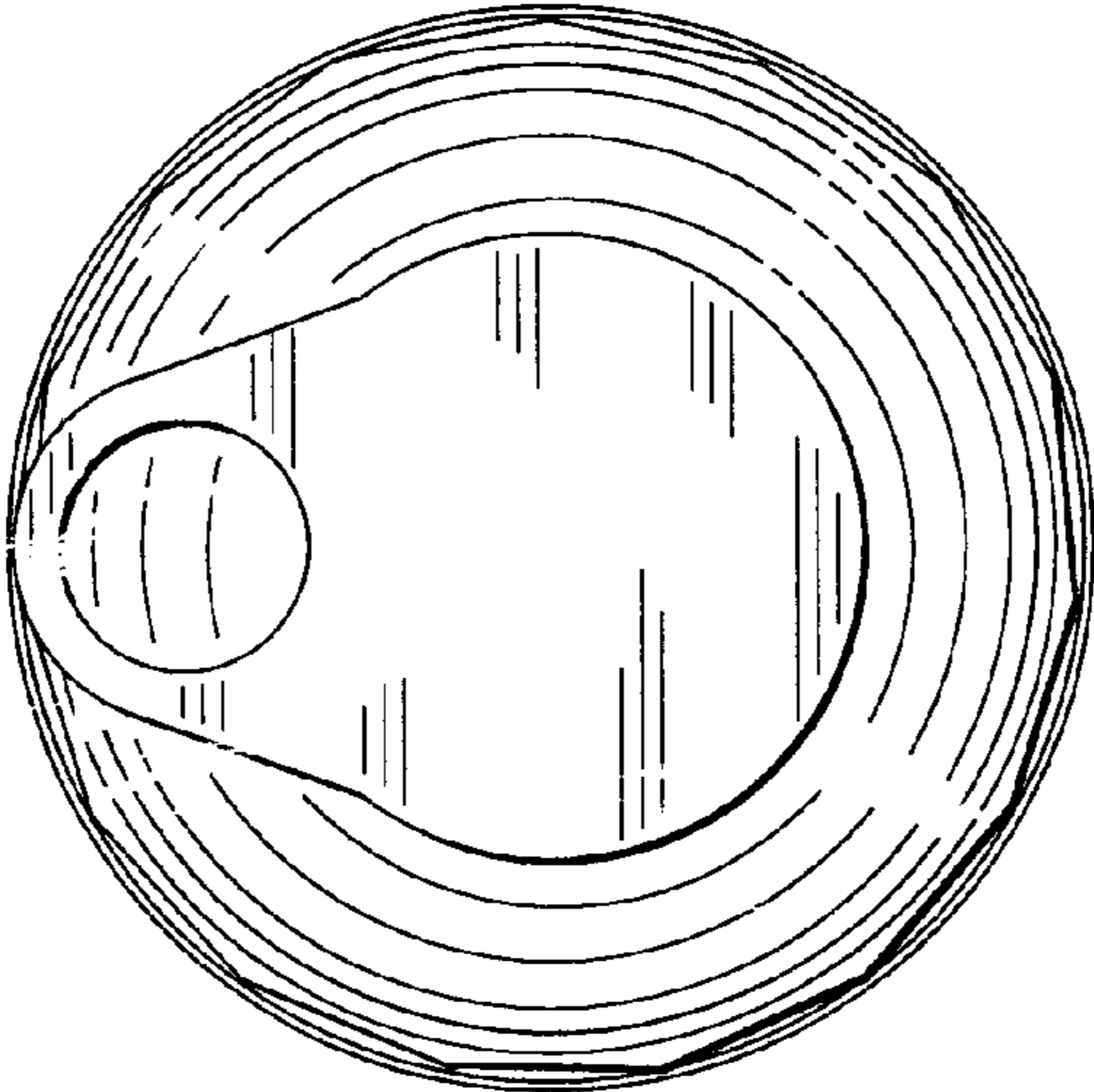


FIG. 2

FIG. 3

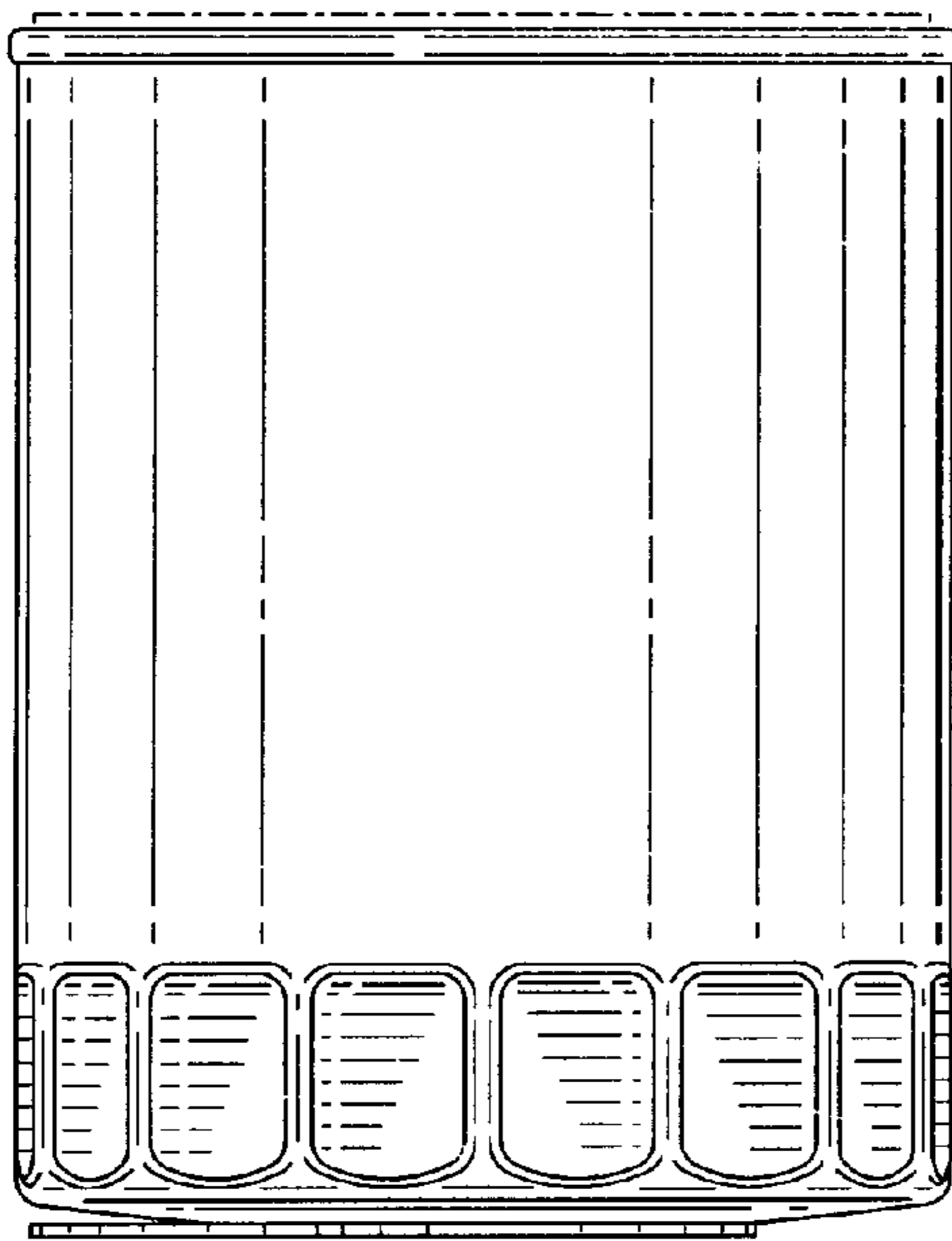
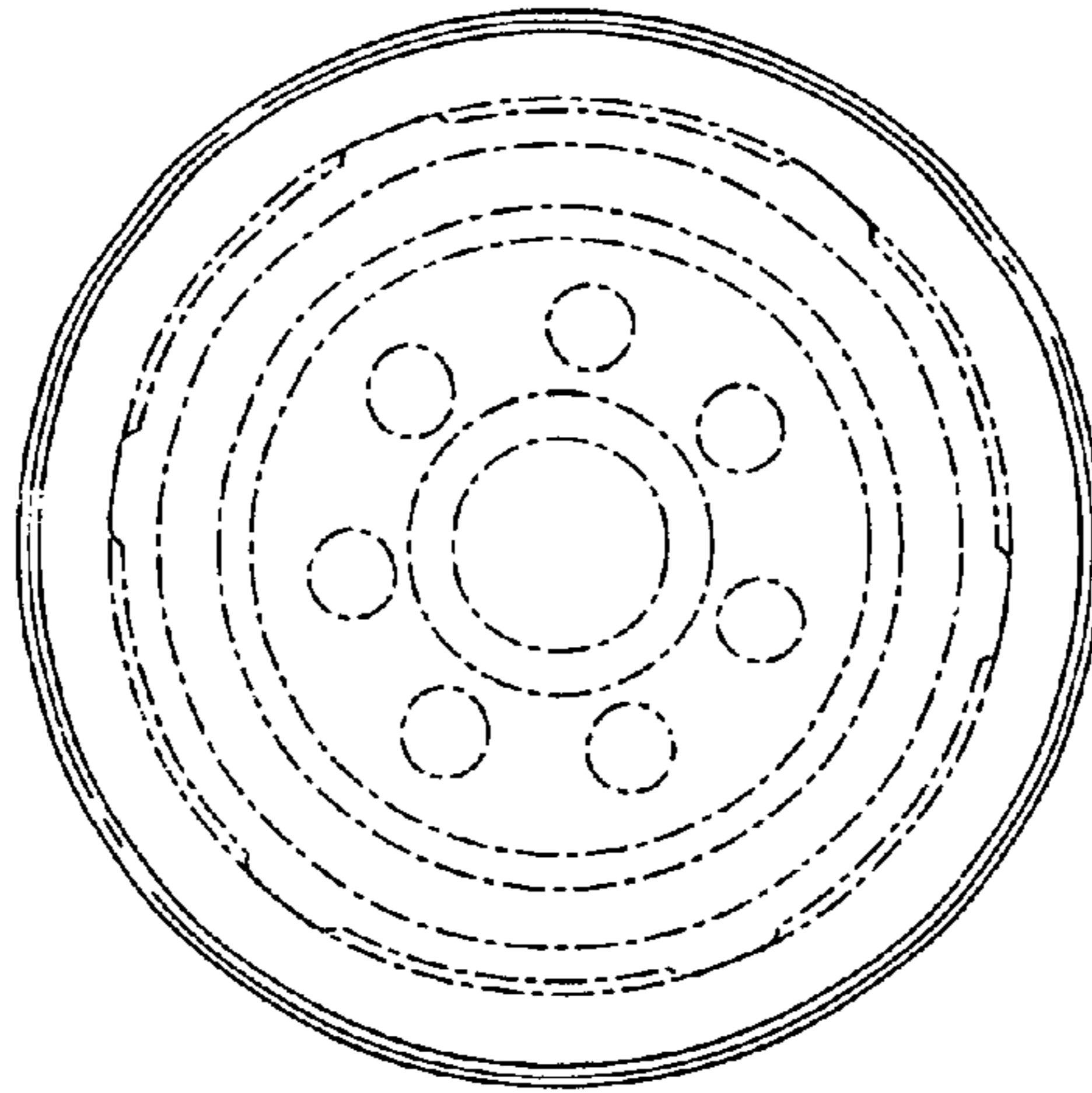


FIG. 4

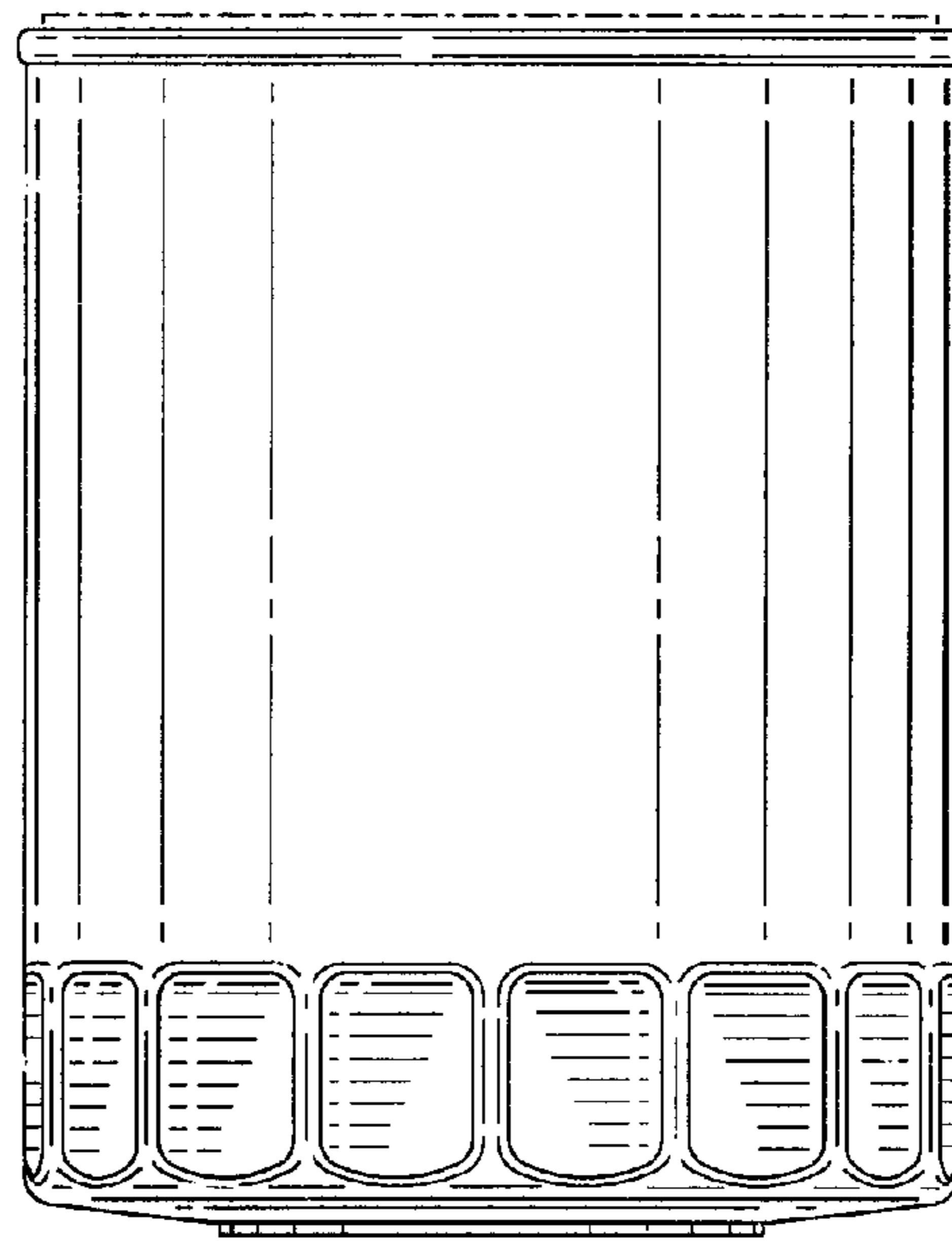


FIG. 5