



US00D518550S

(12) **United States Design Patent**
Bertin

(10) **Patent No.:** **US D518,550 S**

(45) **Date of Patent:** **** Apr. 4, 2006**

(54) **ICE FISHING APPARATUS**

Primary Examiner—Catherine R. Oliver

(76) Inventor: **Anthony Bertin**, 2428 Emily Street,
Sudbury, Ontario (CA), P3A 2L3

(57) **CLAIM**

I claim the ornamental design for the ice fishing apparatus,
as shown.

(**) Term: **14 Years**

DESCRIPTION

(21) Appl. No.: **29/198,814**

The present design relates to an ice fishing device having a
cover and adjustable reel-arm.

(22) Filed: **Feb. 6, 2004**

(51) **LOC (8) Cl.** **22-05**

(52) **U.S. Cl.** **D22/134**

(58) **Field of Classification Search** D22/134,
D22/137-141; 242/370, 223, 224, 234-240;
43/17-20

FIG. 1 is a top front perspective view of an ice fishing
apparatus of the present design;

FIG. 2 is a left side elevation view of the ice fishing
apparatus of the present design.

FIG. 3 is a right side elevation view of the ice fishing
apparatus of the present design.

See application file for complete search history.

FIG. 4 is a front elevation view of the ice fishing apparatus
of the present design.

(56) **References Cited**

U.S. PATENT DOCUMENTS

3,530,611 A * 9/1970 Britt 43/17

D377,079 S * 12/1996 Robinson D22/137

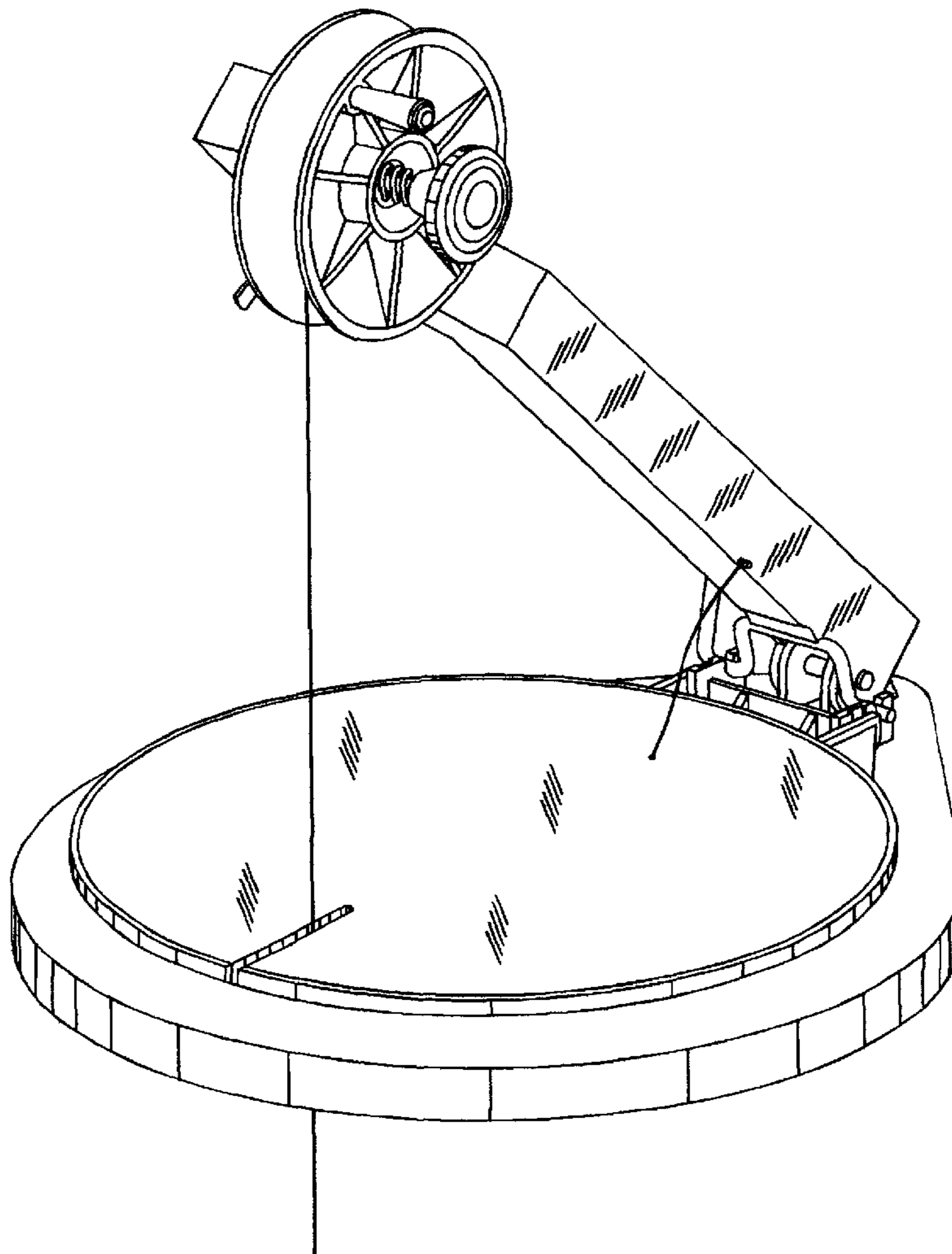
D432,620 S * 10/2000 Rozkowski D22/134

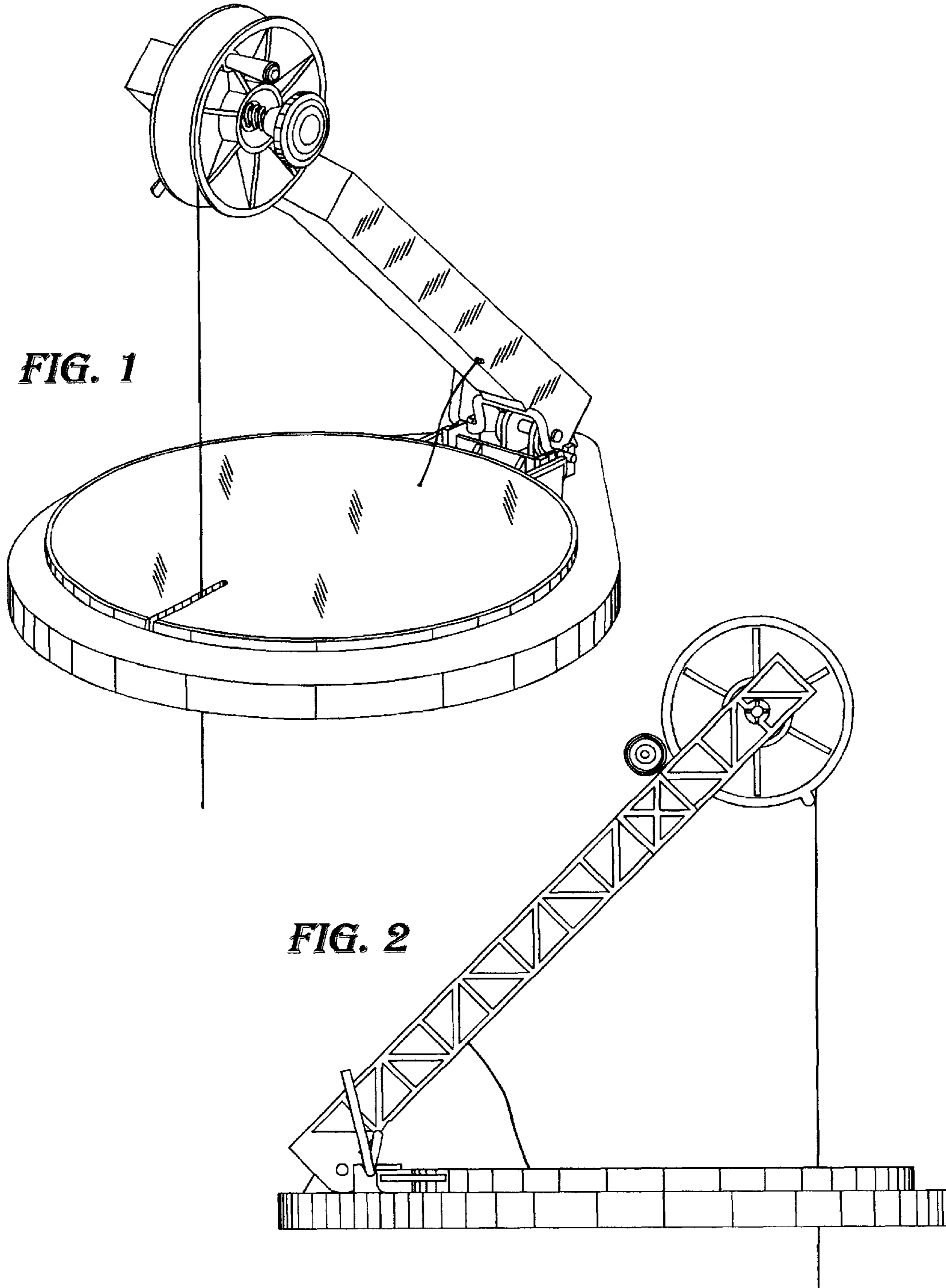
FIG. 5 is a rear elevation view of the ice fishing apparatus
of the present design; and,

FIG. 6 is a top plan view of the ice fishing apparatus of the
present design.

* cited by examiner

1 Claim, 2 Drawing Sheets





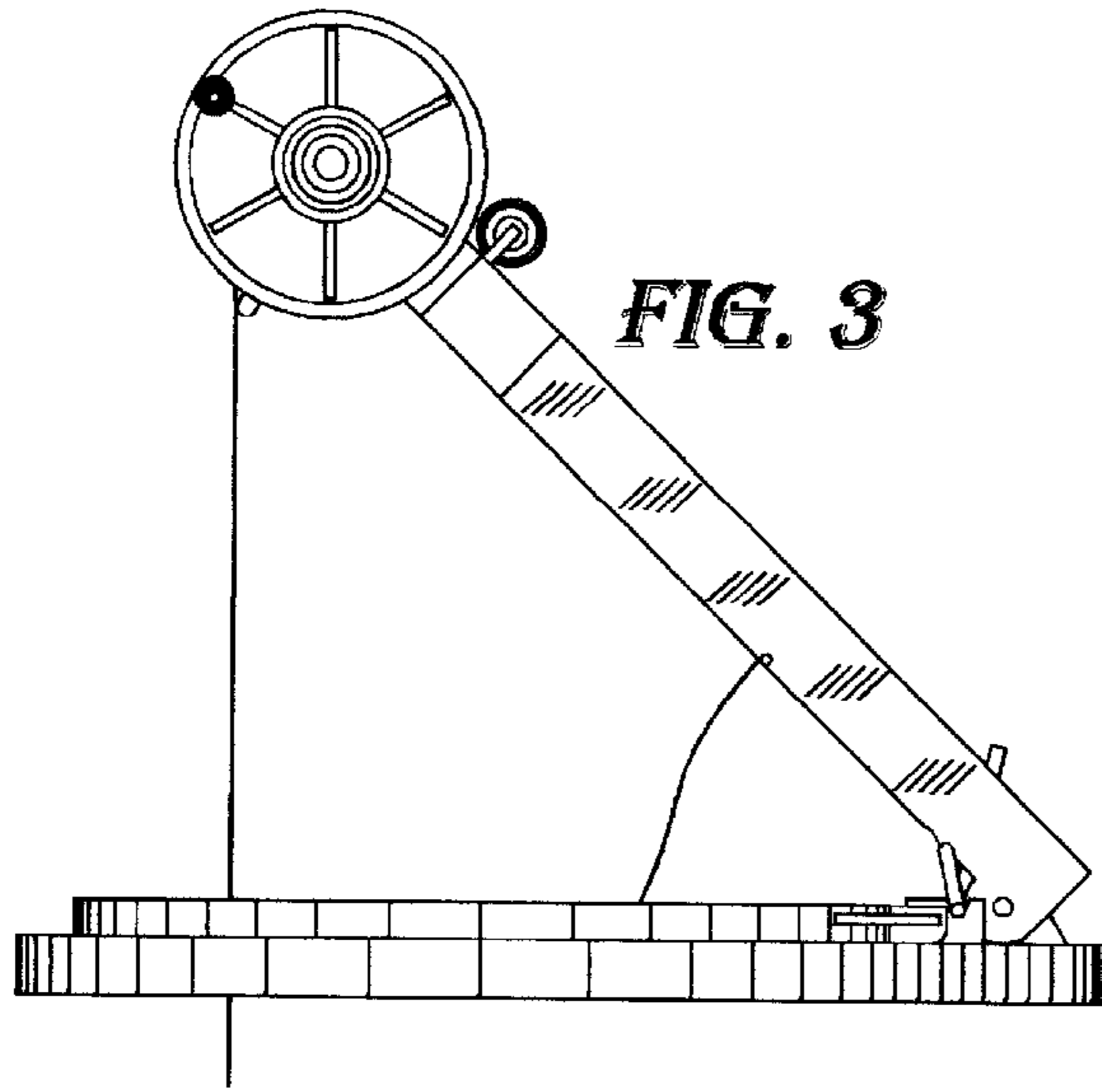


FIG. 3

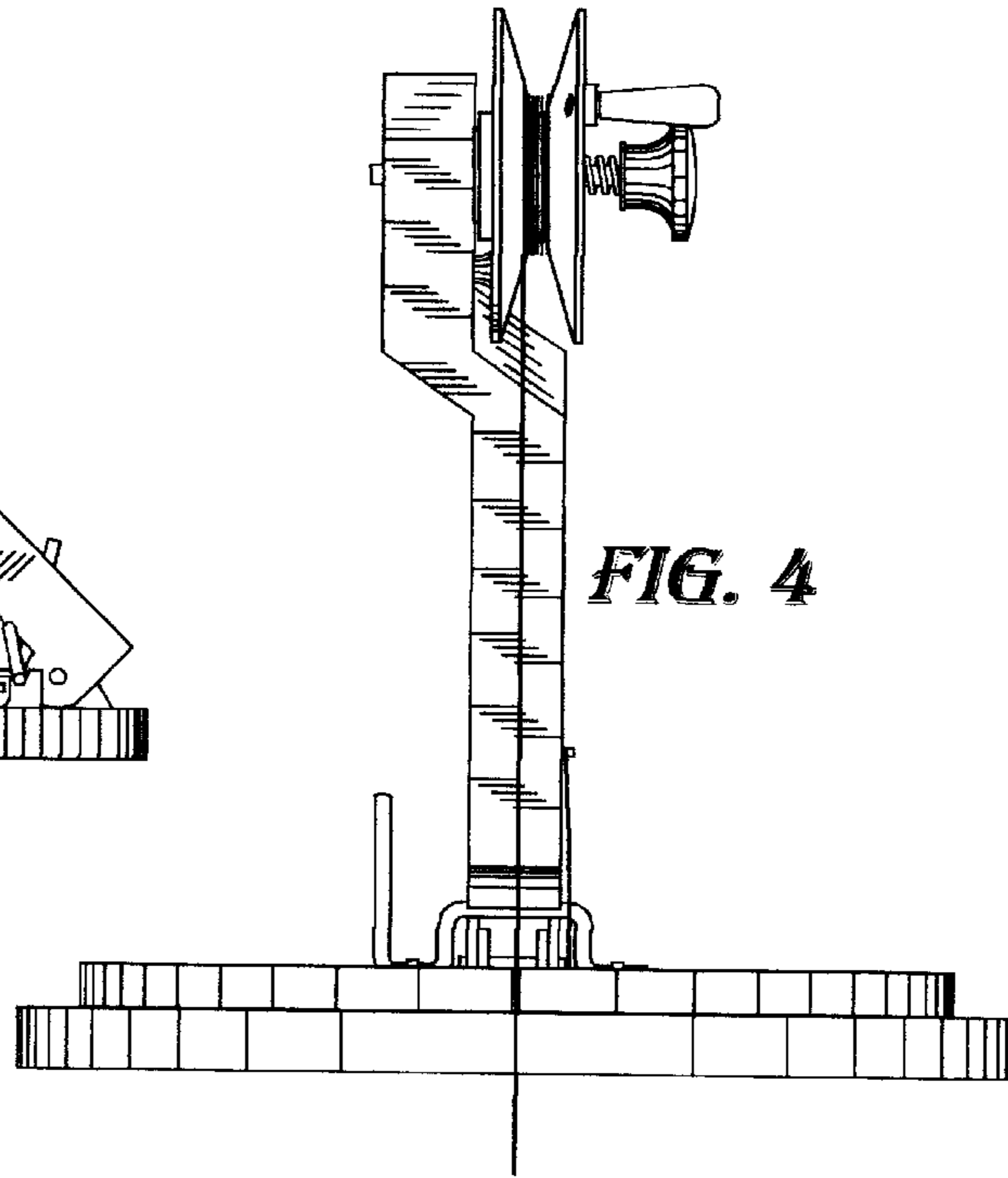


FIG. 4

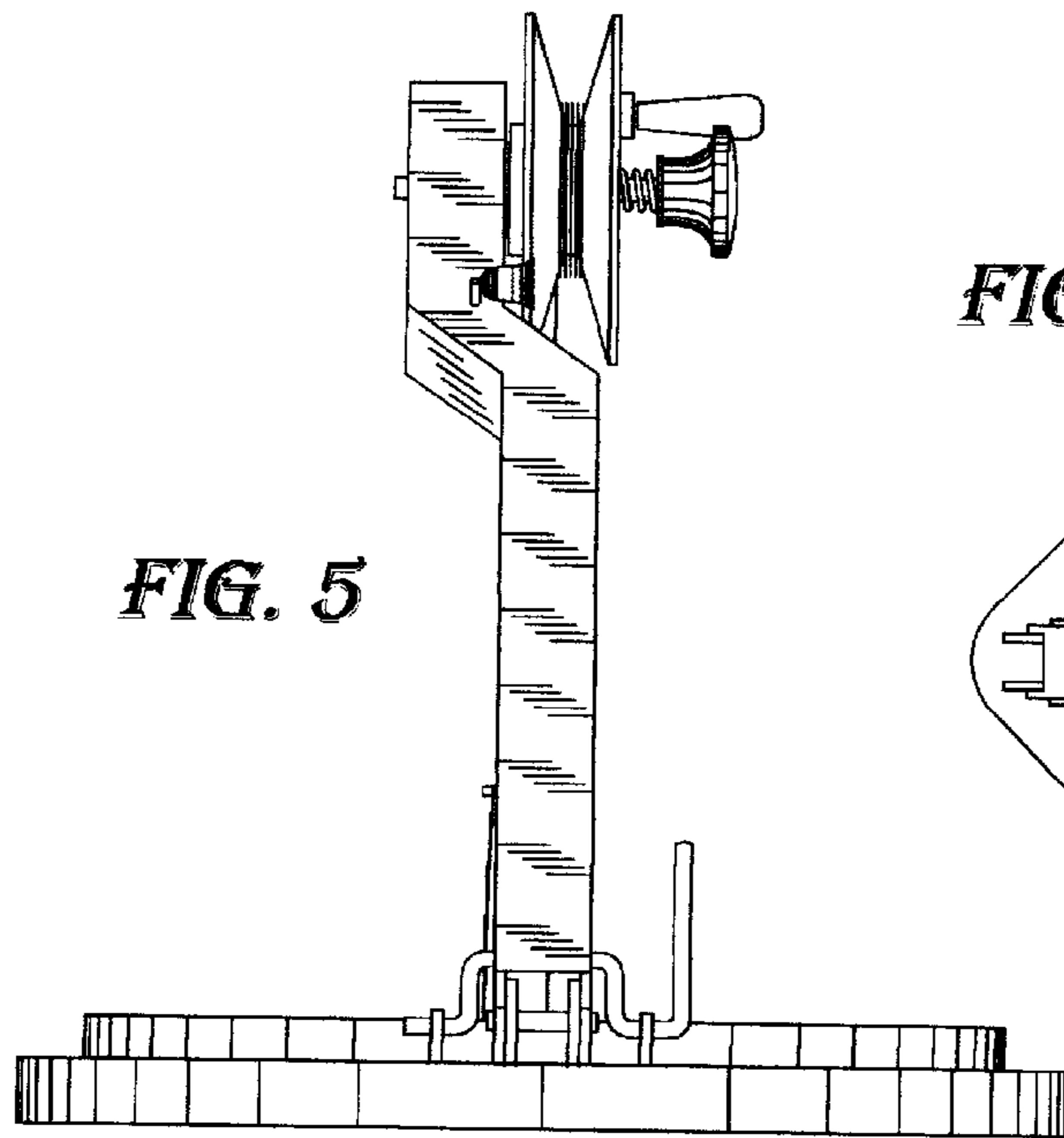


FIG. 5

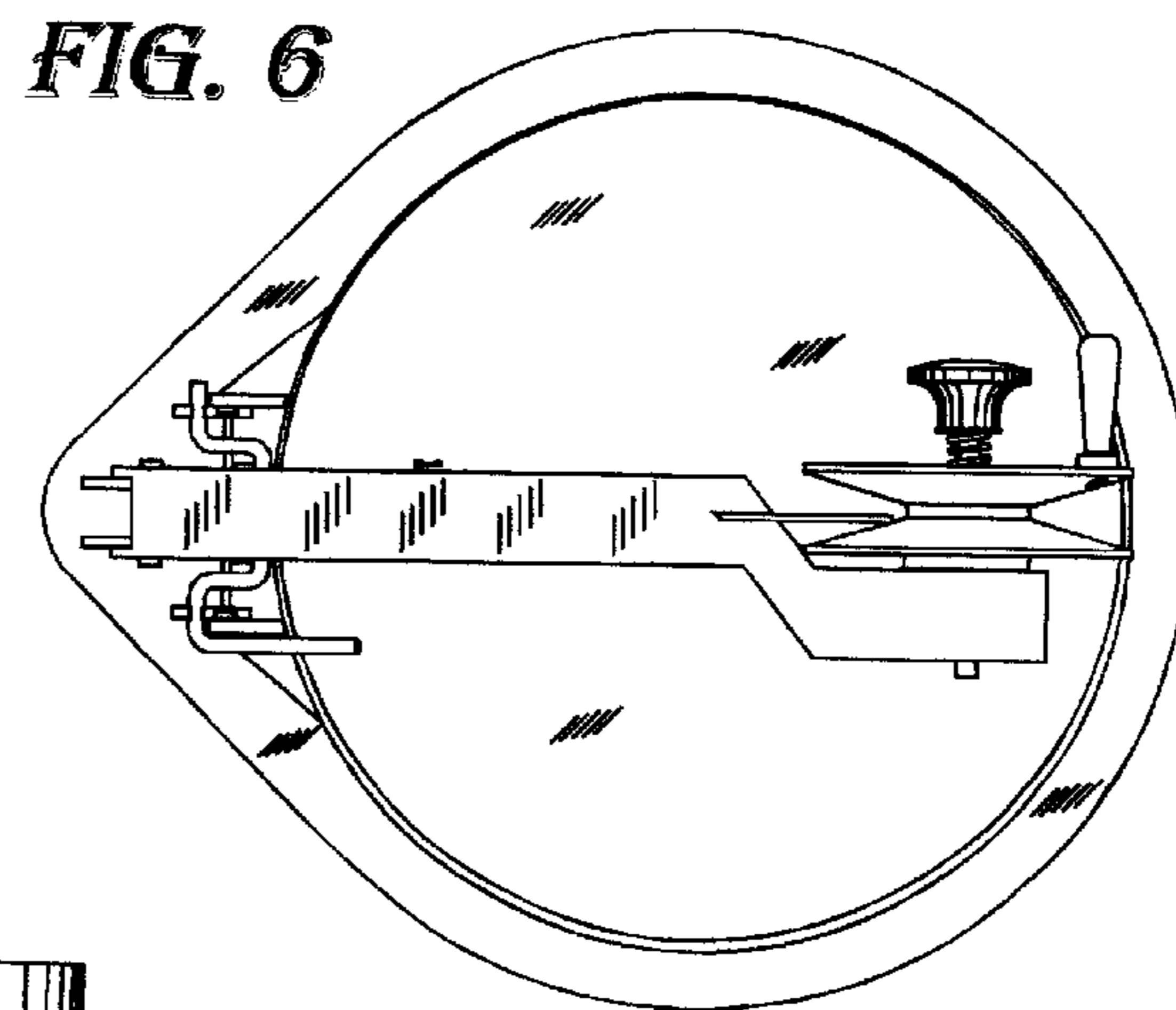


FIG. 6