



US00D518545S

(12) **United States Design Patent**
Renahan et al.

(10) **Patent No.:** **US D518,545 S**

(45) **Date of Patent:** **** Apr. 4, 2006**

(54) **GOLF TRAINING AID**

D364,440 S * 11/1995 Balestrieri D21/791

(75) Inventors: **Michael D. Renahan**, Penfield, NY
(US); **Mark Loomis**, Macedon, NY
(US)

* cited by examiner

Primary Examiner—Mitchell Siegel

(74) *Attorney, Agent, or Firm*—Neal L. Slifkin

(73) Assignee: **Izzo Golf Inc.**, Macedon, NY (US)

(57) **CLAIM**

(**) Term: **14 Years**

The ornamental design for a golf training aid, as shown and described.

(21) Appl. No.: **29/216,173**

DESCRIPTION

(22) Filed: **Oct. 29, 2004**

(51) **LOC (8) Cl.** **21-02**

(52) **U.S. Cl.** **D21/791**

(58) **Field of Classification Search** D21/789,
D21/791; 473/218, 270–273

See application file for complete search history.

FIG. 1 is a perspective view of the present invention, shown in an assembled configuration;

FIG. 2 is a left side view of the present invention;

FIG. 3 is a right side view of the present invention;

FIG. 4 is a front view of the present invention;

FIG. 5 is a rear view of the present invention;

FIG. 6 is a top view of the present invention;

FIG. 7 is a bottom view of the present invention; and,

FIG. 8 is a perspective view of the present invention, shown in a disassembled configuration.

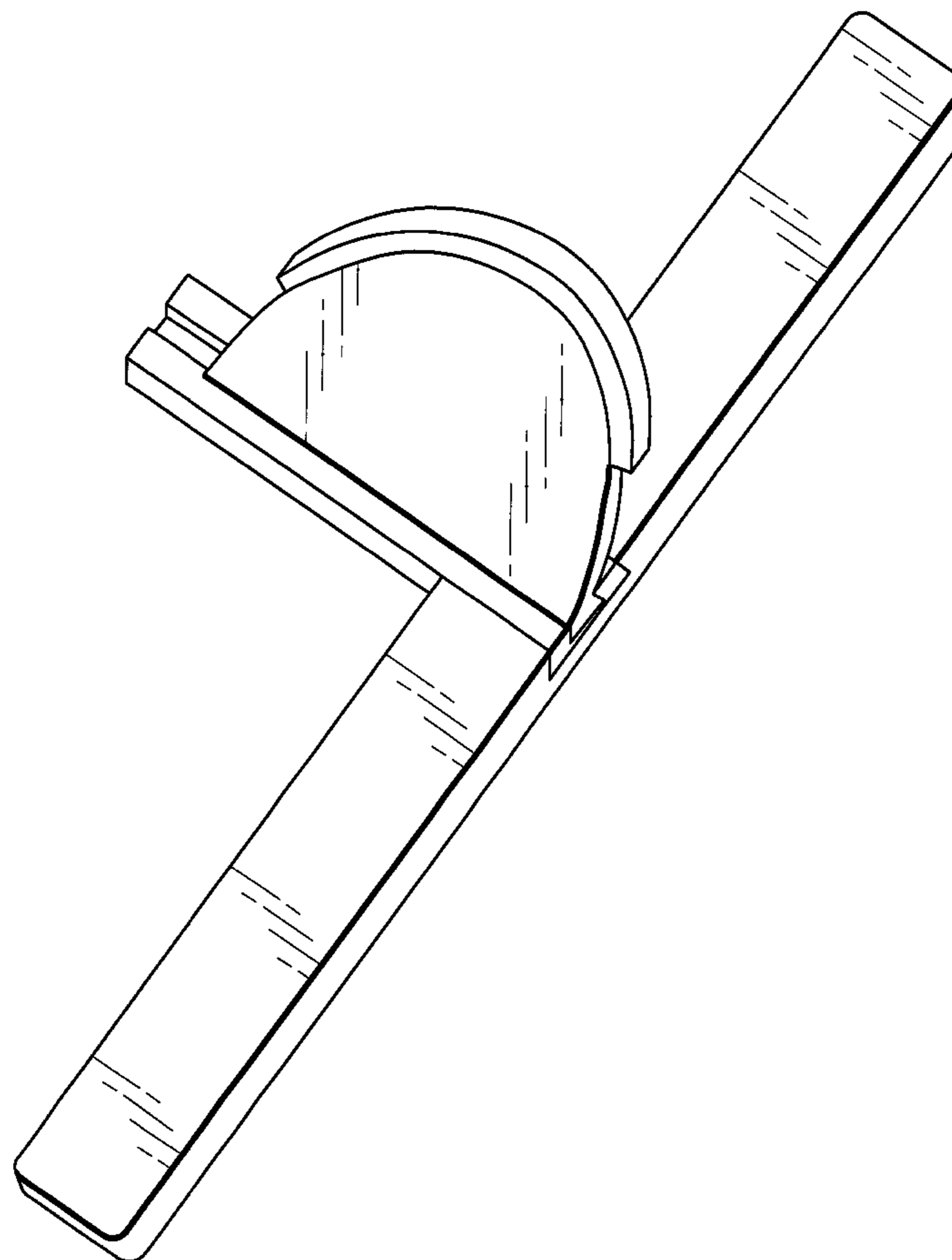
(56) **References Cited**

U.S. PATENT DOCUMENTS

D239,726 S * 4/1976 Wintering D21/791

D312,116 S * 11/1990 Spagnola D21/791

1 Claim, 7 Drawing Sheets



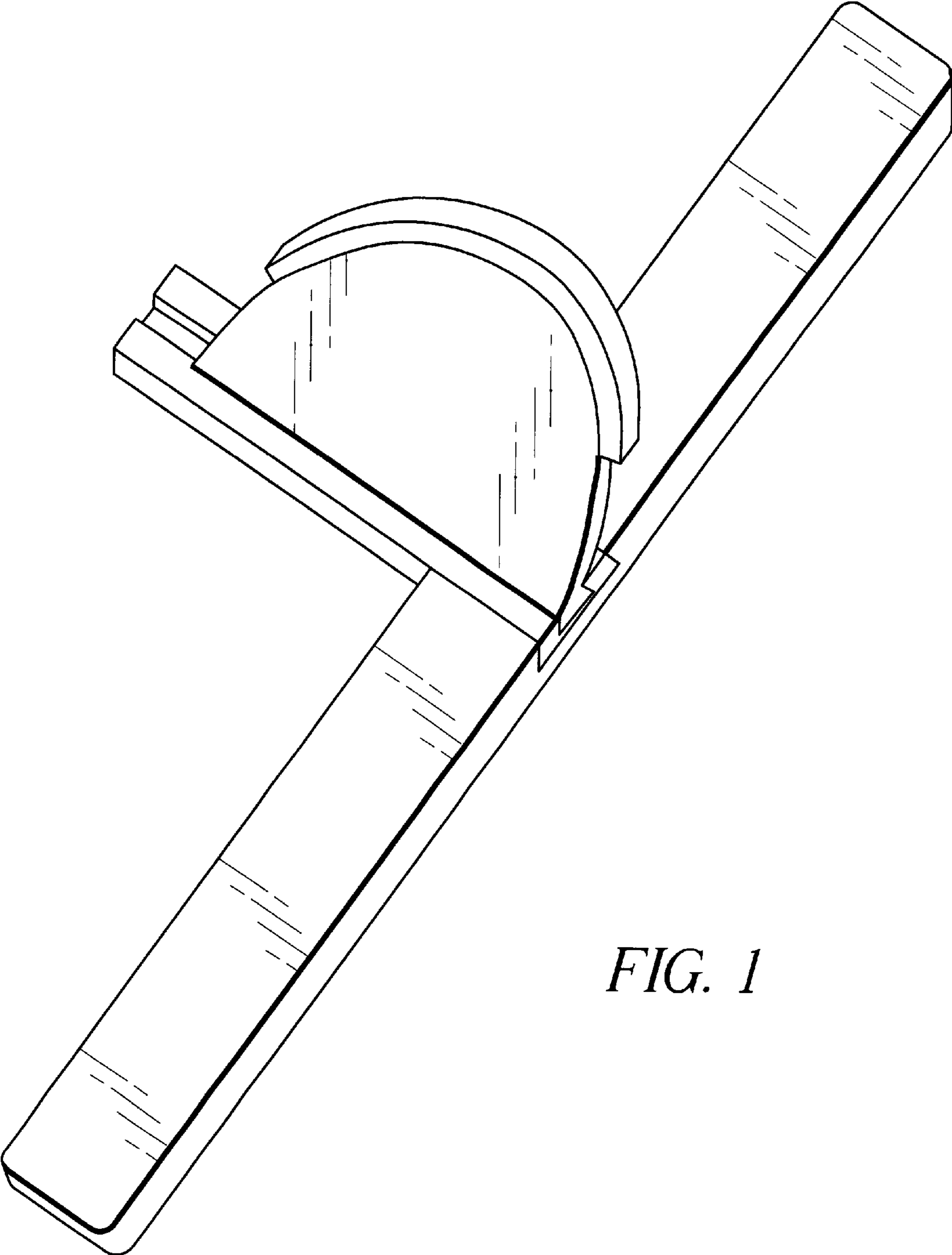


FIG. 1

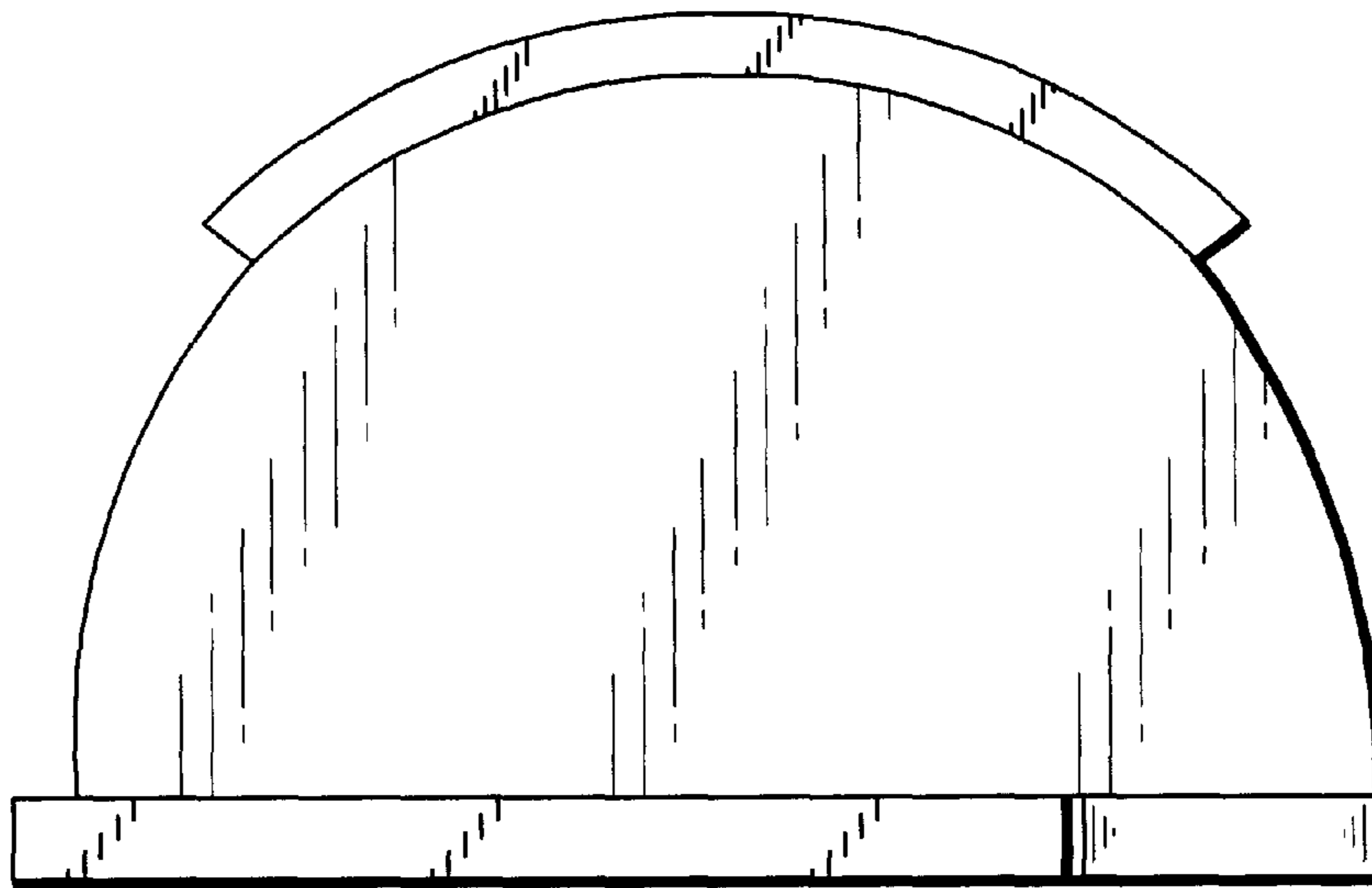


FIG. 2

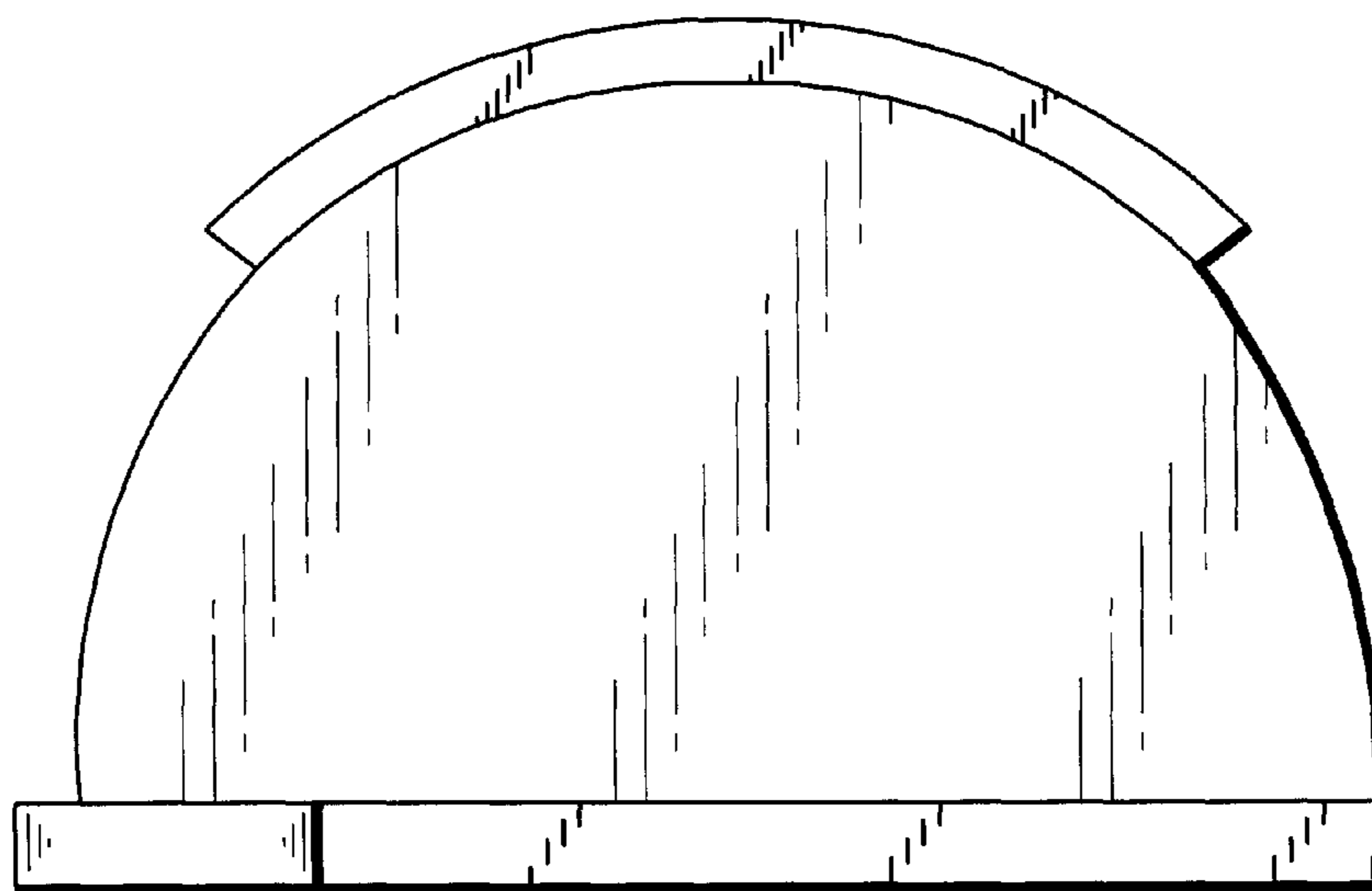


FIG. 3

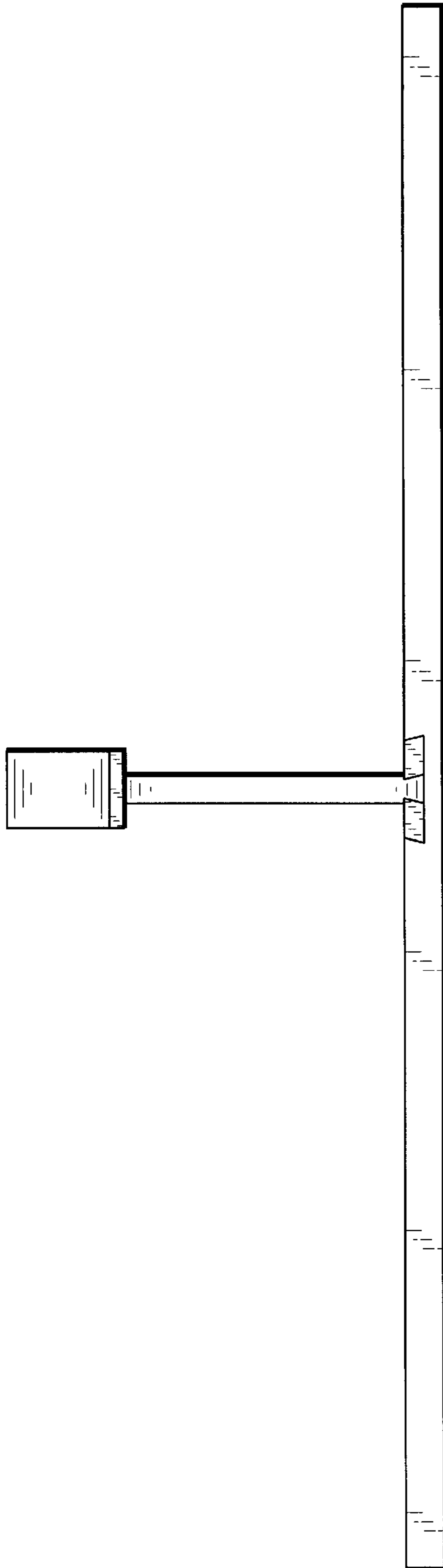


FIG. 4

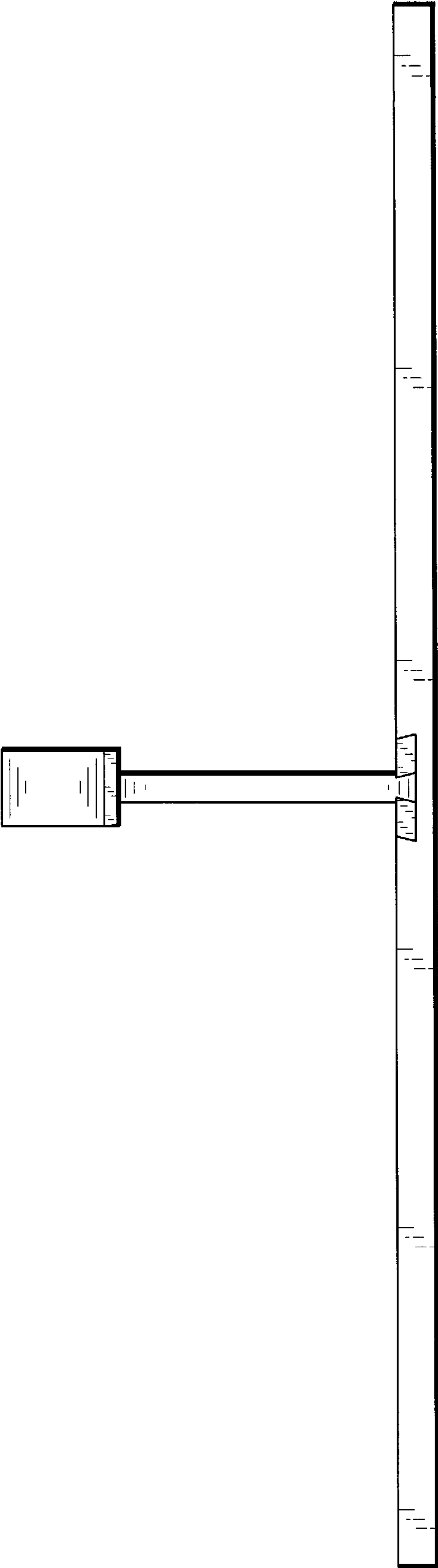


FIG. 5

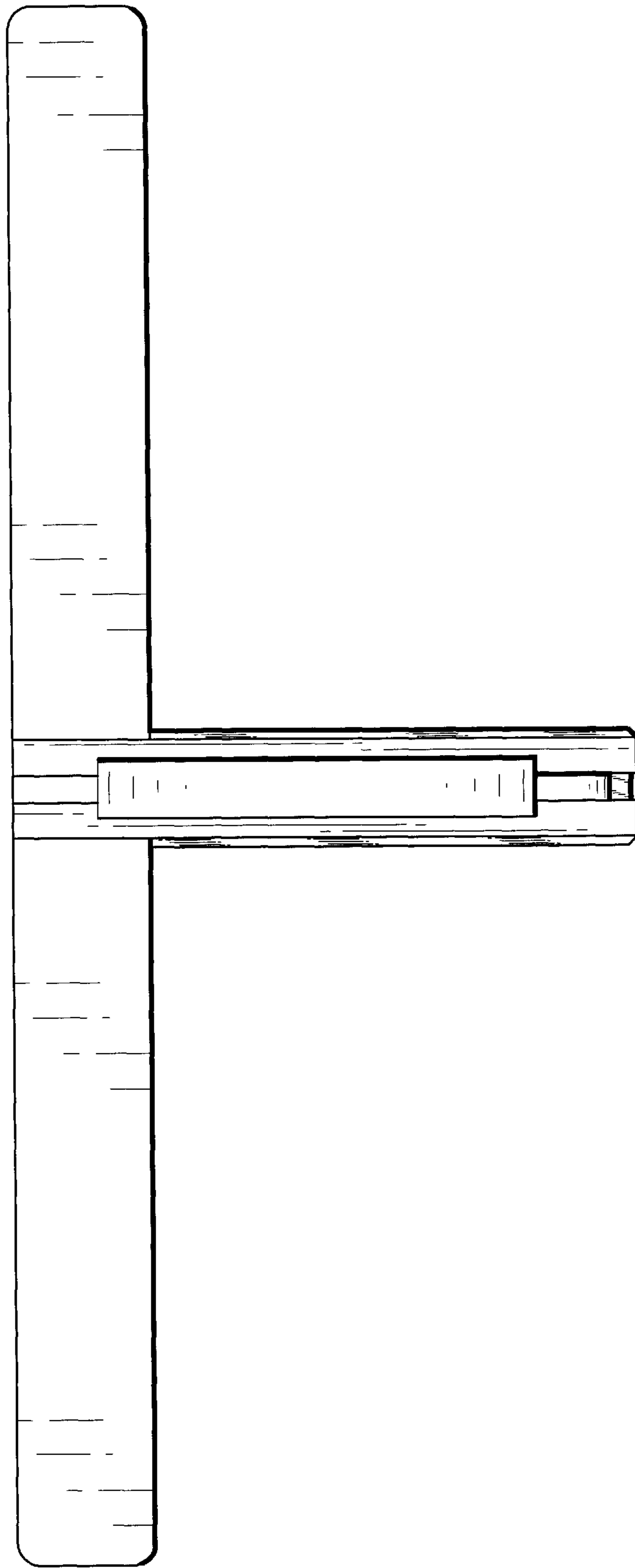


FIG. 6

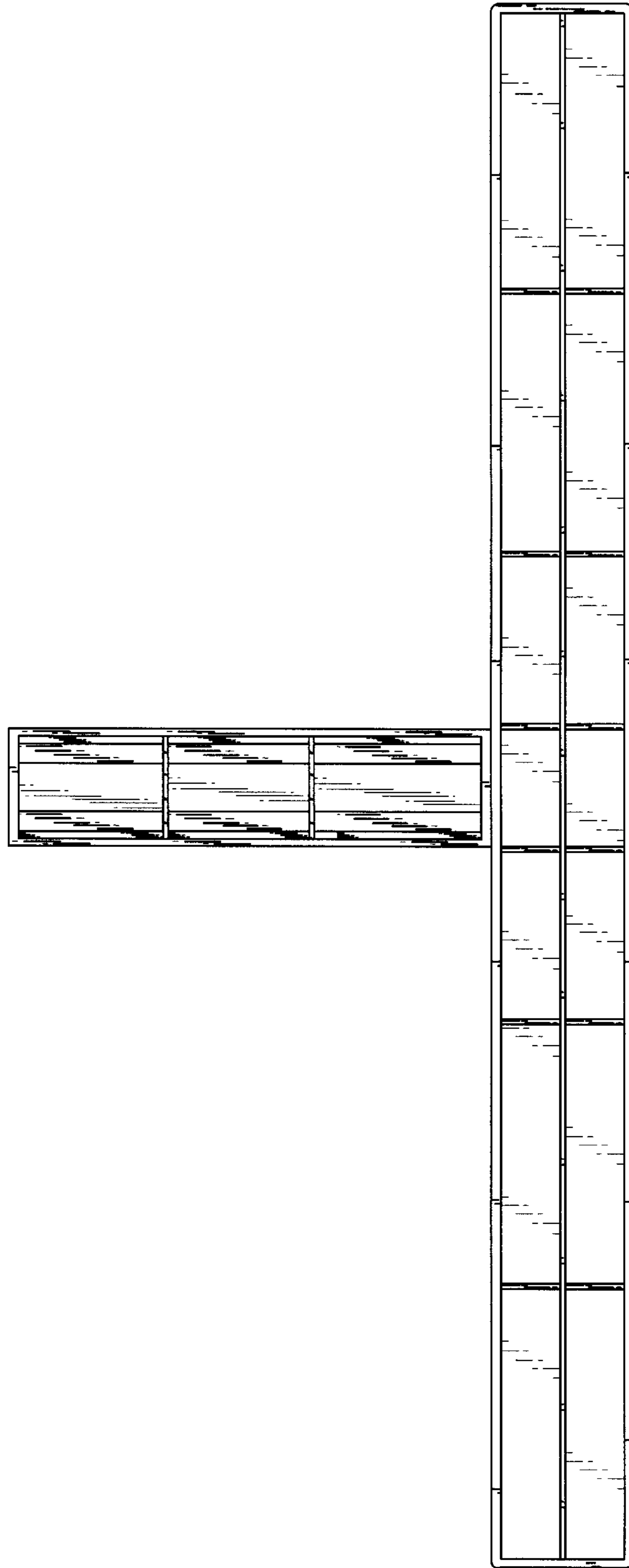


FIG. 7

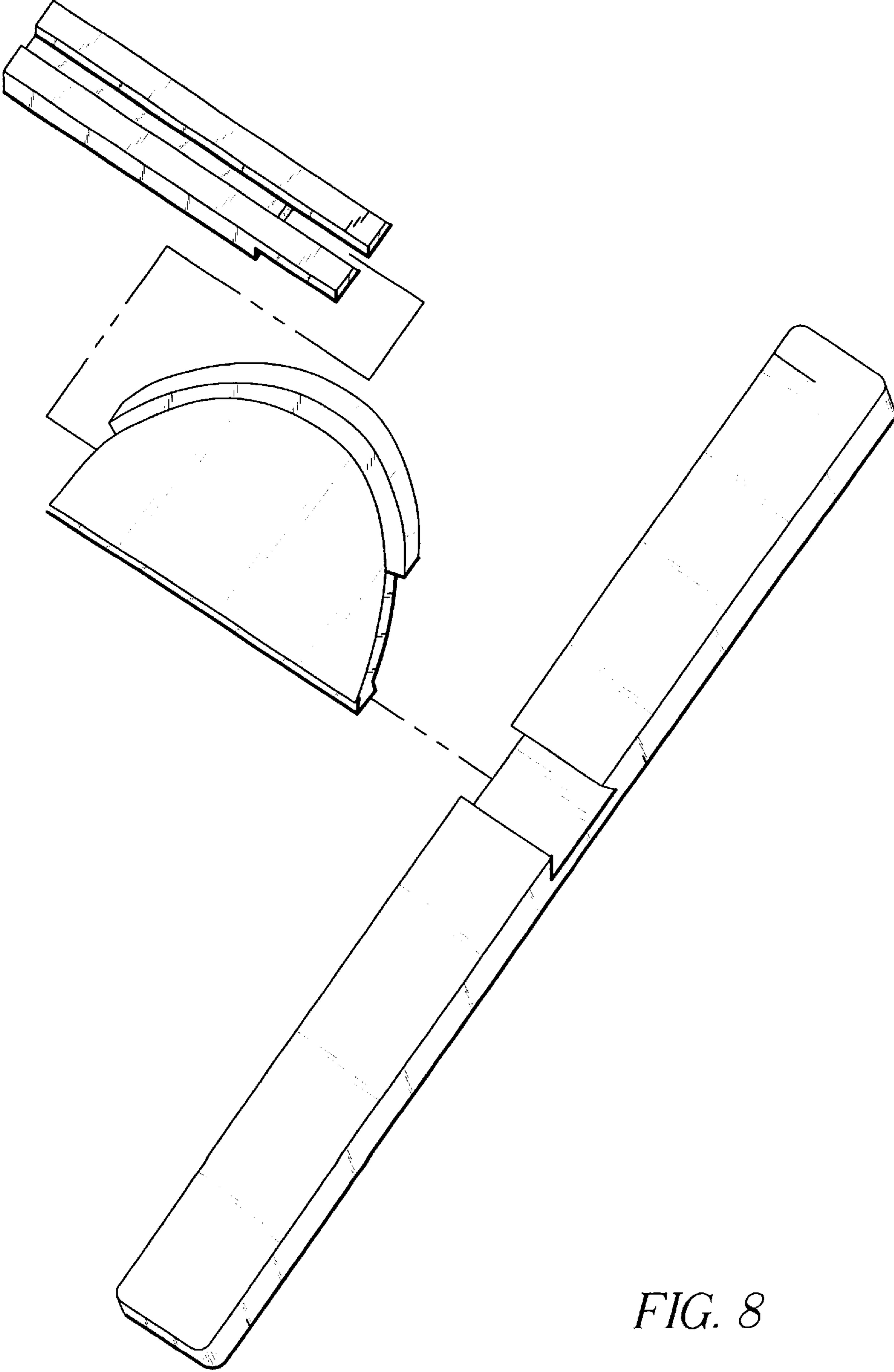


FIG. 8