



US00D518544S

(12) **United States Design Patent**
Peterson

(10) **Patent No.:** **US D518,544 S**

(45) **Date of Patent:** **** Apr. 4, 2006**

(54) **INFLATABLE TOWABLE WATER FLOAT**

(75) Inventor: **Leroy L. Peterson**, Omaha, NE (US)

(73) Assignee: **Sportsstuff, Inc.**, Omaha, NE (US)

(**) Term: **14 Years**

(21) Appl. No.: **29/229,285**

(22) Filed: **May 5, 2005**

(51) **LOC (8) Cl.** **21-02**

(52) **U.S. Cl.** **D21/770; D21/803**

(58) **Field of Classification Search** D21/769,
D21/770, 801, 803, 808, 809, 810; D12/6,
D12/316, 10, 11; 441/35, 65, 40-44, 66,
441/67, 129-132; 114/345, 346, 253; 472/128,
472/129

See application file for complete search history.

(56) **References Cited**

U.S. PATENT DOCUMENTS

3,581,328	A	*	6/1971	Smith	441/67
4,083,070	A	*	4/1978	Martin	441/40
4,619,620	A	*	10/1986	Felter	441/66
4,747,797	A	*	5/1988	Hindle	441/38
5,397,258	A	*	3/1995	Switlik et al.	441/40
5,518,431	A	*	5/1996	Staley	441/130
D407,776	S	*	4/1999	Peterson	D21/803
D407,783	S	*	4/1999	Peterson	D21/803

D415,992	S	*	11/1999	Polley et al.	D12/316
D429,787	S	*	8/2000	Peterson	D21/803
D432,199	S	*	10/2000	Peterson	D21/803
D435,506	S	*	12/2000	Peterson	D12/316
D435,508	S	*	12/2000	Peterson	D12/316
D464,390	S	*	10/2002	Hunter	D21/803

OTHER PUBLICATIONS

Overton's 2004 Spring Master Catalog, pp. 266-279, Towables section, inflatable towable water floats.*

* cited by examiner

Primary Examiner—Lucy Lieberman

(74) *Attorney, Agent, or Firm*—Sturm & Fix LLP

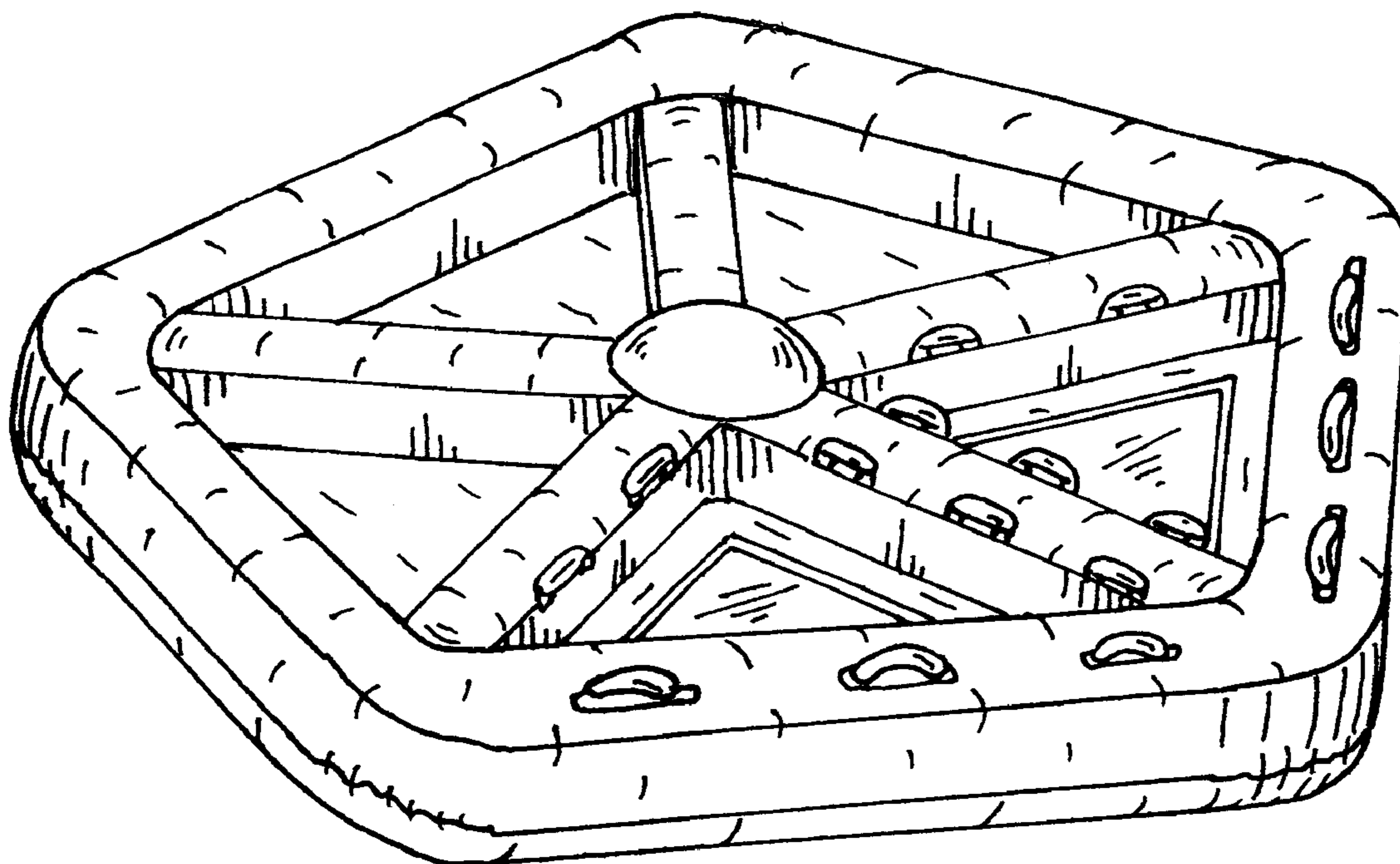
(57) **CLAIM**

The ornamental design for an inflatable towable water float, as shown and described.

DESCRIPTION

FIG. 1 is a perspective view of the inflatable towable water float showing my new design; FIG. 2 is a top plan view thereof; FIG. 3 is a right side elevation of the inflatable towable water float, the left side elevation is a mirror image thereto; FIG. 4 is a bottom plan view thereof; FIG. 5 is a front elevational view thereof; and, FIG. 6 is a rear elevational view thereof.

1 Claim, 2 Drawing Sheets



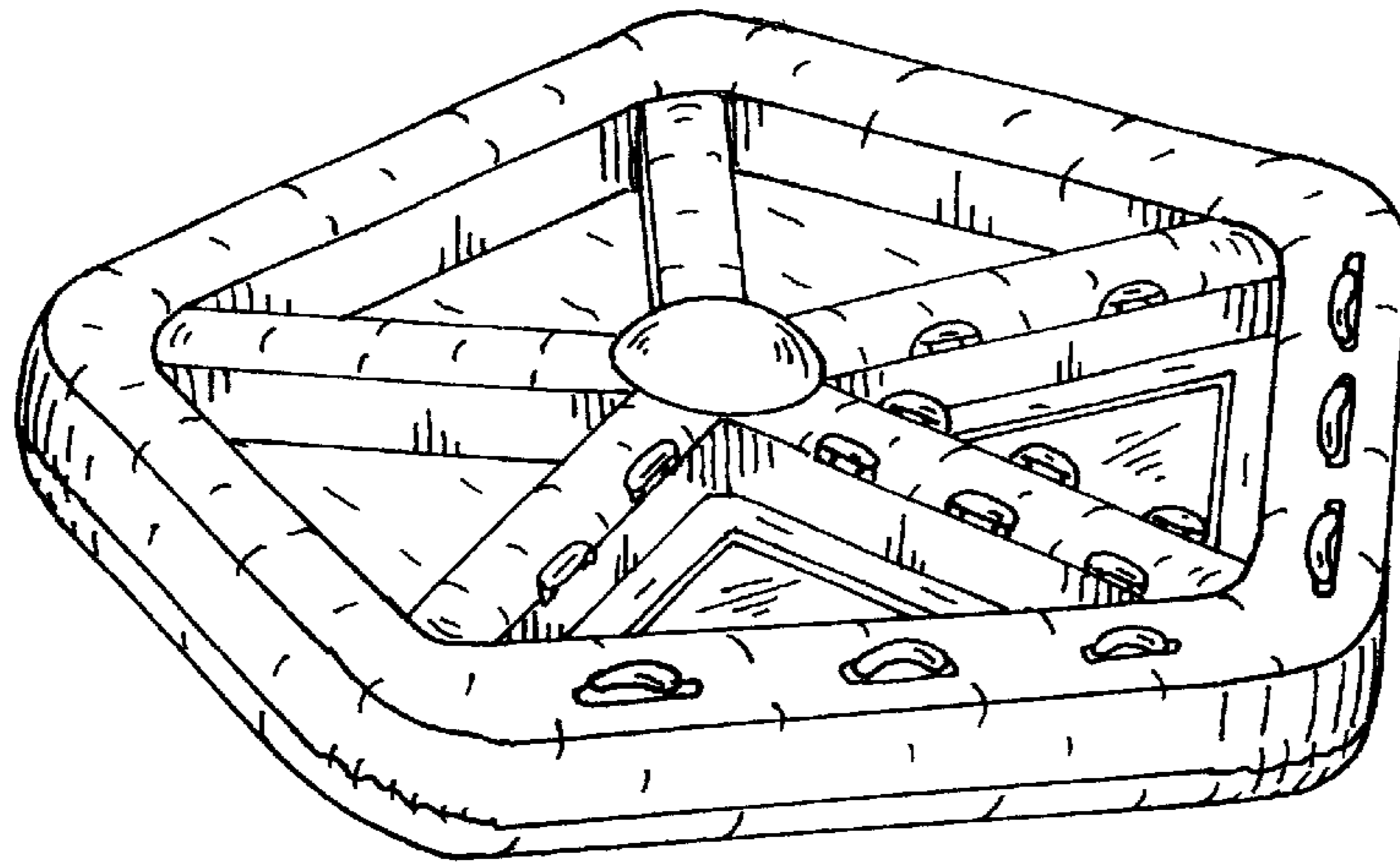


Fig. 1

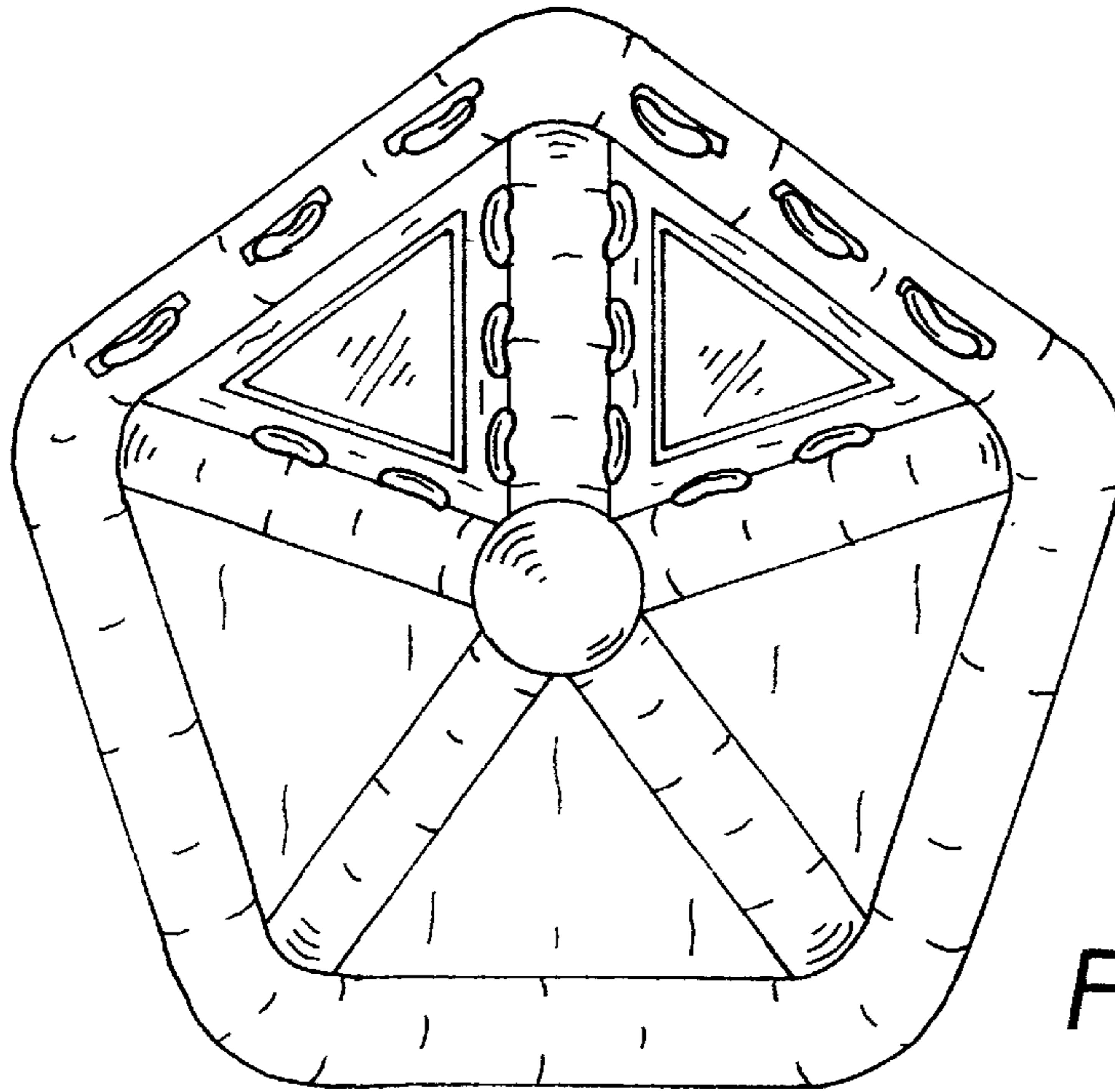


Fig. 2

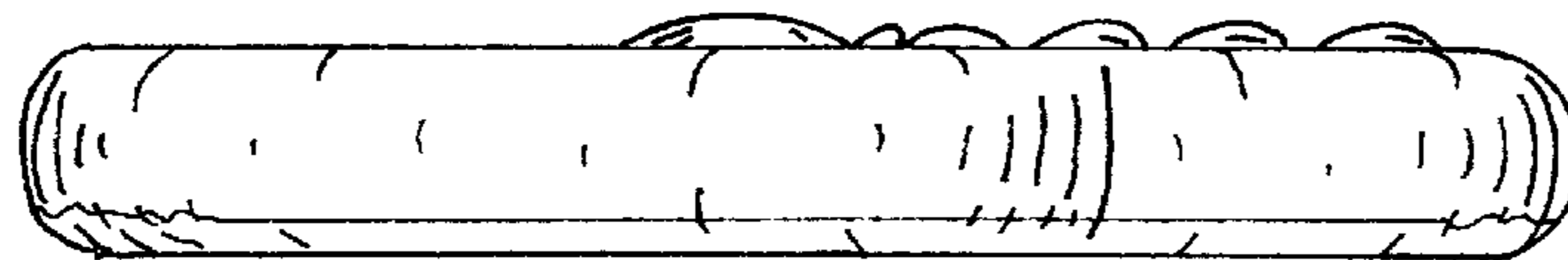


Fig. 3

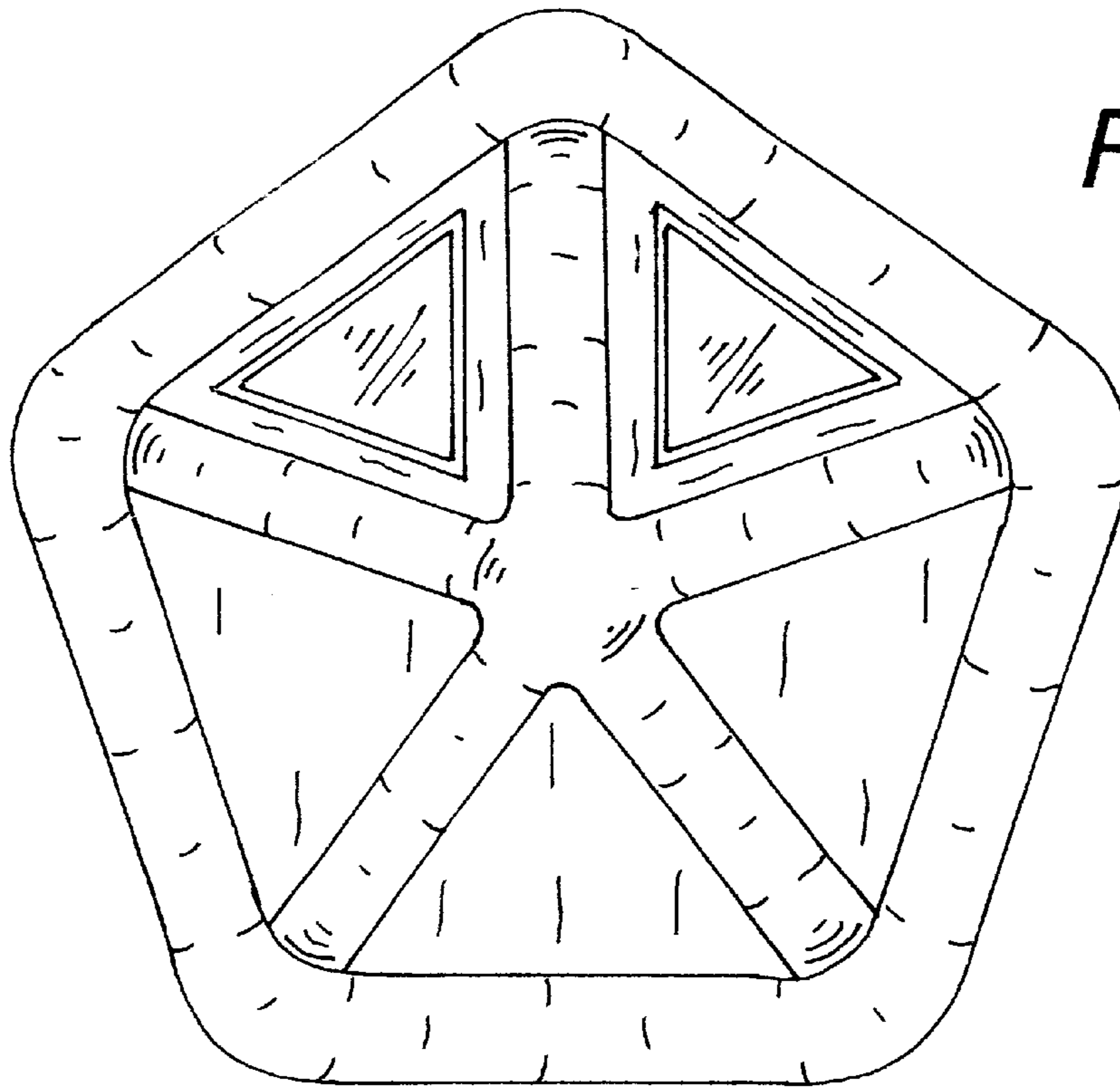


Fig. 4

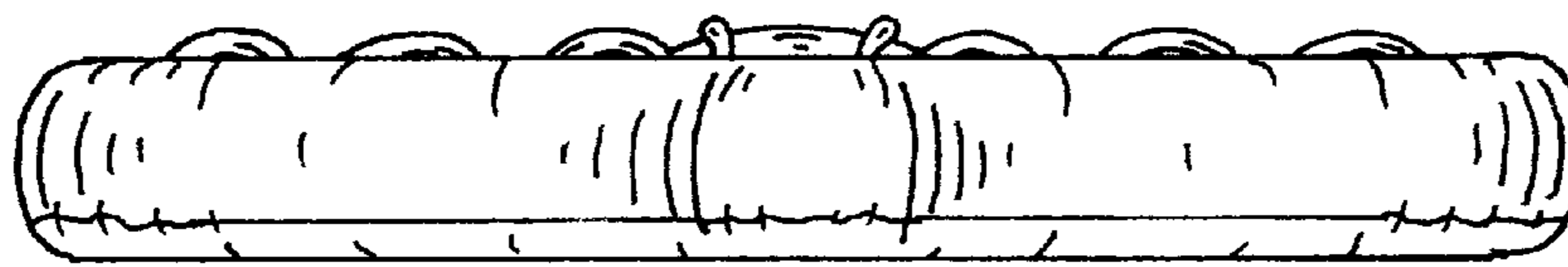


Fig. 5

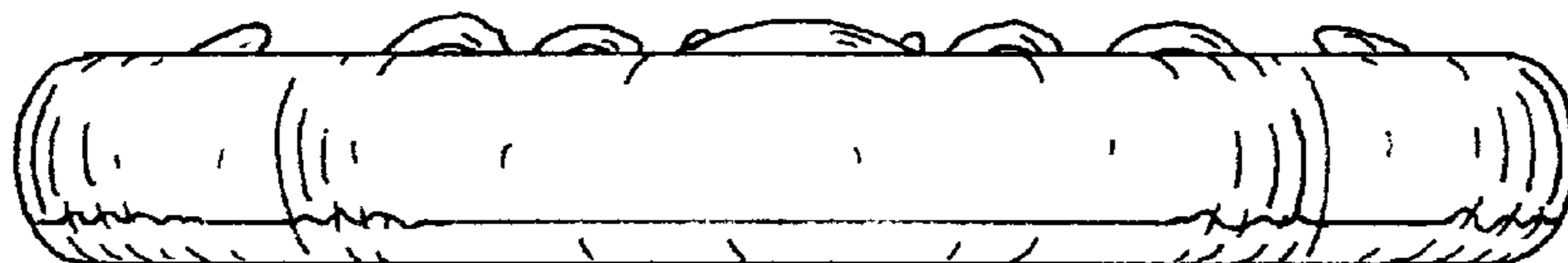


Fig. 6