



US00D518541S

(12) **United States Design Patent**  
**Chiasson**

(10) **Patent No.:** **US D518,541 S**  
(45) **Date of Patent:** **\*\* Apr. 4, 2006**

(54) **GOLF CLUB SHAFT**

(75) Inventor: **James P. Chiasson**, Burlington, VT  
(US)

(73) Assignee: **Greenwood Golf, Inc.**, Burlington, VT  
(US)

(\*\*) Term: **14 Years**

(21) Appl. No.: **29/215,832**

(22) Filed: **Oct. 25, 2004**

(51) **LOC (8) Cl.** ..... **21-02**

(52) **U.S. Cl.** ..... **D21/757**

(58) **Field of Classification Search** ..... D21/756-757,  
D21/759; 473/316-323

See application file for complete search history.

(56) **References Cited**

U.S. PATENT DOCUMENTS

5,632,692	A	*	5/1997	Lebovici	.....	473/317
D436,138	S	*	1/2001	Chiasson	.....	D21/757
D499,459	S	*	12/2004	Chiasson	.....	D21/757
D501,904	S	*	2/2005	Ferris	.....	D21/757

\* cited by examiner

*Primary Examiner*—Mitchell Siegel

(74) *Attorney, Agent, or Firm*—Downs Rachlin Martin  
PLLC

(57) **CLAIM**

I claim the ornamental design for a golf club shaft, as shown  
and described.

**DESCRIPTION**

FIG. 1 is a perspective view of the shaft of one embodiment  
of the design;

FIG. 2 is a side elevation of one side of the shaft, of the  
design of FIG. 1;

FIG. 3 is a side elevation of another side of the shaft  
disposed 90° relative to the view of FIG. 2, of the design of  
FIG. 1;

FIG. 4 is a side elevation view of the shaft opposite the side  
shown in FIG. 2, of the design of FIG. 1;

FIG. 5 is a side elevation view of the shaft opposite the side  
shown in FIG. 3, of the design of FIG. 1;

FIG. 6 is a perspective view looking down on the shaft and  
showing its lower end, of the design of FIG. 1;

FIG. 7 is a perspective view looking up at the shaft and  
showing its upper end, of the design of FIG. 1;

FIG. 8 is a perspective view of another embodiment of the  
design, which is identical to the embodiment of FIG. 1,  
except that light and dark materials are reversed;

FIG. 9 is a side elevation of one side of the shaft, of the  
design of FIG. 8;

FIG. 10 is a side elevation of another side of the shaft  
disposed 90° relative to the view of FIG. 9, of the design of  
FIG. 8;

FIG. 11 is a side elevation of the shaft opposite the side  
shown in FIG. 9, of the design of FIG. 8;

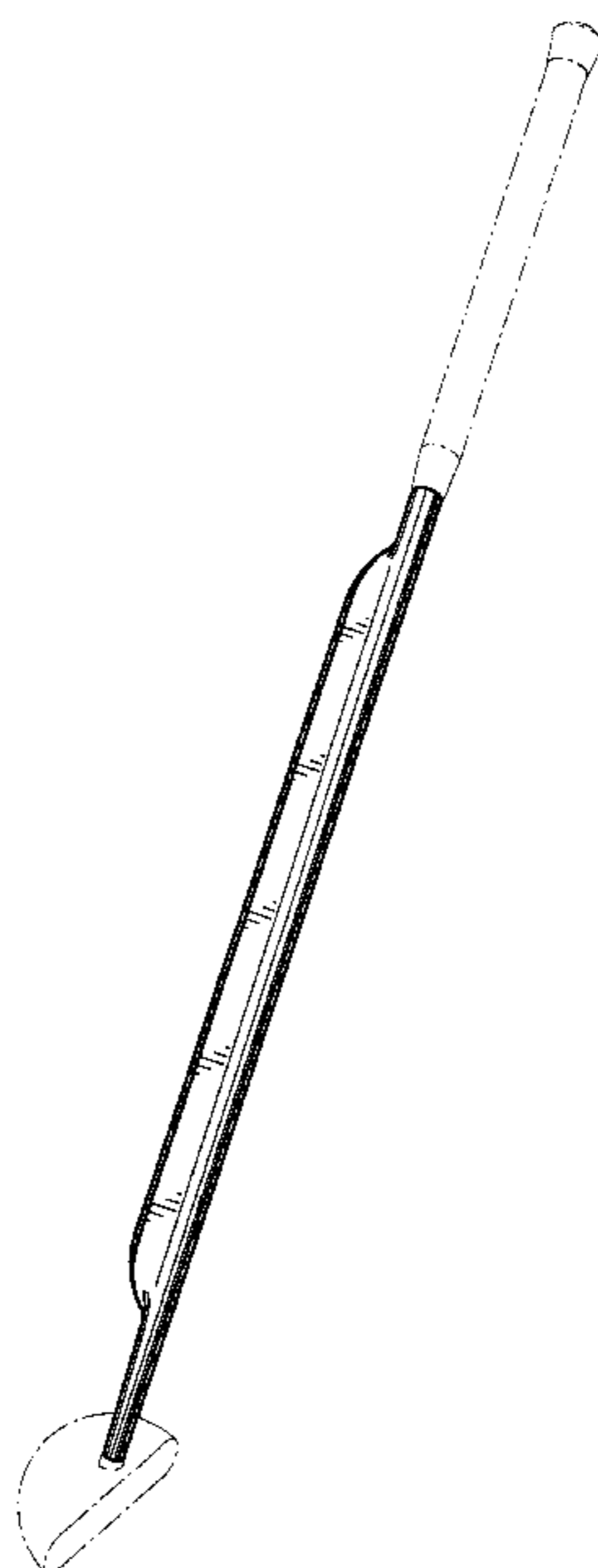
FIG. 12 is a side elevation of the shaft opposite the side  
shown in FIG. 10, of the design of FIG. 8;

FIG. 13 is a perspective view looking down on the shaft and  
showing its lower end, of the design of FIG. 8; and,

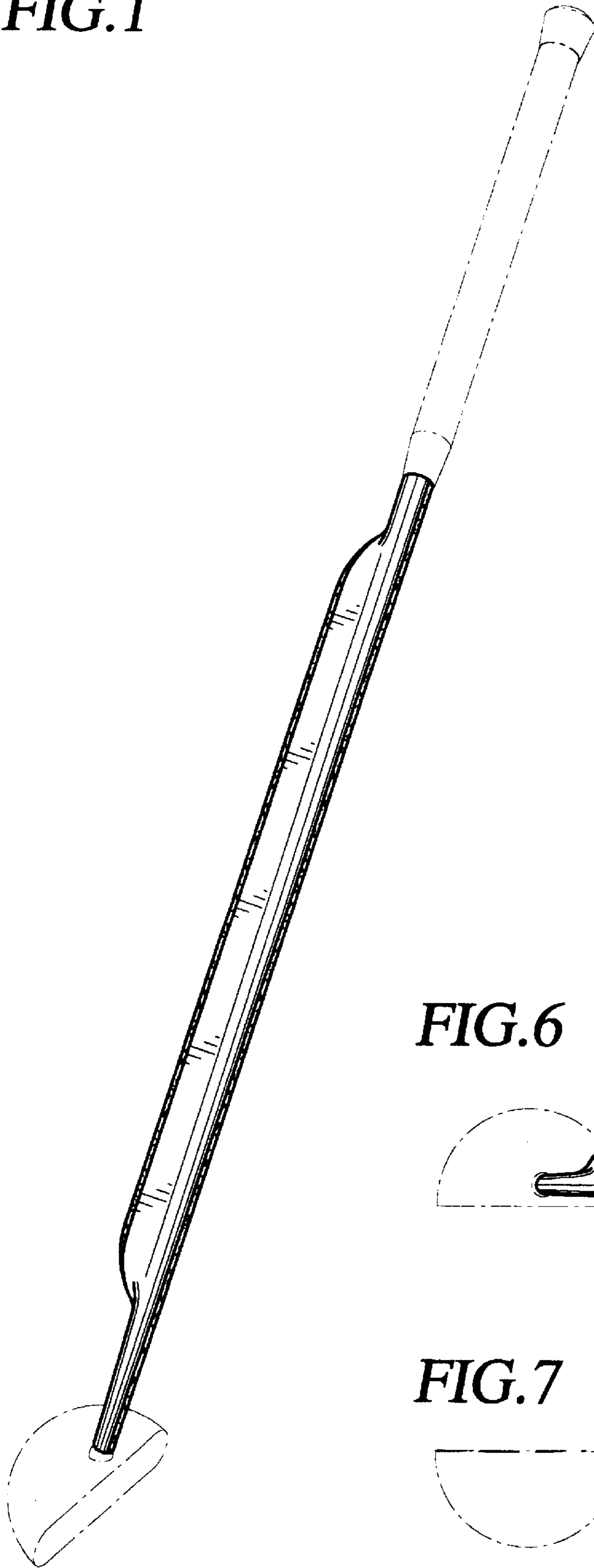
FIG. 14 is a perspective view looking up at the shaft and  
showing its upper end, of the design of FIG. 8.

The contrast of line shading and stippling is used to show a  
difference in materials. The broken line showing of is for  
illustrative purposes only and forms no part of the claimed  
design.

**1 Claim, 6 Drawing Sheets**



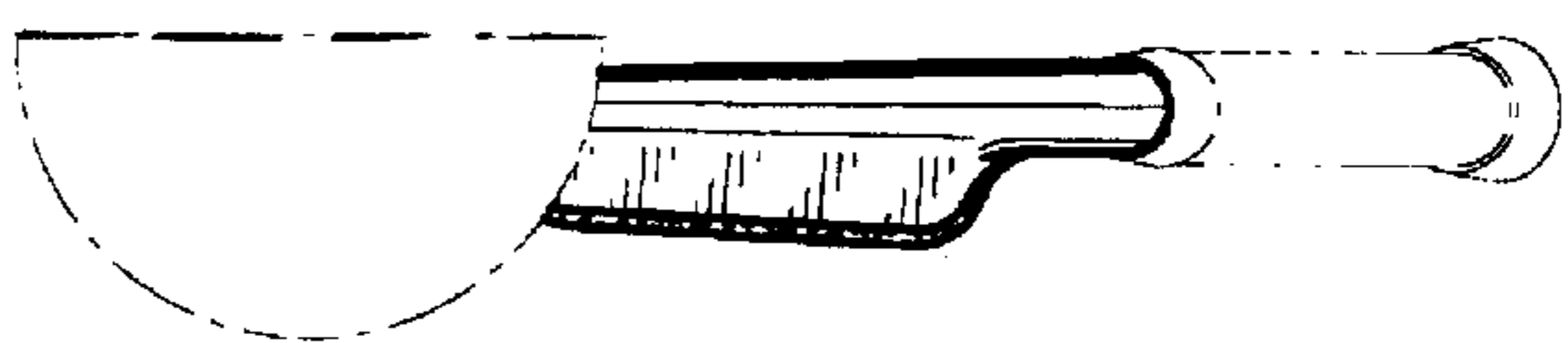
**FIG. 1**



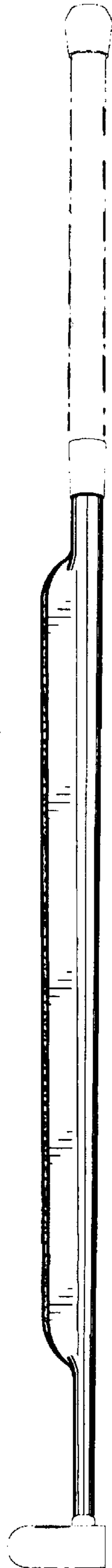
**FIG. 6**



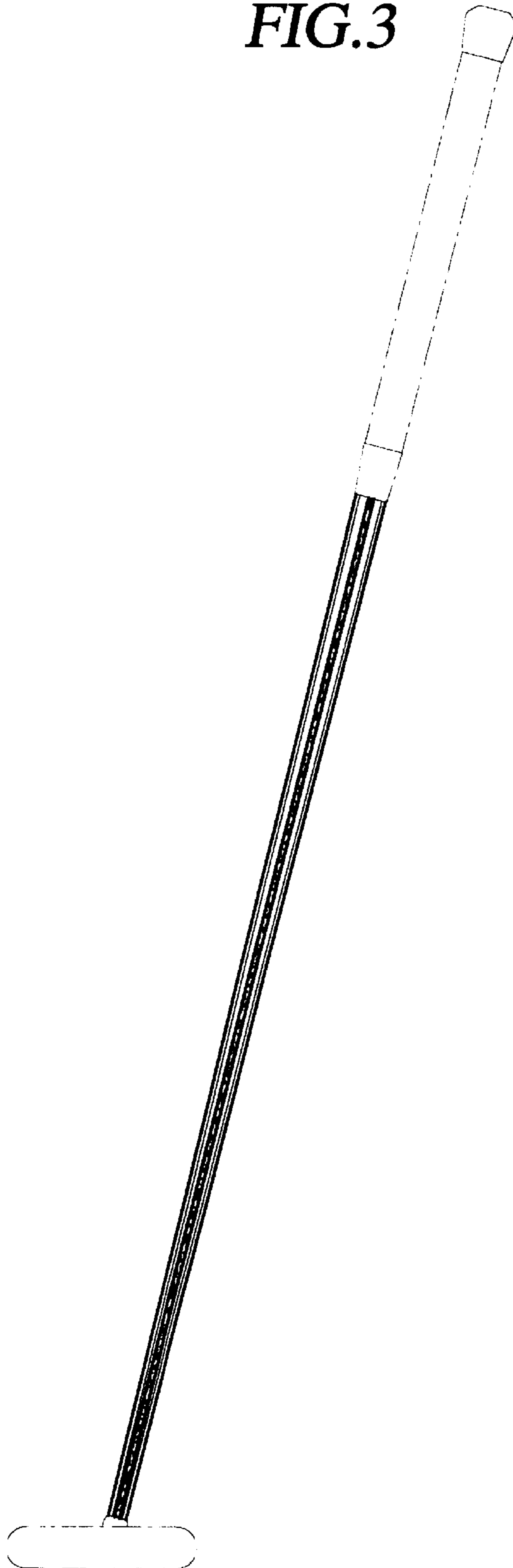
**FIG. 7**



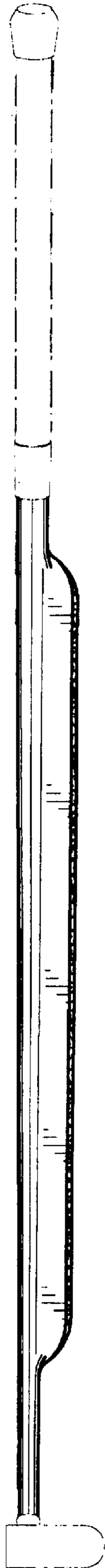
*FIG.2*



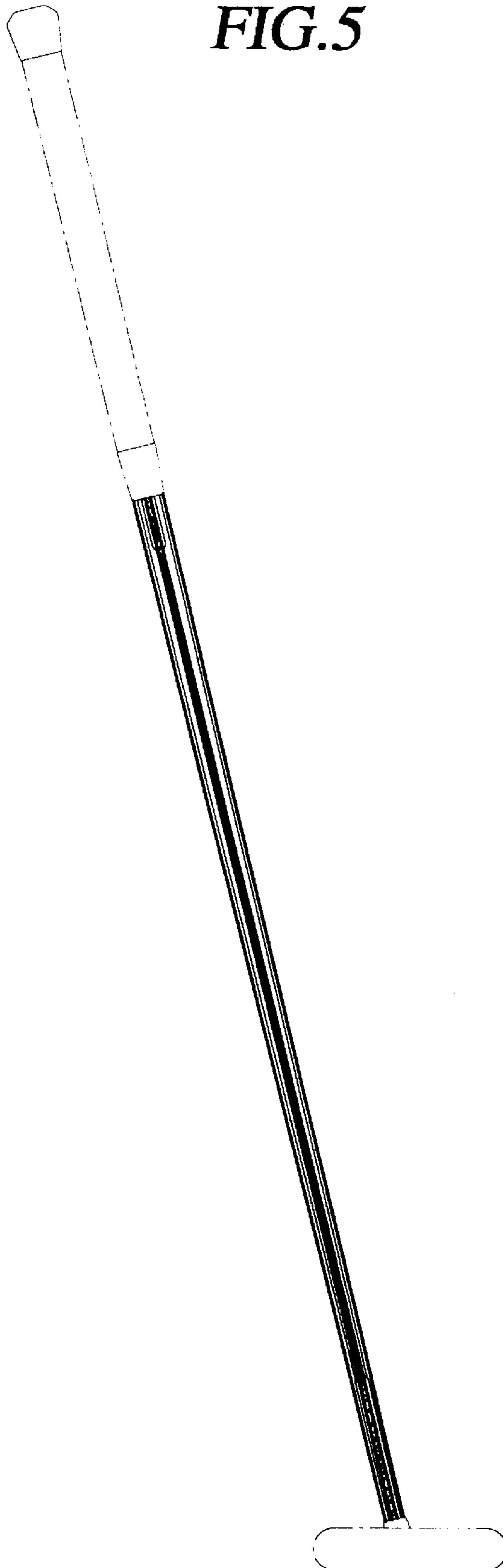
*FIG.3*



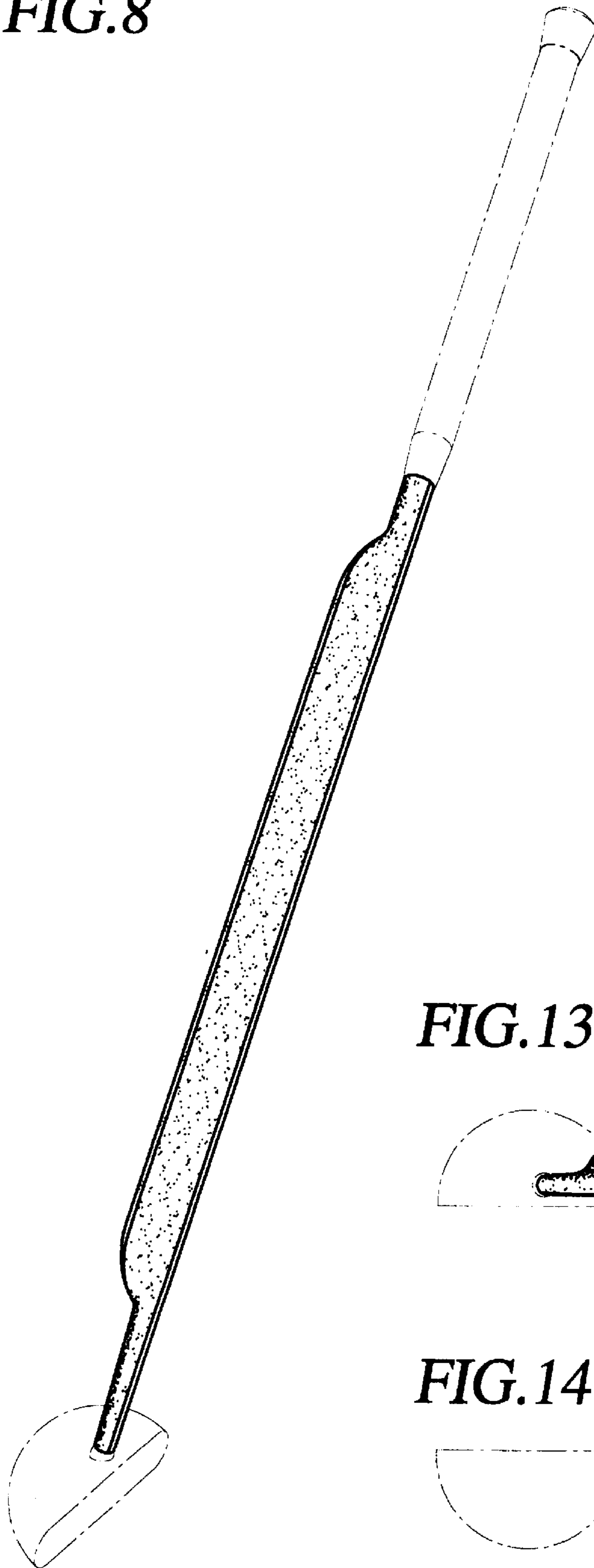
**FIG.4**



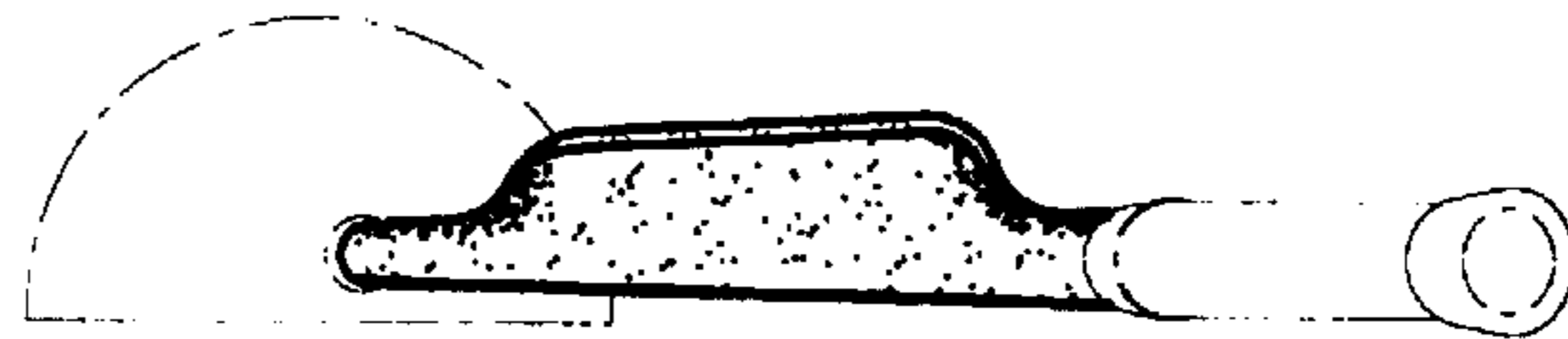
**FIG.5**



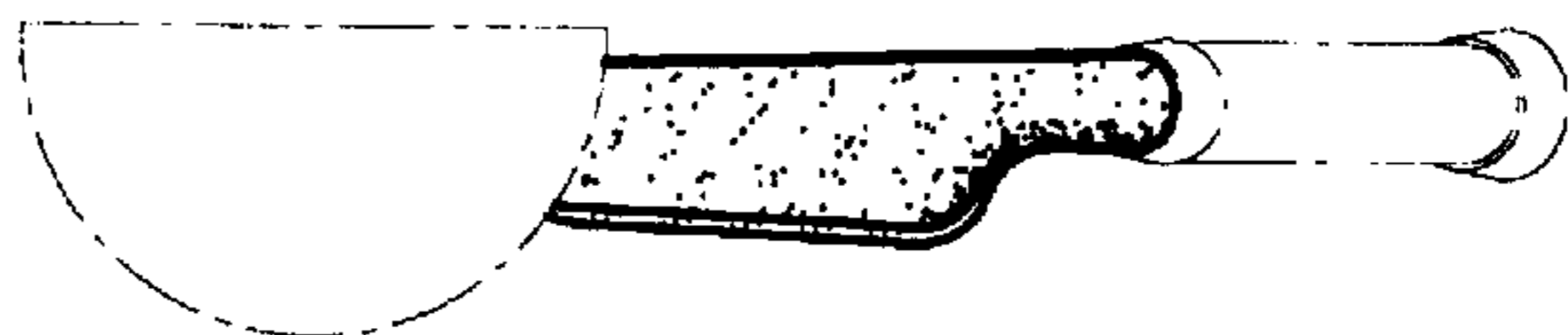
**FIG. 8**



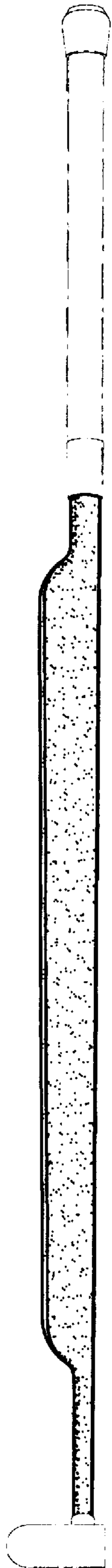
**FIG. 13**



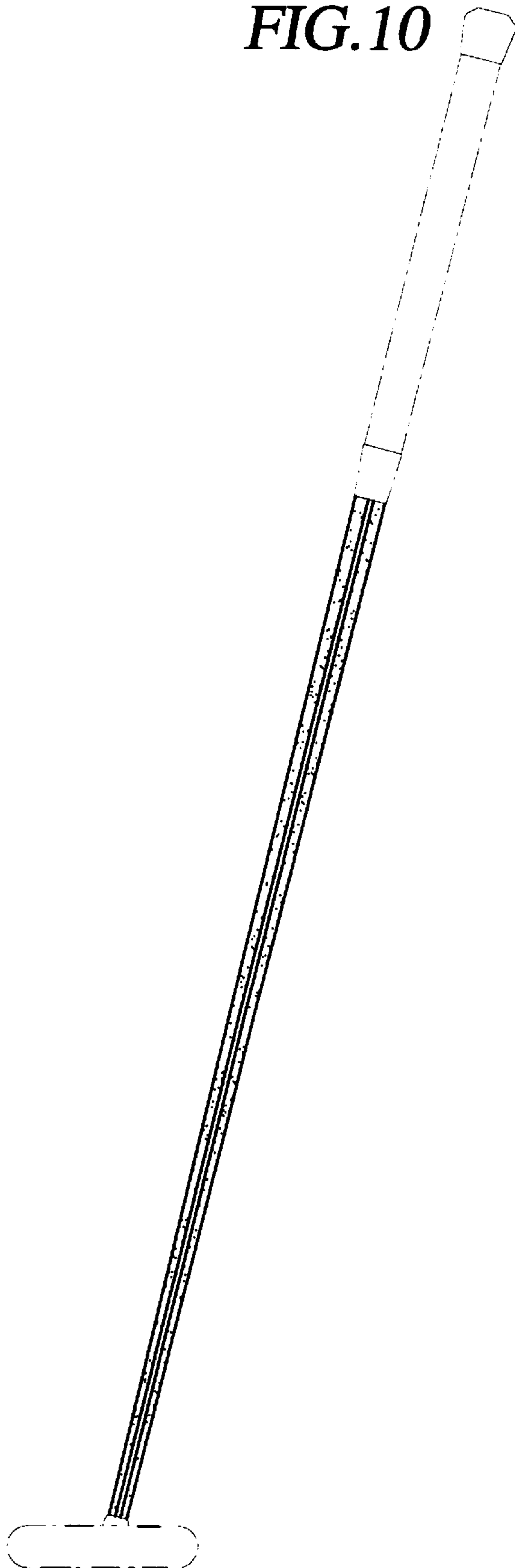
**FIG. 14**



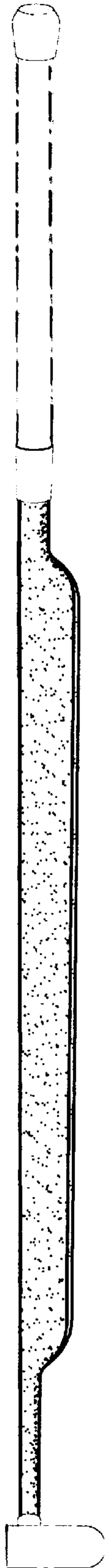
**FIG.9**



**FIG.10**



*FIG. 11*



*FIG. 12*

