



US00D518540S

(12) **United States Design Patent**
McCabe

(10) **Patent No.:** **US D518,540 S**

(45) **Date of Patent:** **** Apr. 4, 2006**

(54) **GOLF CLUB COVER**

(75) Inventor: **Robert McCabe**, LaGrange, IL (US)

(73) Assignee: **Jetpower, Inc.**, LaGrange, IL (US)

(**) Term: **14 Years**

(21) Appl. No.: **29/220,223**

(22) Filed: **Dec. 28, 2004**

(51) **LOC (8) Cl.** **21-02**

(52) **U.S. Cl.** **D21/754**

(58) **Field of Classification Search** D21/754;
150/160

See application file for complete search history.

(56) **References Cited**

U.S. PATENT DOCUMENTS

D395,694 S	*	6/1998	Perry et al.	D21/754
D401,638 S	*	11/1998	Pollard	D21/754
D403,727 S	*	1/1999	Colinelli	D21/754
6,113,457 A	*	9/2000	Kociemba	446/297
D443,666 S	*	6/2001	Perry et al.	D21/754
D465,536 S	*	11/2002	Pontiff	D21/754

D466,568 S	*	12/2002	Pontiff	D21/754
D466,572 S	*	12/2002	Pontiff	D21/754
D506,519 S	*	6/2005	McCabe	D21/754
D508,100 S	*	8/2005	McCabe	D21/754

* cited by examiner

Primary Examiner—Mitchell Siegel

(74) *Attorney, Agent, or Firm*—Justin Lampel

(57) **CLAIM**

The ornamental design for a golf club cover, as shown and described.

DESCRIPTION

FIG. 1 is an upper-right perspective view of a golf club cover showing my design;

FIG. 2 is a right side plan view of the present invention;

FIG. 3 is a top plan view of the present invention;

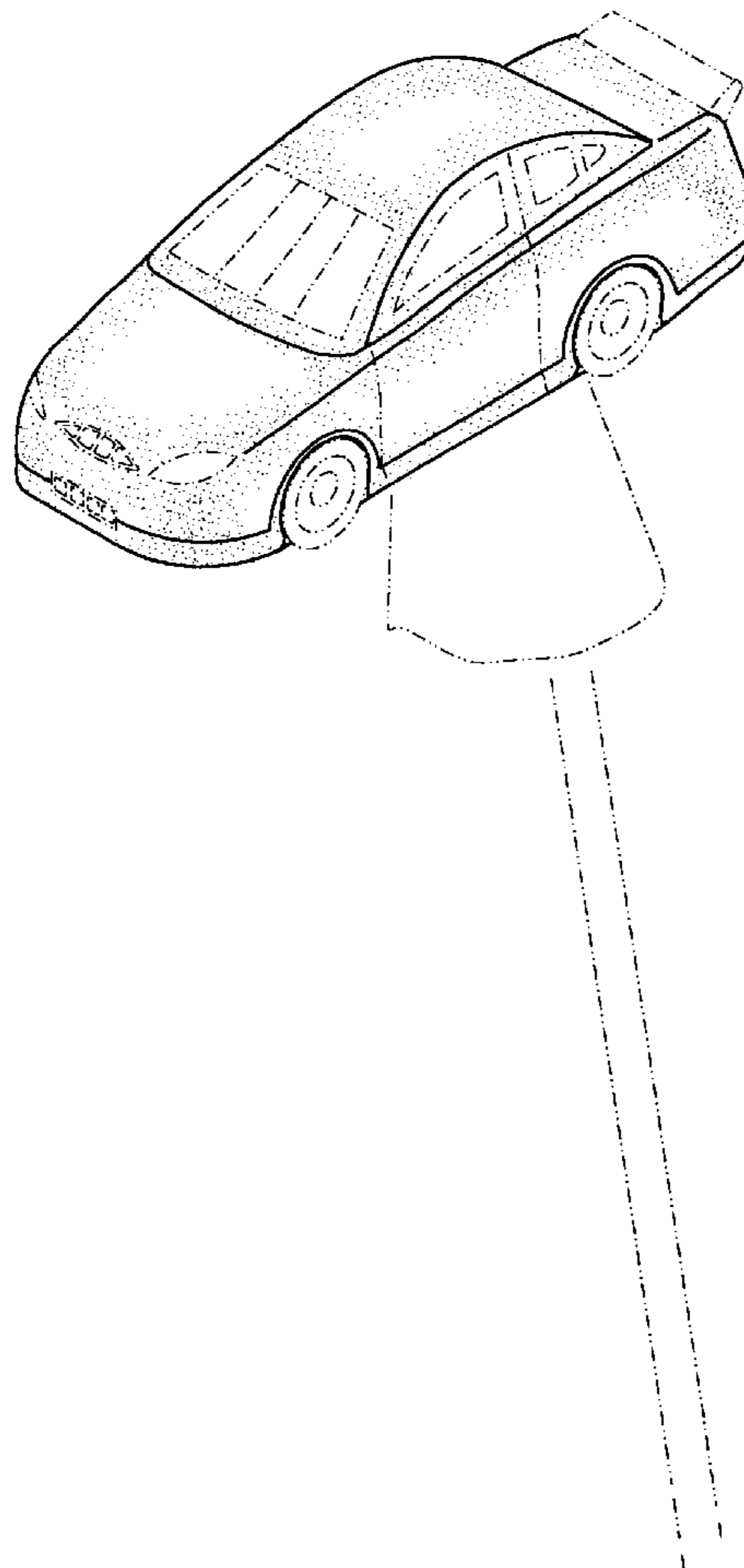
FIG. 4 is a front plan view of the present invention;

FIG. 5 is a back plan view of the present invention; and,

FIG. 6 is a bottom plan view of the present invention.

The broken line showing of is for illustrative purposes only and forms no part of the claimed design.

1 Claim, 4 Drawing Sheets



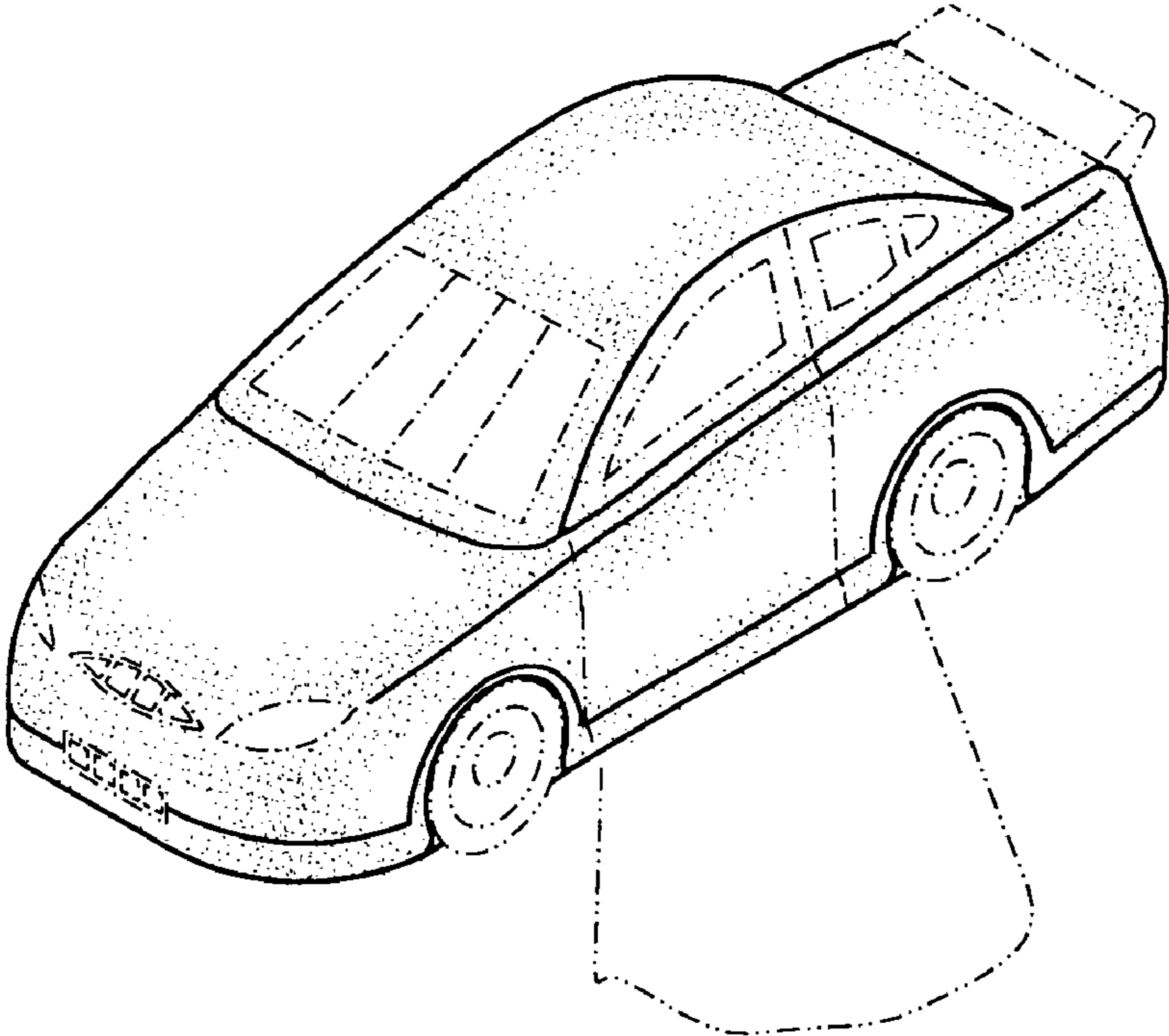


FIG. 1

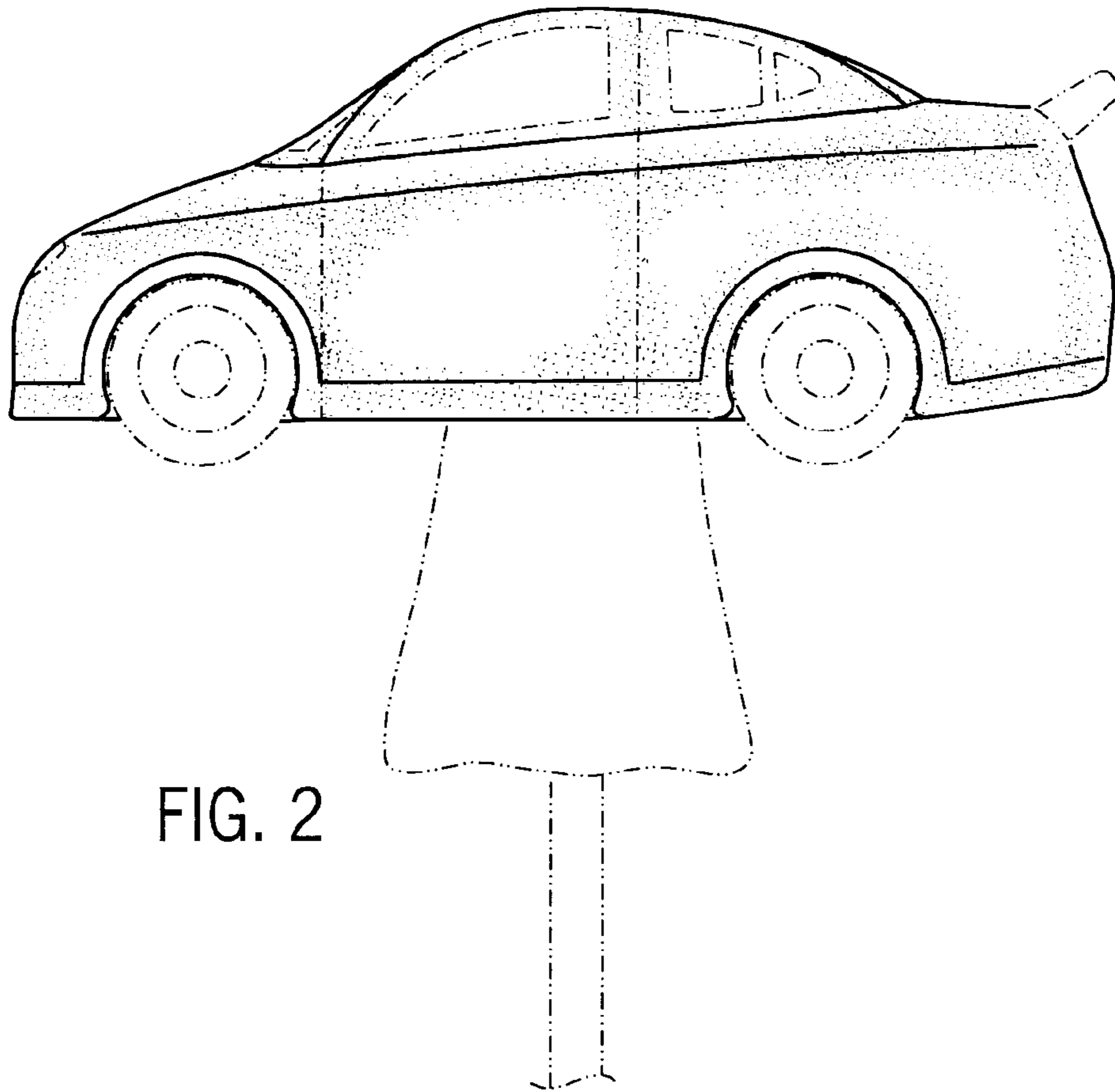
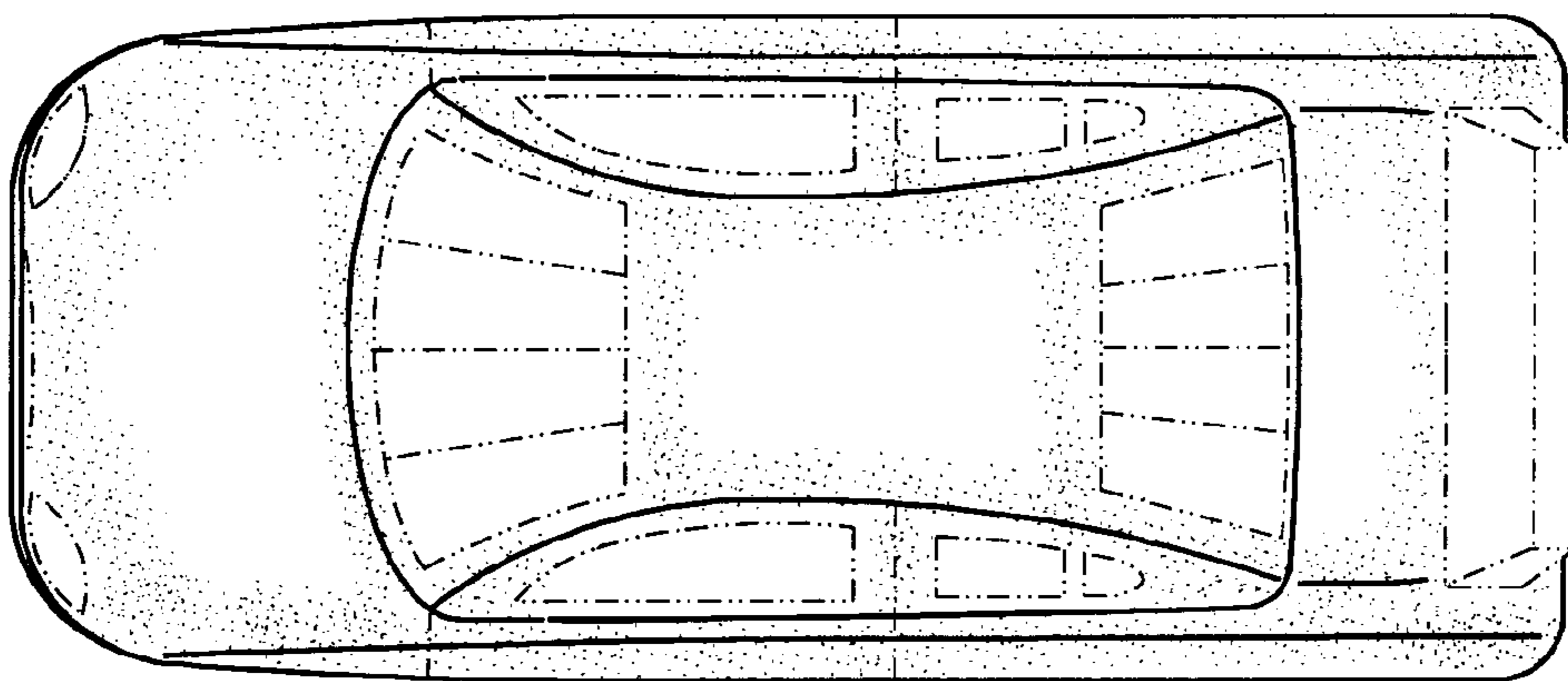


FIG. 2

FIG. 3



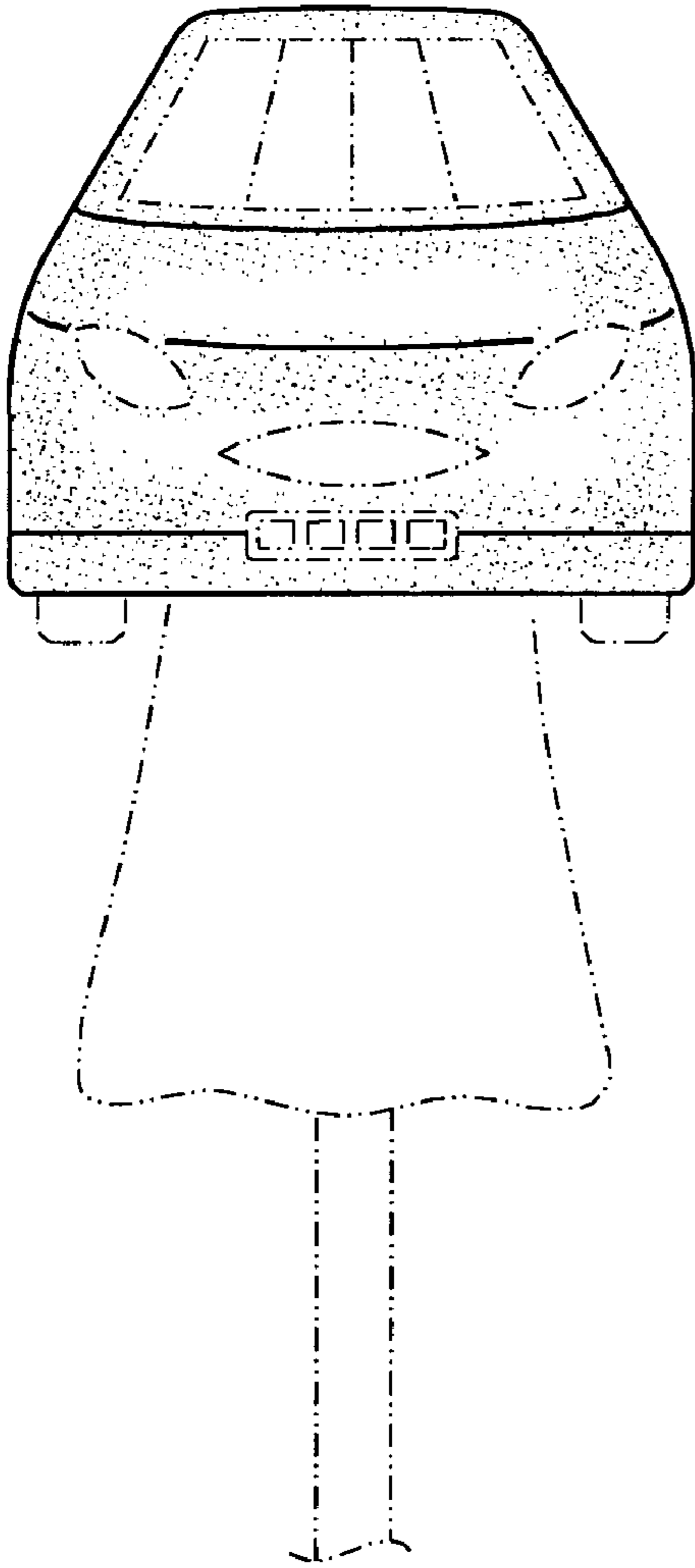


FIG. 4

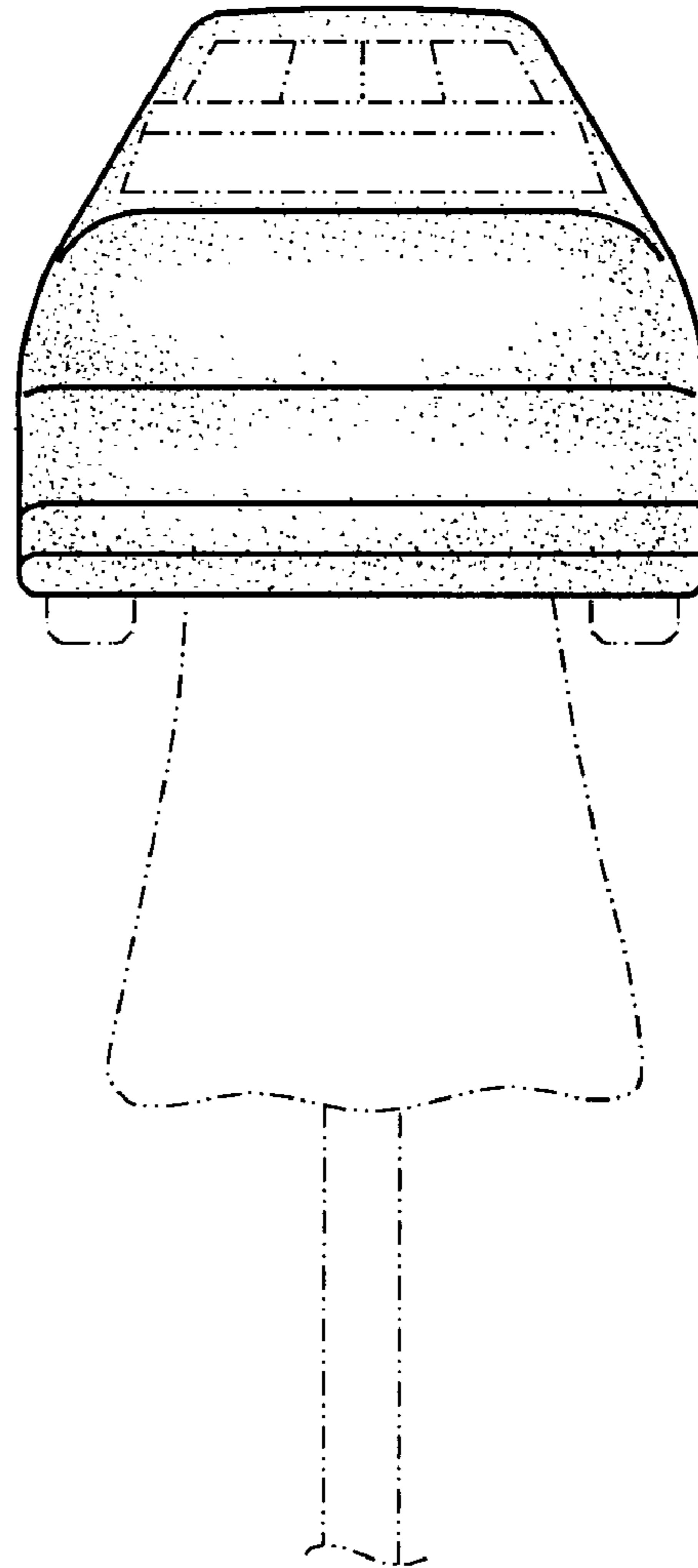


FIG. 5

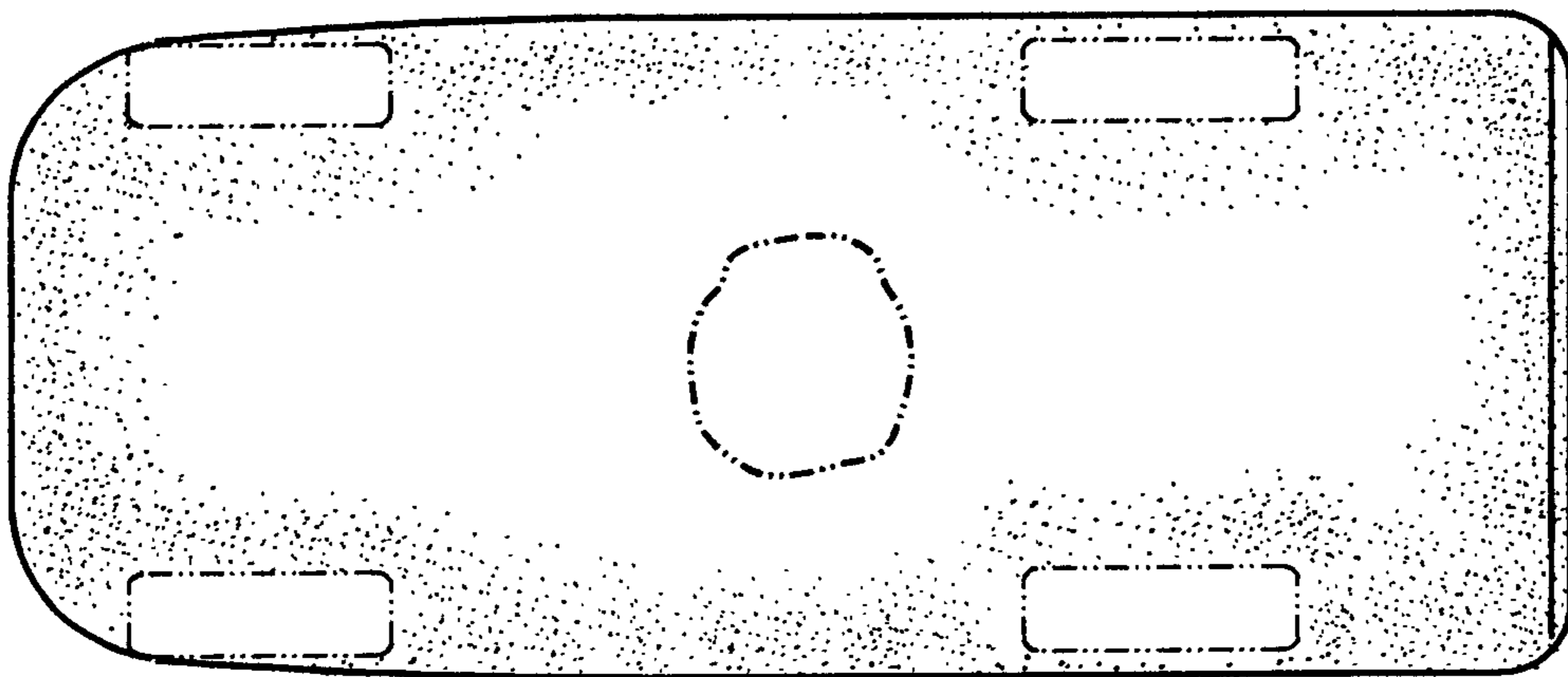


FIG. 6