

US00D518537S

(12) **United States Design Patent**  
**Lee et al.**

(10) **Patent No.:** **US D518,537 S**  
(45) **Date of Patent:** **\*\* Apr. 4, 2006**

(54) **GOLF TEE FOR MAT**

6,328,663 B1 \* 12/2001 Lipstock ..... 473/396

(76) Inventors: **Hyung Choon Lee**, 86-18,  
Dodang-dong, Wonmi-gu, Bucheon-si,  
Kyungki-do, 420-803 (KR); **Seong Eun**  
**Lee**, 86-1, Dodang-dong, Wonmi-gu,  
Bucheon-si, Kyungki-do, 420-803 (KR)

FOREIGN PATENT DOCUMENTS  
EP 0142243 A1 \* 5/1985  
GB 2290481 A \* 1/1996  
JP 05337226 A \* 12/1993

\* cited by examiner

(\*\*) **Term:** **14 Years**

*Primary Examiner*—Catherine Tuttle  
(74) *Attorney, Agent, or Firm*—Birch, Stewart, Kolasch &  
Birch, LLP

(21) **Appl. No.:** **29/222,000**

(22) **Filed:** **Jan. 26, 2005**

(57) **CLAIM**

(51) **LOC (8) Cl.** ..... **21-02**

The ornamental design for a golf tee for mat, as shown and described.

(52) **U.S. Cl.** ..... **D21/717**

(58) **Field of Classification Search** ..... D21/715–721,  
D21/789–796; 473/386–403

**DESCRIPTION**

See application file for complete search history.

FIG. 1 is a perspective view of the golf tee for mat showing our new design;

(56) **References Cited**

**U.S. PATENT DOCUMENTS**

D31,878 S	*	11/1899	Sewall	.....	D21/717
2,661,213 A	*	12/1953	Barnard	.....	473/394
D216,904 S	*	3/1970	Skyhawk	.....	D21/720
D266,860 S	*	11/1982	Nelson	.....	D21/717
D270,463 S	*	9/1983	Minotti	.....	D21/717
D306,751 S	*	3/1990	Orton	.....	D21/717
5,156,403 A	*	10/1992	Martino	.....	473/278
5,242,161 A	*	9/1993	Wilkirson	.....	473/386
5,766,100 A	*	6/1998	Dilmore	.....	473/396
D420,076 S	*	2/2000	Mezzadra	.....	D21/717
6,062,989 A	*	5/2000	Wagner et al.	.....	473/386

FIG. 2 is a front view thereof, the rear view being identical to the front view;

FIG. 3 is a left side view thereof, the right side view being identical to the left side view;

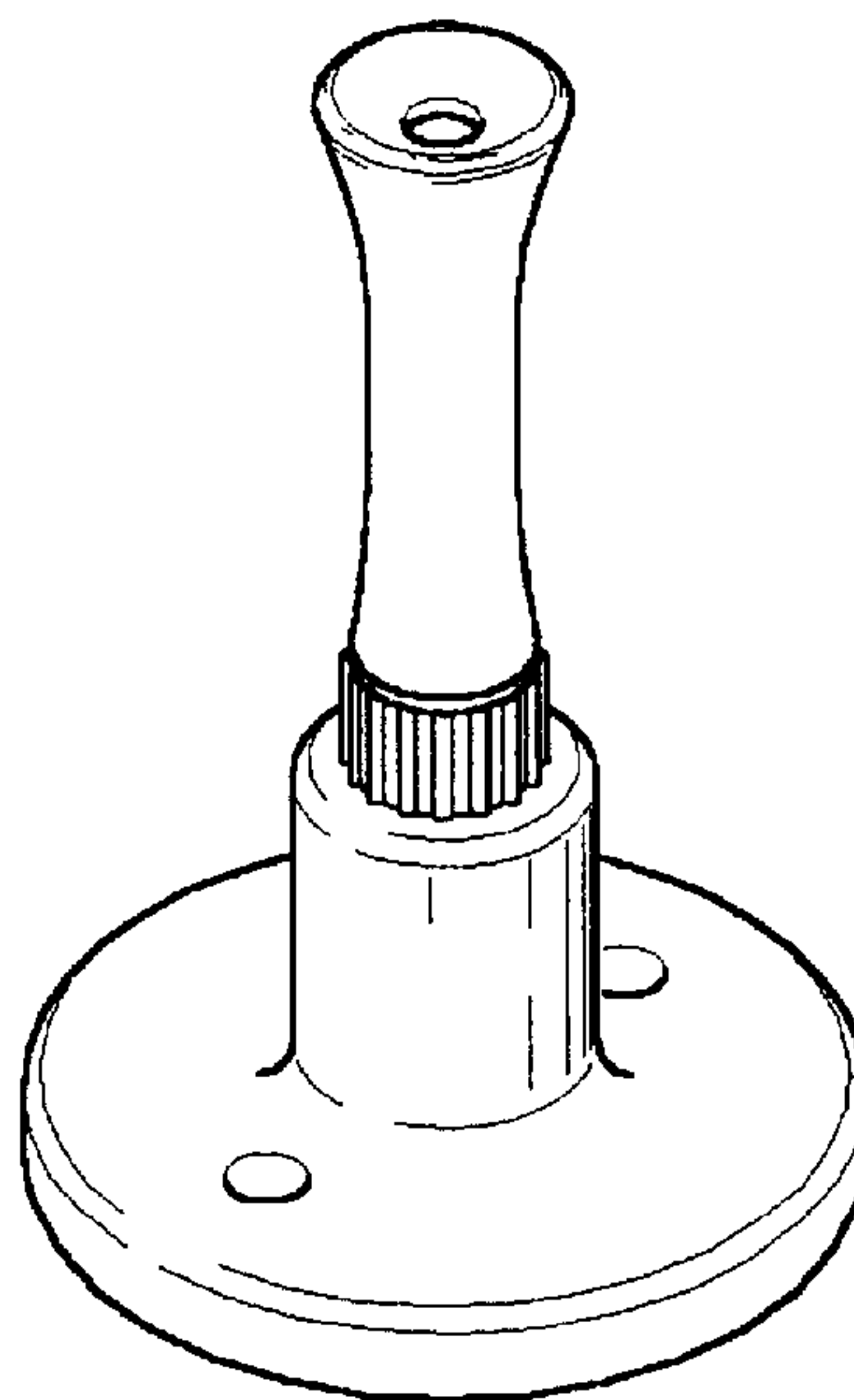
FIG. 4 is a top view thereof;

FIG. 5 is a bottom view thereof; and,

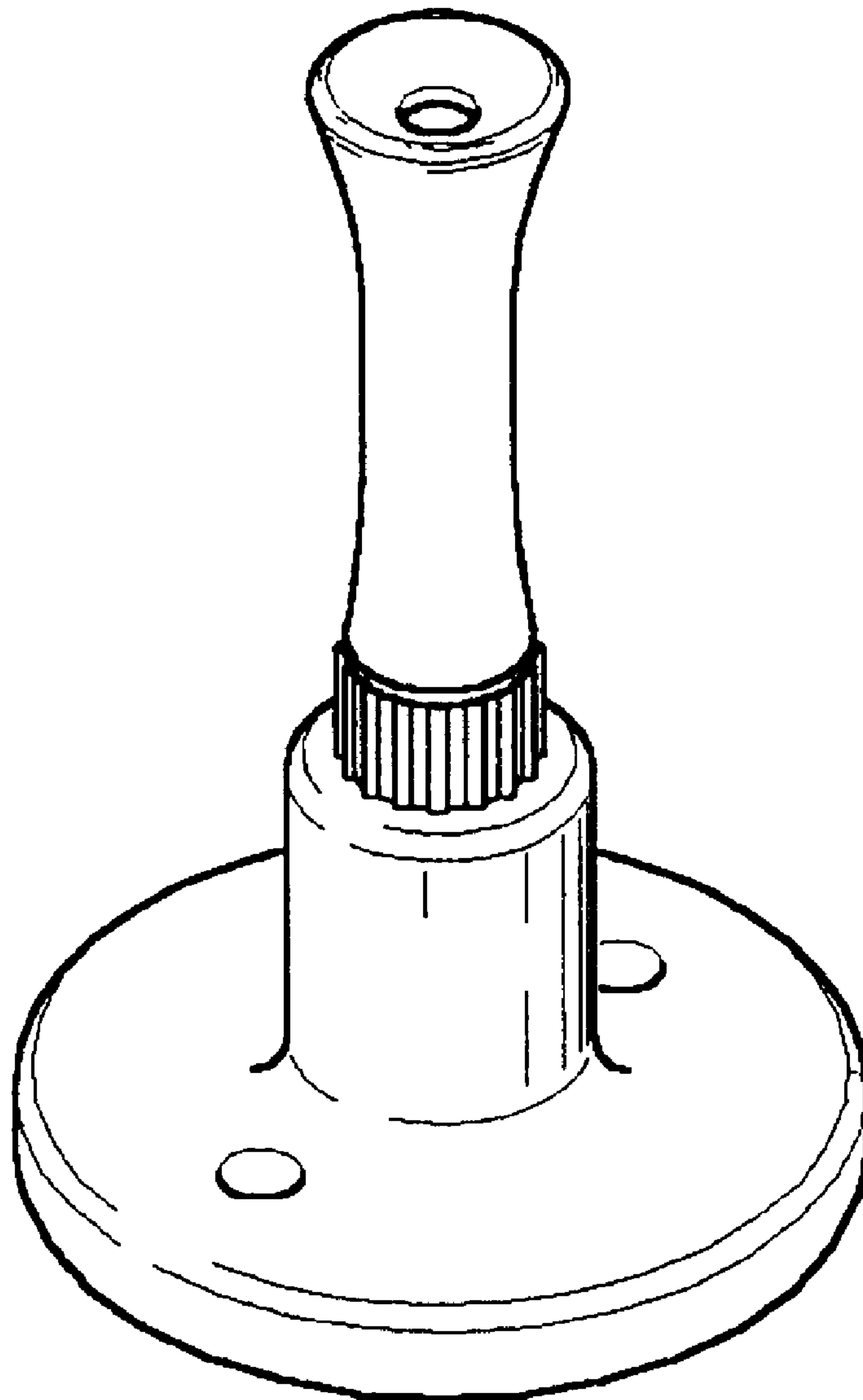
FIG. 6 is a cross sectional view taken along line 6—6 of FIG. 5.

The portions shown in broken lines in FIG. 6 are for illustrative purposes only; and form no part of the claimed design.

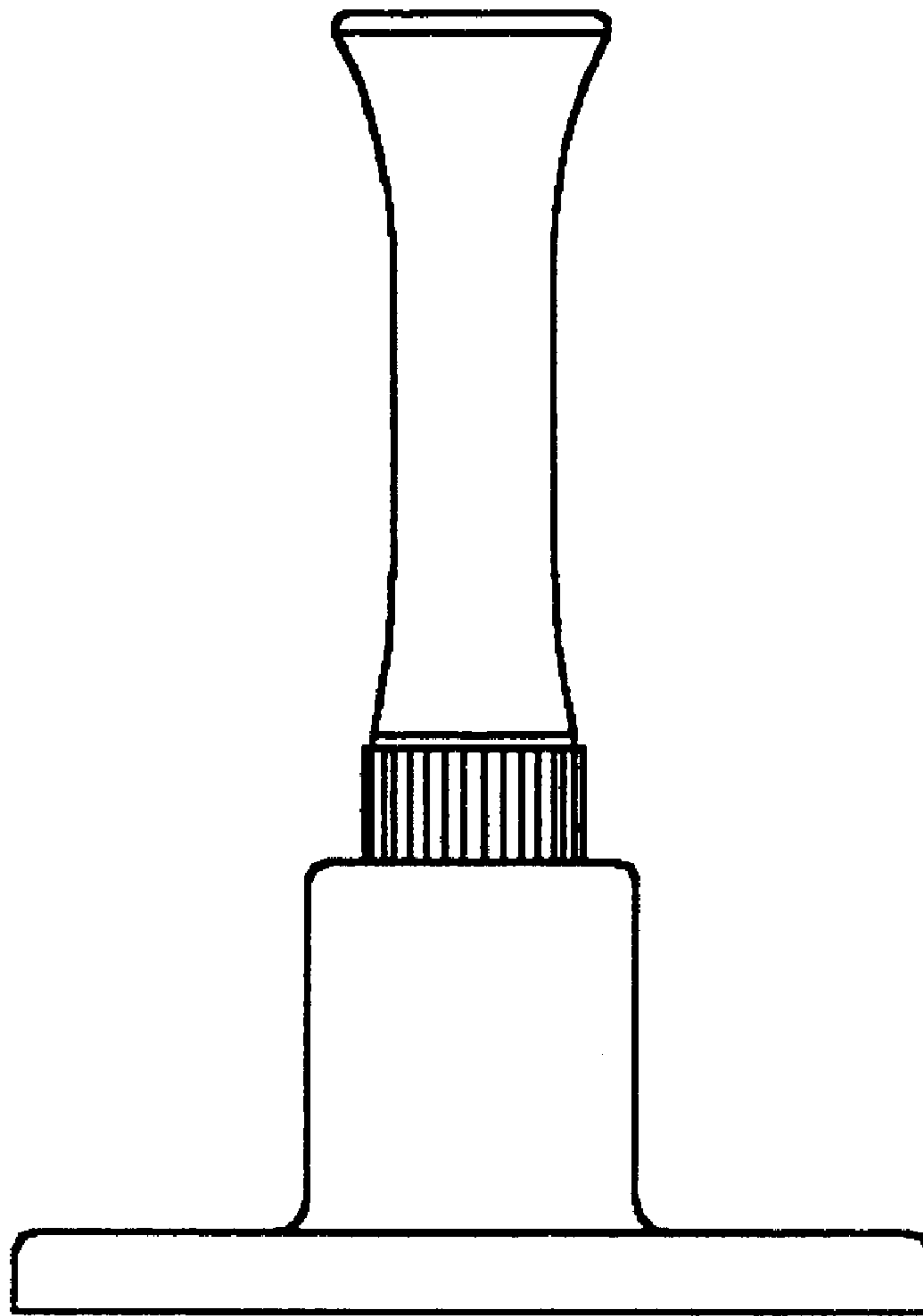
**1 Claim, 6 Drawing Sheets**



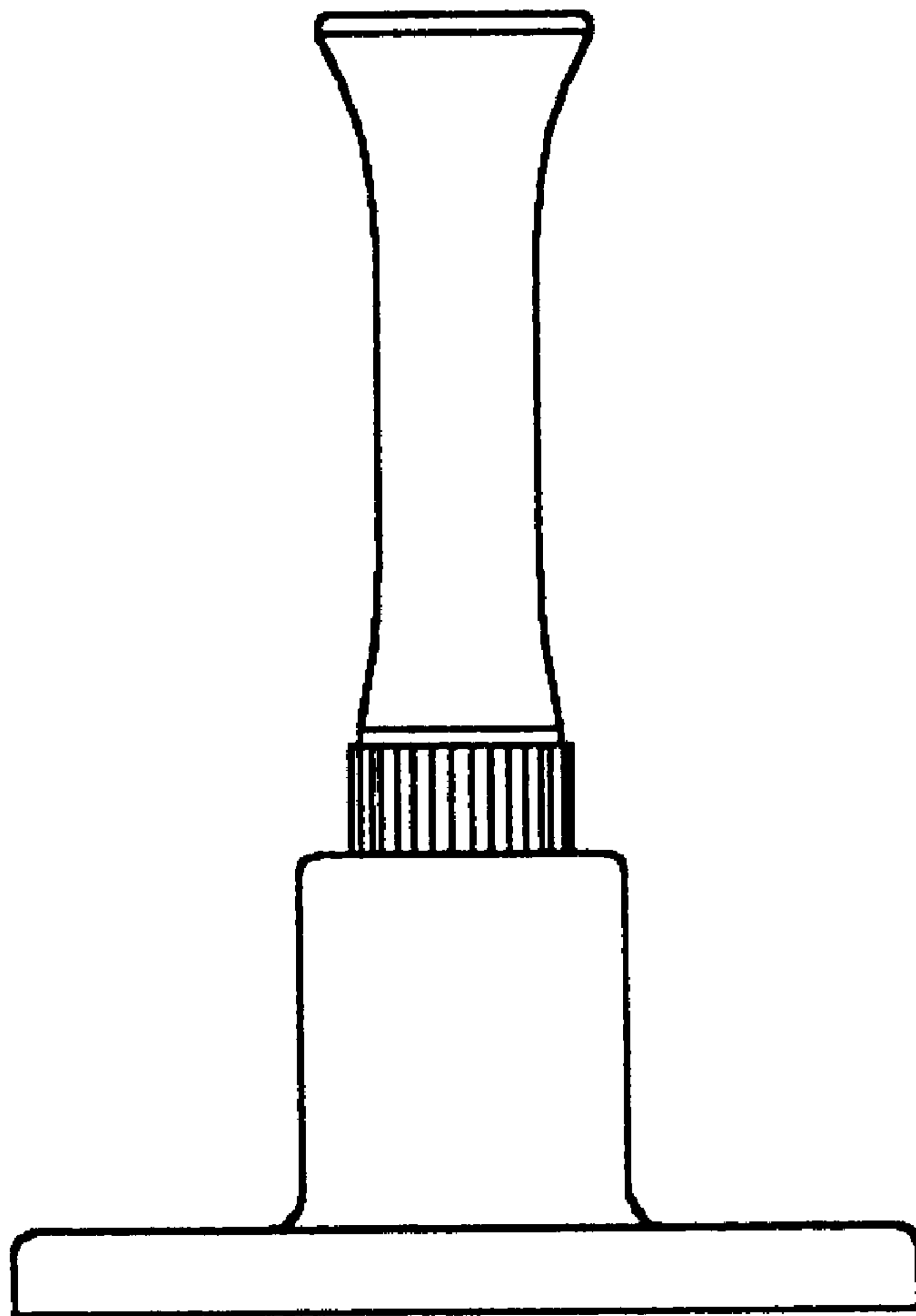
# FIGURE 1



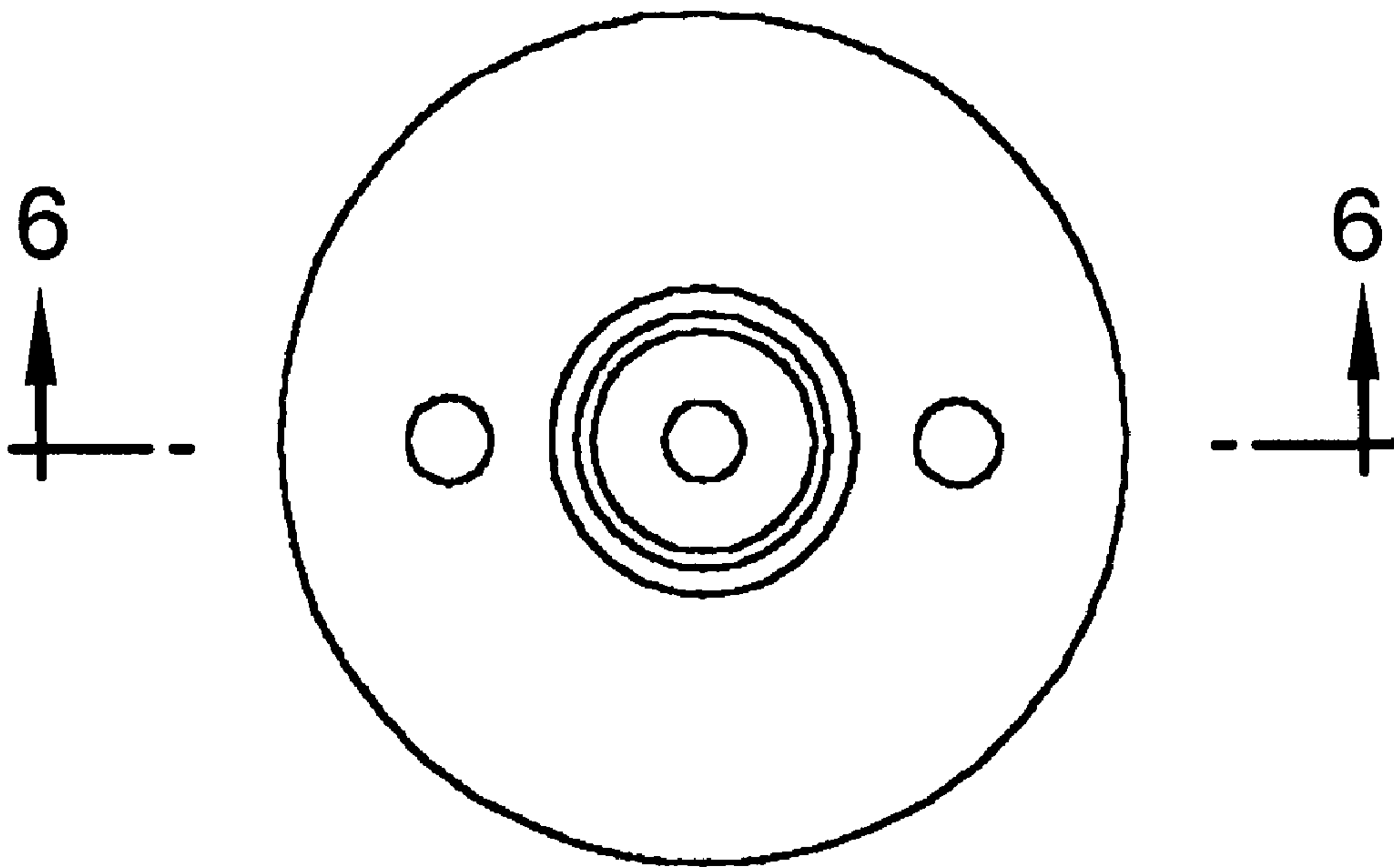
# FIGURE 2



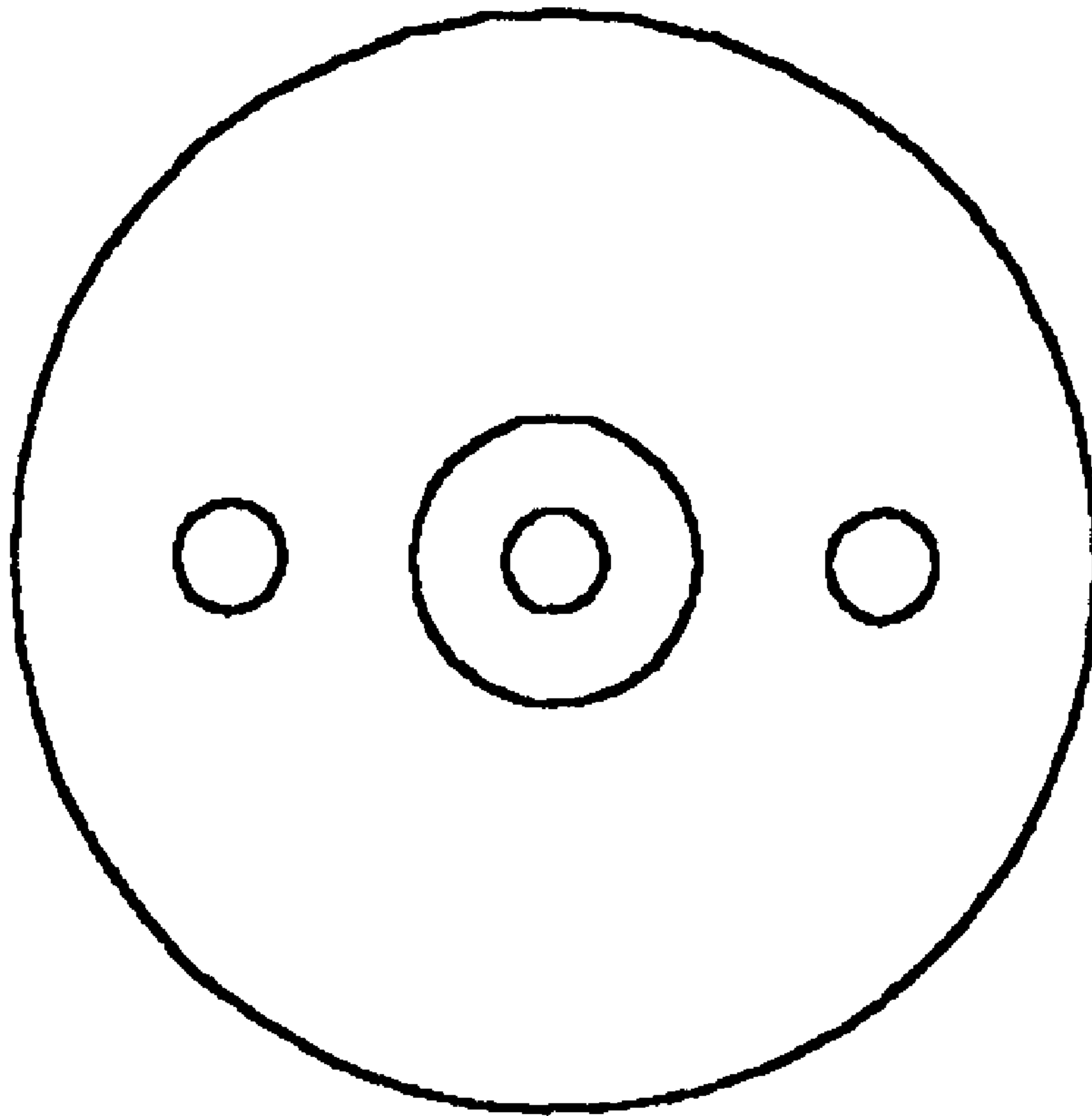
# FIGURE 3



# FIGURE 4



# FIGURE 5



# FIGURE 6

