



US00D518535S

(12) **United States Design Patent**  
**Haskell**

(10) **Patent No.:** **US D518,535 S**

(45) **Date of Patent:** **\*\* Apr. 4, 2006**

(54) **EXERCISE APPARATUS**

(76) **Inventor:** **Nikki Haskell**, 215 E. 68th St., New York, NY (US) 10021

(\*\*) **Term:** **14 Years**

(21) **Appl. No.:** **29/210,083**

(22) **Filed:** **Jul. 28, 2004**

(51) **LOC (8) Cl.** ..... **21-02**

(52) **U.S. Cl.** ..... **D21/662**

(58) **Field of Classification Search** ..... D21/662,  
D21/684, 692; 482/121, 122, 123, 124, 125,  
482/126, 127, 128; D2/627, 628, 629  
See application file for complete search history.

5,752,900 A 5/1998 Holland, Jr.  
5,813,955 A 9/1998 Gutkowski et al.  
D399,272 S \* 10/1998 Zwonitzer ..... D21/683  
5,993,362 A \* 11/1999 Ghobadi ..... 482/124  
D455,185 S \* 4/2002 Karadimas ..... D21/692  
6,629,912 B1 10/2003 Downs  
6,659,921 B1 12/2003 Vernon  
6,672,997 B1 1/2004 Winkler

\* cited by examiner

*Primary Examiner*—Philip S. Hyder

(74) *Attorney, Agent, or Firm*—Seth Natter; Natter & Natter

(57) **CLAIM**

The ornamental design for an exercise apparatus, as shown and described.

(56) **References Cited**

**U.S. PATENT DOCUMENTS**

3,999,752 A 12/1976 Kupperman et al.  
4,685,671 A \* 8/1987 Hagerman et al. .... 482/124  
4,955,608 A 9/1990 Dougherty et al.  
5,062,642 A 11/1991 Berry et al.  
5,141,223 A 8/1992 Block  
5,186,701 A 2/1993 Wilkinson  
5,203,754 A 4/1993 Maclean  
5,263,916 A 11/1993 Bobich  
5,306,222 A 4/1994 Wilkinson  
D350,795 S \* 9/1994 Barbour ..... D21/692  
5,362,295 A 11/1994 Nurge  
5,372,565 A 12/1994 Burdenko  
5,433,688 A 7/1995 Davies  
5,518,480 A 5/1996 Frappier  
D378,305 S \* 3/1997 Tolleson ..... D2/624  
5,647,827 A 7/1997 Gutkowski et al.  
5,667,466 A 9/1997 Riley, Jr.  
5,690,595 A 11/1997 Quinones  
D390,896 S \* 2/1998 Stalnaker ..... D21/662

**DESCRIPTION**

FIG. 1 is a front elevational view of an exercise apparatus showing my new design;  
FIG. 2 is a view depicting the typical orientation of ornamental components during usage;  
FIG. 3 is a perspective view thereof;  
FIG. 4 is an auxiliary plan view taken along the line 4—4 of FIG. 1; and,  
FIG. 5 is an auxiliary plan view taken along the line 5—5 of FIG. 1.  
The rear is plain and ornamental. The elastic cords, the clips, the buckle and the outline of a person shown in dashed lines do not form part of the claimed design.  
The bottom views are identical to the top views illustrated in FIG. 4 and FIG. 5. The plan view of the ankle cuff is the same as the plan view of the wrist cuff shown in FIG. 5, except being proportionately longer.

**1 Claim, 3 Drawing Sheets**

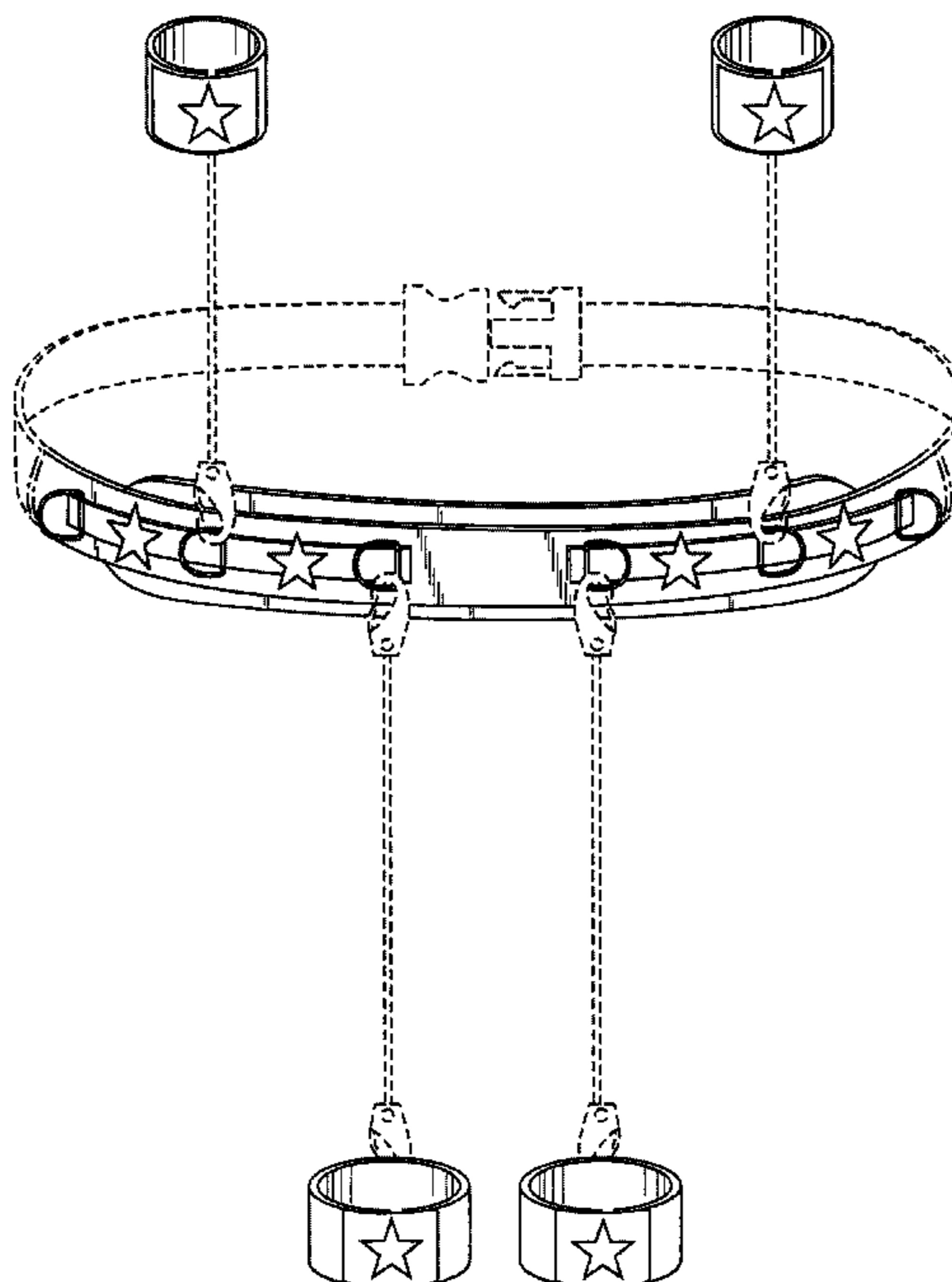
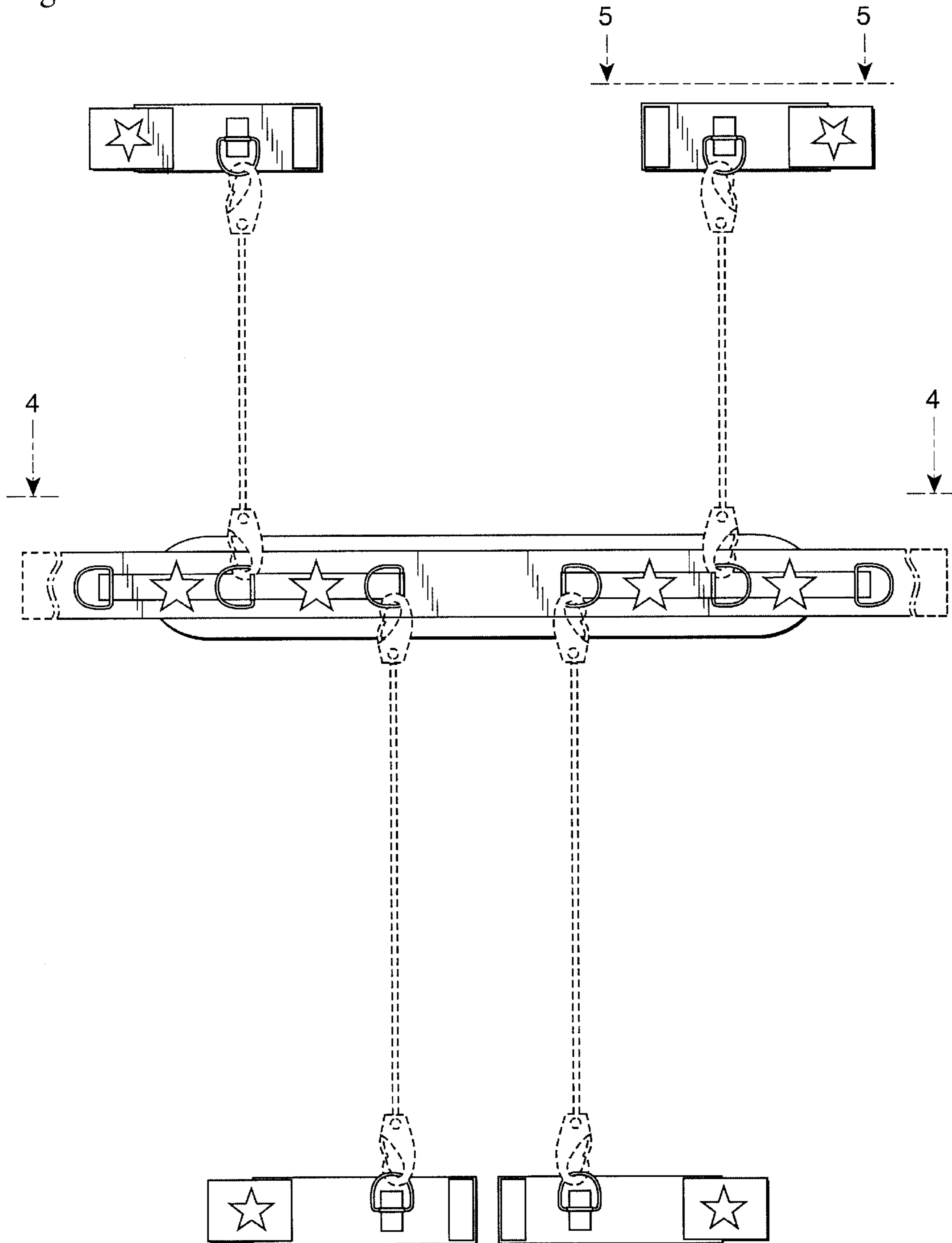


Fig. 1



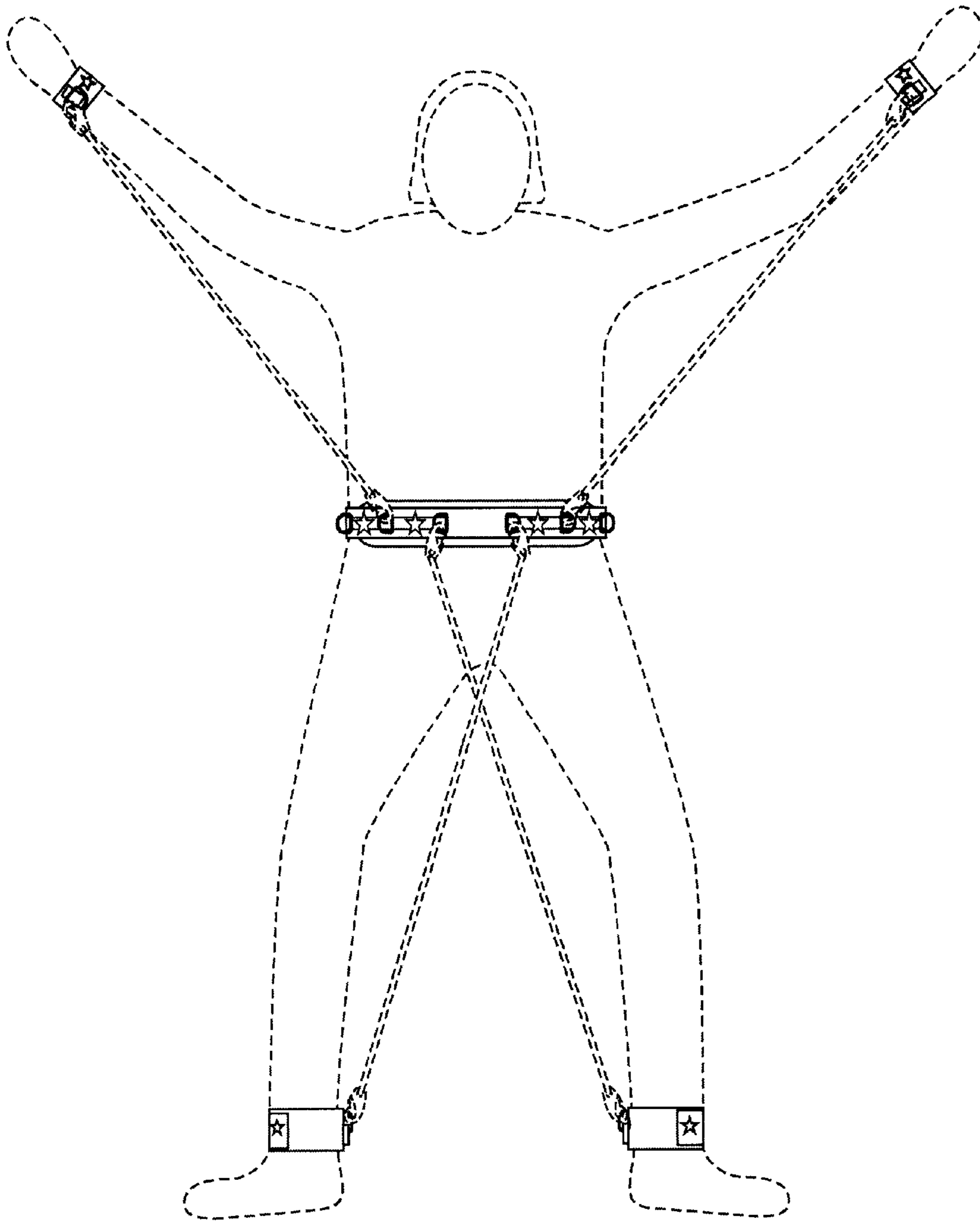


Fig. 2

Fig. 3

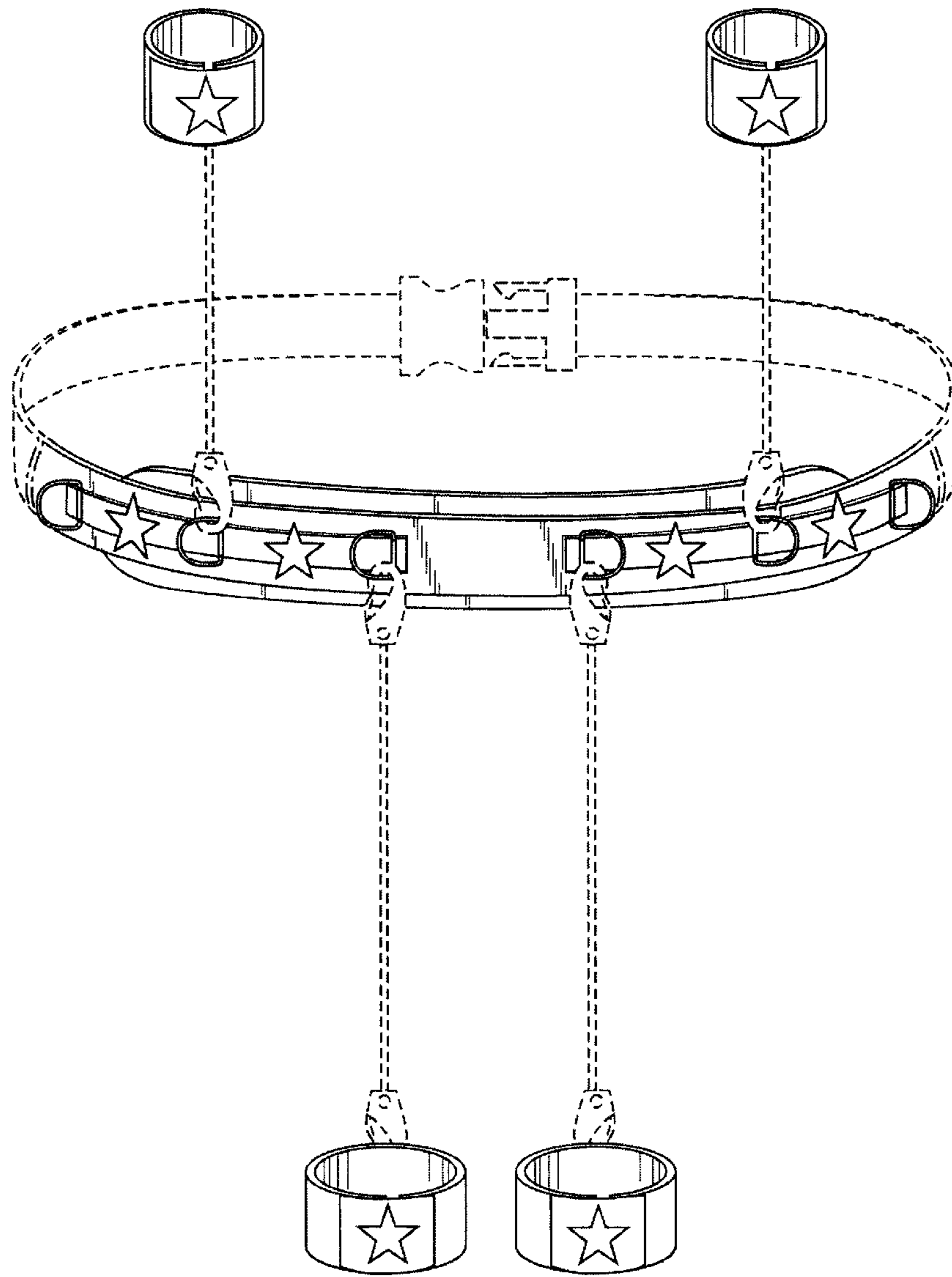


Fig. 4

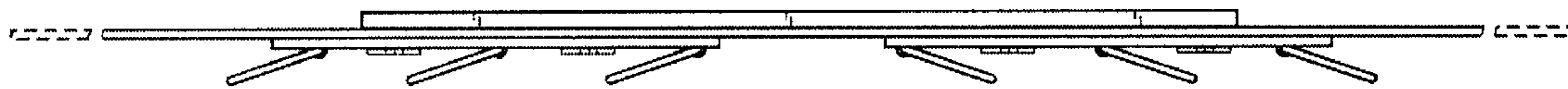


Fig. 5

