



US00D518534S

(12) **United States Design Patent**
Giordano

(10) **Patent No.:** **US D518,534 S**

(45) **Date of Patent:** **** Apr. 4, 2006**

(54) **PULL-UP EXERCISE BAR**

(76) **Inventor:** **Nicholas Giordano**, 520 Edgar Rd.,
Elizabeth, NJ (US) 07202

(**) **Term:** **14 Years**

(21) **Appl. No.:** **29/204,962**

(22) **Filed:** **May 7, 2004**

(51) **LOC (8) Cl.** **21-02**

(52) **U.S. Cl.** **D21/662**

(58) **Field of Classification Search** D21/662,
D21/684, 686, 691; 482/39, 40, 41, 42, 96,
482/139; 294/118, 164

See application file for complete search history.

(56) **References Cited**

U.S. PATENT DOCUMENTS

3,716,232	A	2/1973	Johnson et al.	
4,610,448	A	9/1986	Hill	
4,768,778	A	9/1988	Thomas, Jr.	
4,844,448	A	* 7/1989	Niznik	482/40
5,358,463	A	10/1994	Fuentes	

5,417,628	A	*	5/1995	Vanderbleek	482/40
5,752,903	A		5/1998	Chang	
5,776,033	A		7/1998	Brown	
6,179,748	B1	*	1/2001	Barr	482/40
6,286,881	B1	*	9/2001	Yakushinji	294/110.1
6,331,025	B1	*	12/2001	Douglas	294/110.1
6,508,743	B1	*	1/2003	Fortin	482/41

* cited by examiner

Primary Examiner—Philip S. Hyder

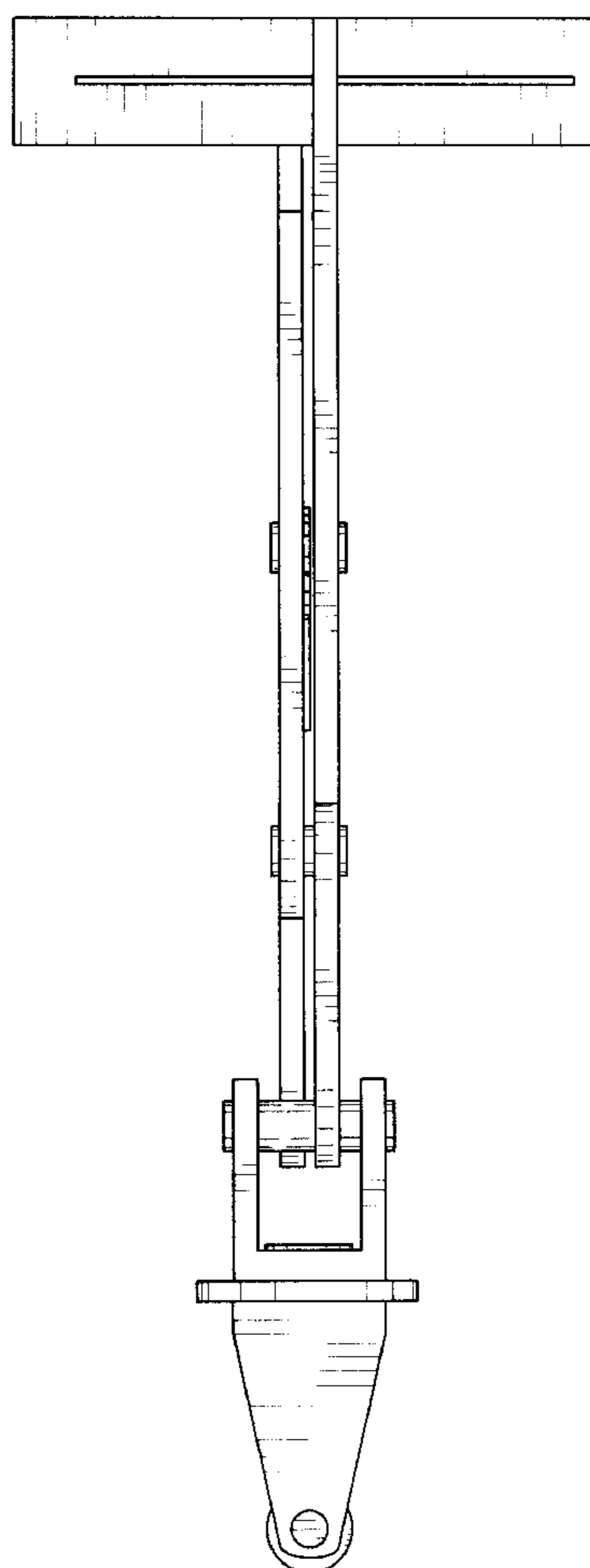
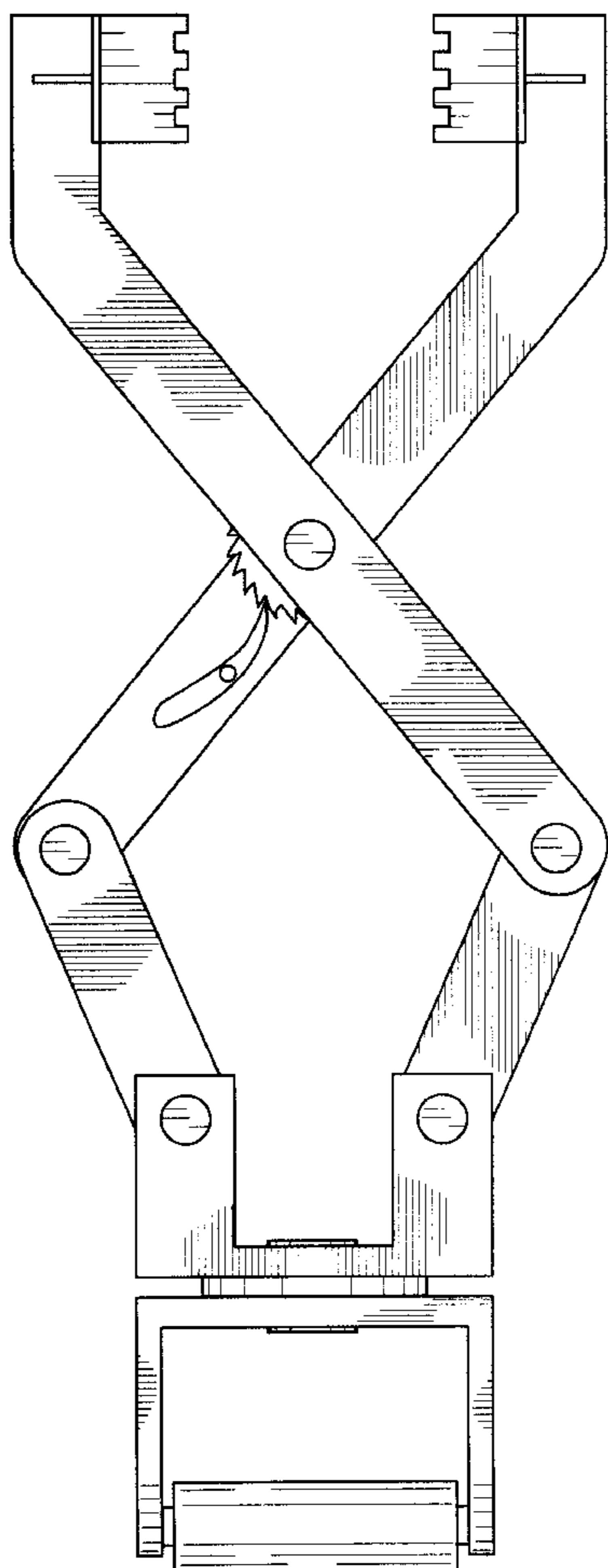
(57) **CLAIM**

The ornamental design for a pull-up exercise bar, as shown and described.

DESCRIPTION

FIG. 1 is front elevational view of a pull-up exercise bar showing my new design;
FIG. 2 is a rear elevational view thereof;
FIG. 3 is a top plan view thereof;
FIG. 4 is a bottom plan view thereof;
FIG. 5 is a left side elevational view thereof; and,
FIG. 6 is a right side elevational view thereof.

1 Claim, 4 Drawing Sheets



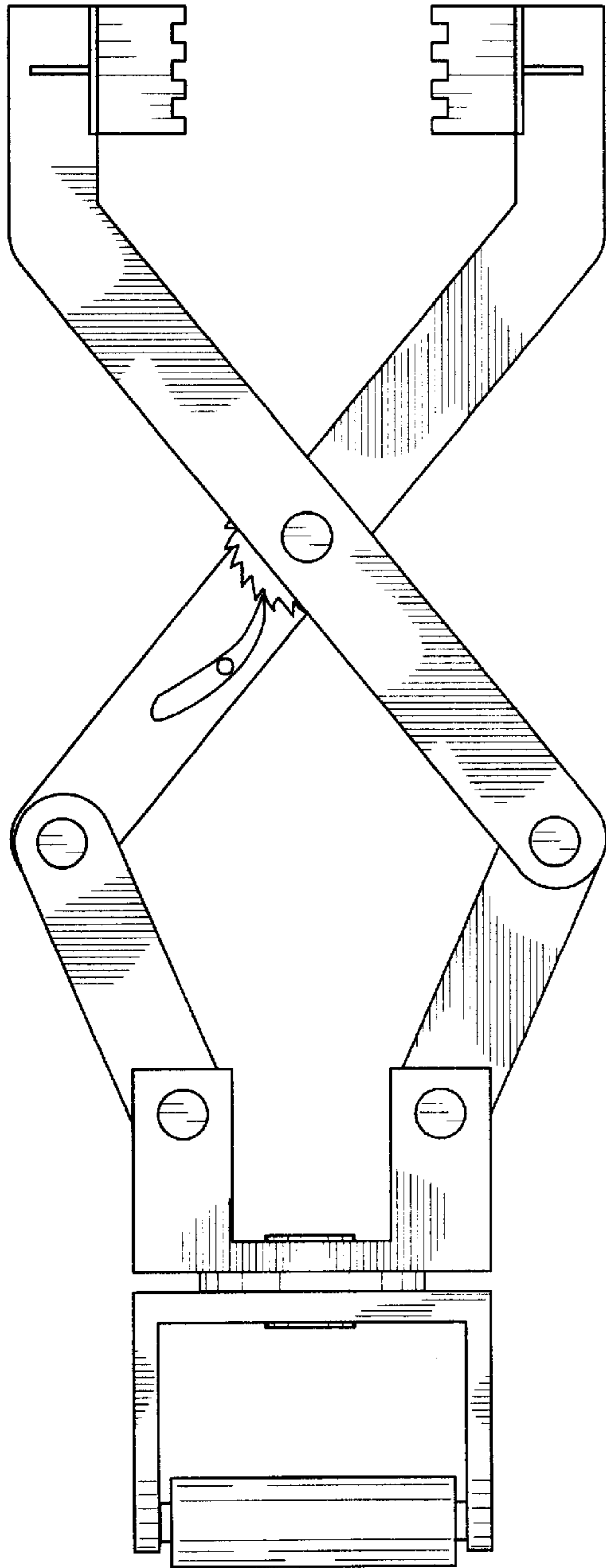


FIG. 1

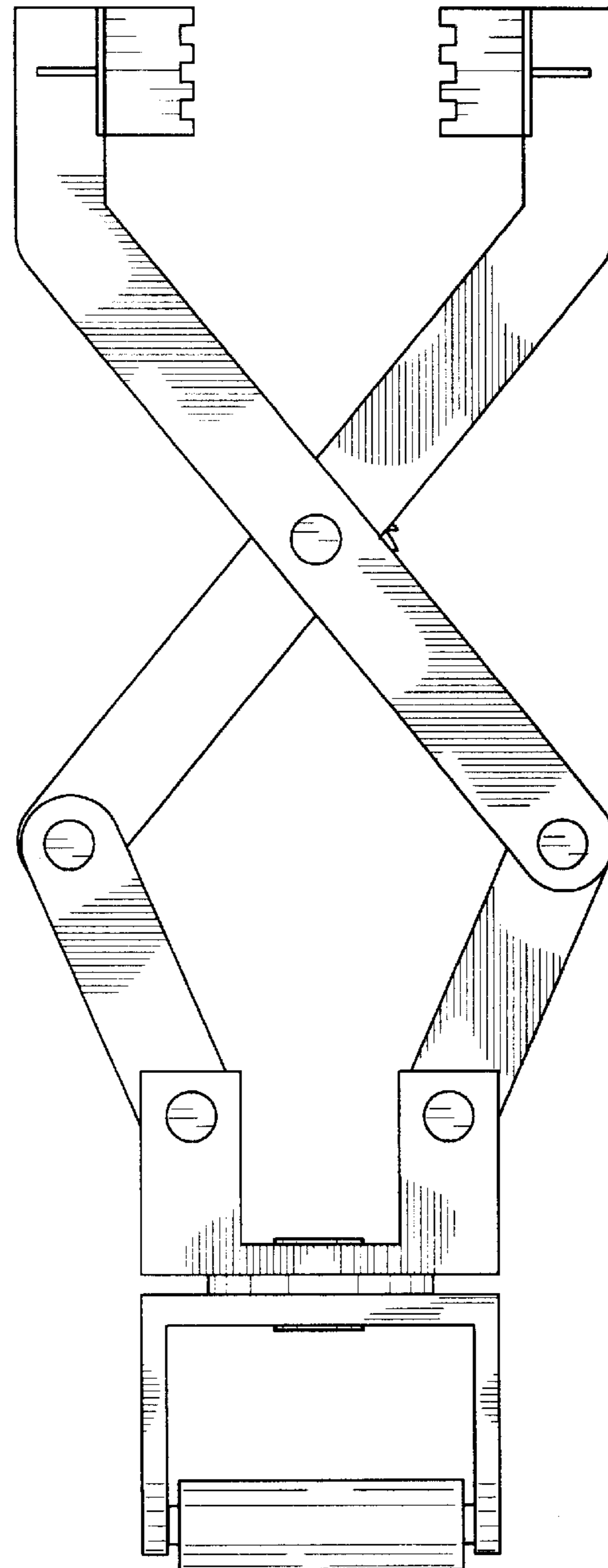


FIG. 2

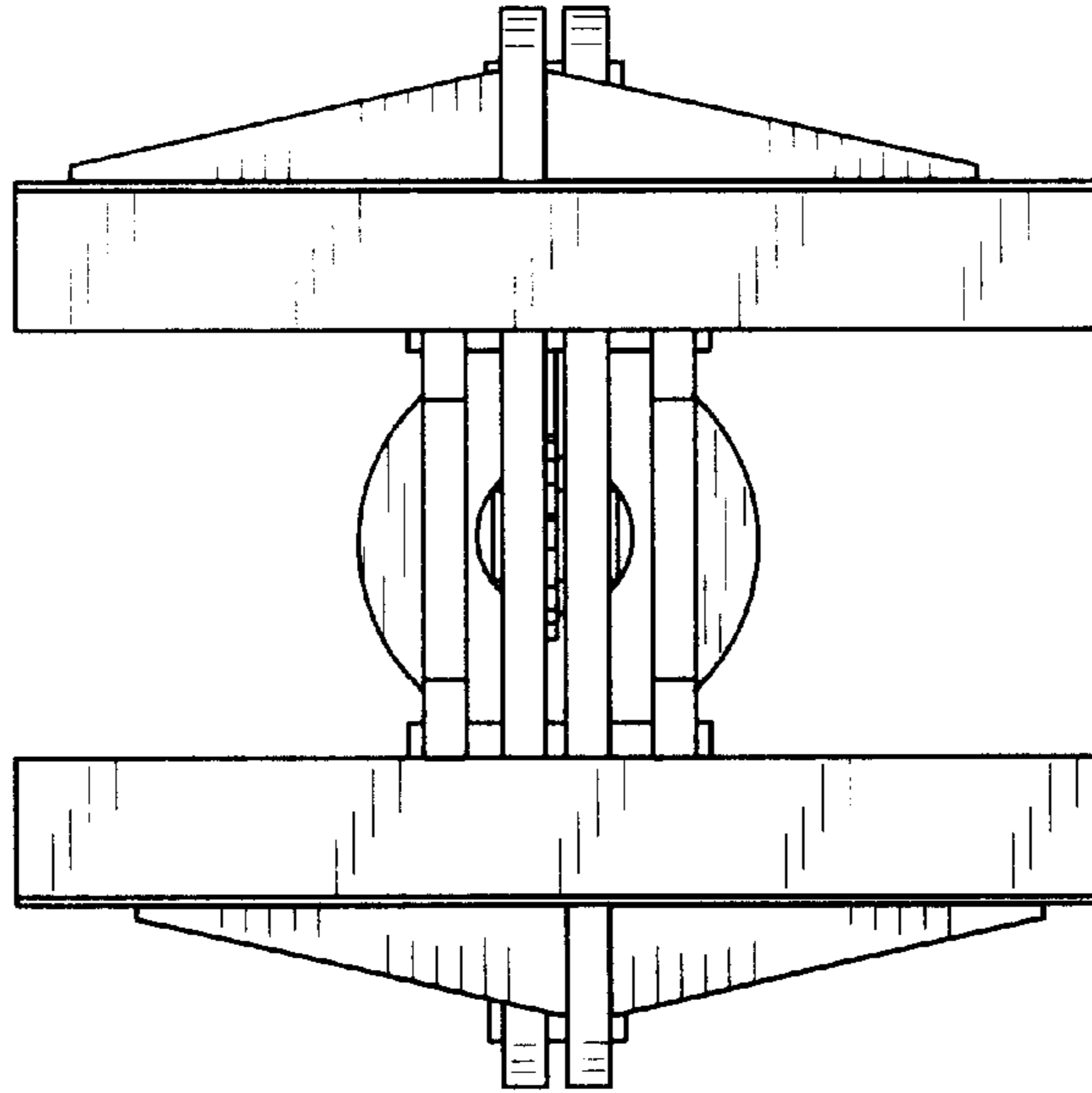


FIG. 4

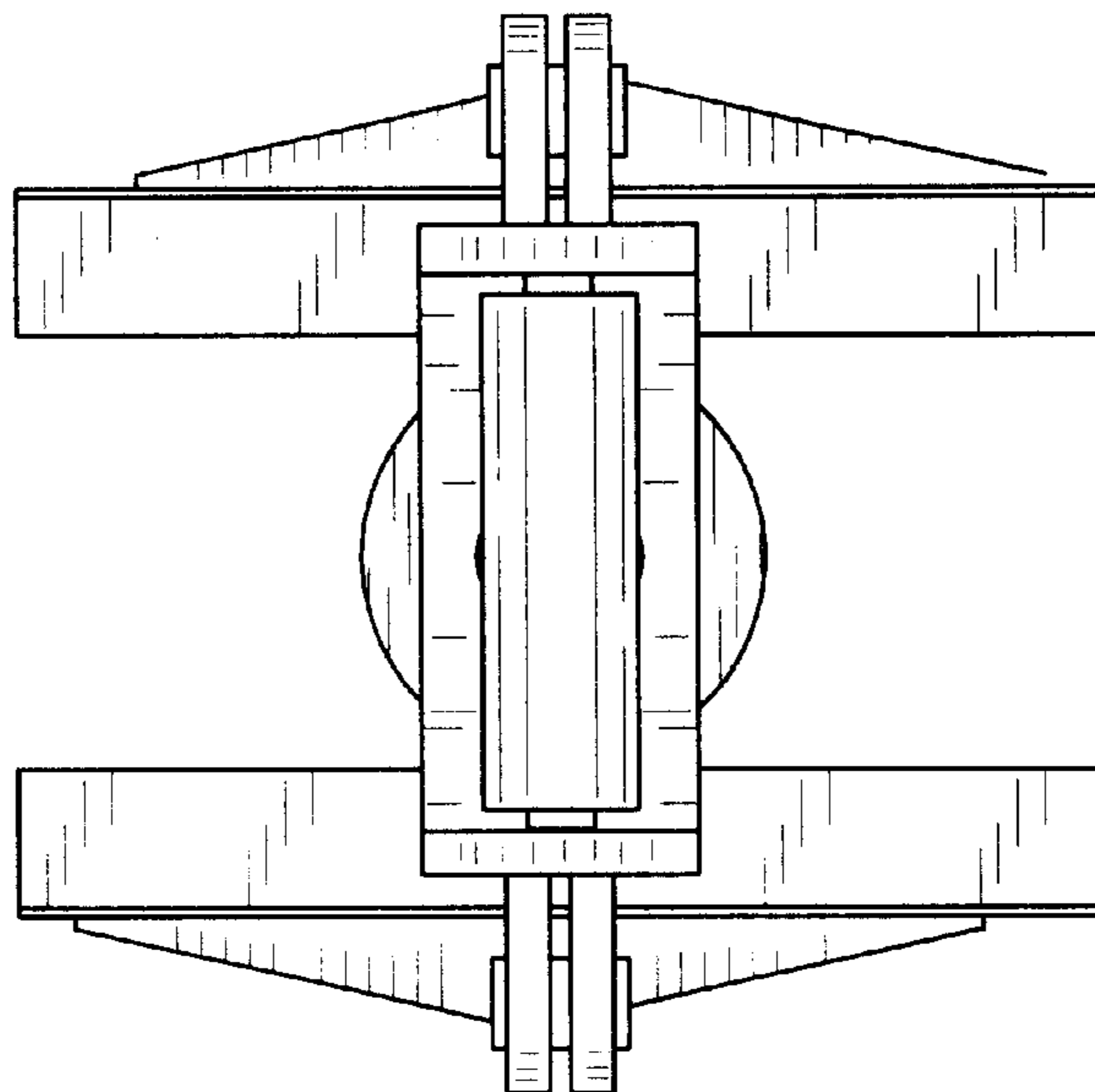


FIG. 3

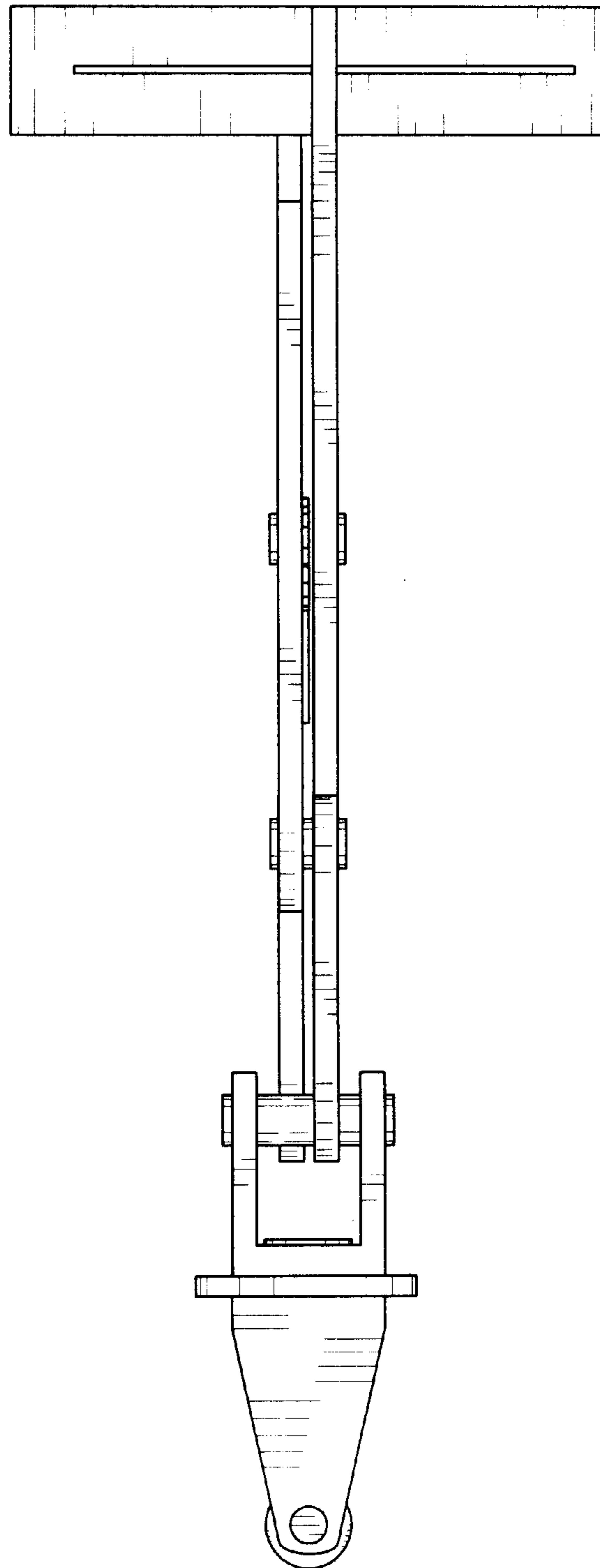


FIG. 5

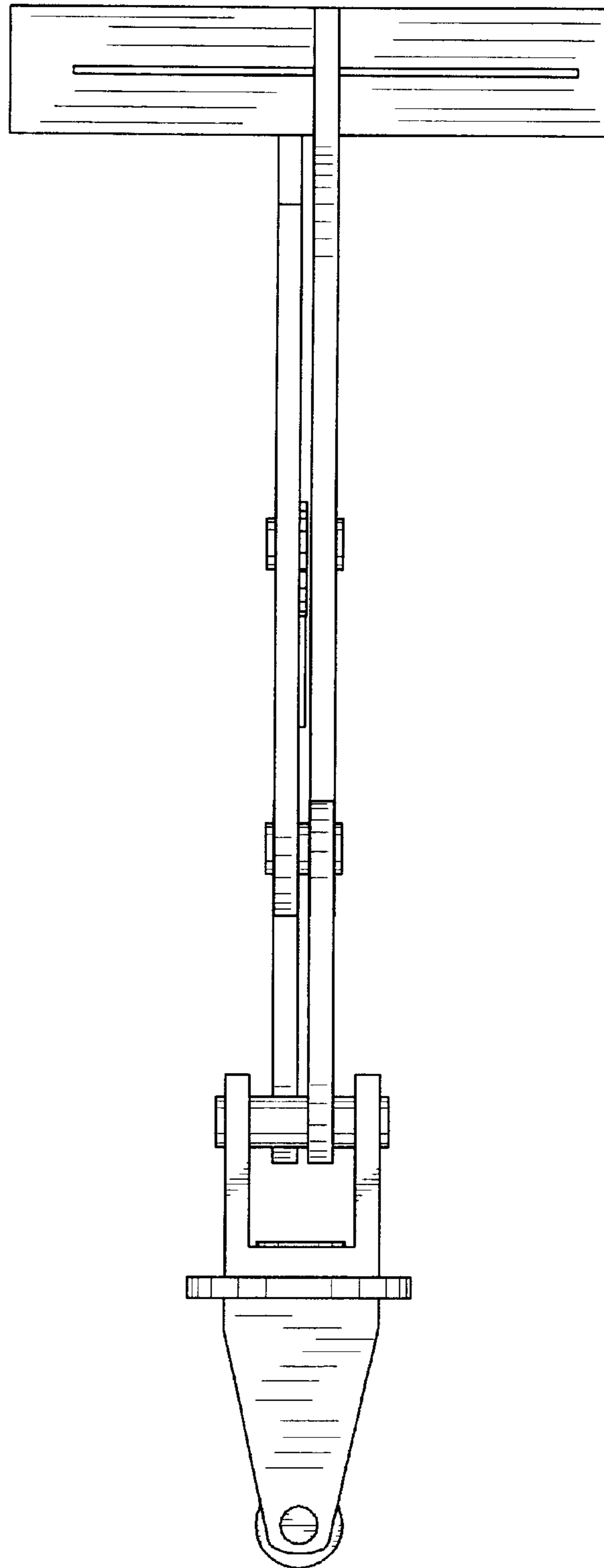


FIG. 6