



US00D518528S

(12) **United States Design Patent**
Su et al.

(10) **Patent No.:** **US D518,528 S**
(45) **Date of Patent:** **** Apr. 4, 2006**

(54) **POKER CHIP WITH RECESSED DIAMOND PATTERNS**

6,296,190 B1 * 10/2001 Rendleman 463/25
6,659,875 B1 * 12/2003 Purton 463/47

(76) Inventors: **Chan Wah Su**, 215 Alice St., Arcadia, CA (US) 91006; **Randy Cheng**, 6169 N. Reno Ave., Temple City, CA (US) 91780

(**) Term: **14 Years**

(21) Appl. No.: **29/200,511**

(22) Filed: **Feb. 27, 2004**

(51) **LOC (8) Cl.** **21-01**

(52) **U.S. Cl.** **D21/390**

(58) **Field of Classification Search** D11/95;
D21/385-386, 390, 396; 40/27.5; 273/274,
273/288; 463/25, 47

See application file for complete search history.

(56) **References Cited**

U.S. PATENT DOCUMENTS

D150,099 S * 6/1948 Taylor et al. D21/390
D237,724 S * 11/1975 Garaventa D21/390
3,968,582 A * 7/1976 Jones 40/27.5
D319,414 S * 8/1991 Moore D21/390
5,406,264 A * 4/1995 Plonsky et al. 40/27.5

OTHER PUBLICATIONS

www.oldvegaschips.com. Old and obsolete casino chips, Vintage Las Vegas Hacienda Poker Chip, undated.*

* cited by examiner

Primary Examiner—Sandra L. Morris

(74) *Attorney, Agent, or Firm*—Donald W. Meeker

(57) **CLAIM**

The ornamental design for a poker chip with recessed diamond patterns, as shown.

DESCRIPTION

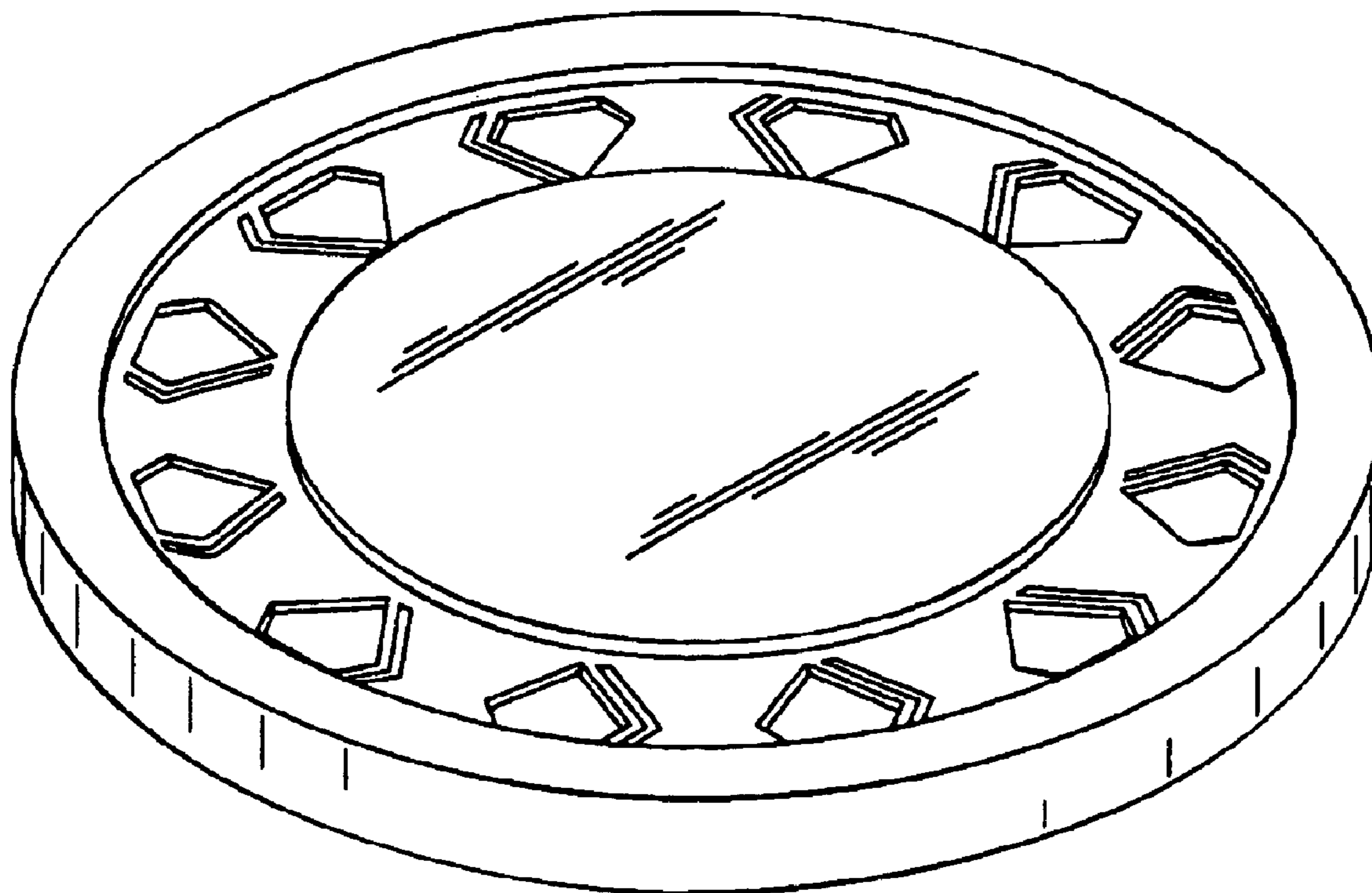
FIG. 1 is a top plan view of the poker chip with recessed diamond patterns;

FIG. 2 is a side elevational view of the poker chip with recessed diamond patterns;

FIG. 3 is a front elevational view of the poker chip with recessed diamond patterns; and,

FIG. 4 is a perspective view of the poker chip with recessed diamond patterns.

1 Claim, 1 Drawing Sheet



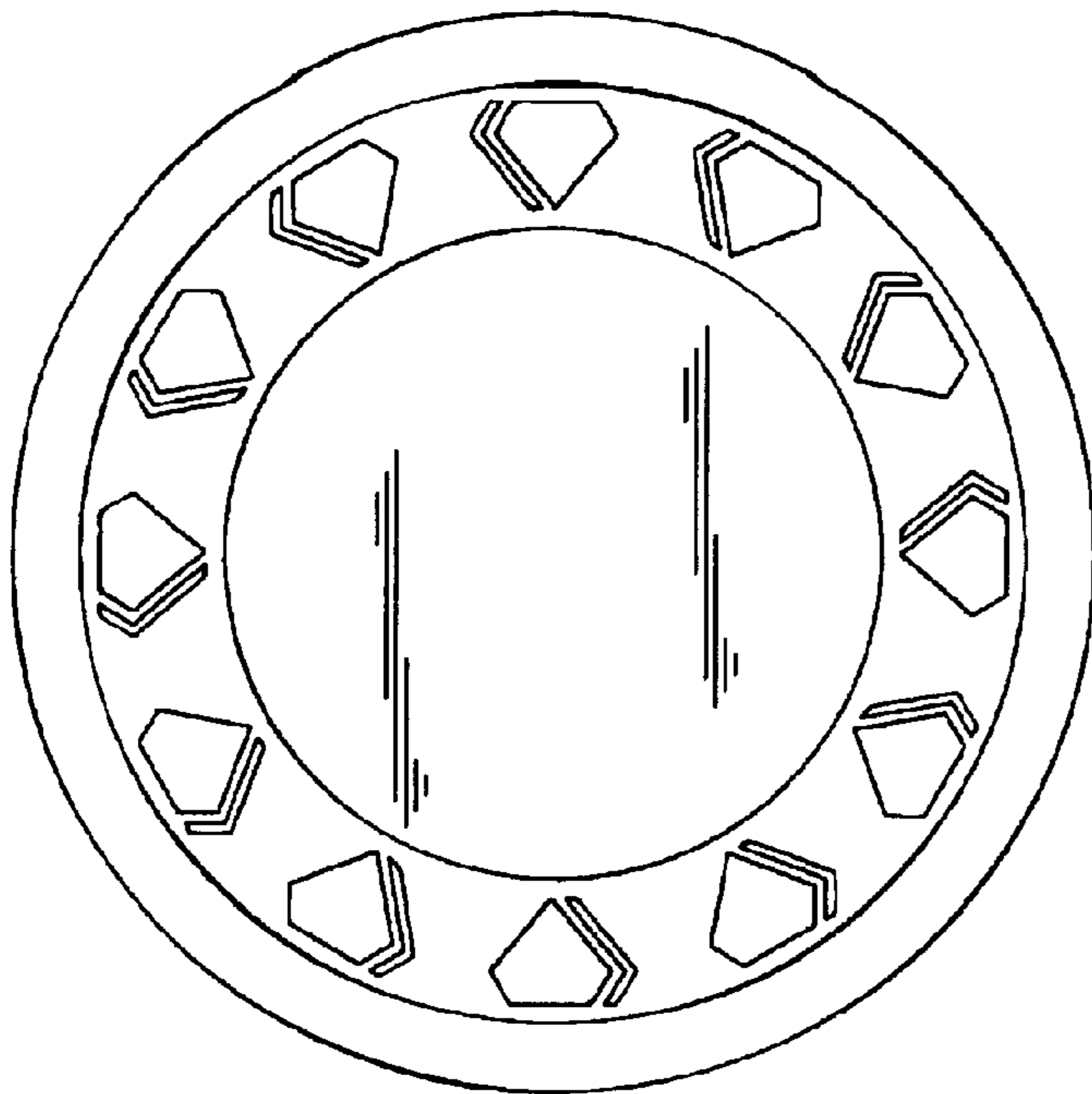


FIG. 1

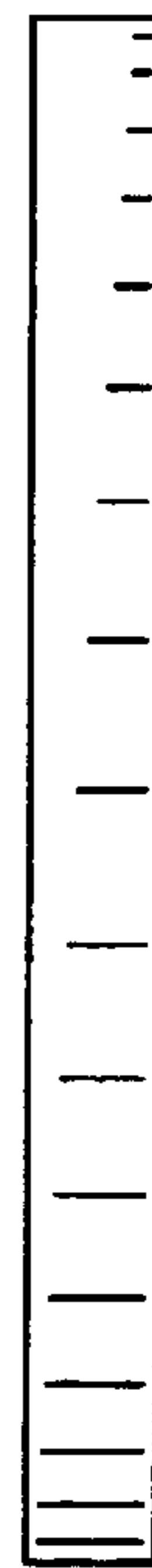


FIG. 2



FIG. 3

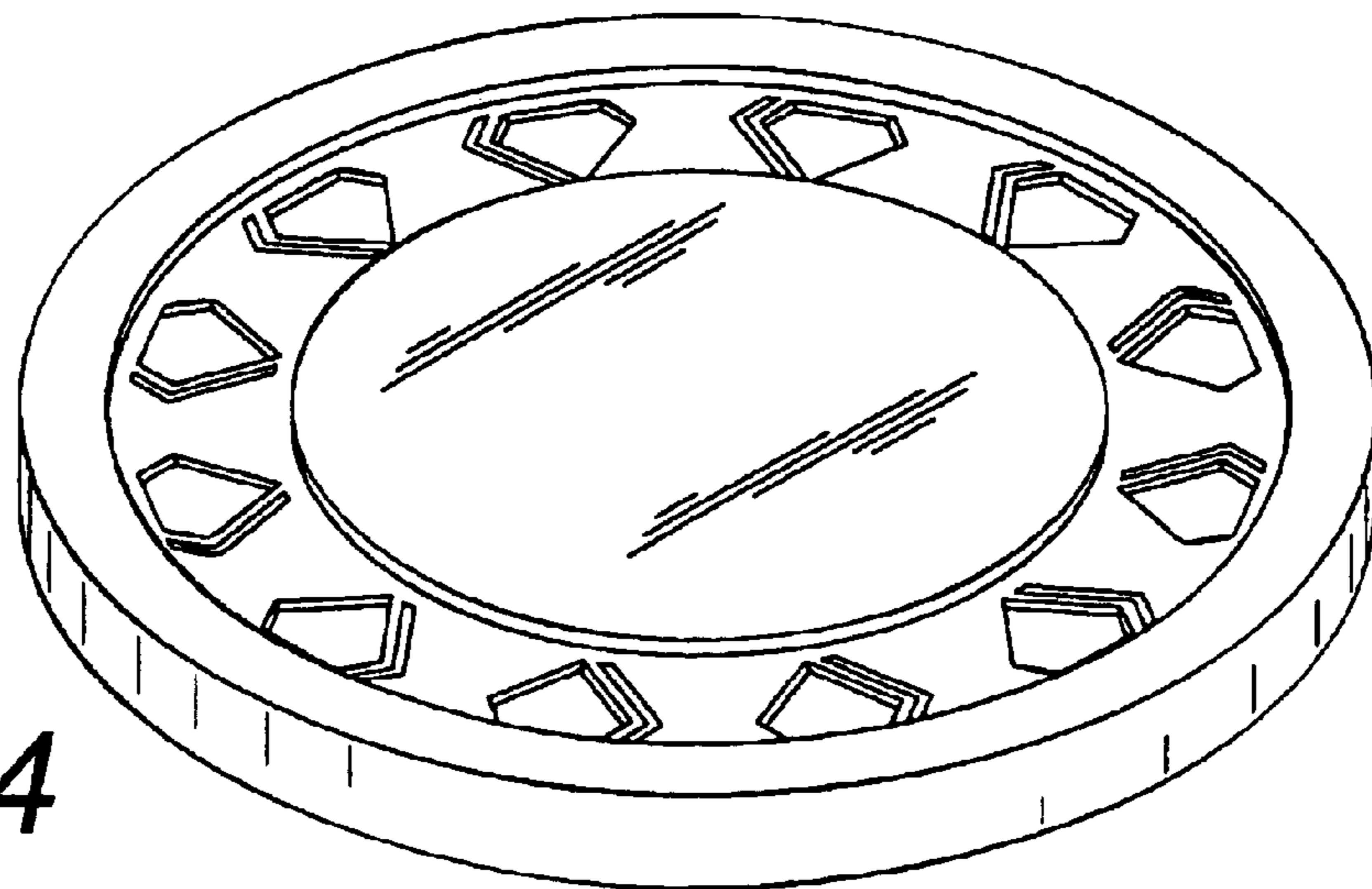


FIG. 4