

US00D518524S

(12) **United States Design Patent**
Chue

(10) **Patent No.:** **US D518,524 S**

(45) **Date of Patent:** **** Apr. 4, 2006**

(54) **DOUBLE CAPSULE POP-UP MEMO DISPENSER**

D406,167 S * 2/1999 Wolff D19/65
D452,275 S * 12/2001 Najmi D19/78
6,367,799 B1 * 4/2002 Sippel 273/294

(75) Inventor: **Lap Fu Chue**, Tai Po (HK)

* cited by examiner

(73) Assignee: **Kenki (H.K.) Ltd.**, Kowloon (HK)

Primary Examiner—Jeffrey Asch
Assistant Examiner—Elizabeth Albert

(**) Term: **14 Years**

(74) *Attorney, Agent, or Firm*—Rabin & Berdo, P.C.

(21) Appl. No.: **29/234,842**

(57) **CLAIM**

(22) Filed: **Jul. 25, 2005**

The ornamental design for a double capsule pop-up memo dispenser, as shown and described.

(51) **LOC (8) Cl.** **19-02**

(52) **U.S. Cl.** **D19/86**

(58) **Field of Classification Search** D19/32,
D19/78, 86, 87, 88, 90, 91, 92, 95; D6/475,
D6/515, 518; 206/39.5, 215, 425; 283/117;
211/50; 221/33, 34, 35, 37, 45, 46, 48, 52,
221/56, 59, 61

See application file for complete search history.

DESCRIPTION

FIG. 1 is a front view of double capsule pop-up memo dispenser showing my new design; FIG. 2 is a rear view thereof; FIG. 3 is a left side view thereof; FIG. 4 is a right side view thereof; FIG. 5 is a top view thereof; FIG. 6 is a bottom view thereof; and, FIG. 7 is a perspective view thereof.

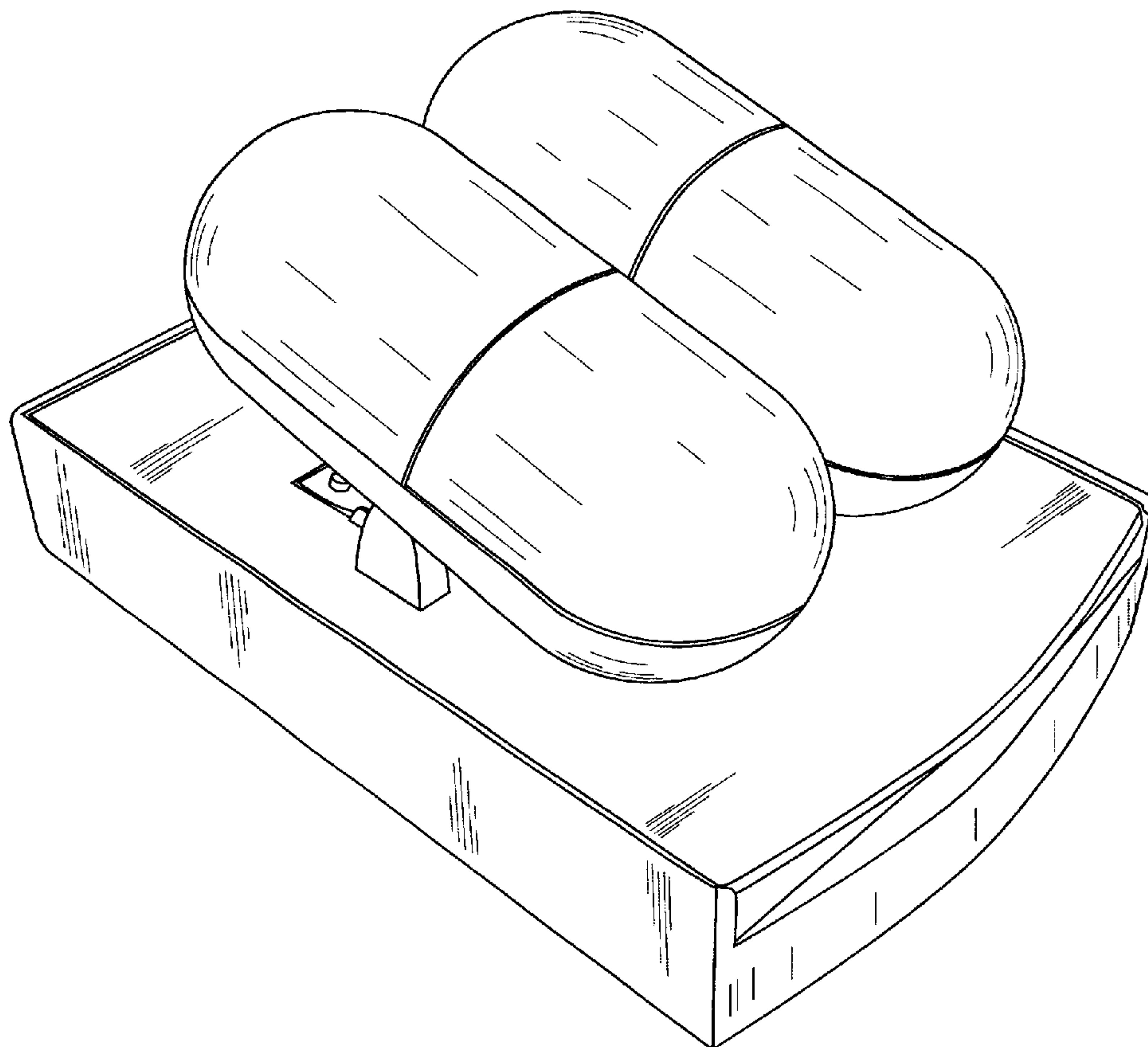
The broken lines showing environment in FIGS. 1 and 7 are for information purposes only and form no part of the claimed design.

(56) **References Cited**

U.S. PATENT DOCUMENTS

D306,876 S * 3/1990 Greenhut et al. D19/65
D358,425 S * 5/1995 Kirchhoff et al. D19/86
D361,789 S * 8/1995 Hewitt et al. D19/86
D393,878 S * 4/1998 Suzuki D19/65

1 Claim, 7 Drawing Sheets



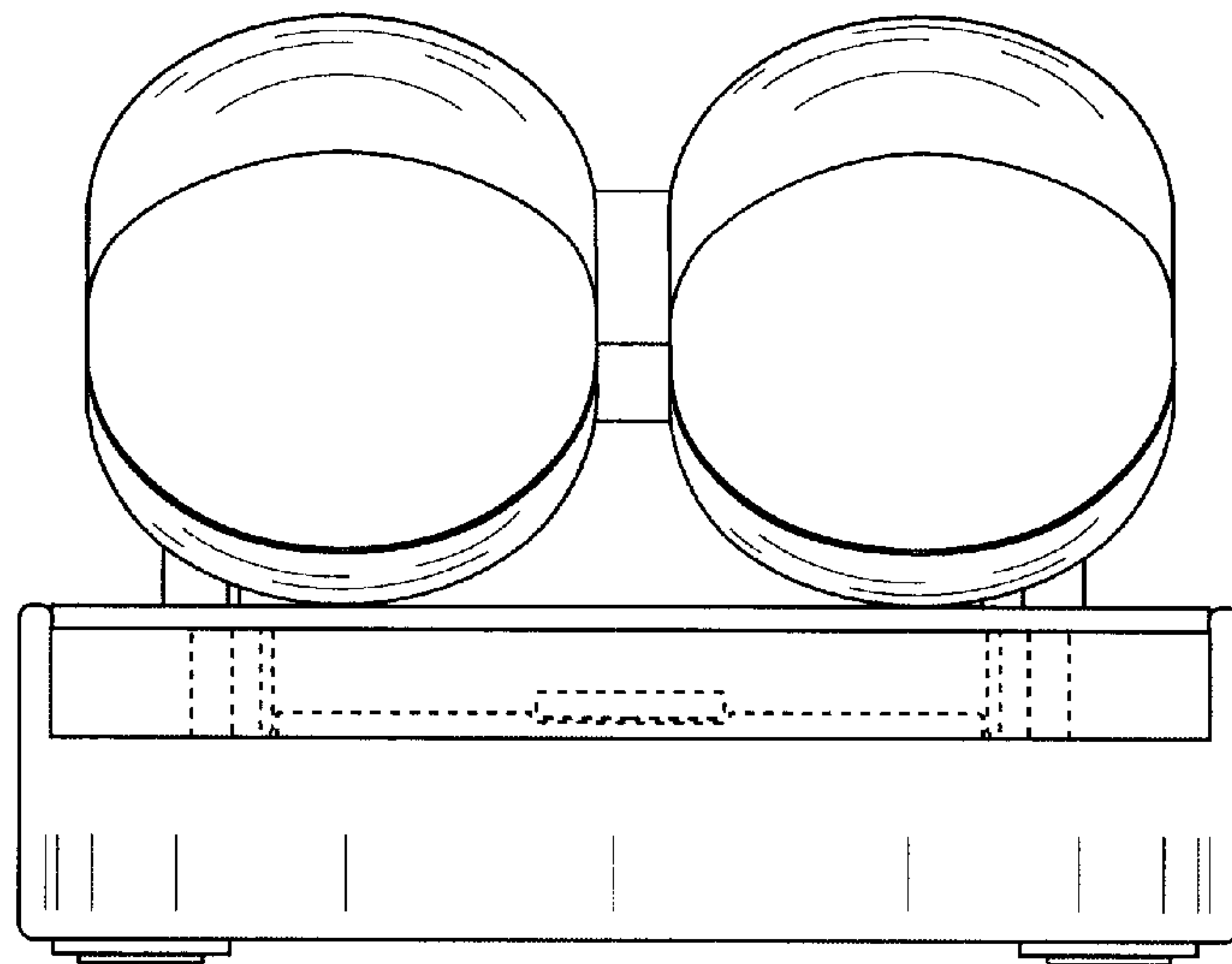


Fig. 1

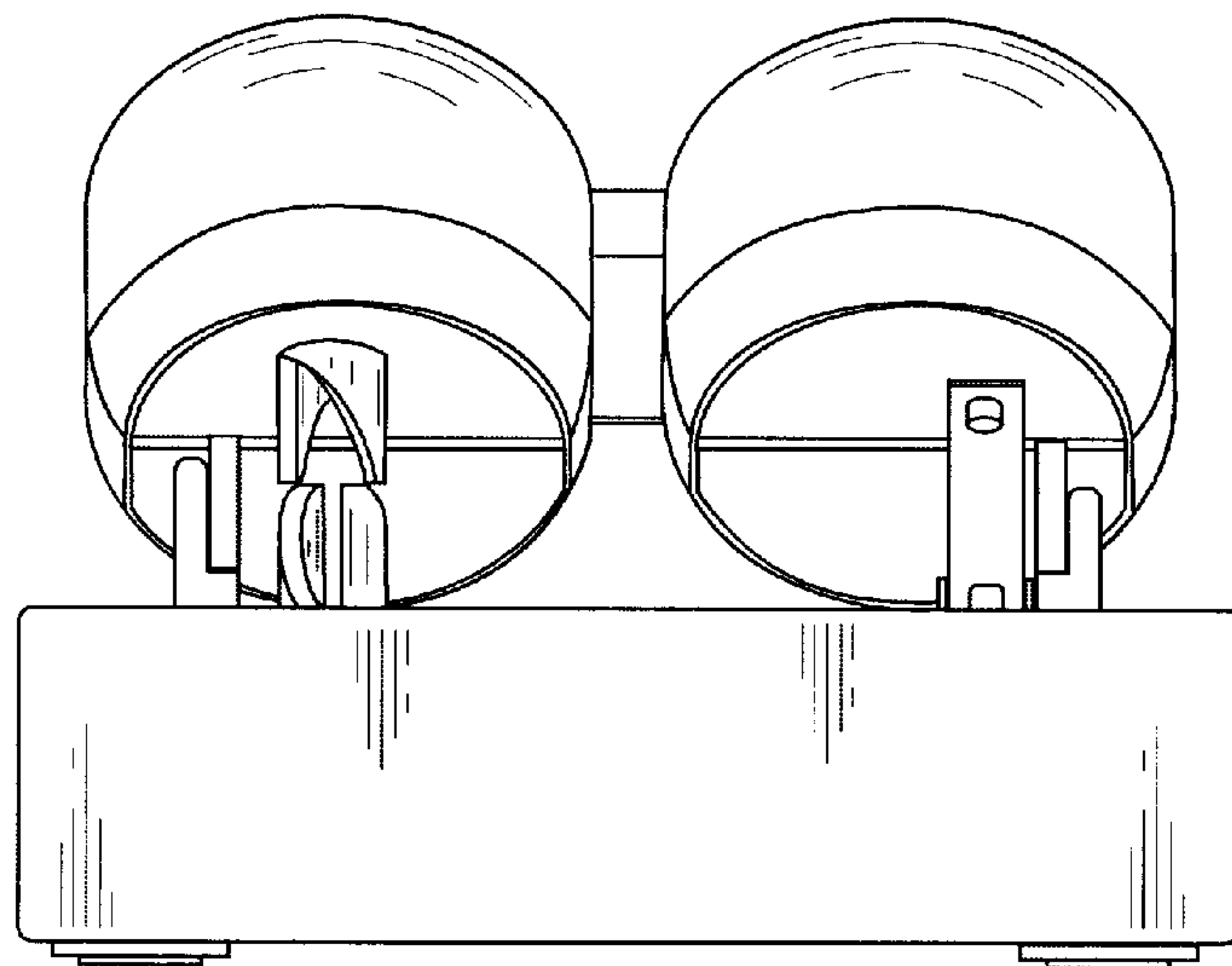


Fig. 2

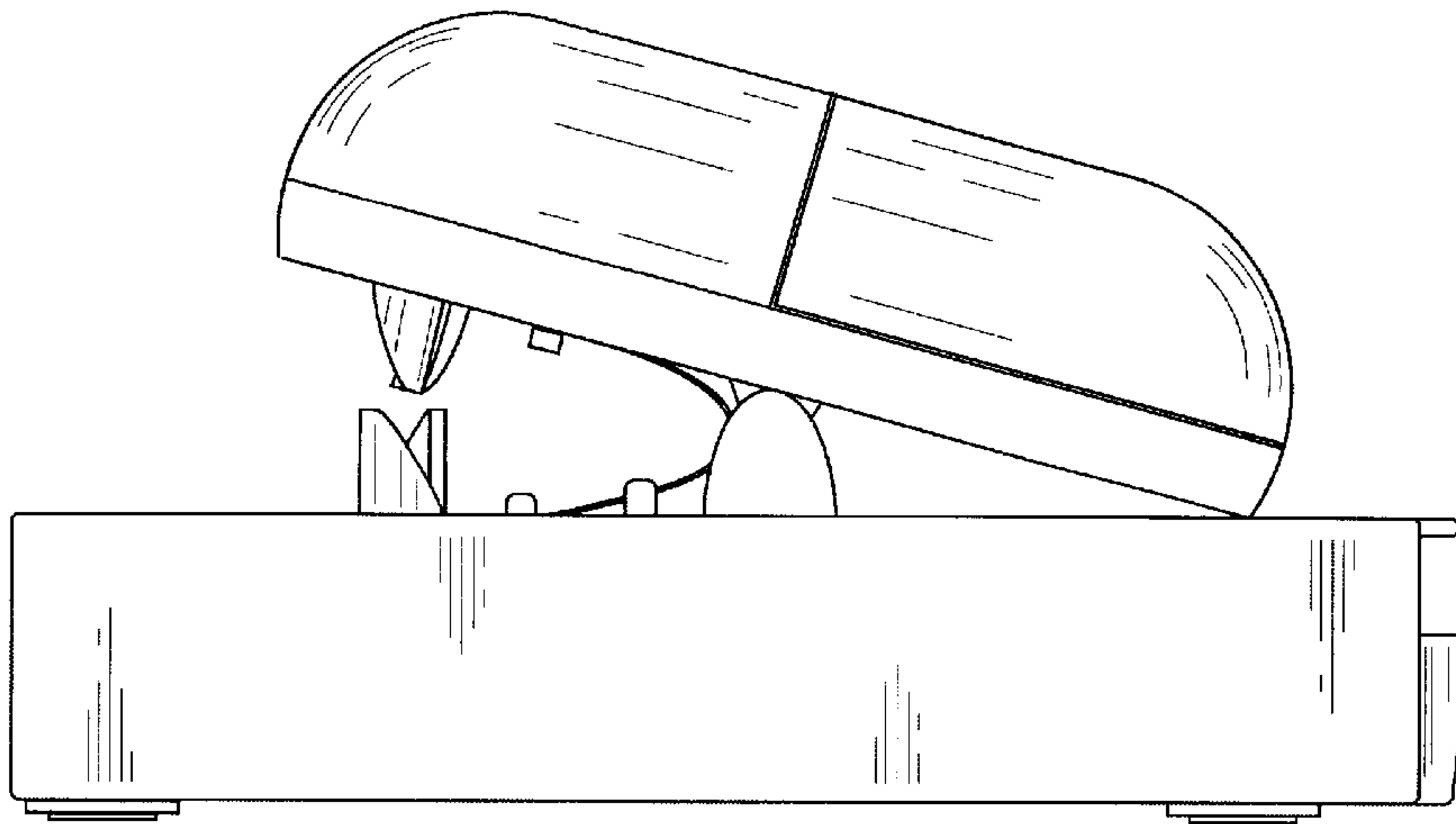


Fig. 3

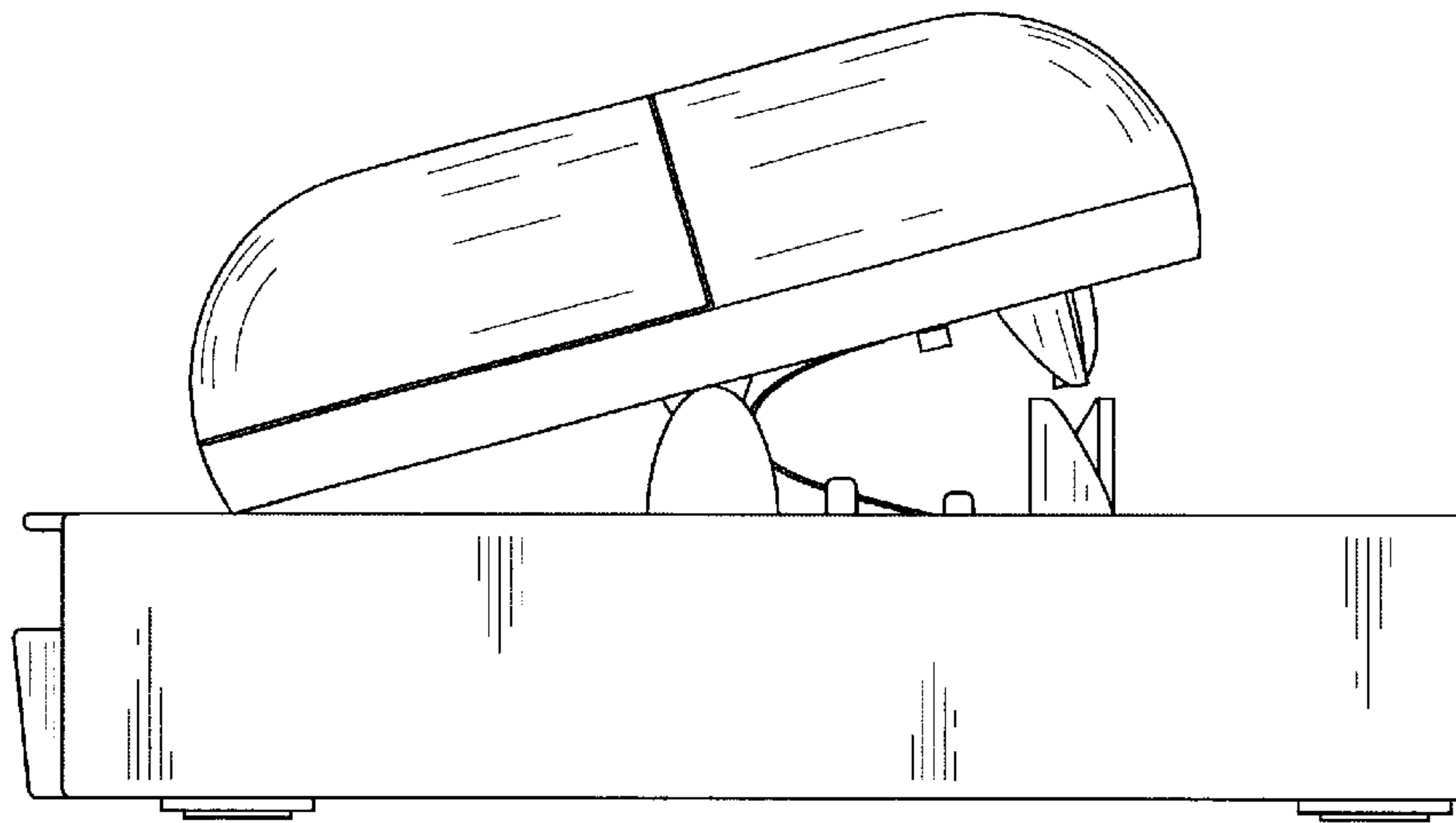


Fig. 4

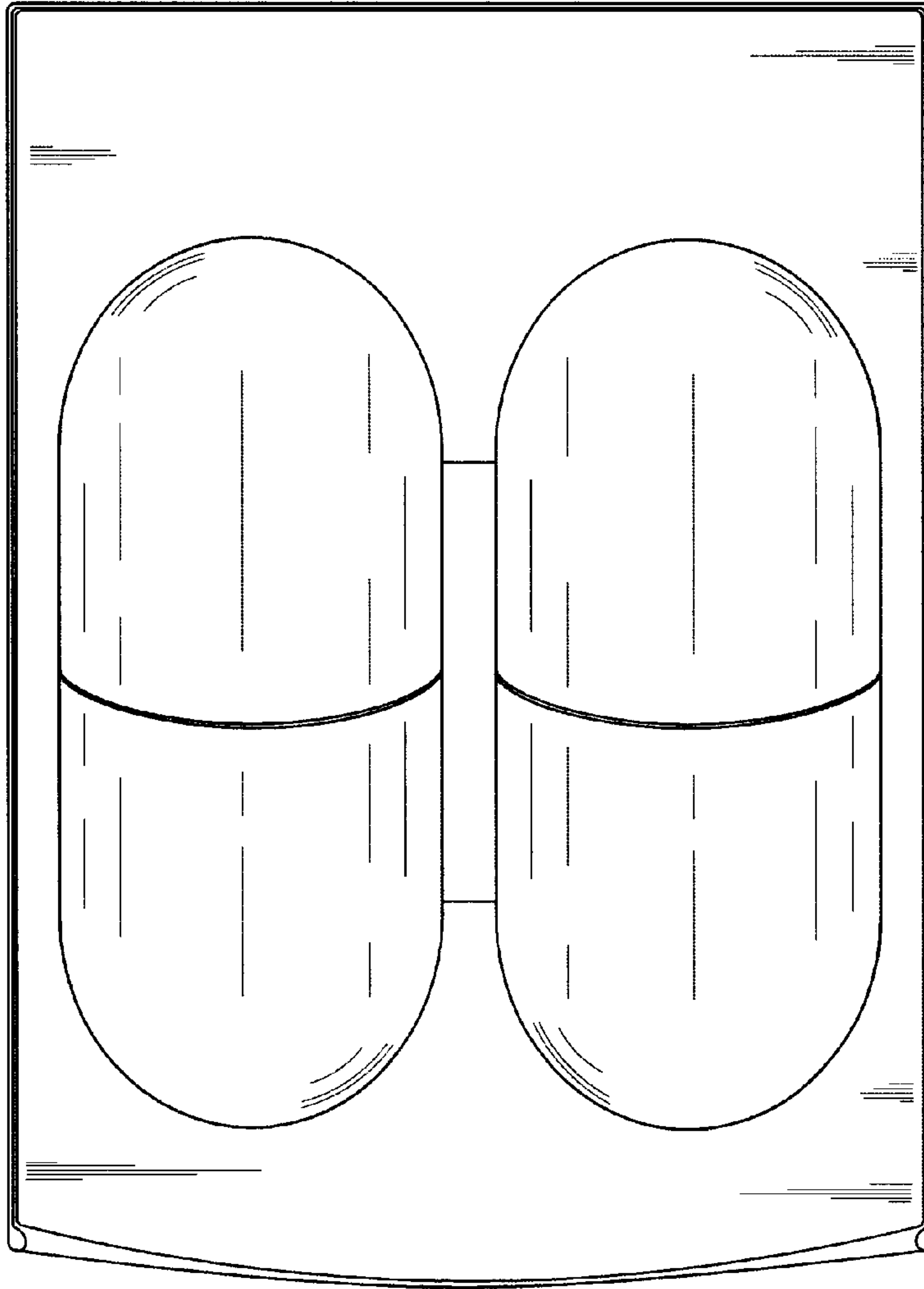


Fig. 5

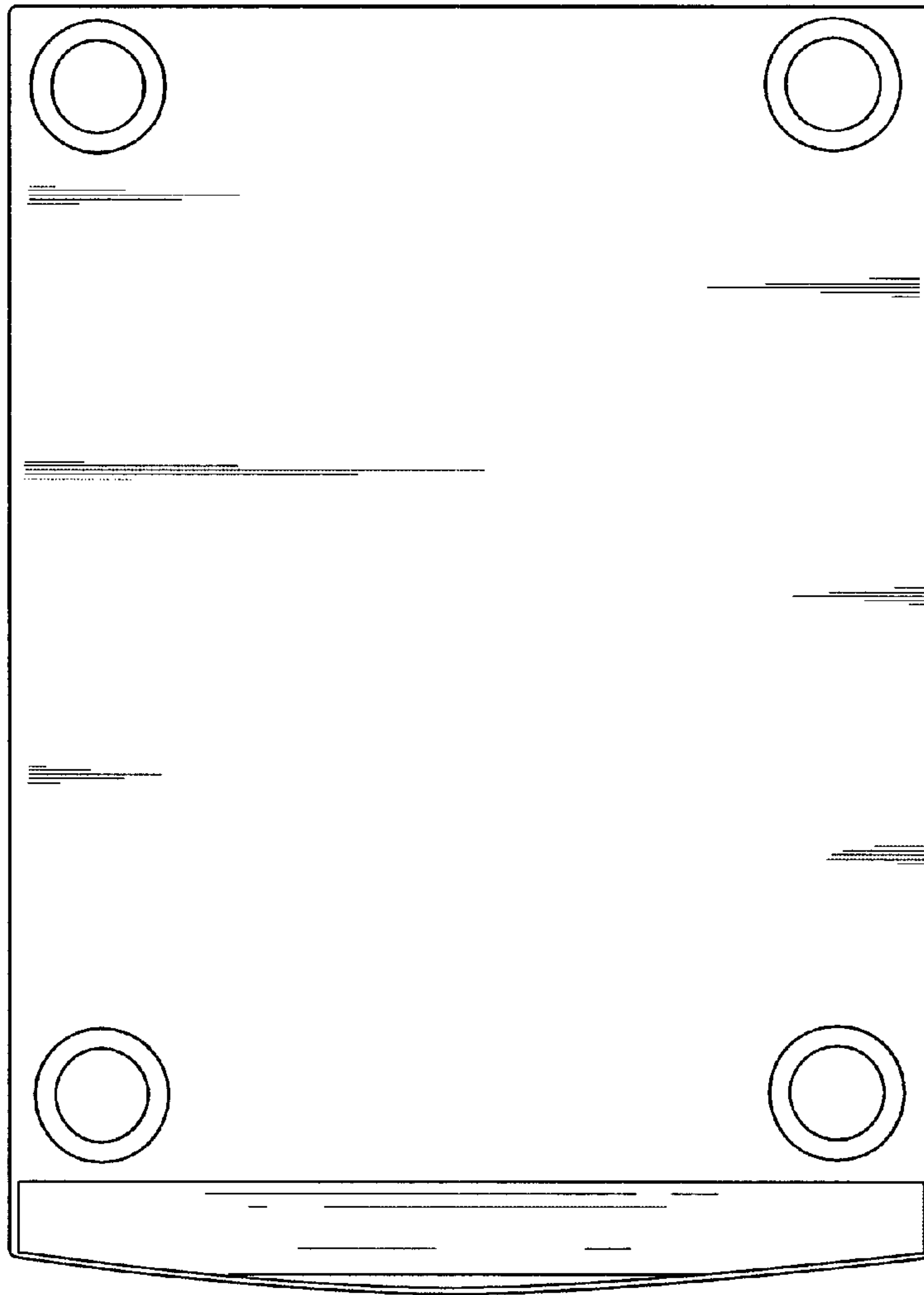


Fig. 6

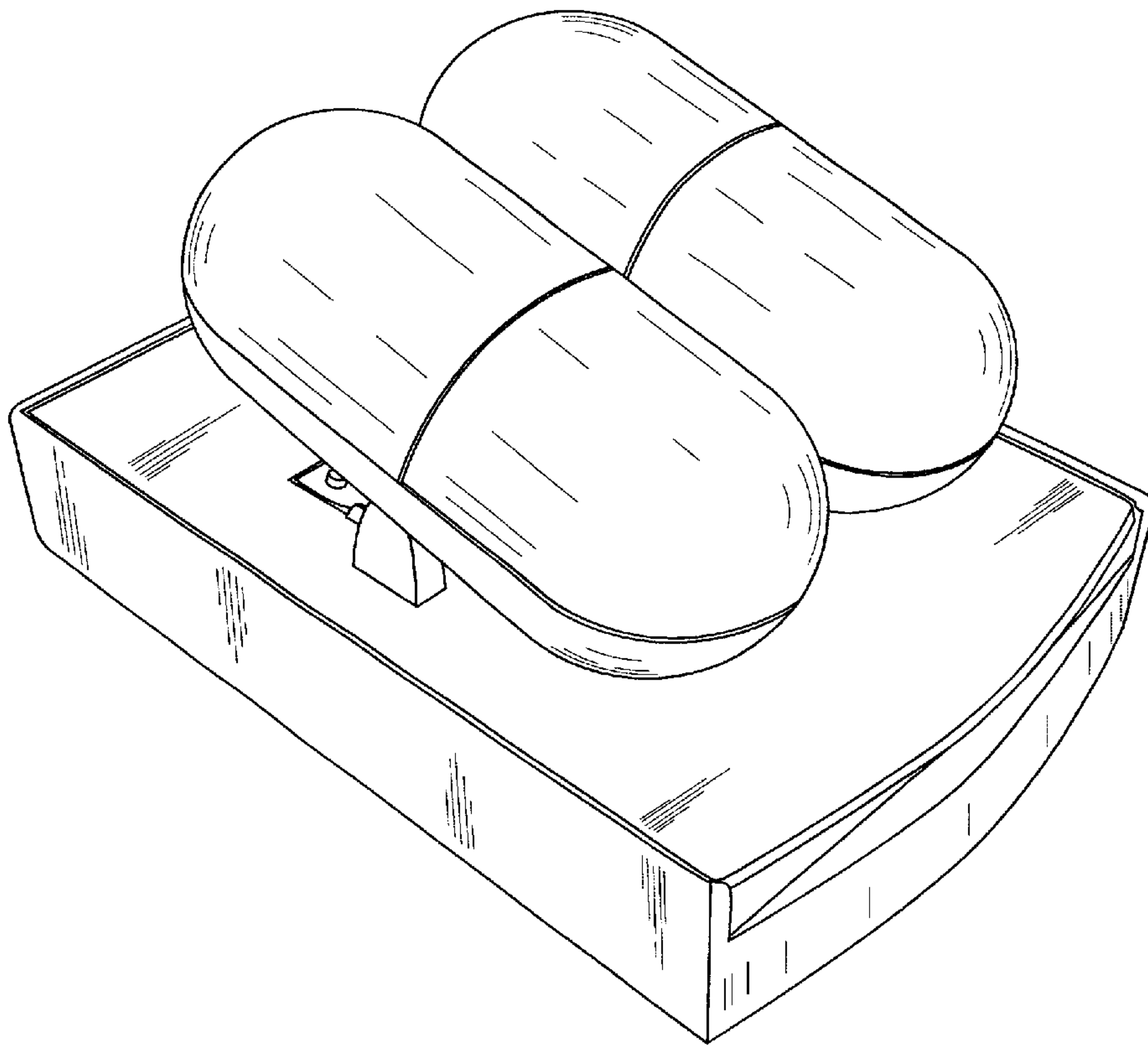


Fig. 7