



US00D518517S

(12) **United States Design Patent** (10) **Patent No.:** **US D518,517 S**
Sasaki et al. (45) **Date of Patent:** **** Apr. 4, 2006**

(54) **INK CARTRIDGE**

(75) Inventors: **Toyonori Sasaki**, Anjo (JP); **Shingo Hattori**, Tsushima (JP)

(73) Assignee: **Brother Industries, Ltd.**, Nagoya (JP)

(**) Term: **14 Years**

(21) Appl. No.: **29/209,004**

(22) Filed: **Jul. 12, 2004**

(30) **Foreign Application Priority Data**

Feb. 6, 2004 (JP) 2004-003099

(51) **LOC (8) Cl.** **18-02**

(52) **U.S. Cl.** **D18/56; 347/86**

(58) **Field of Classification Search** D18/40,
D18/43, 56; 347/33, 49, 50, 86-87; 399/110
See application file for complete search history.

(56) **References Cited**

U.S. PATENT DOCUMENTS

- D375,523 S * 11/1996 Murray D18/56
- D377,371 S * 1/1997 Tokuda et al. D18/56
- D381,681 S * 7/1997 Takenouchi et al. D18/56
- D395,445 S * 6/1998 Tokuda et al. D18/56
- D424,103 S * 5/2000 Eckard et al. D18/56
- D430,897 S * 9/2000 Bishop et al. D18/56

- D437,611 S * 2/2001 Gassett et al. D18/56
- D441,787 S * 5/2001 Bishop et al. D18/56
- D456,835 S * 5/2002 Nanjo et al. D18/56
- D462,382 S * 9/2002 Nanjo et al. D18/56
- D462,384 S * 9/2002 Sasaki et al. D18/56
- D465,516 S * 11/2002 Shinada et al. D18/56
- D466,151 S * 11/2002 Shinada et al. D18/56
- D477,841 S * 7/2003 Shimizu et al. D18/56
- 6,742,857 B1 * 6/2004 Koshikawa et al. 347/19
- 6,945,642 B1 * 9/2005 Yamamoto et al. 347/86

* cited by examiner

Primary Examiner—Cathy Anne MacCormac

(74) *Attorney, Agent, or Firm*—Oliff & Berridge, PLC

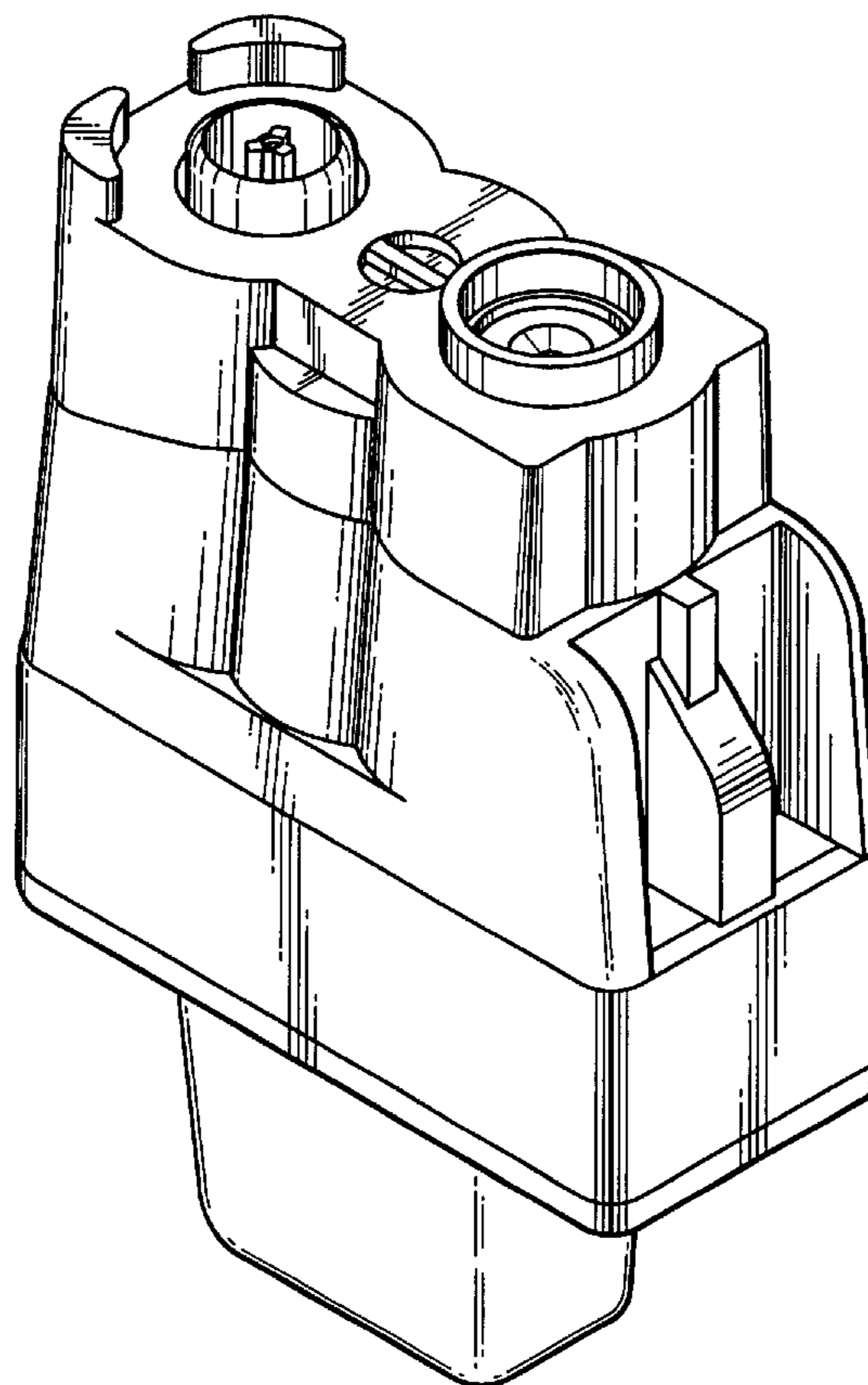
(57) **CLAIM**

The ornamental design for an ink cartridge, as shown and described.

DESCRIPTION

FIG. 1 is a perspective view of an ink cartridge;
FIG. 2 is a front view thereof;
FIG. 3 is a top view thereof;
FIG. 4 is a right-side view thereof;
FIG. 5 is a left-side view thereof;
FIG. 6 is a rear view thereof; and,
FIG. 7 is a bottom view thereof.

1 Claim, 4 Drawing Sheets



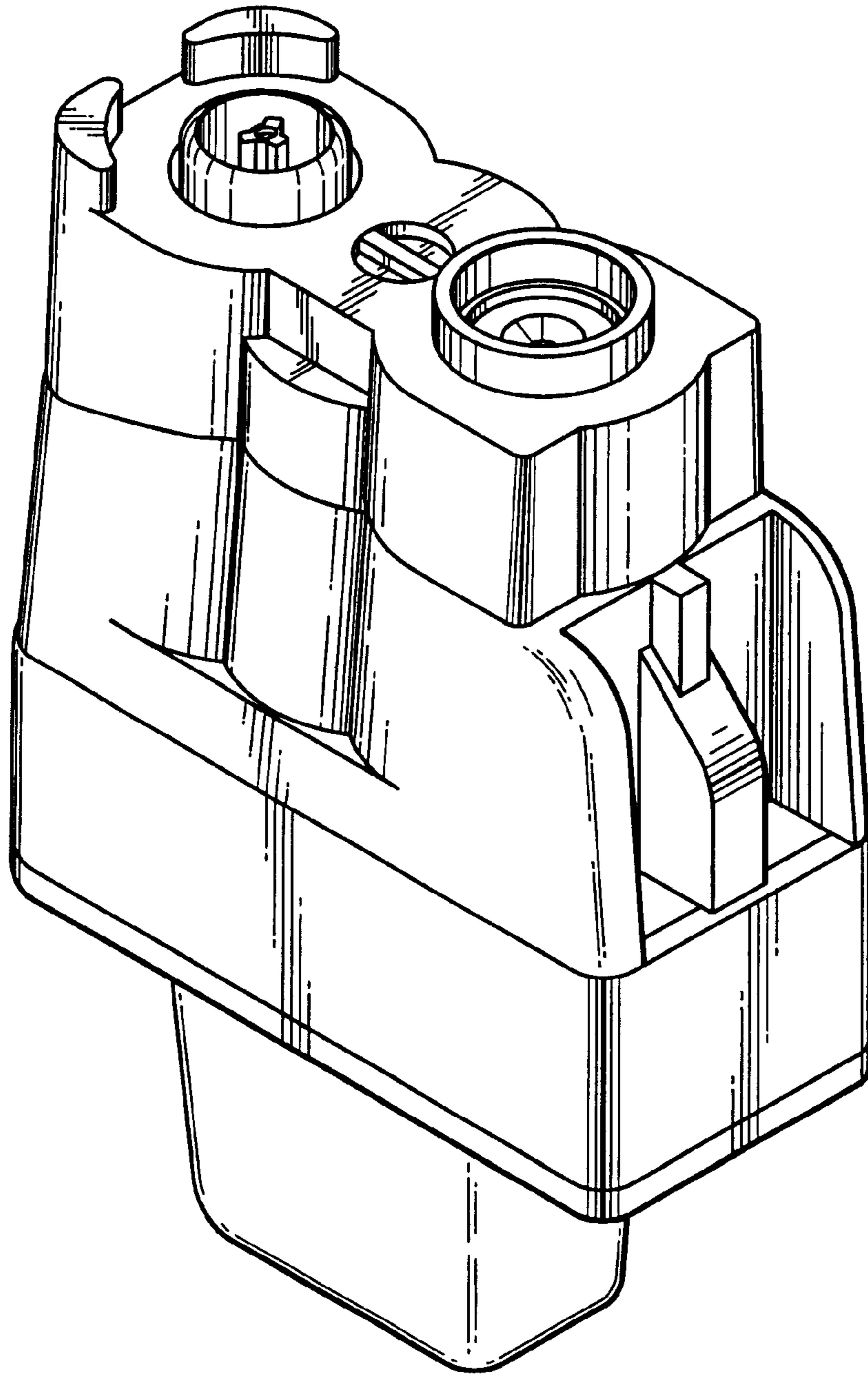


FIG. 1

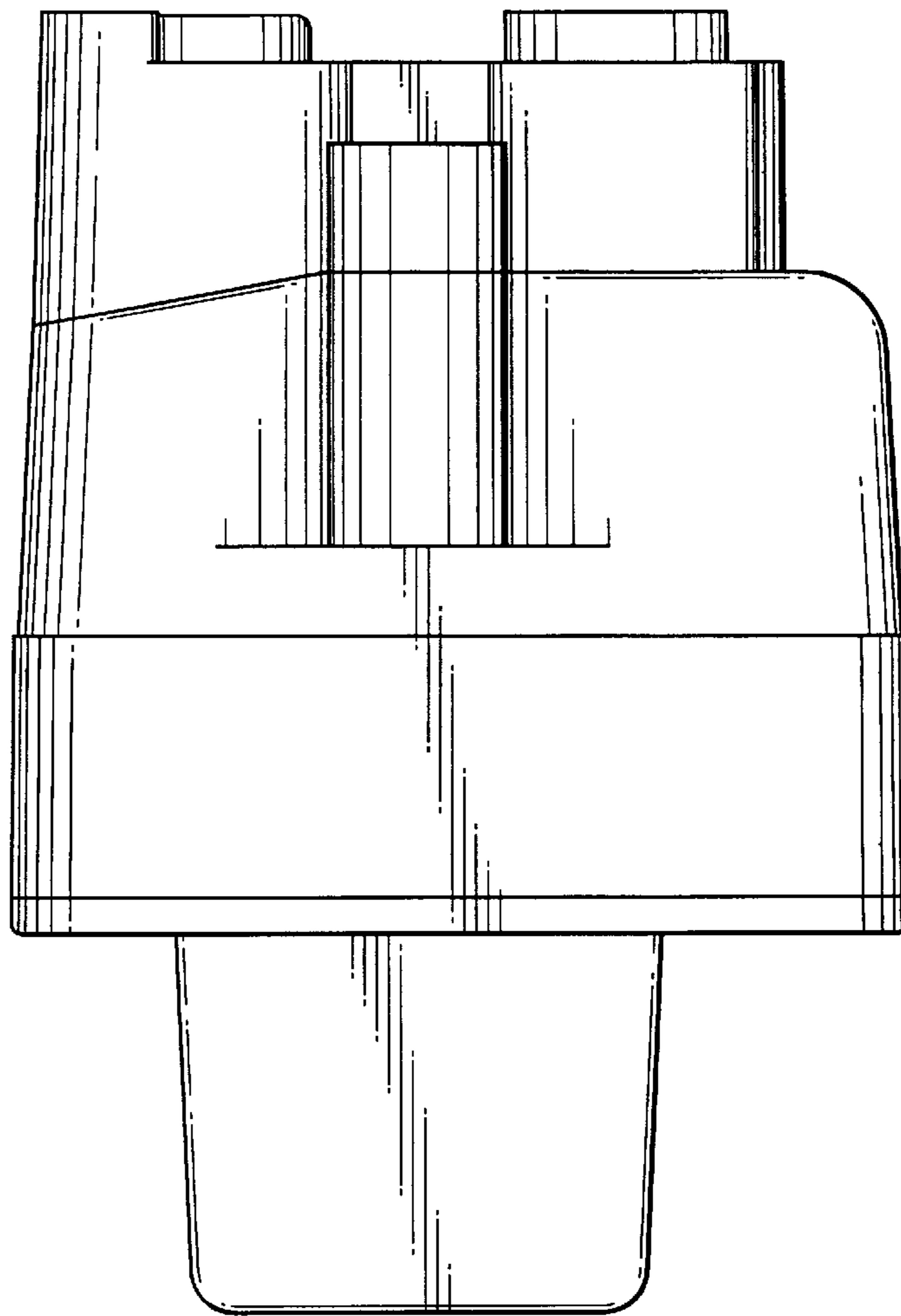


FIG. 2

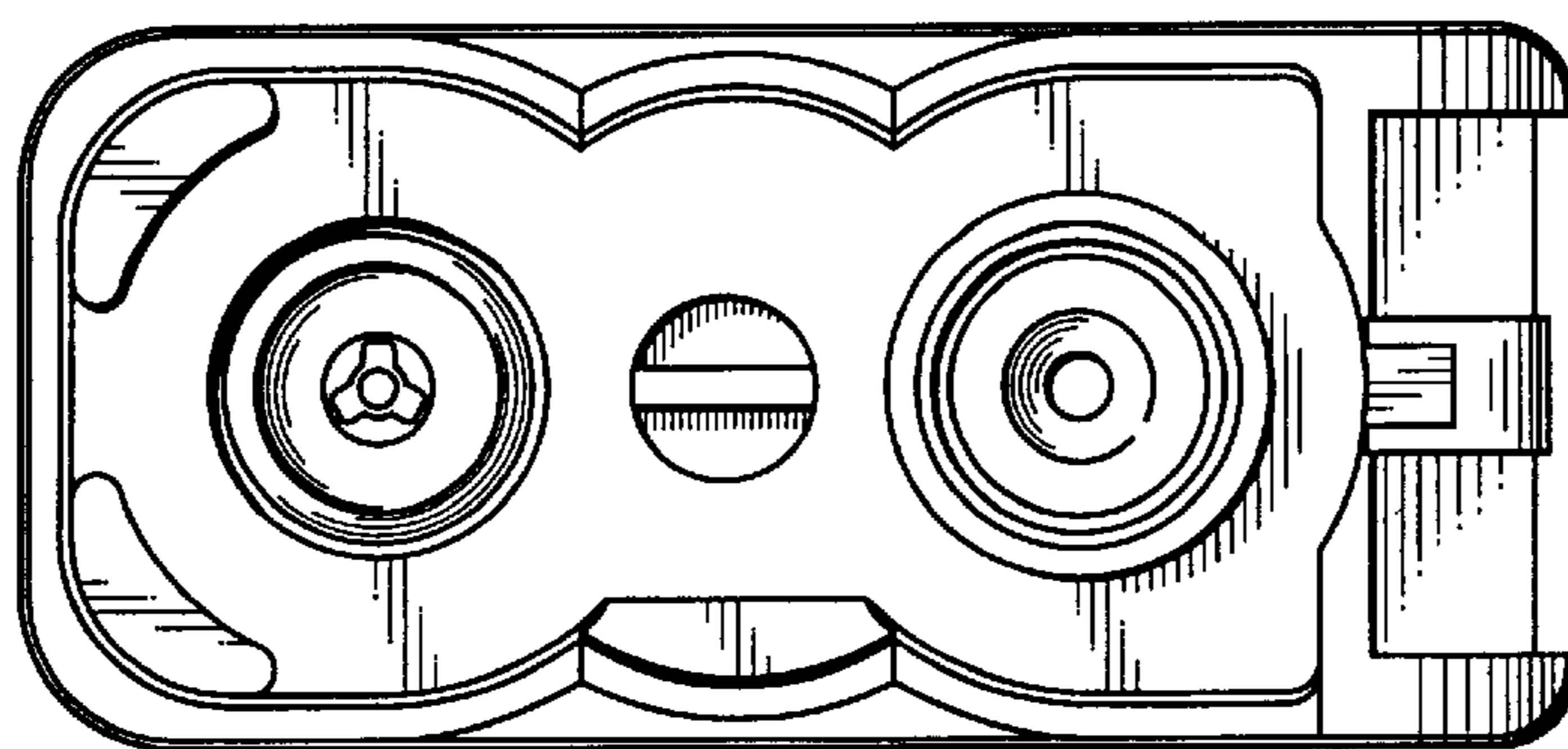


FIG. 3

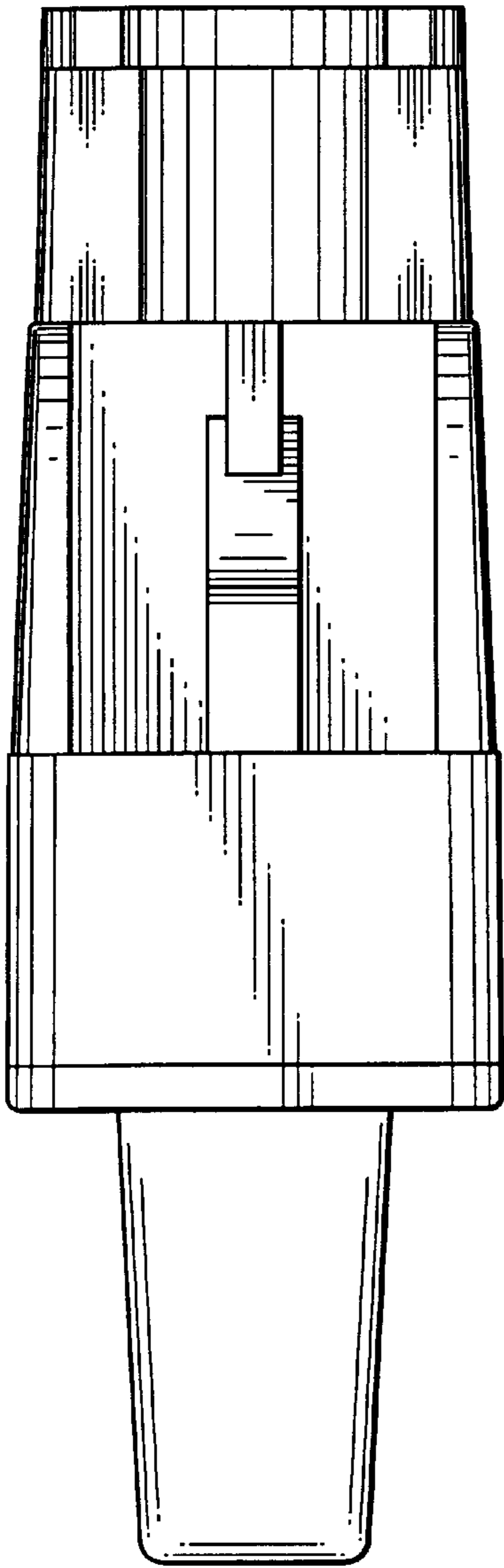


FIG. 4

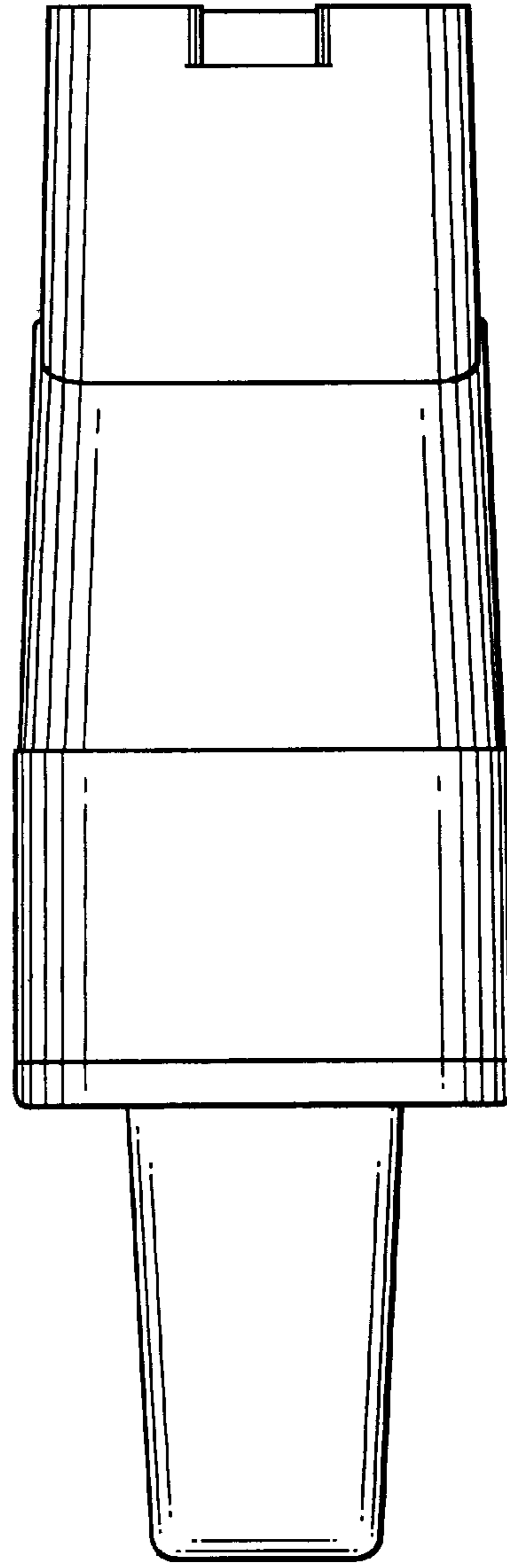


FIG. 5

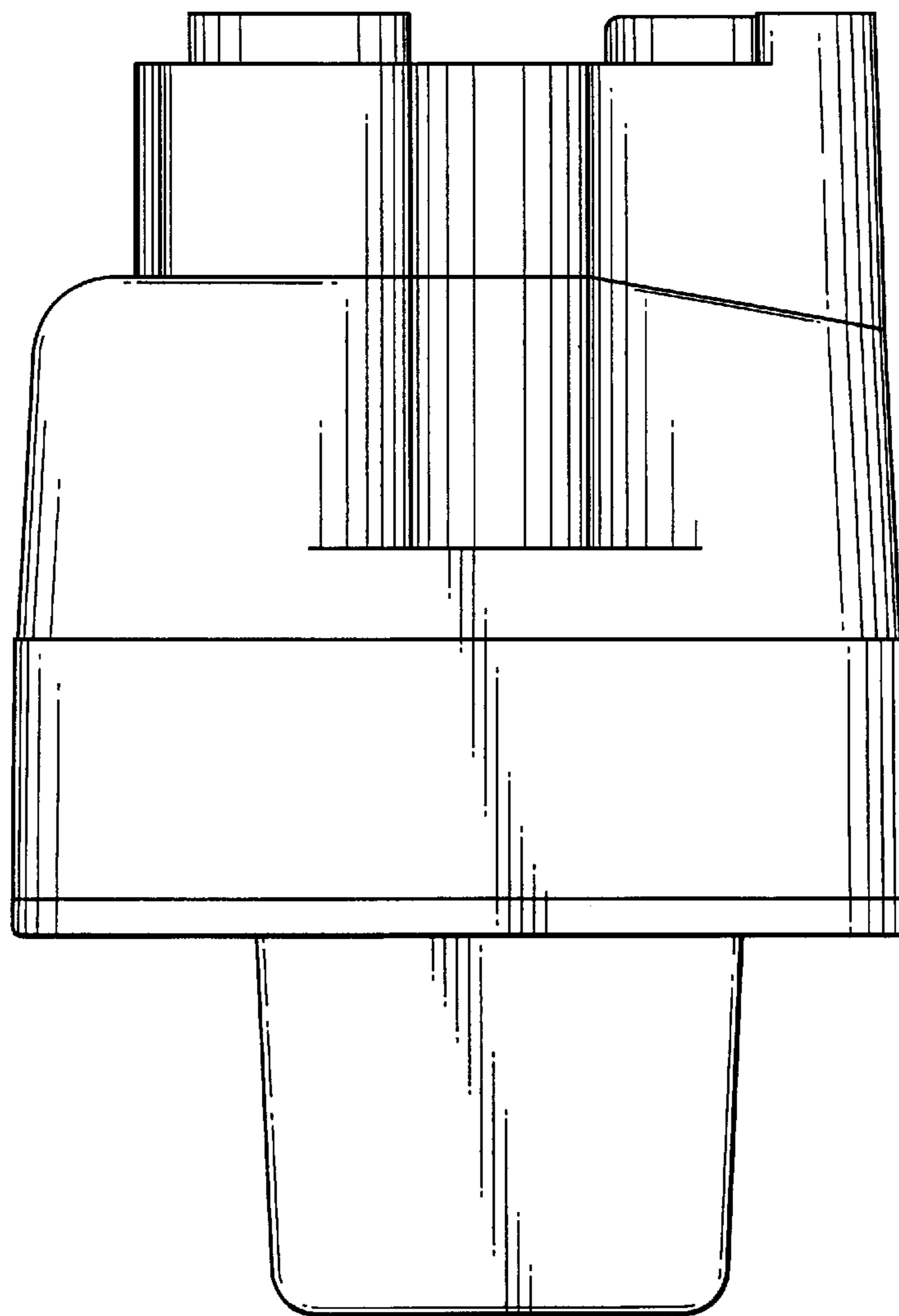


FIG. 6

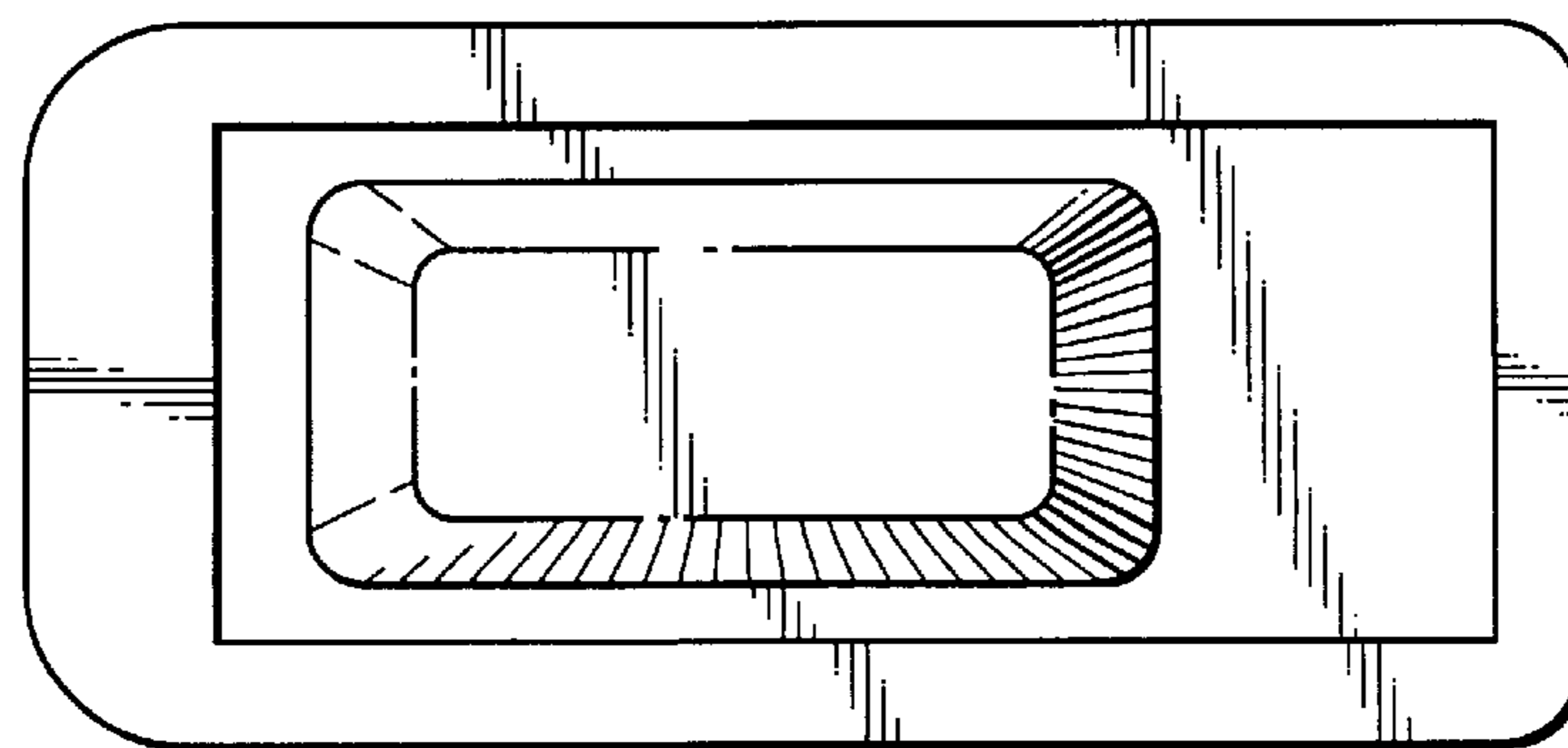


FIG. 7