



US00D518516S

(12) **United States Design Patent**  
**Katsuyama**

(10) **Patent No.:** **US D518,516 S**

(45) **Date of Patent:** **\*\* Apr. 4, 2006**

(54) **PRINTER INK CARTRIDGE**

(75) Inventor: **Goro Katsuyama**, Yokohama (JP)

(73) Assignee: **Ricoh Company, Ltd.**, Tokyo (JP)

(\*\*) Term: **14 Years**

(21) Appl. No.: **29/177,241**

(22) Filed: **Mar. 7, 2003**

(30) **Foreign Application Priority Data**

Sep. 10, 2002 (JP) ..... 2002-024592

(51) **LOC (8) Cl.** ..... **18-02**

(52) **U.S. Cl.** ..... **D18/56; 347/86**

(58) **Field of Classification Search** ..... D18/40,  
D18/43, 56; 347/86, 87  
See application file for complete search history.

(56) **References Cited**

**U.S. PATENT DOCUMENTS**

- D273,788 S \* 5/1984 Ault ..... D18/56
- D381,360 S \* 7/1997 Kawai et al. .... D18/56
- D424,103 S \* 5/2000 Eckard et al. .... D18/56
- D430,202 S \* 8/2000 Kotaki et al. .... D18/56

- D430,601 S \* 9/2000 Kotaki et al. .... D18/56
- 6,168,267 B1 \* 1/2001 Komplin ..... 347/86
- D437,611 S \* 2/2001 Gasset et al. .... D18/56
- 6,347,865 B1 \* 2/2002 Matsumoto et al. .... 347/86

\* cited by examiner

*Primary Examiner*—Cathy Anne MacCormac

(74) *Attorney, Agent, or Firm*—Dickstein Shapiro Morin & Oshinsky LLP

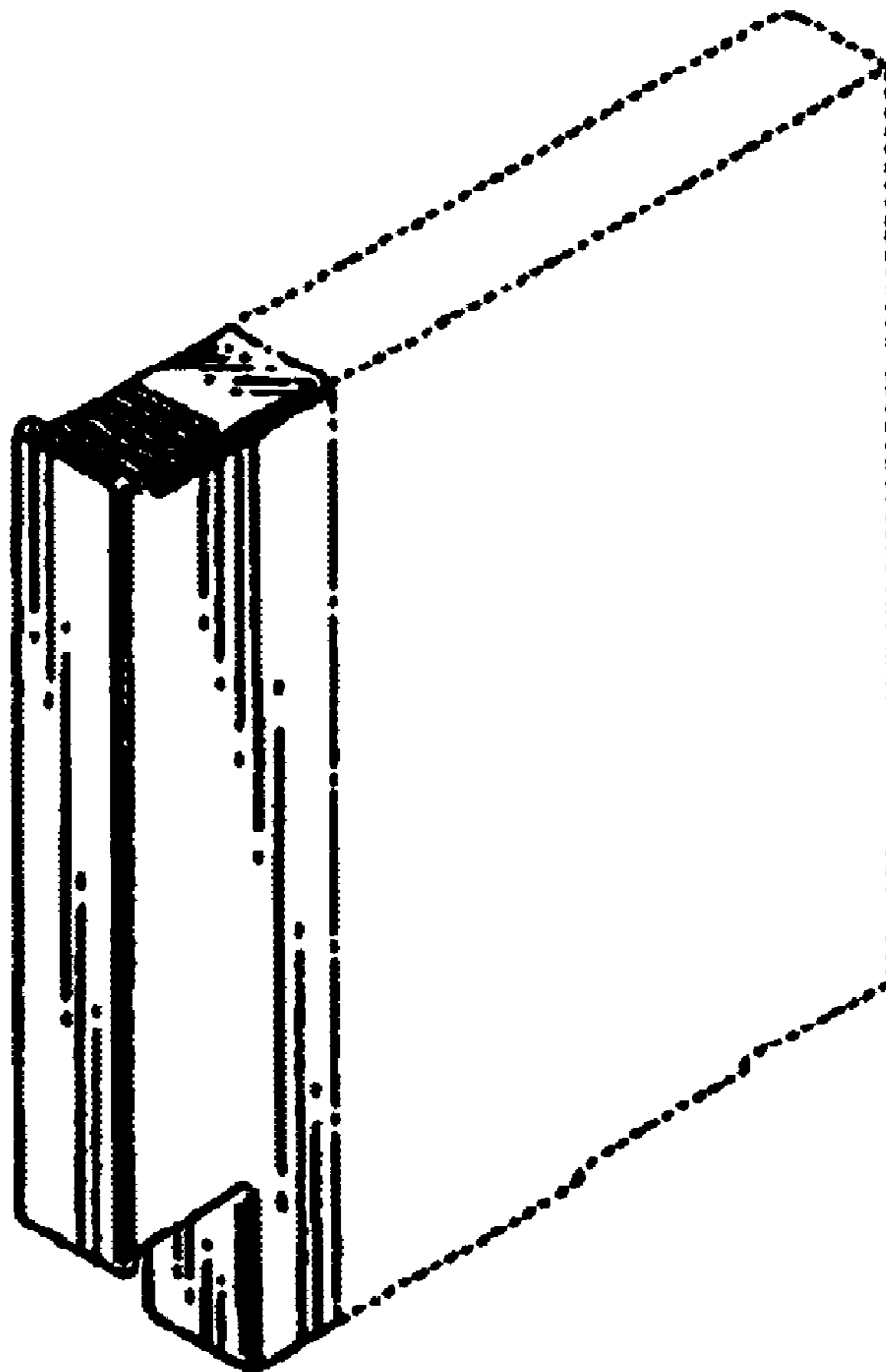
(57) **CLAIM**

The ornamental design for a printer ink cartridge, as shown and described.

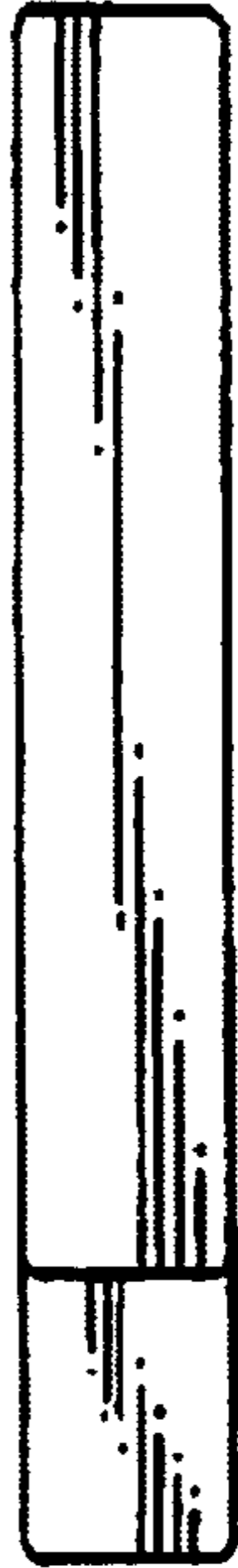
**DESCRIPTION**

FIG. 1 is a front elevation of a printer ink cartridge according to the present invention;  
FIG. 2 is a rear elevation thereof;  
FIG. 3 is a top plan view thereof;  
FIG. 4 is a bottom plan view thereof;  
FIG. 5 is a right side elevation thereof; and,  
FIG. 6 is a top, front and right side perspective view thereof.  
The broken lines are for illustrative purposes only and form no part of the claimed design.

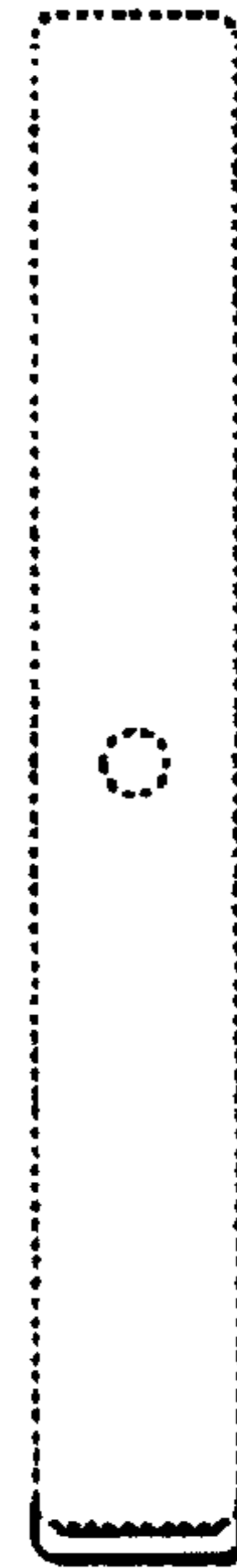
**1 Claim, 2 Drawing Sheets**



**FIG. 1**



**FIG. 2**



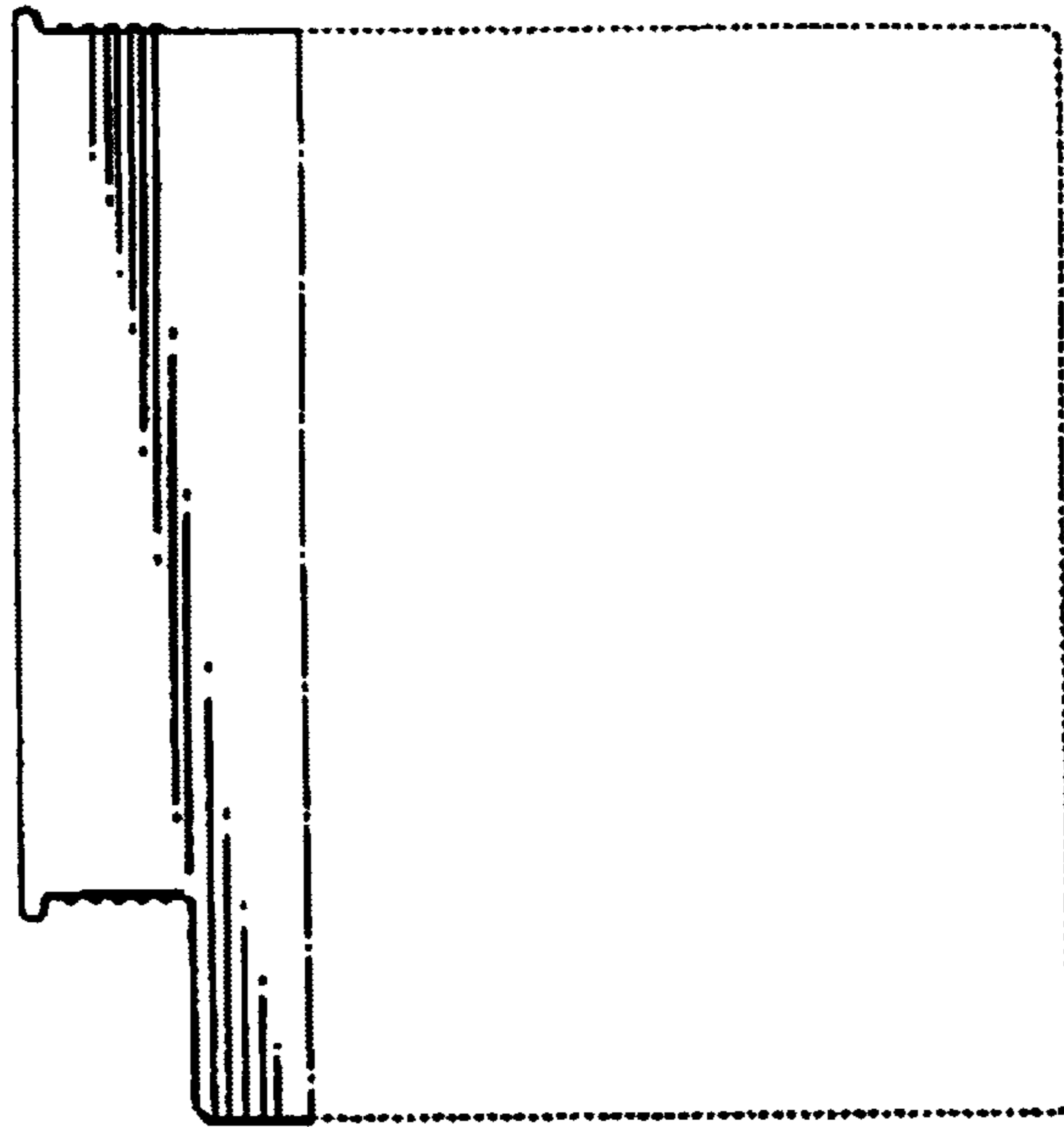
**FIG. 3**



**FIG. 4**



**FIG. 5**



**FIG. 6**

