



US00D518513S

(12) **United States Design Patent**  
**Sugitani**

(10) **Patent No.:** **US D518,513 S**

(45) **Date of Patent:** **\*\* Apr. 4, 2006**

(54) **PRINTER FOR AN IMAGE SCANNER**

(75) Inventor: **Minoru Sugitani**, Kahoku (JP)

(73) Assignee: **PFU Limited**, Ishikawa (JP)

(\*\*) Term: **14 Years**

(21) Appl. No.: **29/213,400**

(22) Filed: **Sep. 17, 2004**

(30) **Foreign Application Priority Data**

Jun. 25, 2004 (JP) ..... 2004-018995

(51) **LOC (8) Cl.** ..... **18-02**

(52) **U.S. Cl.** ..... **D18/50**

(58) **Field of Classification Search** ..... D18/19,  
D18/36-41, 50, 53, 54, 54.1, 55; D14/420-425,  
D14/462-470; 400/613, 613.1-613.4, 690.1-690.4,  
400/691-694

See application file for complete search history.

(56) **References Cited**

**U.S. PATENT DOCUMENTS**

- D307,158 S \* 4/1990 Perry ..... D18/38
- D334,586 S \* 4/1993 Imai et al. .... D18/54
- D340,470 S \* 10/1993 Tsutsui ..... D18/50
- D344,973 S \* 3/1994 Penke et al. .... D18/39
- D359,066 S \* 6/1995 Kondo et al. .... D18/39
- D370,496 S \* 6/1996 Inoue et al. .... D18/50

- D404,066 S \* 1/1999 Sakata ..... D18/54
- D439,271 S \* 3/2001 Takimura ..... D18/39
- D455,779 S \* 4/2002 Falk et al. .... D18/53
- D456,834 S \* 5/2002 Fetherolf et al. .... D18/36
- D502,500 S \* 3/2005 Hoshiya et al. .... D18/50

\* cited by examiner

*Primary Examiner*—Louis S. Zarfes

*Assistant Examiner*—Anhdao Doan

(74) *Attorney, Agent, or Firm*—Staas & Halsey LLP

(57) **CLAIM**

The ornamental design for a printer for an image scanner, as shown and described.

**DESCRIPTION**

FIG. 1 is a front perspective view of a printer for an image scanner showing my new design;  
 FIG. 2 is a front view thereof;  
 FIG. 3 is a rear view thereof;  
 FIG. 4 is a left side elevational view thereof;  
 FIG. 5 is a right side elevational view thereof;  
 FIG. 6 is a top plan view thereof;  
 FIG. 7 is a bottom plan view thereof; and,  
 FIG. 8 is another perspective view of a printer for an image scanner shown in a typical use state.  
 The broken line in the drawings is for illustrative purpose only and forms no part of the claimed design.

**1 Claim, 4 Drawing Sheets**

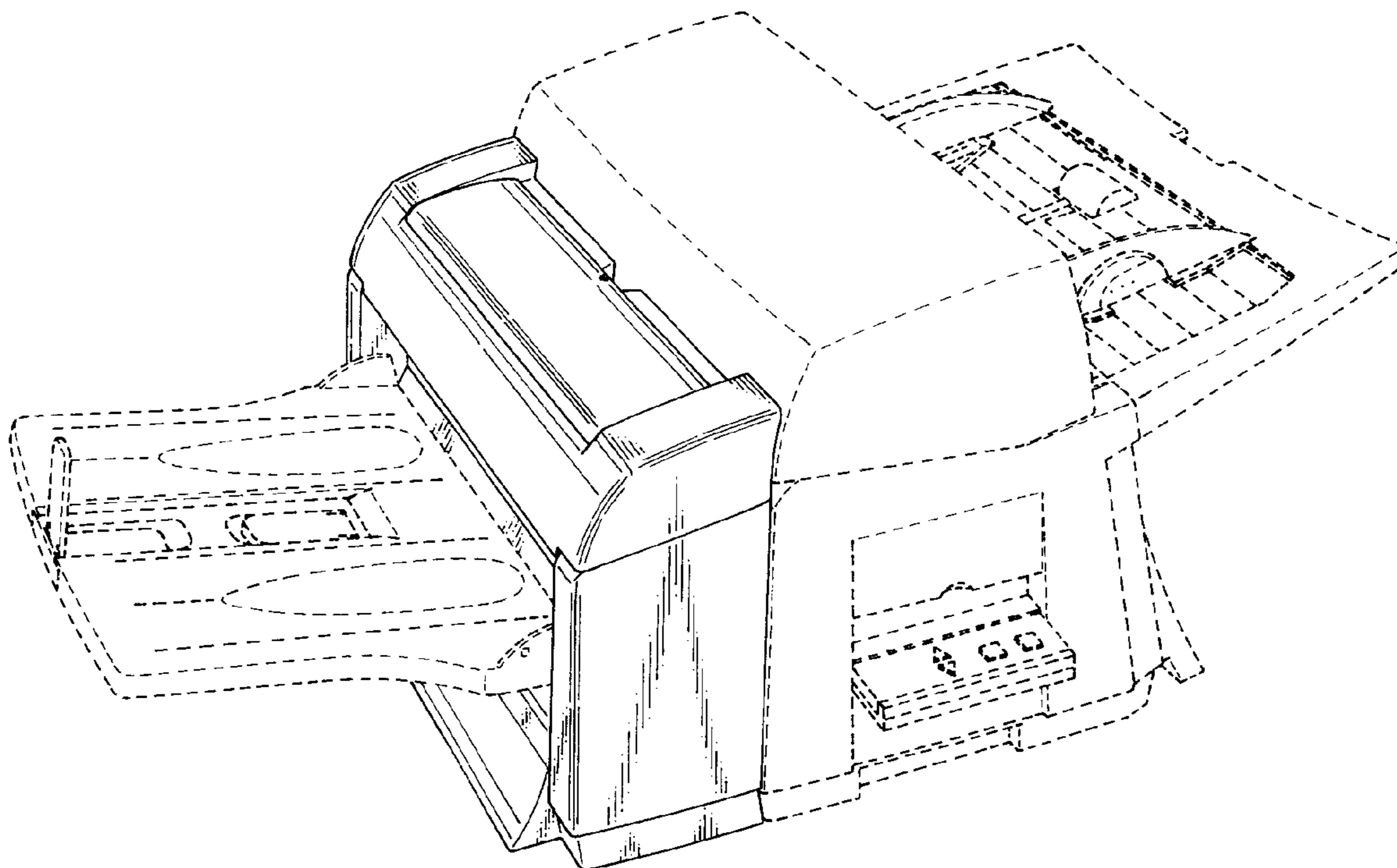


Fig. 1

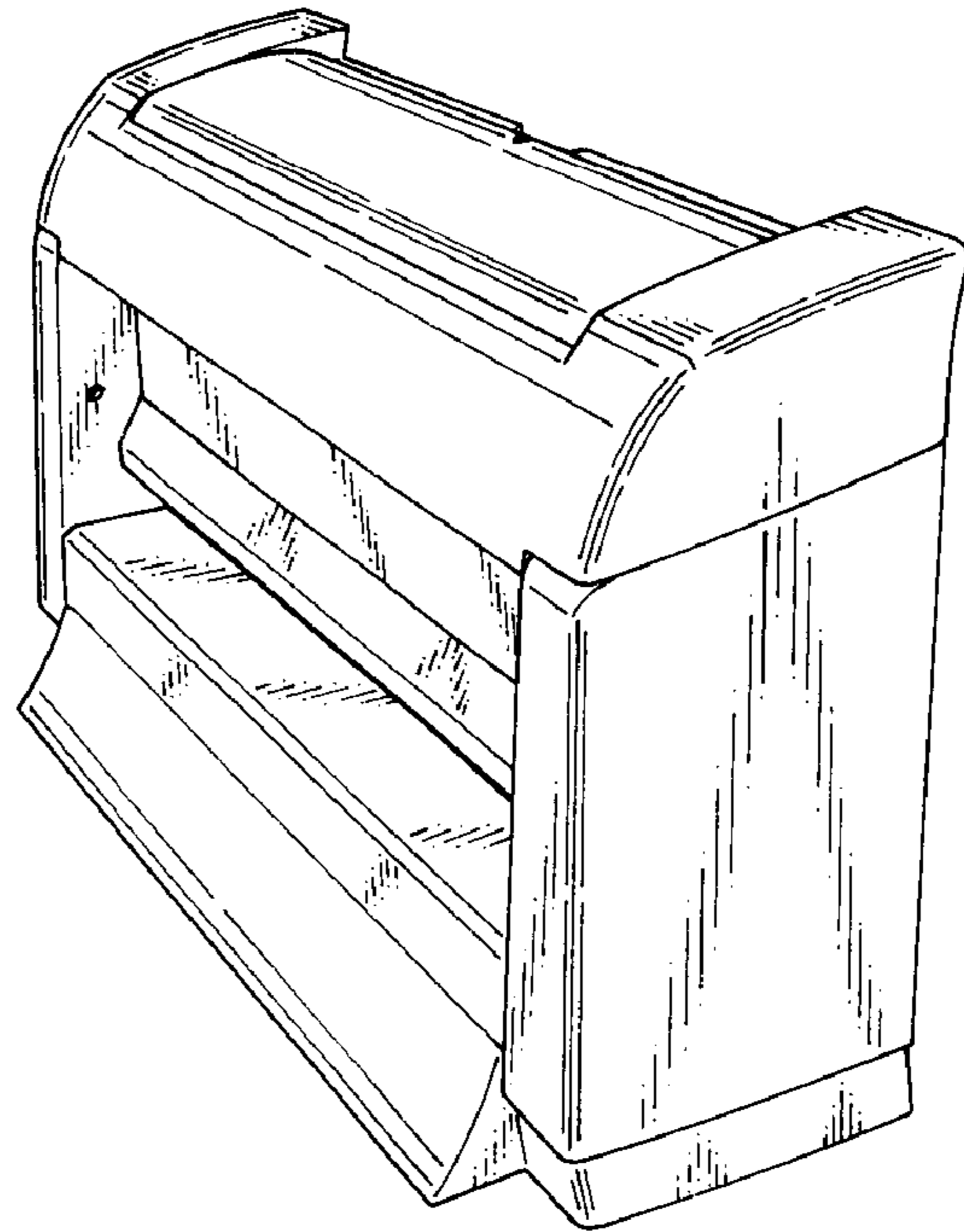


Fig. 2

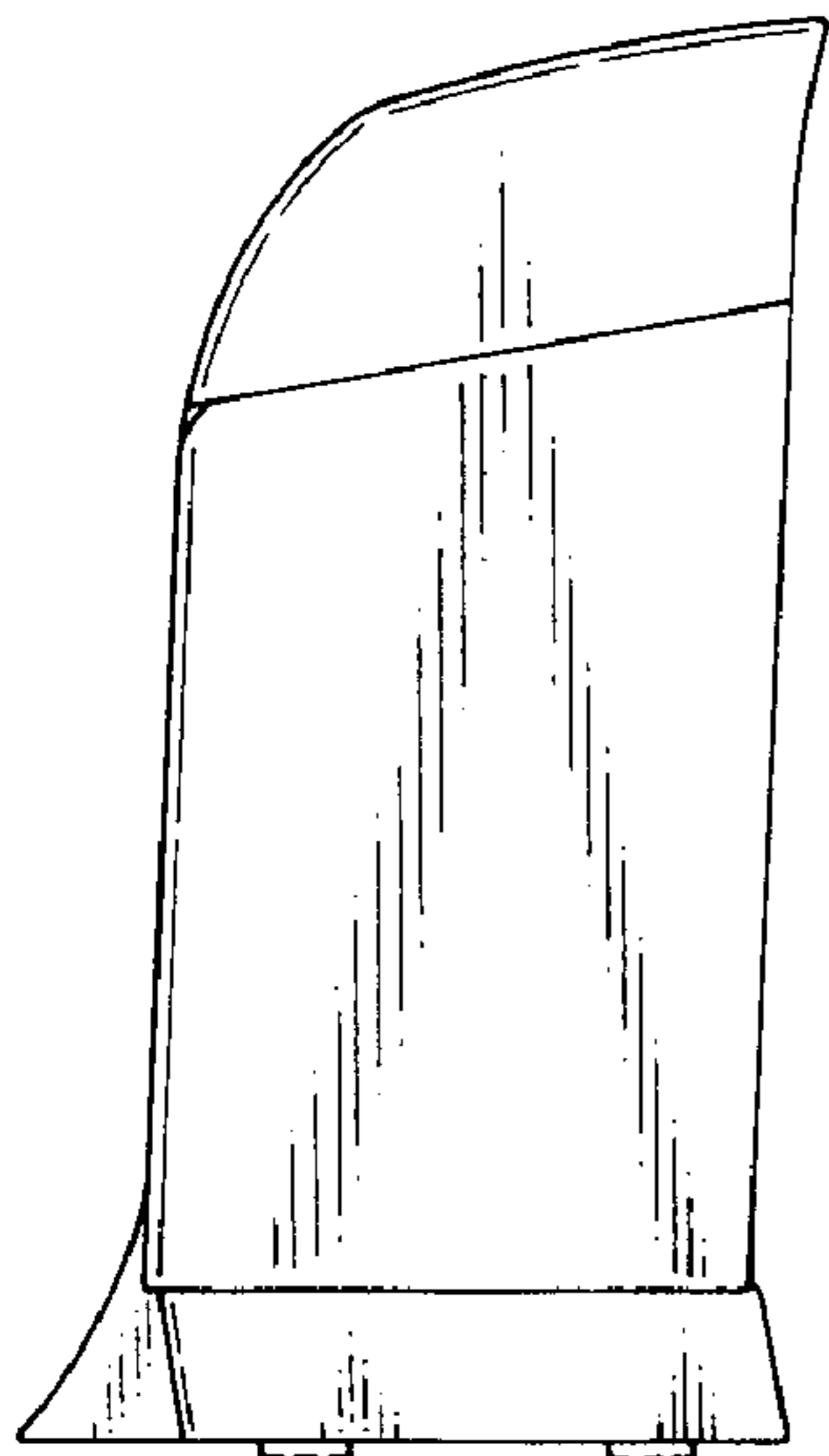


Fig. 3

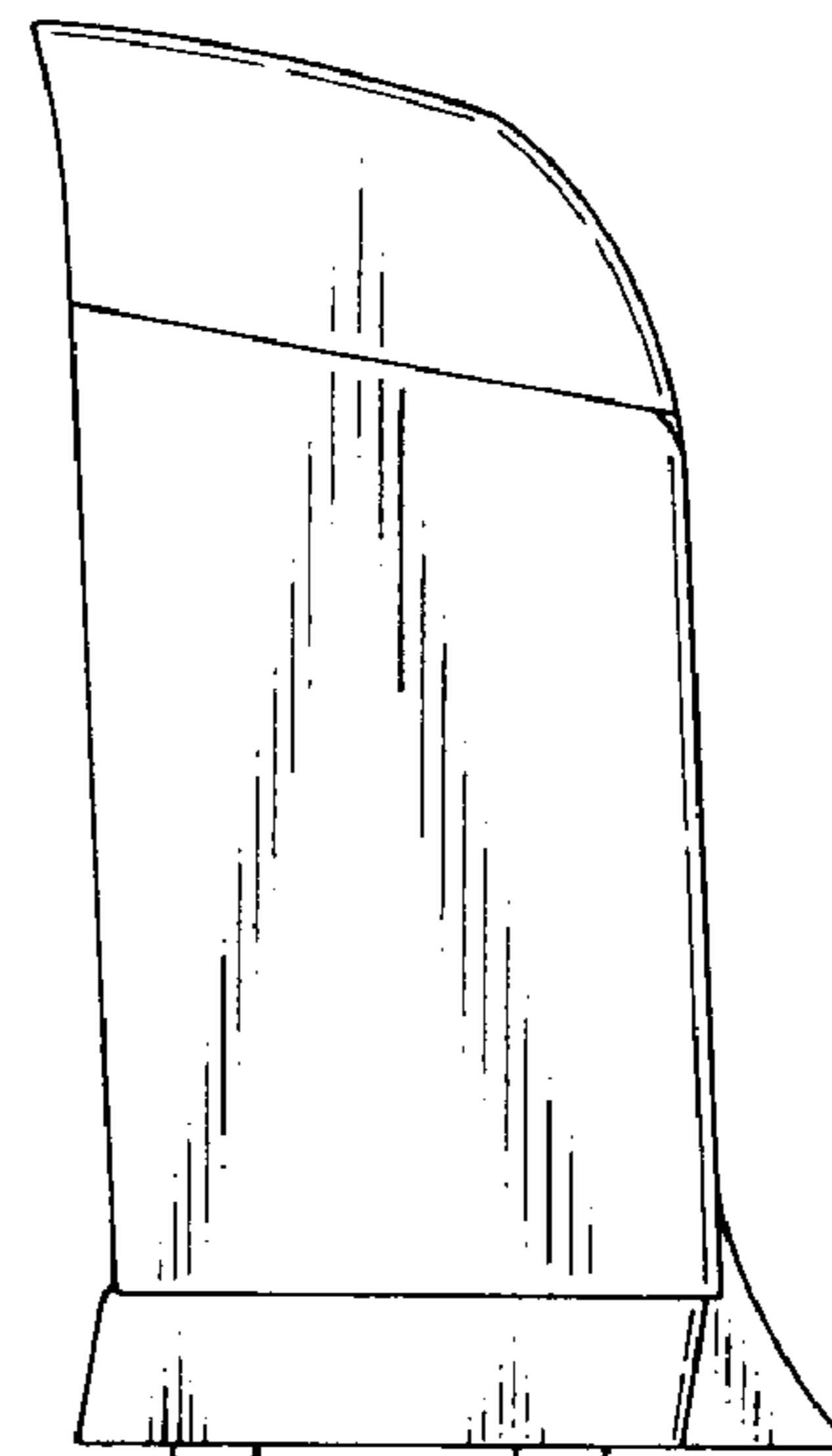


Fig.4

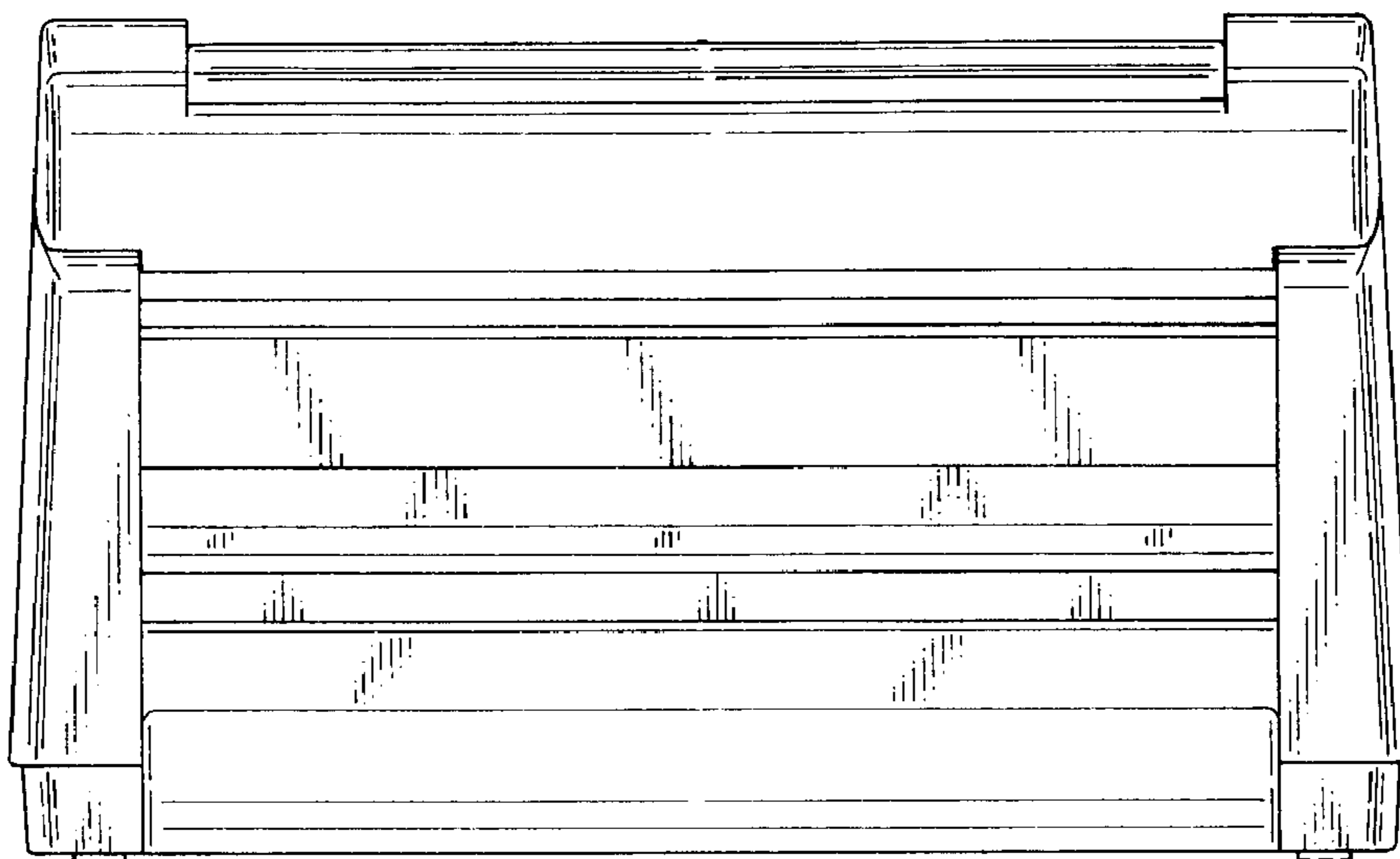


Fig.5

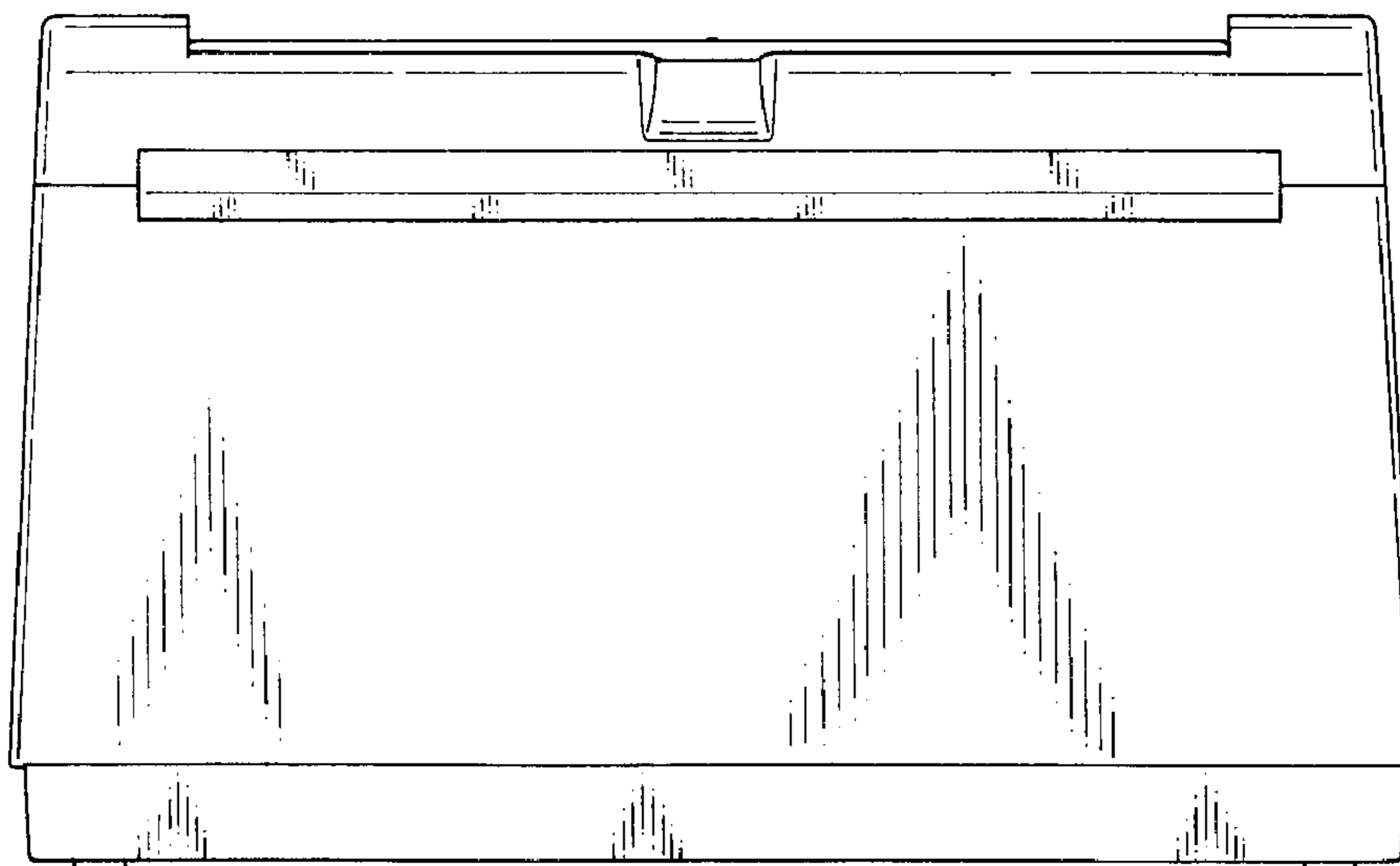


Fig.6

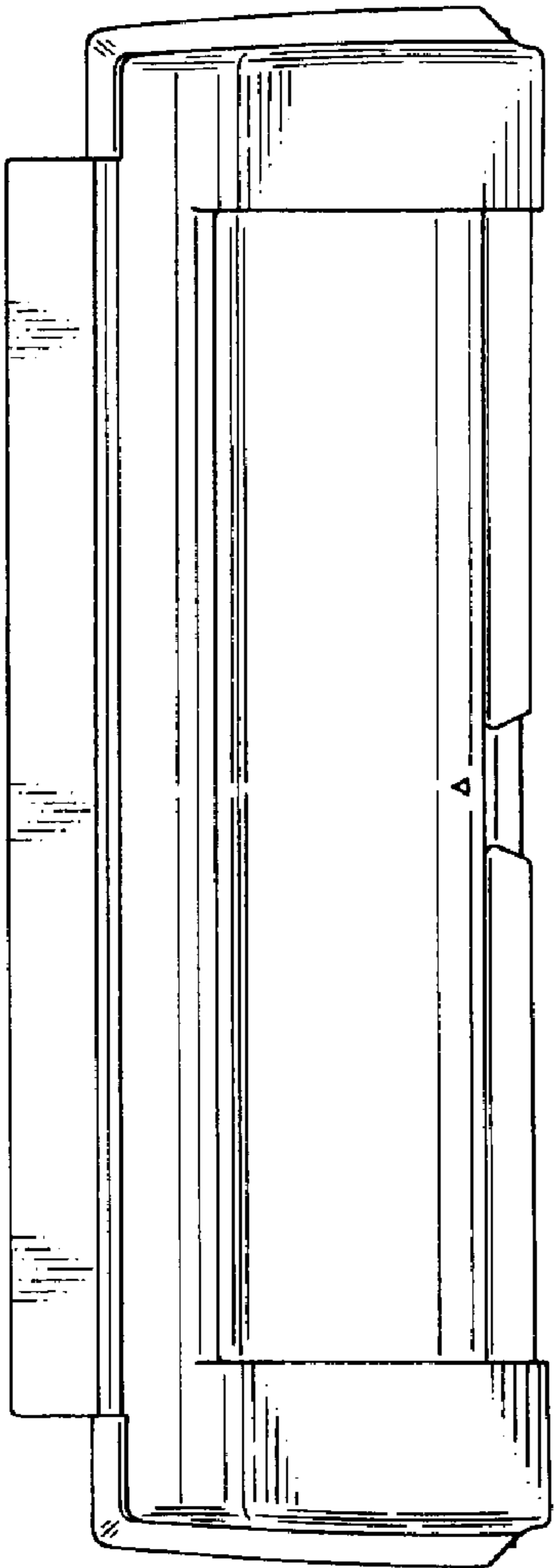


Fig.7

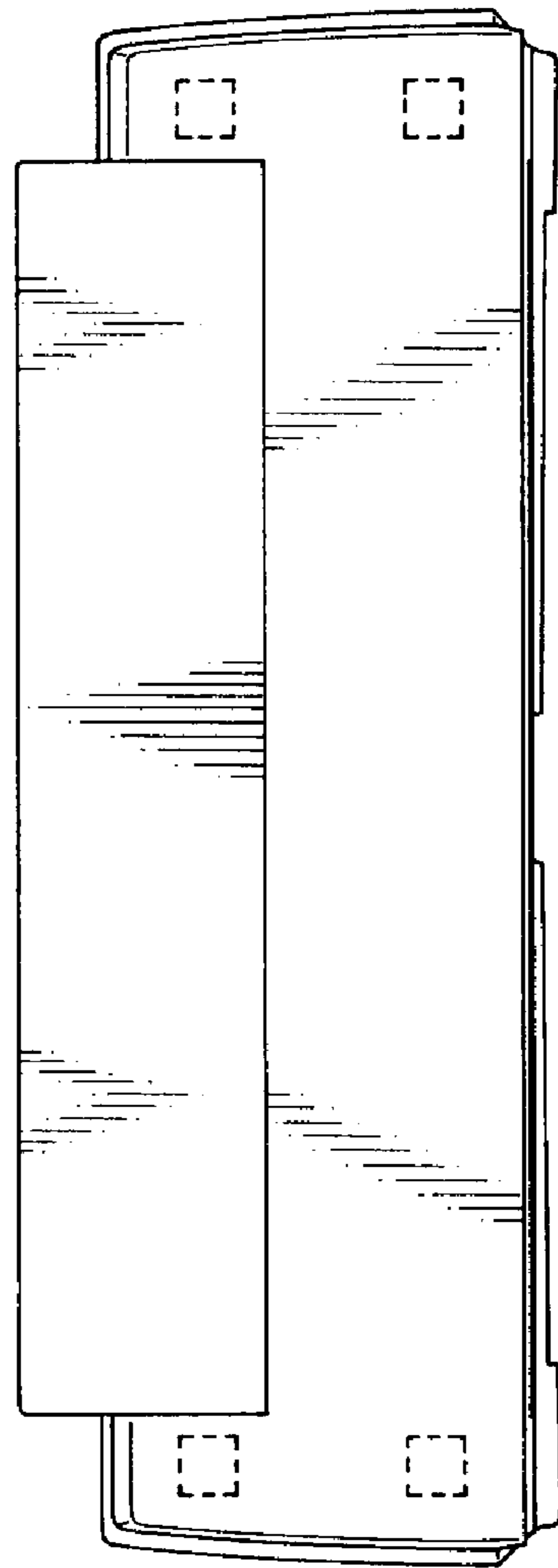


Fig. 8

