



US00D518505S

(12) **United States Design Patent**
Ohno

(10) **Patent No.:** **US D518,505 S**

(45) **Date of Patent:** **** Apr. 4, 2006**

(54) **AUTOMATIC PERFORMANCE
CONTROLLER FOR PIANO**

D244,215 S * 5/1977 Ross D14/217
5,578,782 A * 11/1996 Masubuchi 84/719
D383,482 S * 9/1997 Katsumata D17/99

(75) Inventor: **Masaharu Ohno**, Shizuoka (JP)

* cited by examiner

(73) Assignee: **Yamaha Corporation**, Shizuoka (JP)

Primary Examiner—Adir Aronovich

(**) Term: **14 Years**

(74) *Attorney, Agent, or Firm*—Sughrue Mion, PLLC

(21) Appl. No.: **29/206,144**

(57) **CLAIM**

(22) Filed: **May 27, 2004**

The ornamental design for an automatic performance controller for piano, as shown.

(30) **Foreign Application Priority Data**

Jan. 14, 2004 (JP) 2004-000702

DESCRIPTION

(51) **LOC (8) Cl.** **17-99**

FIG. 1 is a perspective view of the top, front and right side of an automatic performance controller for piano;

(52) **U.S. Cl.** **D17/99**

FIG. 2 is a front elevational view thereof;

(58) **Field of Classification Search** D14/217;

FIG. 3 is a rear elevational view thereof;

D17/20, 99; 84/454, 600, 626, 662, 711,
84/719, 723

FIG. 4 is a right side elevational view thereof;

See application file for complete search history.

FIG. 5 is a left side elevational view thereof;

(56) **References Cited**

FIG. 6 is a top plan view thereof; and,

U.S. PATENT DOCUMENTS

FIG. 7 is a bottom plan view thereof.

3,901,120 A * 8/1975 Youngquist 84/454

1 Claim, 5 Drawing Sheets

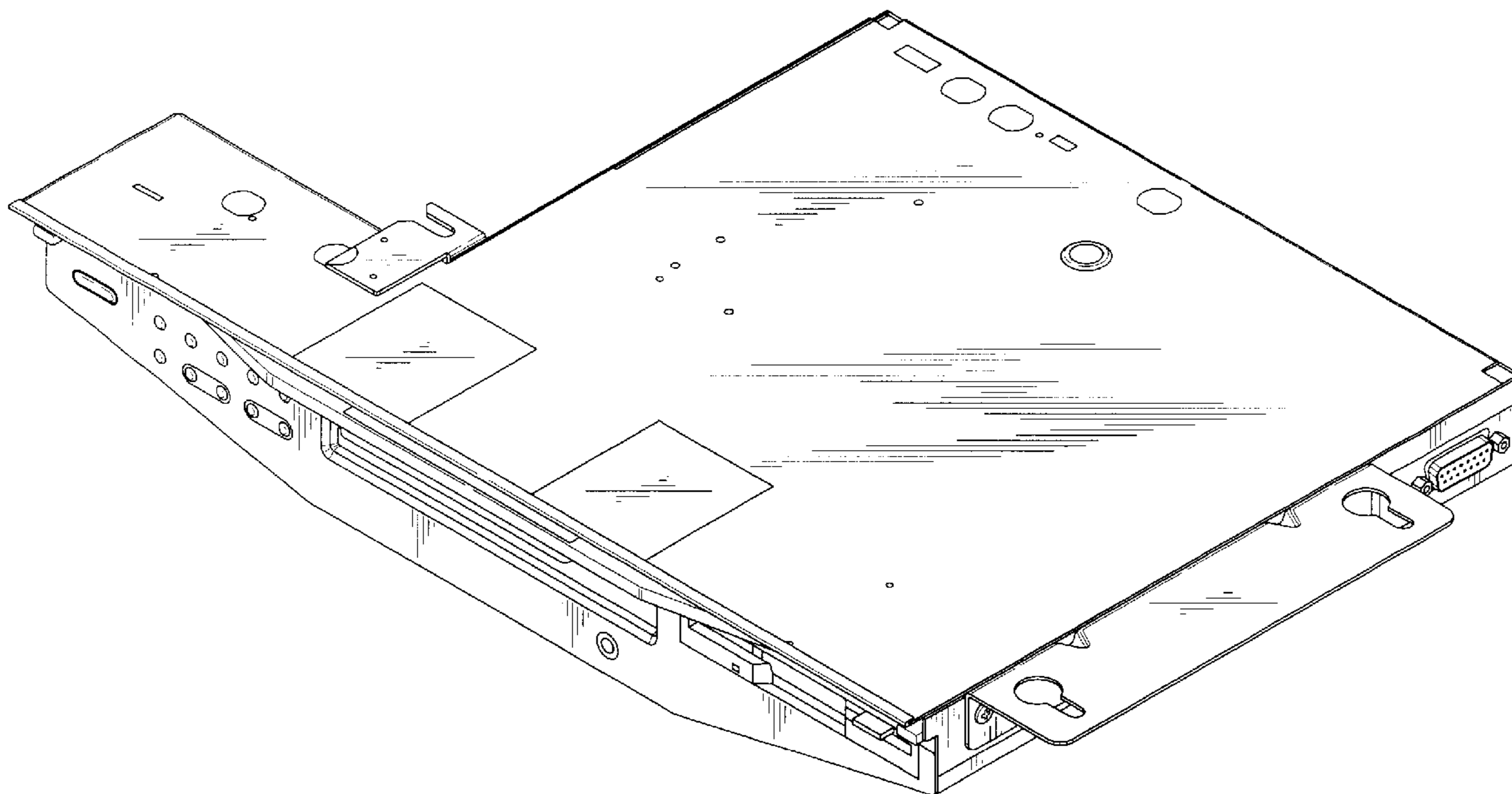


FIG. 1

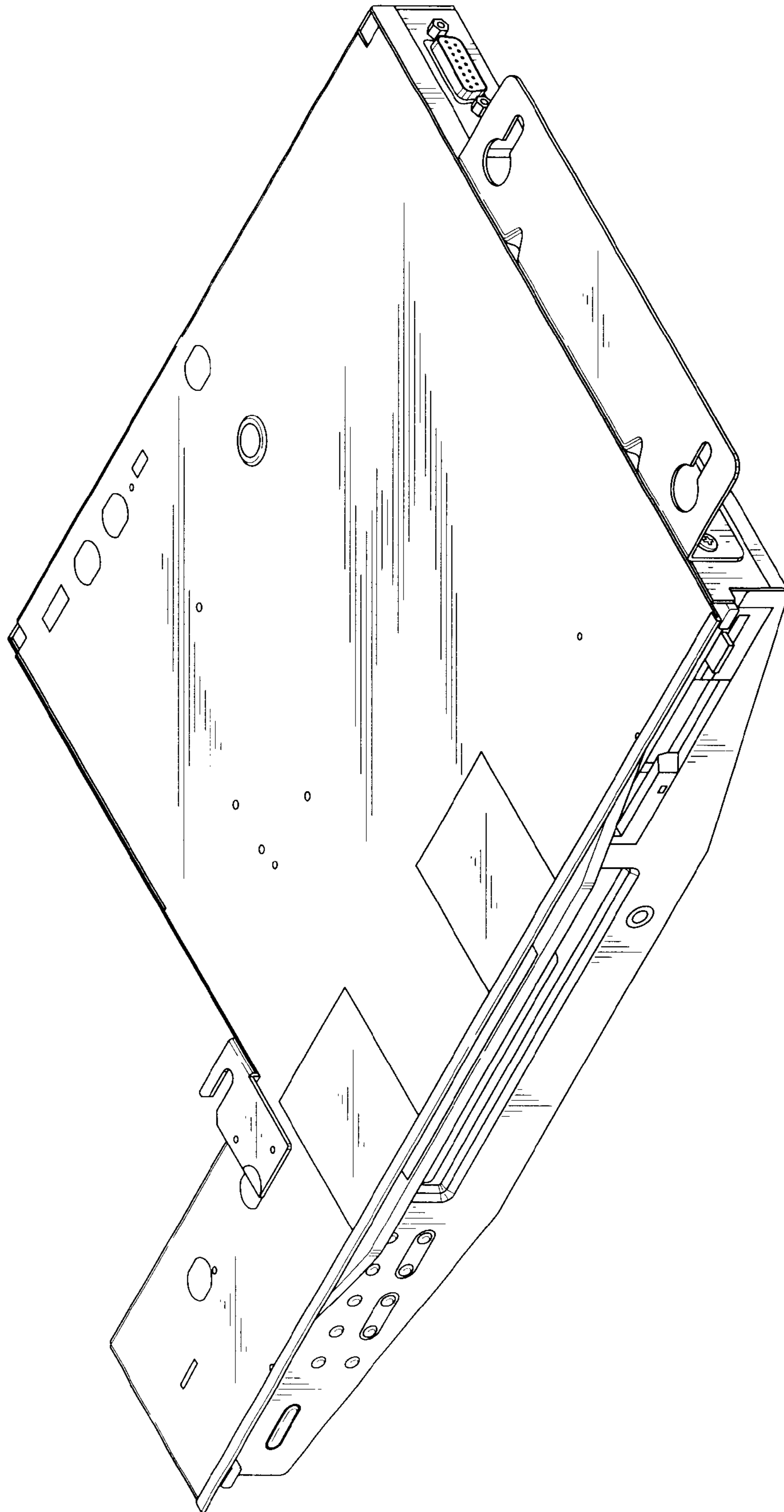


FIG. 2

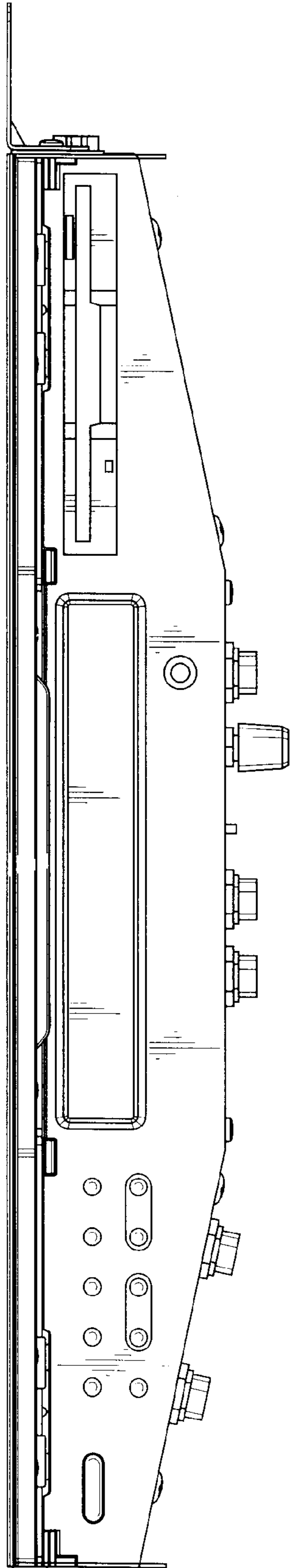


FIG. 3

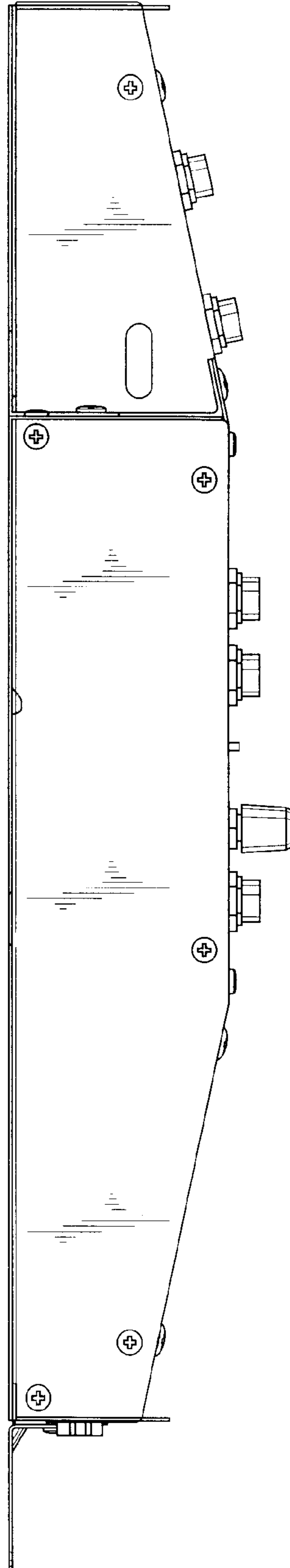


FIG. 4

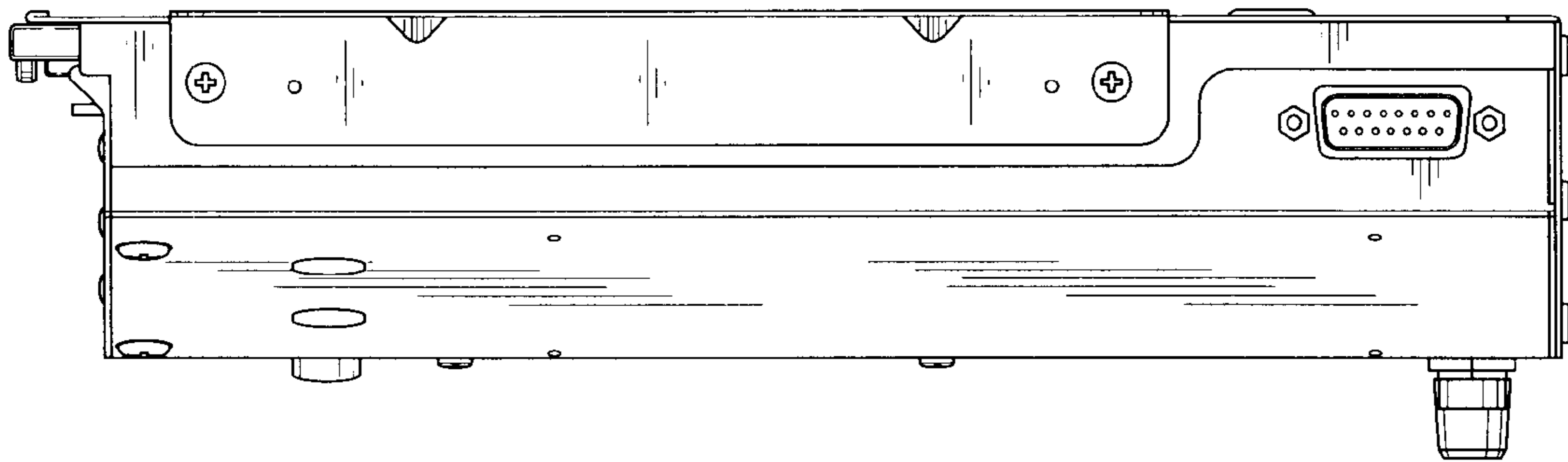


FIG. 5

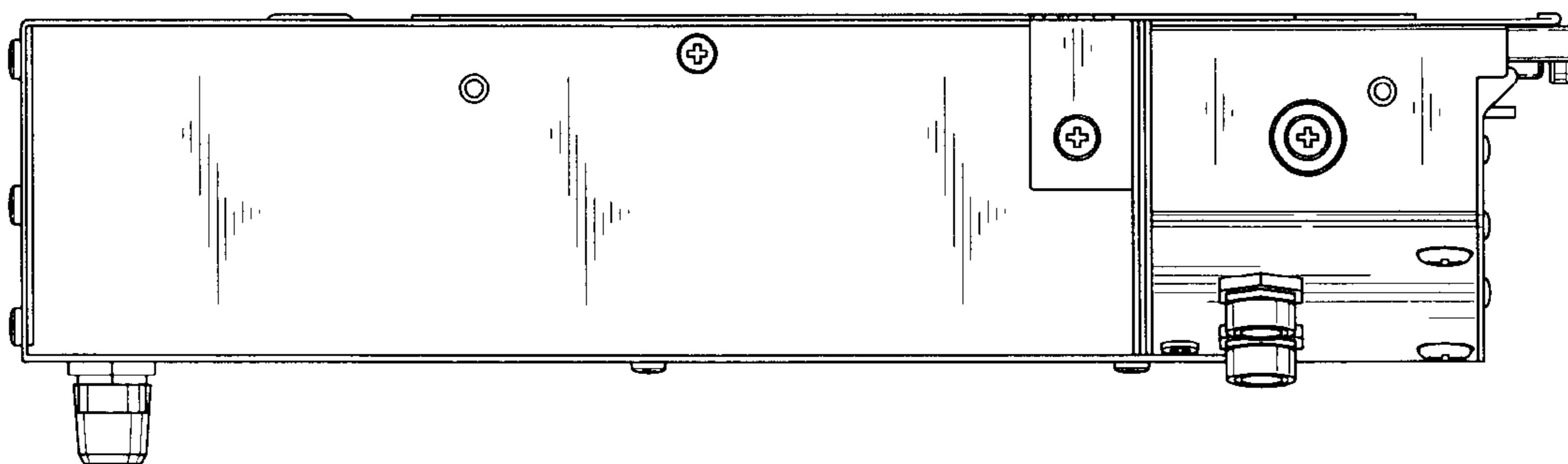


FIG. 6

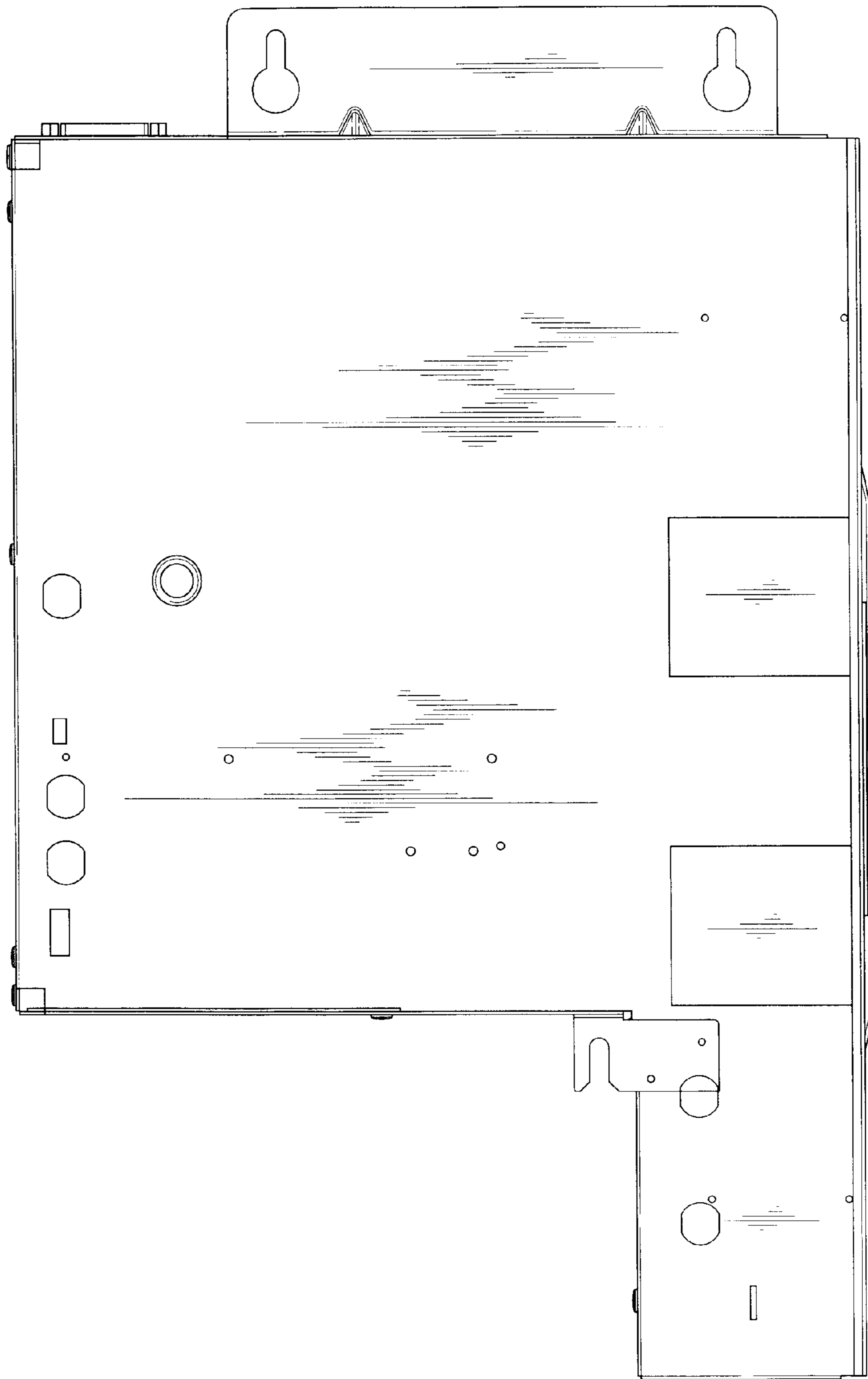


FIG. 7

