



US00D518499S

(12) **United States Design Patent** (10) **Patent No.:** **US D518,499 S**
Iue (45) **Date of Patent:** **** Apr. 4, 2006**

(54) **DIGITAL CAMERA**
(75) Inventor: **Hiroshi Iue**, Tokyo (JP)
(73) Assignee: **Olympus Corporation**, Tokyo (JP)
(**) Term: **14 Years**
(21) Appl. No.: **29/216,426**
(22) Filed: **Nov. 2, 2004**

D494,205 S * 8/2004 Kawase D16/219
D494,612 S 8/2004 Yang et al. D16/202
D495,351 S 8/2004 Yi D16/202
D501,497 S * 2/2005 Hayamizu D16/219
2002/0081115 A1 6/2002 Suzuki et al. 396/429

* cited by examiner

Primary Examiner—Adir Aronovich
(74) *Attorney, Agent, or Firm*—Hogan & Hartson, LLP

(57) **CLAIM**

The ornamental design for a digital camera, as shown and described.

Related U.S. Application Data

(62) Division of application No. 29/195,136, filed on Dec. 4, 2003, now Pat. No. Des. 500,775.

(30) **Foreign Application Priority Data**

Sep. 29, 2003 (JP) 2003-28343
Sep. 29, 2003 (JP) 2003-28344

(51) **LOC (8) Cl.** **16-01**

(52) **U.S. Cl.** **D16/219; D16/202**

(58) **Field of Classification Search** D16/200–205,
D16/208, 218, 219; 348/373–376; 358/906,
358/909.1; 396/535–541

See application file for complete search history.

(56) **References Cited**

U.S. PATENT DOCUMENTS

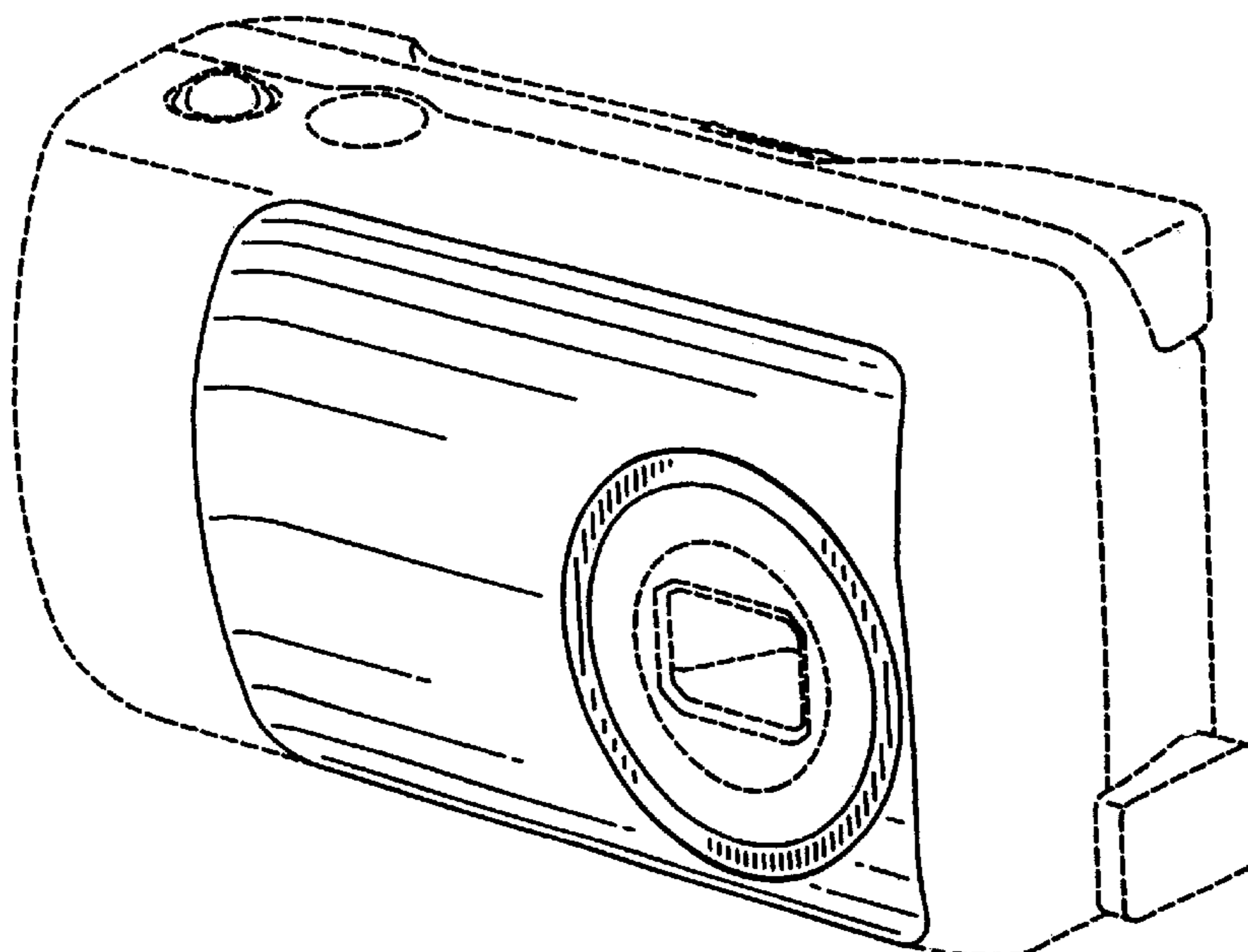
D451,527 S * 12/2001 Suzuki et al. D16/219
D477,832 S * 7/2003 Suzuki D16/218
D482,054 S 11/2003 Nasu D16/202
D482,714 S * 11/2003 Komatsu D16/219
D485,288 S 1/2004 Watarai D16/212
D491,970 S 6/2004 Ikenaga D16/218

DESCRIPTION

FIG. 1 is a perspective view of a second embodiment of the digital camera;
FIG. 2 is a front elevational view thereof;
FIG. 3 is a top plan view thereof;
FIG. 4 is a bottom plan view thereof;
FIG. 5 is a right side elevational view thereof;
FIG. 6 is a left side elevational view thereof;
FIG. 7 is a rear elevational view thereof;
FIG. 8 is a top plan view thereof with the lens barrel in an extended state;
FIG. 9 is a front elevational view thereof with the lens barrel in an extended state; and,
FIG. 10 is a right side elevational view thereof with the lens barrel in an extended state.

The portions of the digital camera in broken lines are shown for illustrative purposes only and form no part of the claimed design.

1 Claim, 5 Drawing Sheets



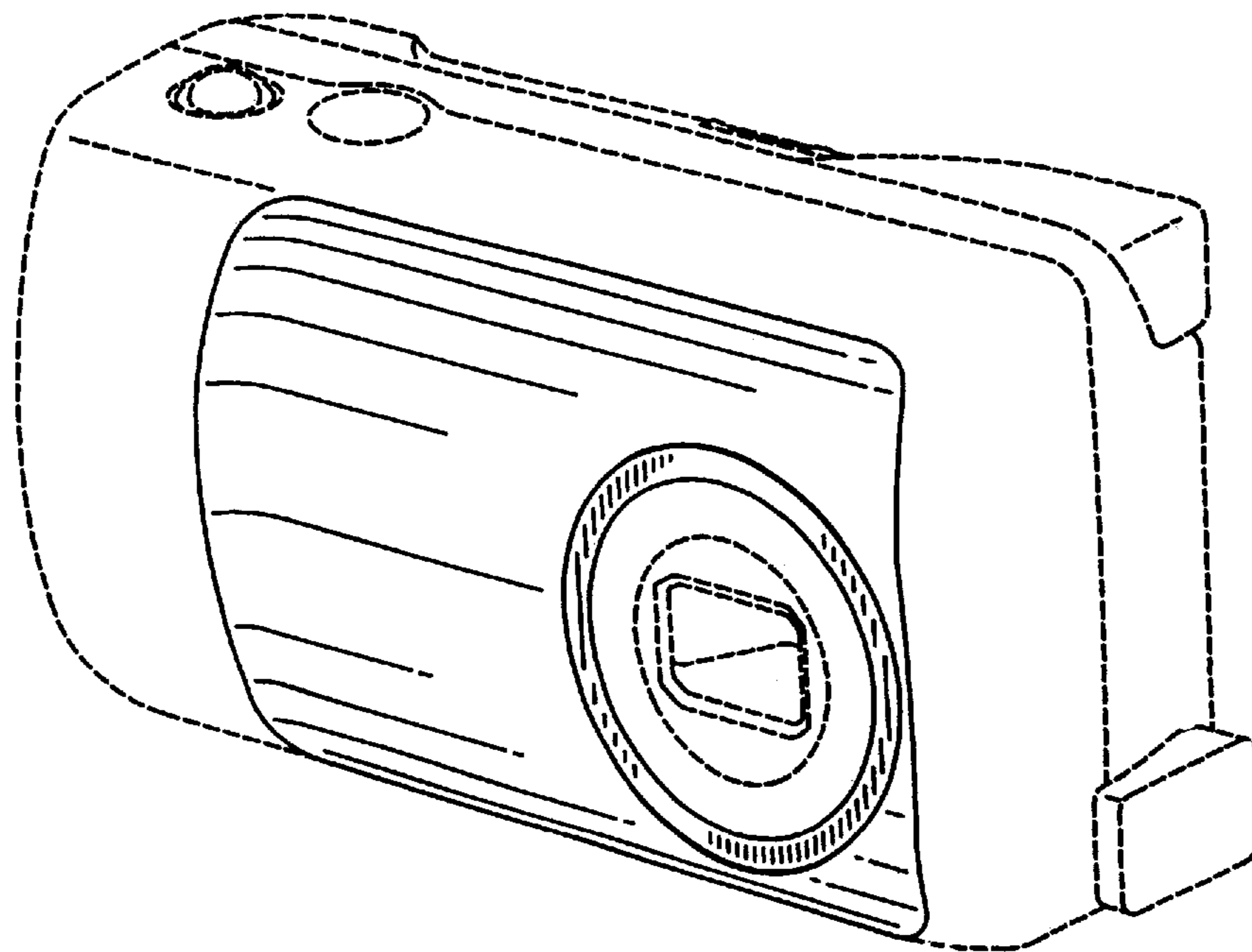


FIG. 1

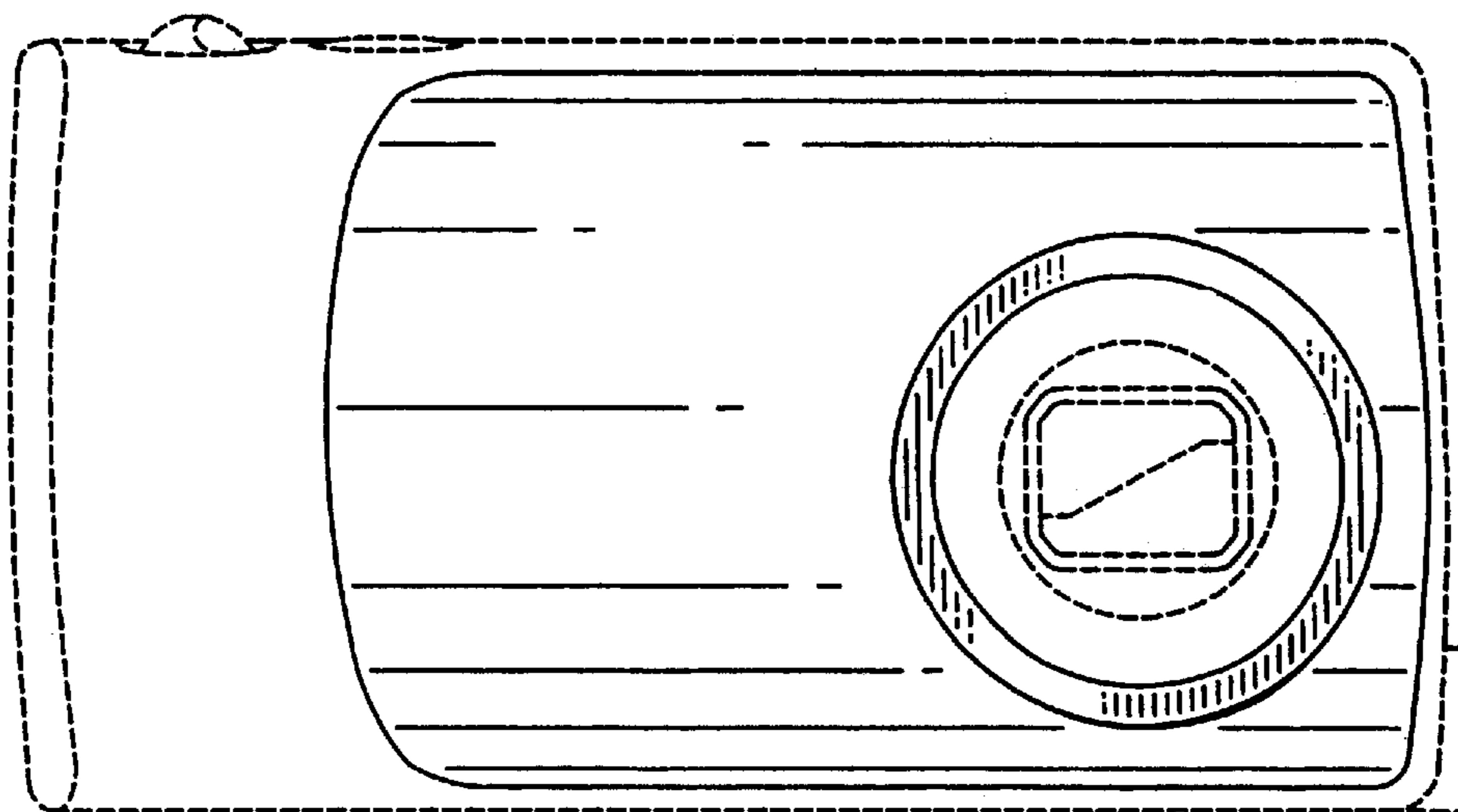


FIG. 2

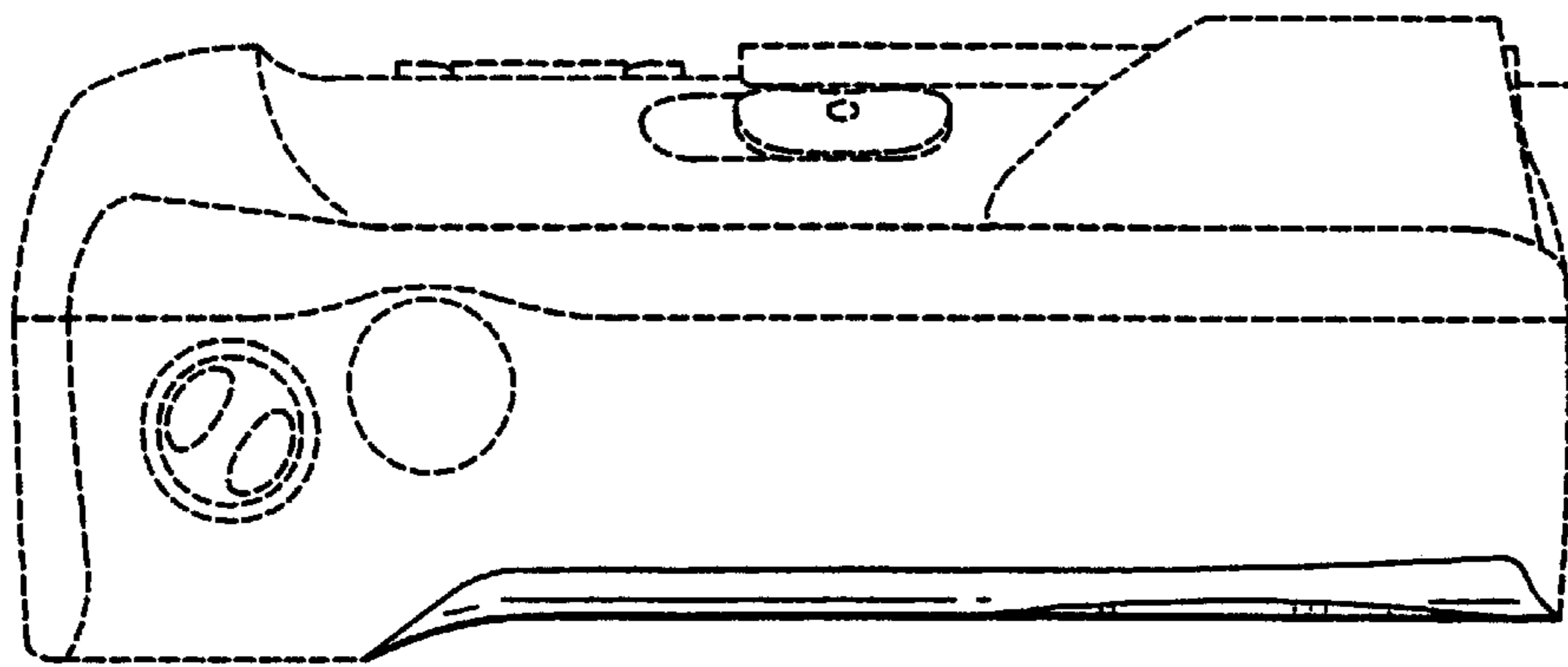


FIG. 3

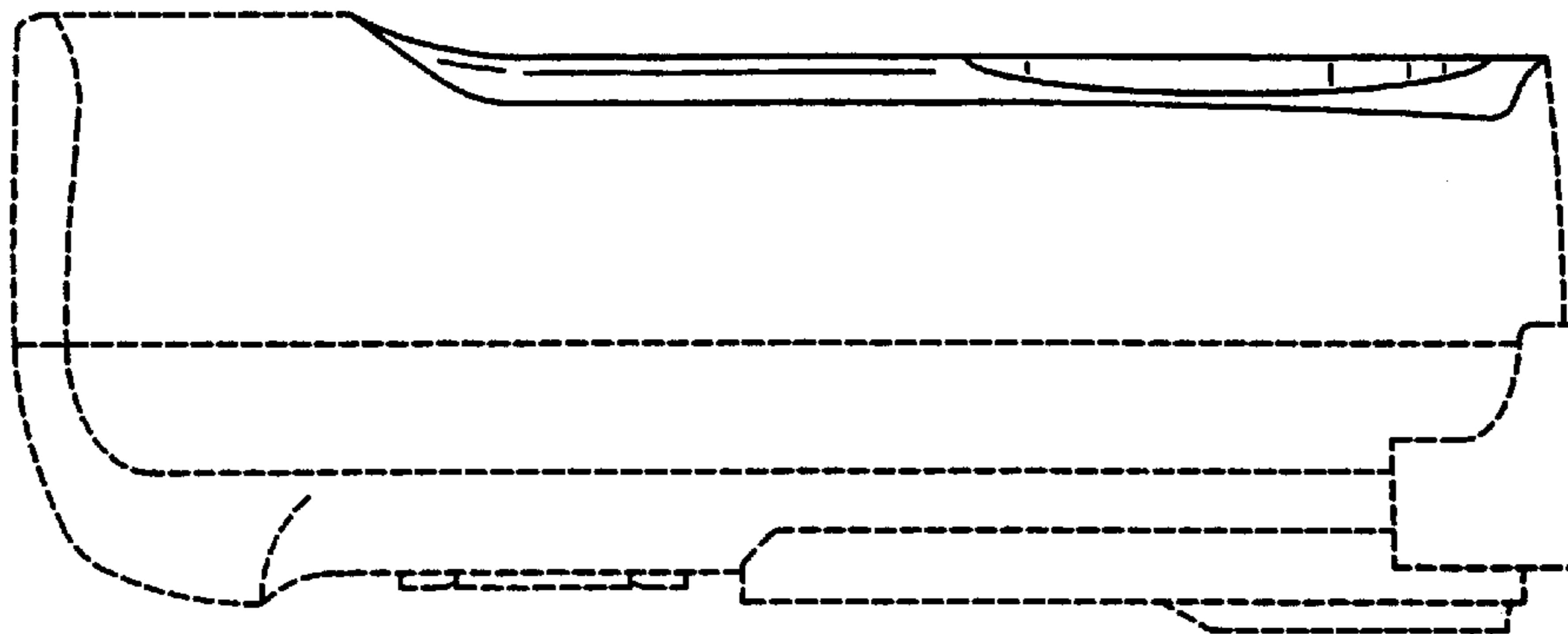


FIG. 4

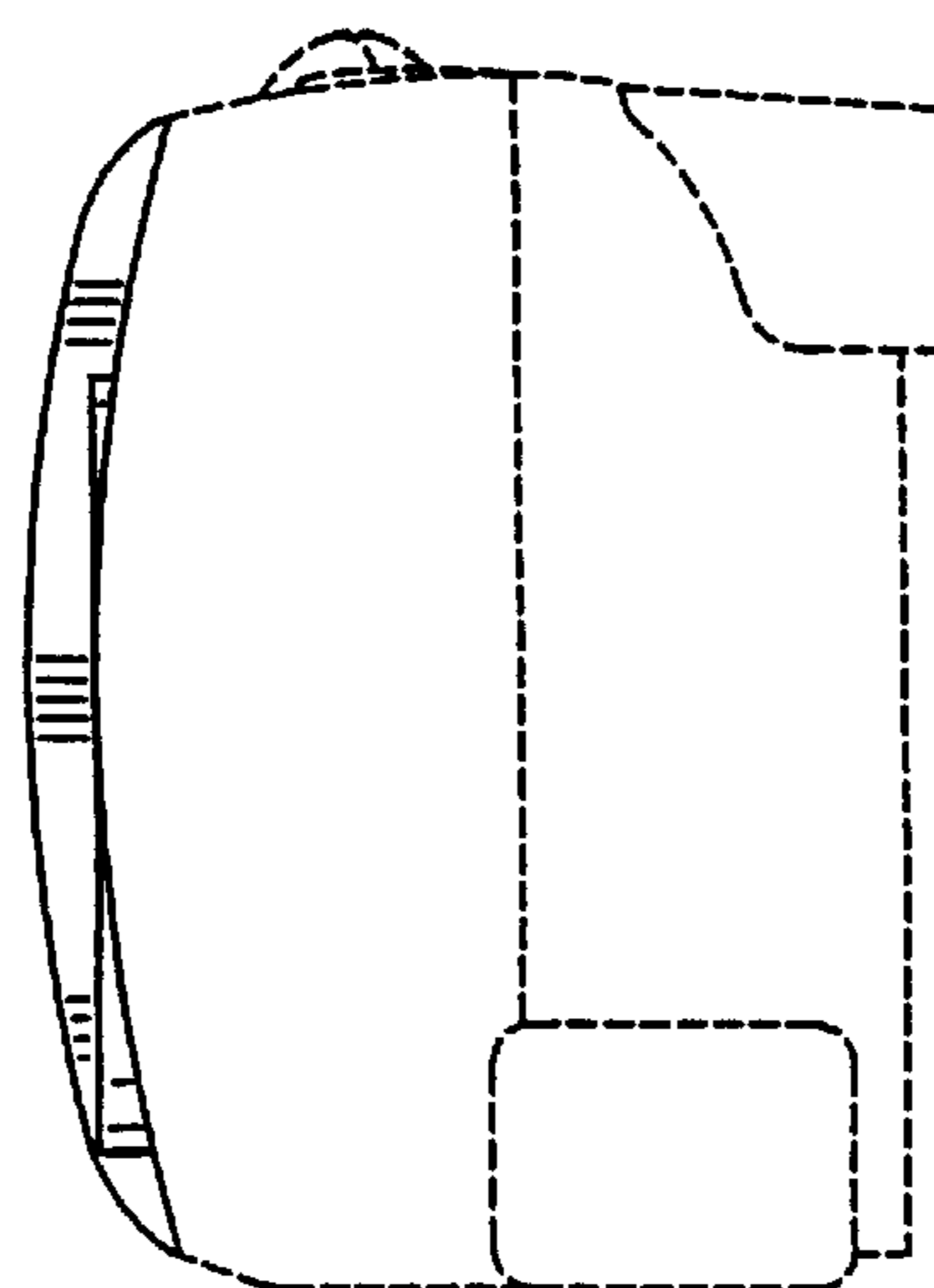


FIG. 5

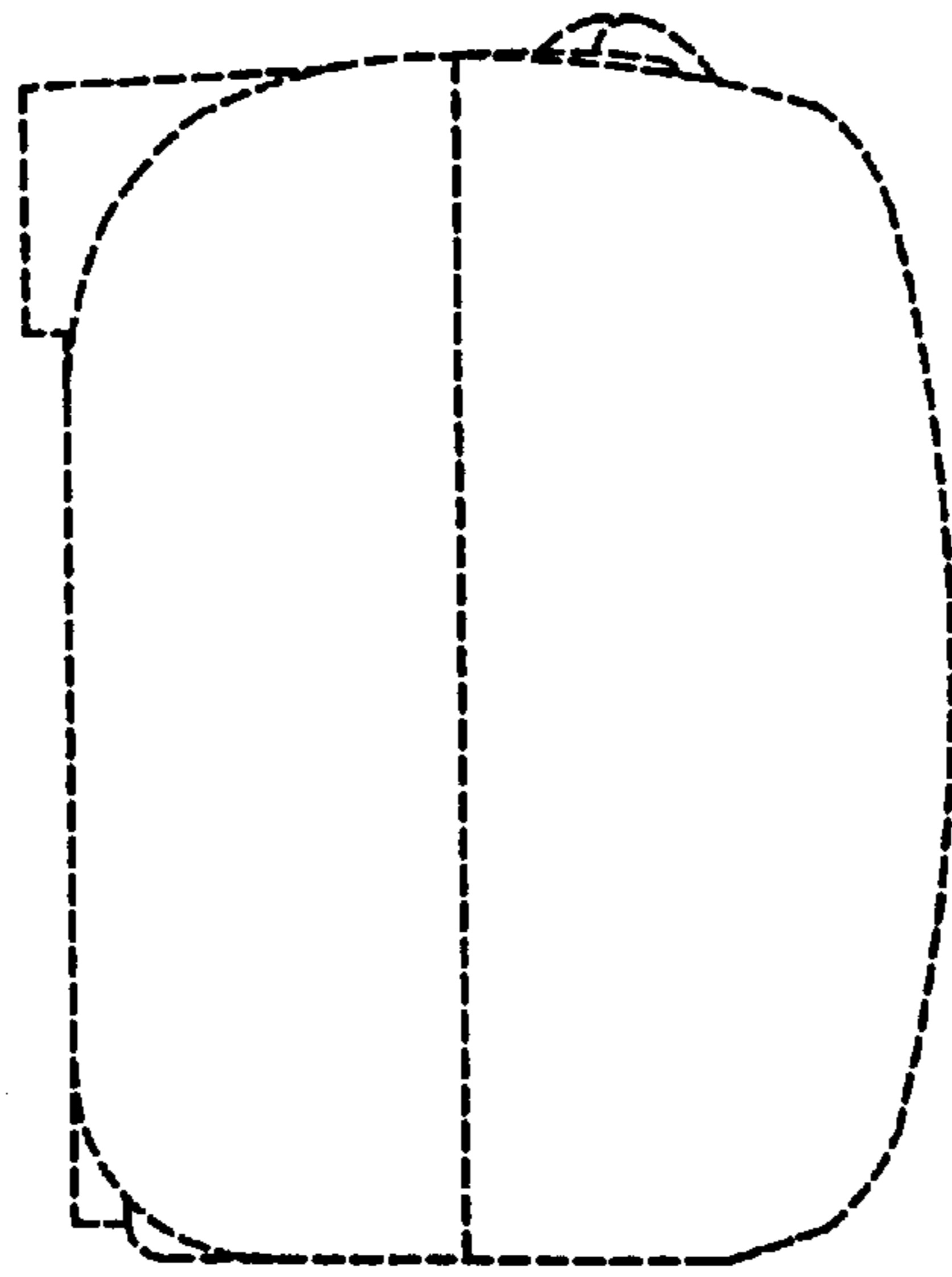


FIG. 6

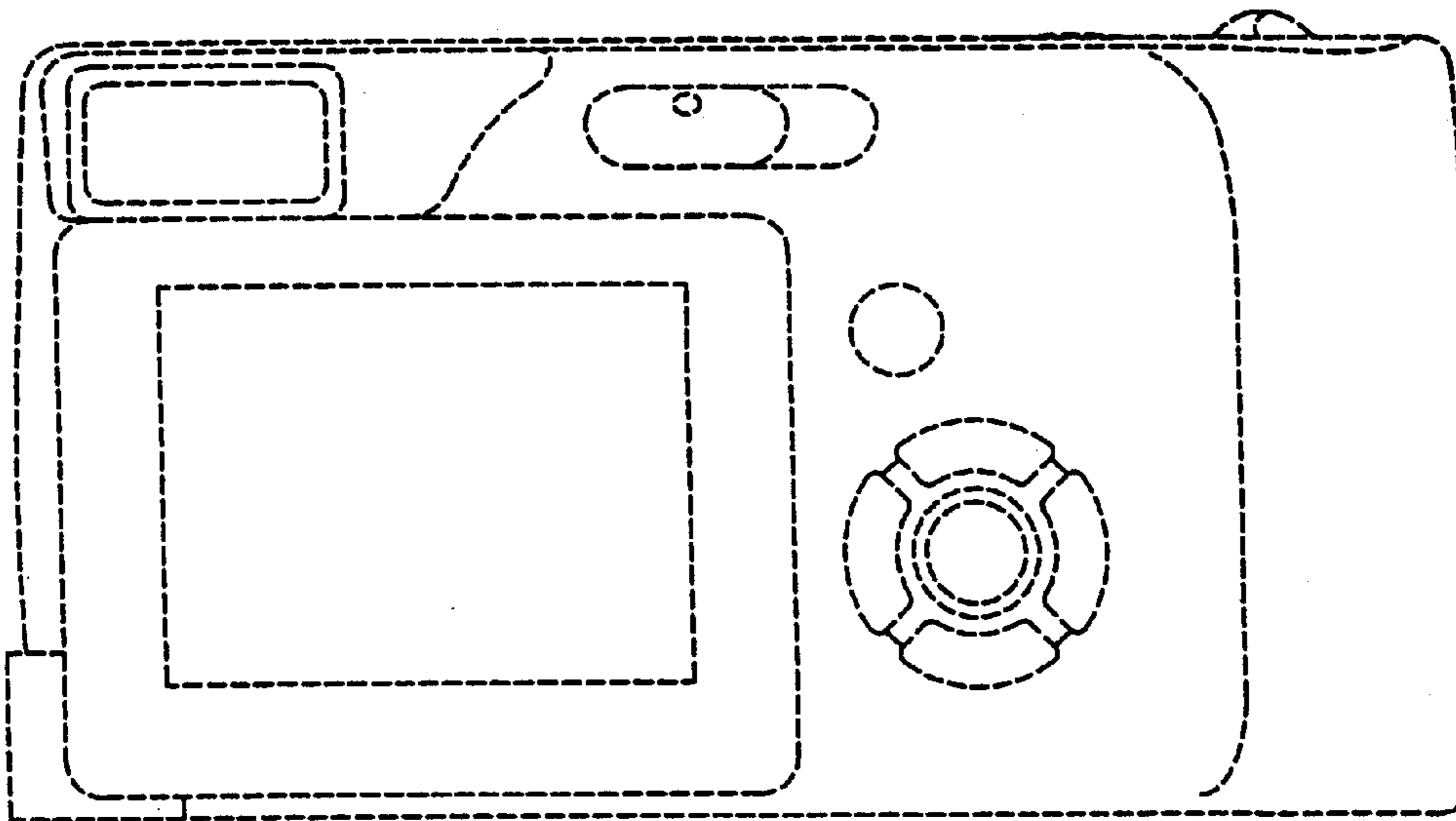


FIG. 7

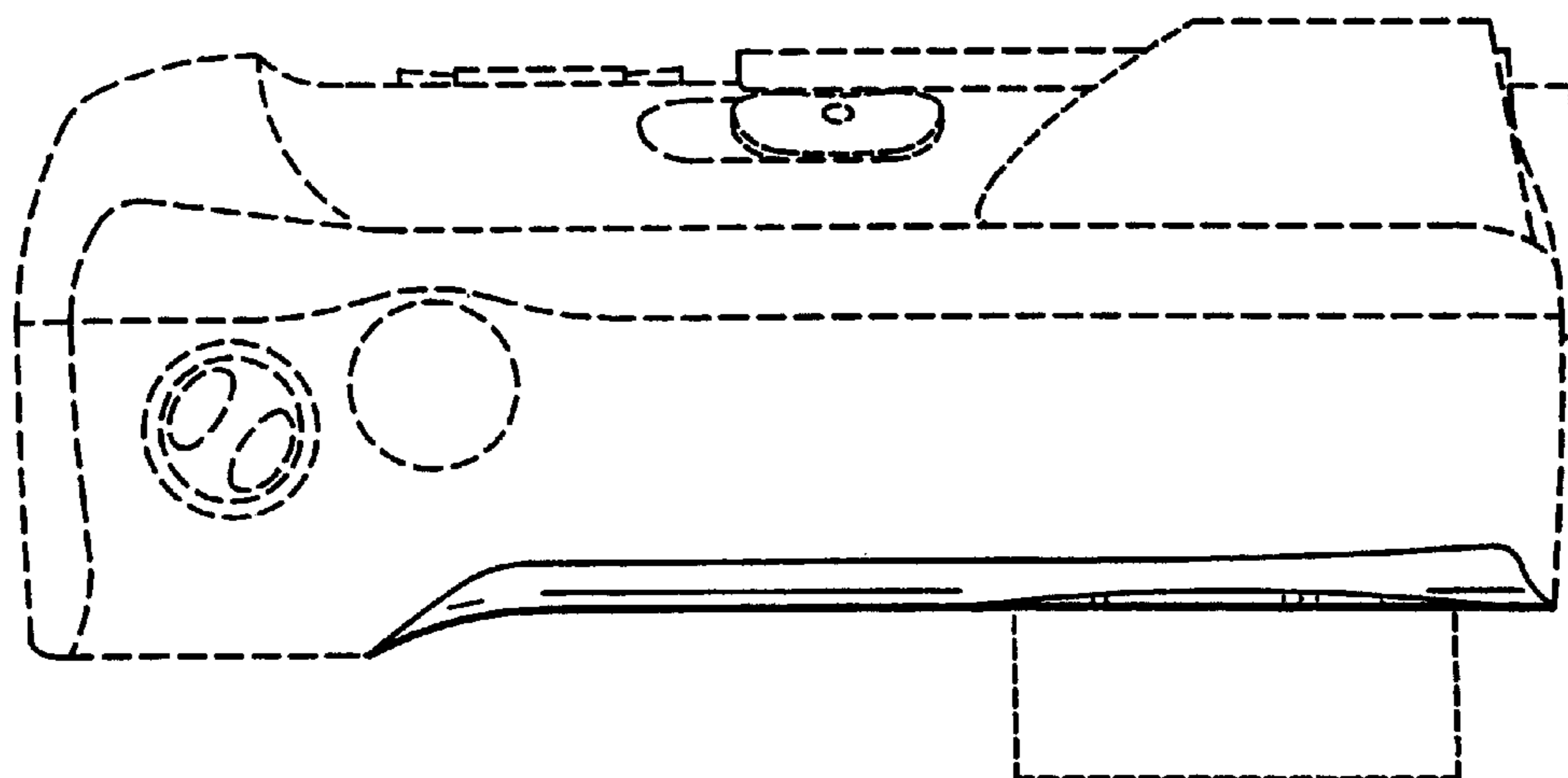


FIG. 8

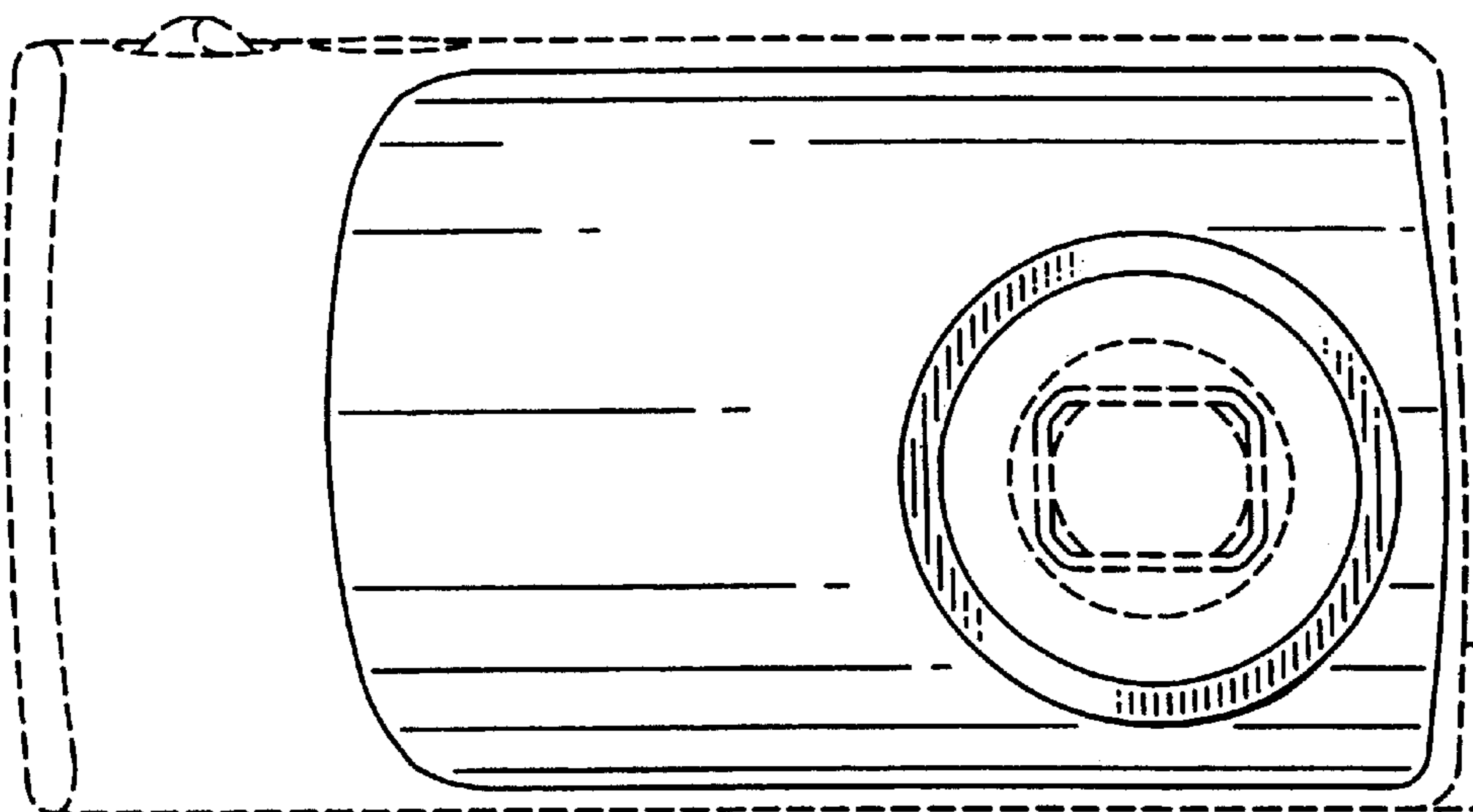


FIG. 9

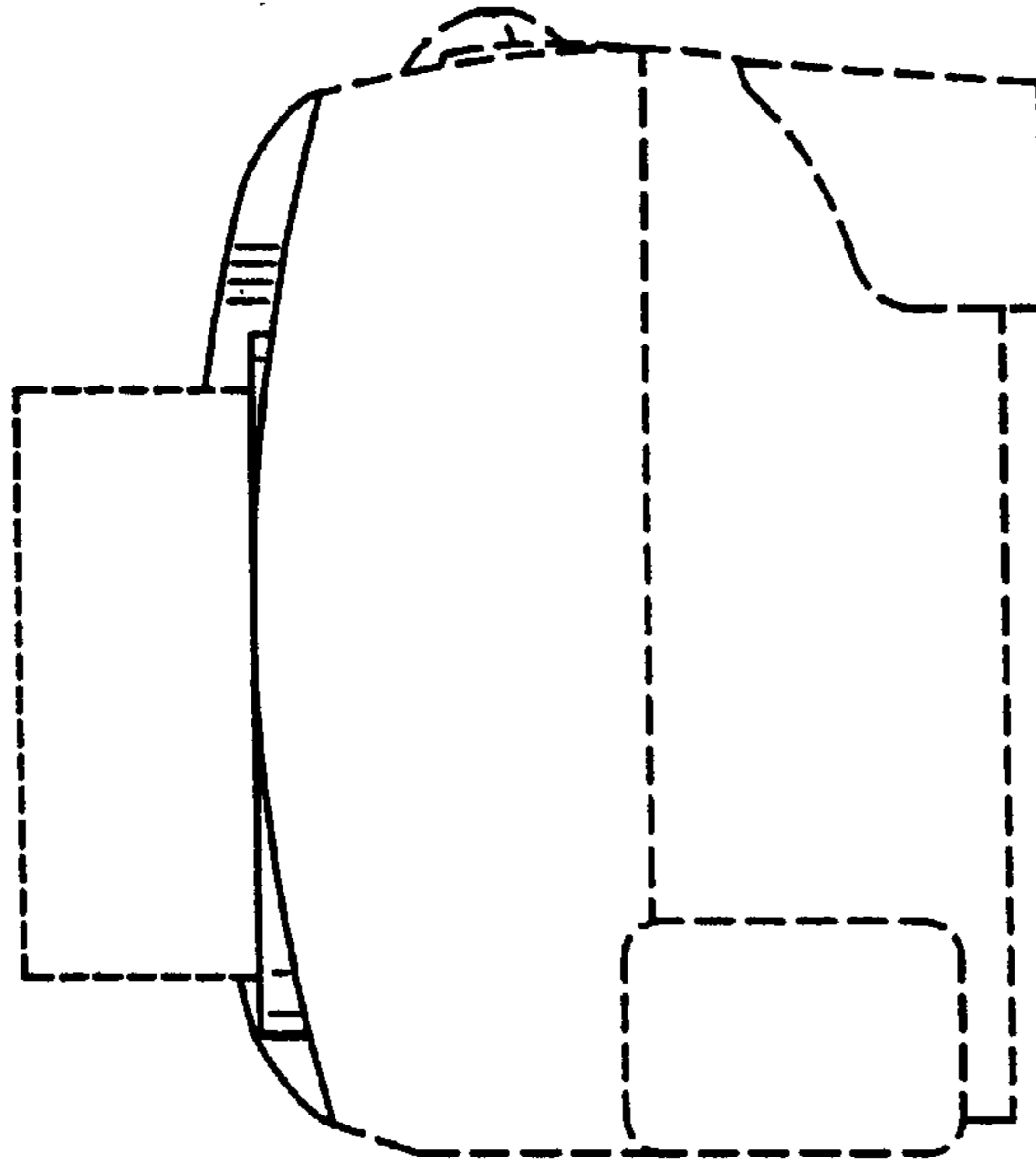


FIG. 10