



US00D518497S

(12) **United States Design Patent**
Muraoka et al.

(10) **Patent No.:** **US D518,497 S**

(45) **Date of Patent:** **** Apr. 4, 2006**

(54) **PRINTING PLATE PRODUCING MACHINE**

(56) **References Cited**

(75) Inventors: **Masayuki Muraoka**, Tokyo (JP);
Katsushi Fujita, Tokyo (JP); **Kenji**
Matsumoto, Tokyo (JP); **Hirohisa**
Tanaka, Kyoto (JP); **Takanori Tsuji**,
Kyoto (JP)

U.S. PATENT DOCUMENTS

4,044,385 A * 8/1977 Nishimura et al. 358/300
5,989,780 A * 11/1999 Strong 430/300
6,886,825 B1 * 5/2005 Graf et al. 271/4.01

* cited by examiner

(73) Assignees: **Konica Minolta Medical & Graphic,**
Inc., Tokyo (JP); **Dainippon Screen**
Mfg. Co., Ltd., Kyoto (JP)

Primary Examiner—Antoine D. Davis

(74) *Attorney, Agent, or Firm*—Buchanan Ingersoll PC

(**) Term: **14 Years**

(57) **CLAIM**

(21) Appl. No.: **29/201,581**

The ornamental design for a printing plate producing machine, as shown and described.

(22) Filed: **Mar. 18, 2004**

DESCRIPTION

(30) **Foreign Application Priority Data**

Sep. 19, 2003 (JP) 2003-027543

FIG. 1 is a front, top perspective view of a printing plate producing machine showing our new design.

FIG. 2 is a front elevational view thereof.

FIG. 3 is a rear elevational view thereof.

FIG. 4 is a right side elevational view thereof.

FIG. 5 is a left side elevational view thereof.

FIG. 6 is a top plan view thereof;and,

FIG. 7 is a bottom plan view thereof.

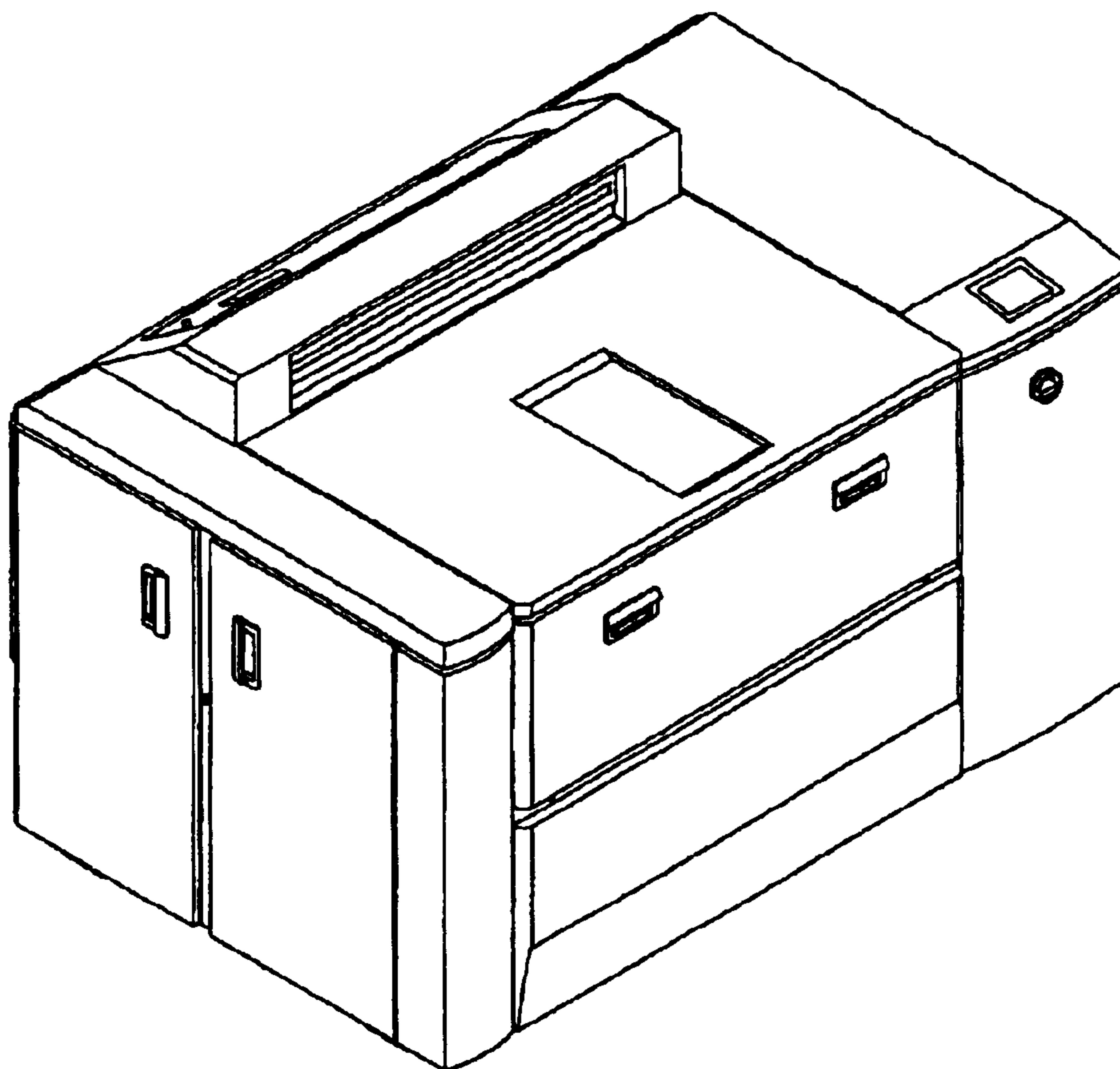
(51) **LOC (8) Cl.** **15-09**

(52) **U.S. Cl.** **D15/199; D15/122**

(58) **Field of Classification Search** D15/122,
D15/199; 271/4.01, 5, 10.01; 347/129, 138;
358/300; 427/379, 385.5, 407.1; 430/269,
430/271.1, 273.1, 292, 300, 302, 303, 309,
430/944, 945, 306

See application file for complete search history.

1 Claim, 4 Drawing Sheets



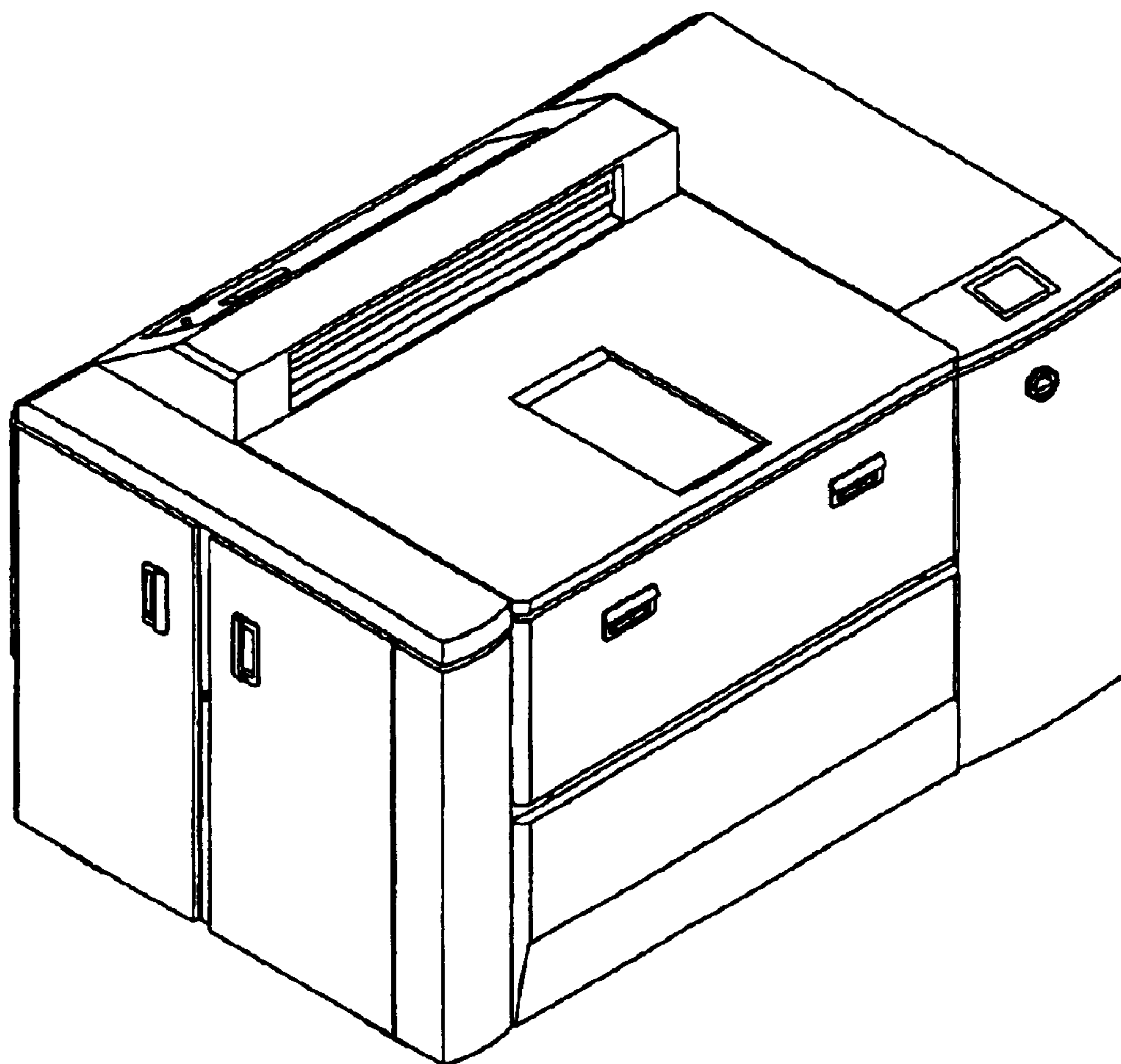


FIG. 1

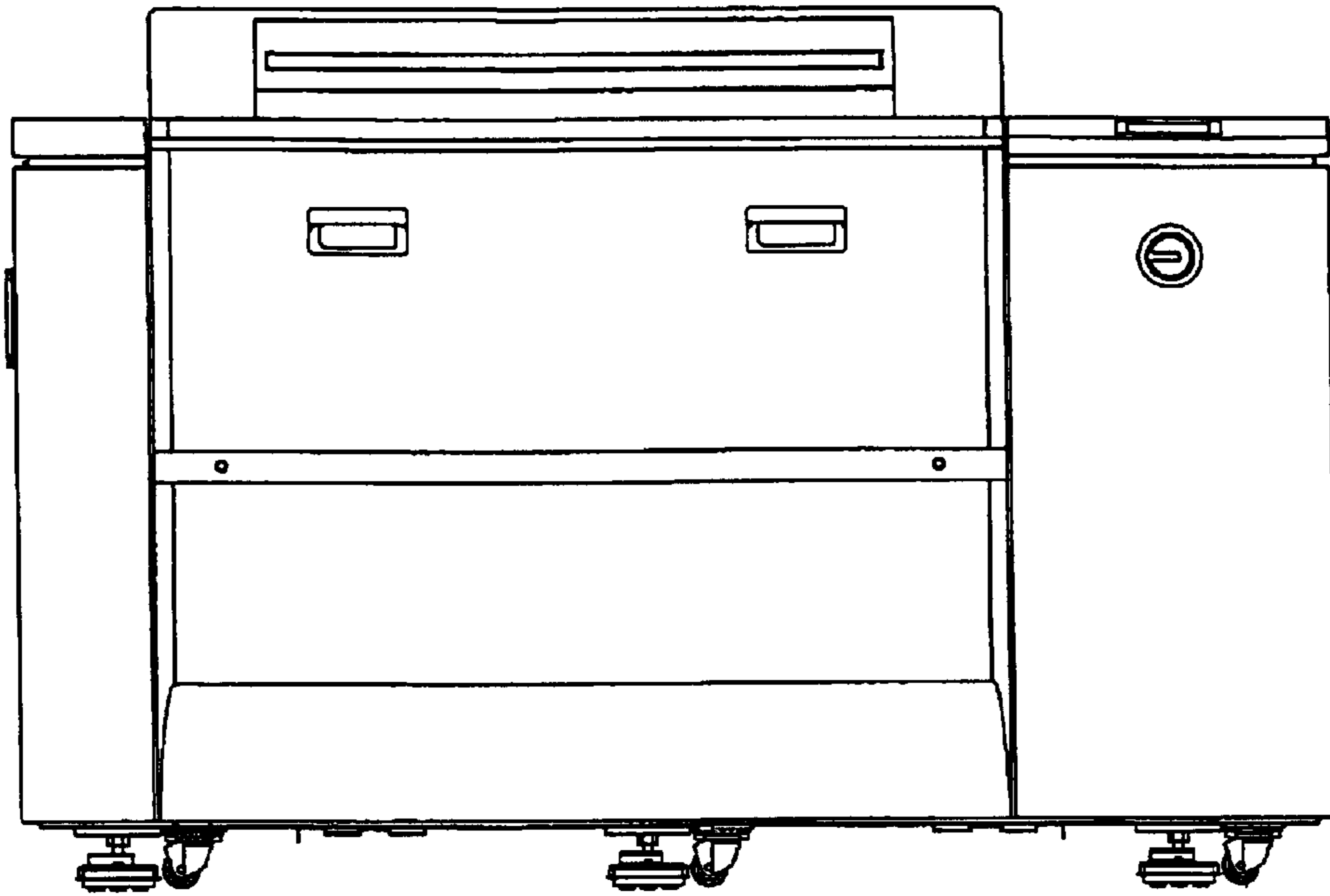


FIG. 2

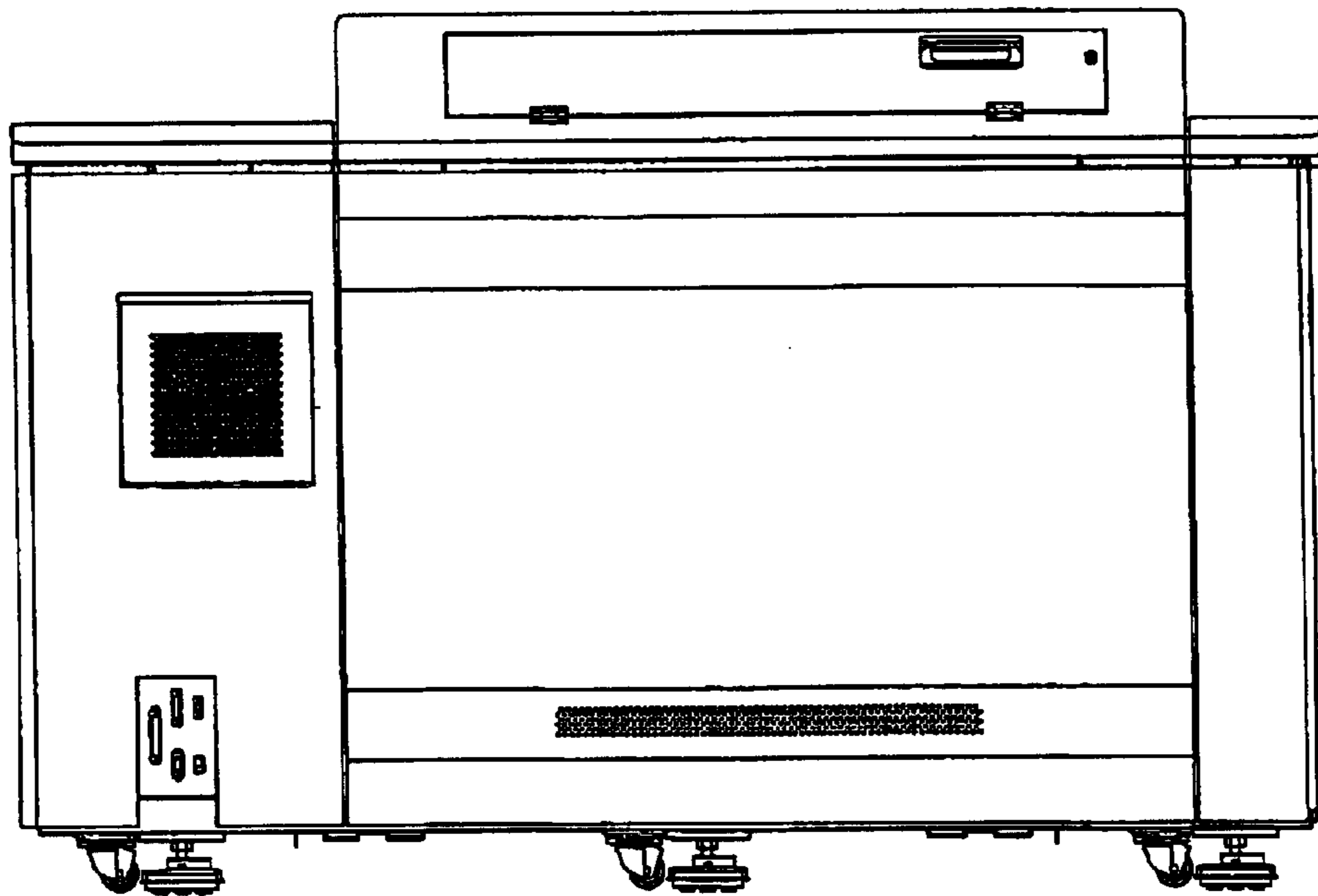


FIG. 3

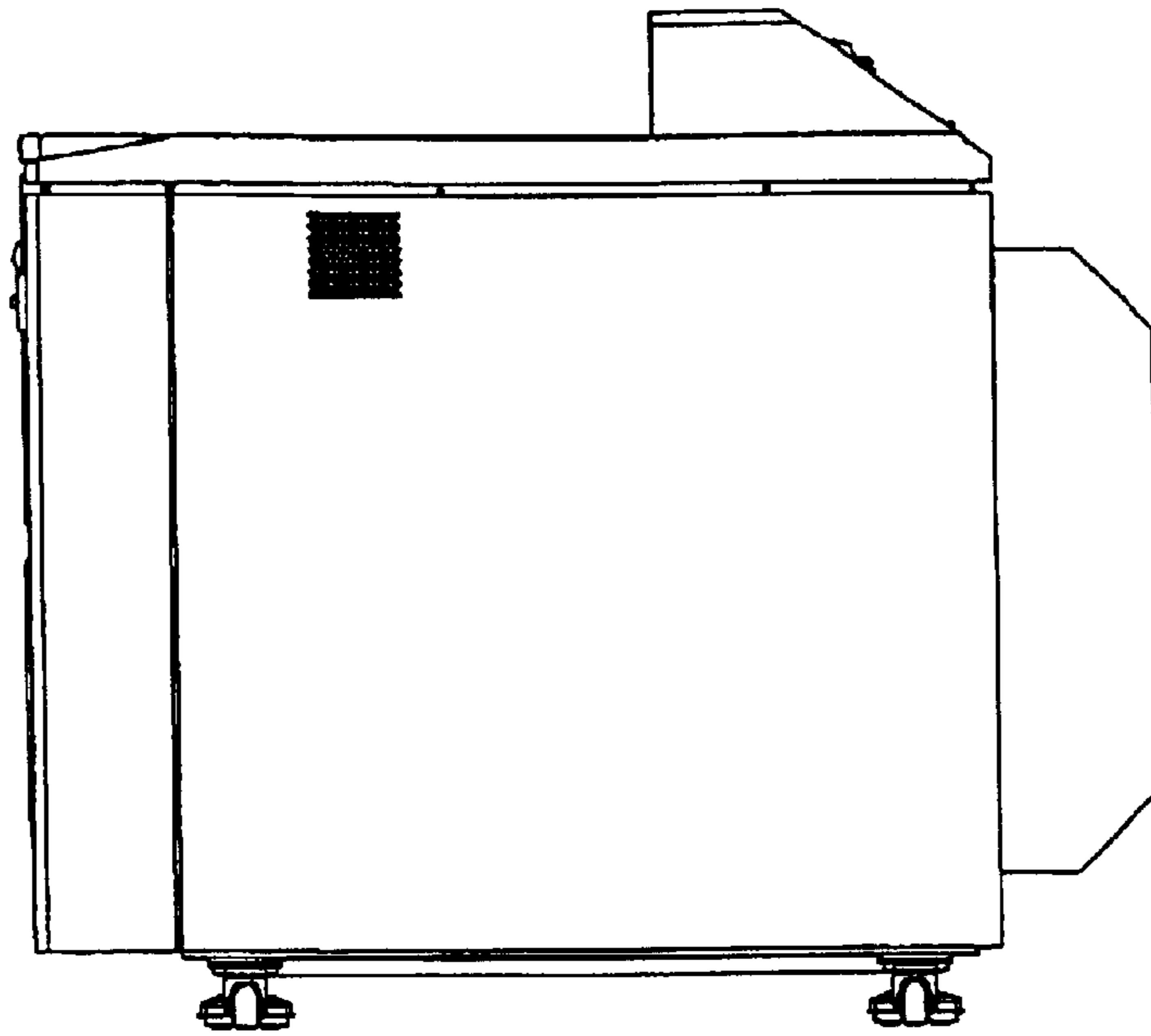


FIG. 4

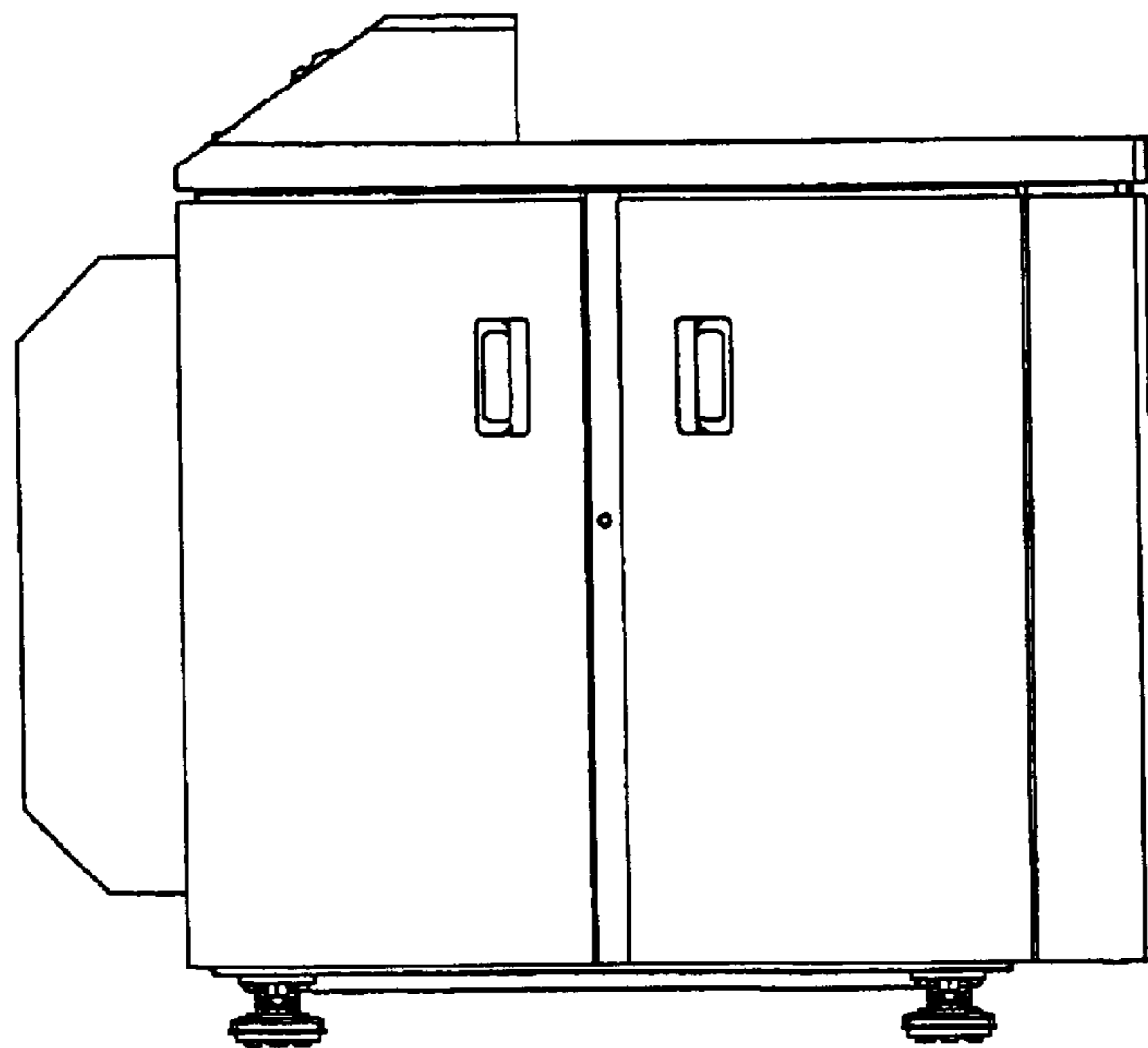


FIG. 5

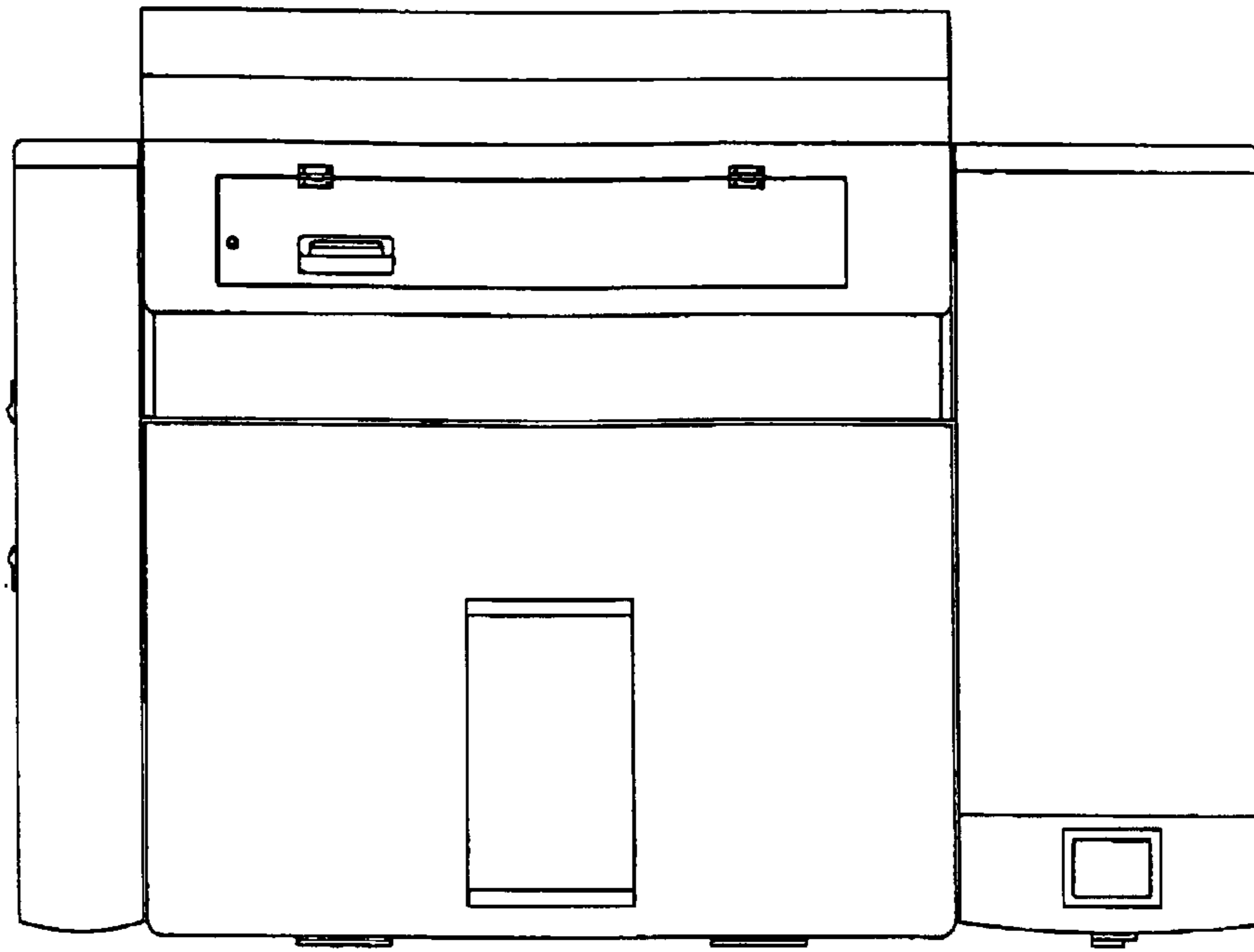


FIG. 6

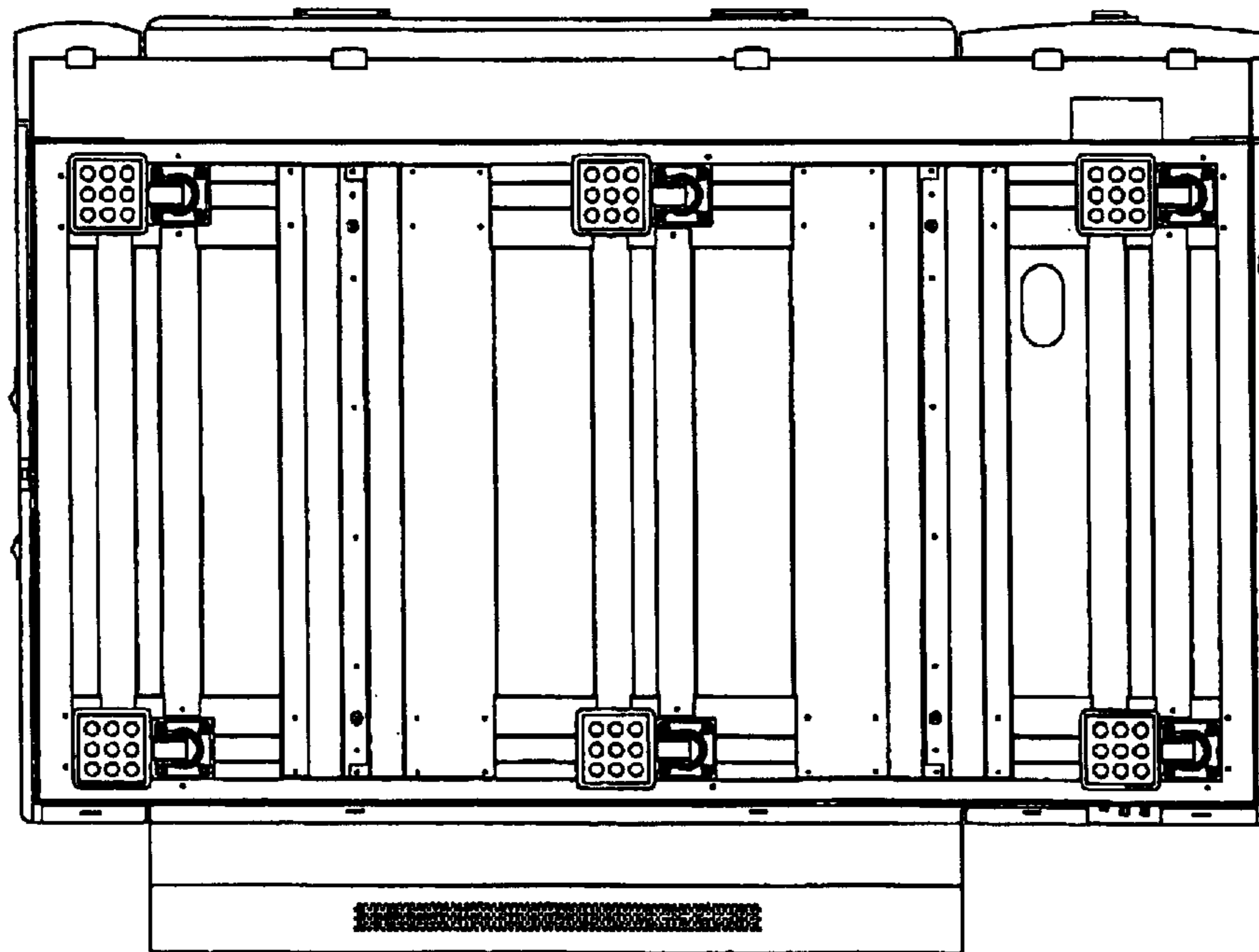


FIG. 7