

US00D518496S

(12) **United States Design Patent** (10) **Patent No.:** **US D518,496 S**
Doyle (45) **Date of Patent:** **** Apr. 4, 2006**

(54) **STOP BLOCK FOR A WIRE TYING MACHINE**

(75) Inventor: **David Doyle**, Aberdeen, WA (US)

(73) Assignee: **Enterprise International, Inc.**,
Hoquiam, WA (US)

(**) Term: **14 Years**

(21) Appl. No.: **29/192,736**

(22) Filed: **Oct. 29, 2003**

(51) **LOC (8) Cl.** **15-09**

(52) **U.S. Cl.** **D15/145**

(58) **Field of Classification Search** D15/145;
53/154, 168, 411; 377/6; 221/2; 100/33 R,
100/26; 140/93 A, 118, 119, 124

See application file for complete search history.

(56) **References Cited**

U.S. PATENT DOCUMENTS

3,722,553	A	*	3/1973	Bartilson	140/93	A
5,337,919	A	*	8/1994	Spaulding et al.	221/2	
5,774,518	A	*	6/1998	Kirby	377/6	
5,870,950	A	*	2/1999	Wiedel	100/33	R
6,263,639	B1	*	7/2001	Kim	53/154	
6,377,648	B1	*	4/2002	Culbert	377/6	
6,584,891	B1		7/2003	Smith et al.	100/26	
6,668,870	B1	*	12/2003	Rossum et al.	140/118	

OTHER PUBLICATIONS

Lian Chang Casting Inc, Display Ad, Taiwan Hardware Magazine, Mar. 2004, Taiwan Business Media, p. H-64.*
Good Worth Co Ltd, Display Ad, Taiwan Hardware Magazine, Mar. 2004, Taiwan Business Media, p. H-53.*
Shyang Meng Industry Workshop, Display Ad, Taiwan Hardware Magazine, Mar. 2004, Taiwan Business Media, p. B-42.*

* cited by examiner

Primary Examiner—Janice Seeger

(74) *Attorney, Agent, or Firm*—Seed IP Law Group PLLC

(57) **CLAIM**

The ornamental design for a stop block for a wire tying machine, as shown and described.

DESCRIPTION

FIG. 1 is a front perspective view of a stop block for a wire tying machine showing my new design.

FIG. 2 is a front elevation view thereof.

FIG. 3 is a rear elevation view thereof.

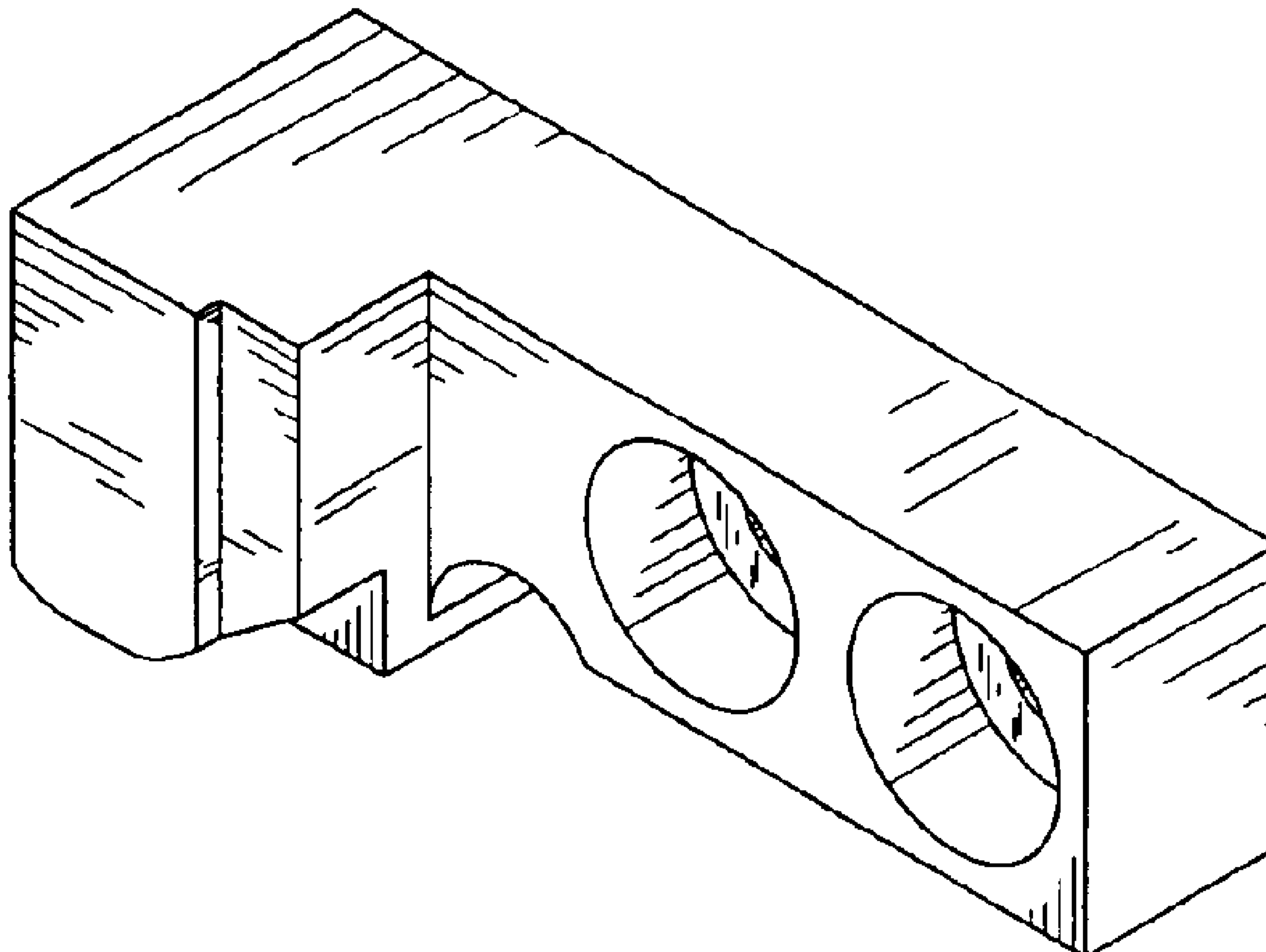
FIG. 4 is a right side elevation view thereof.

FIG. 5 is a left side elevation view thereof.

FIG. 6 is a bottom plan view thereof; and,

FIG. 7 is a top plan view thereof.

1 Claim, 4 Drawing Sheets



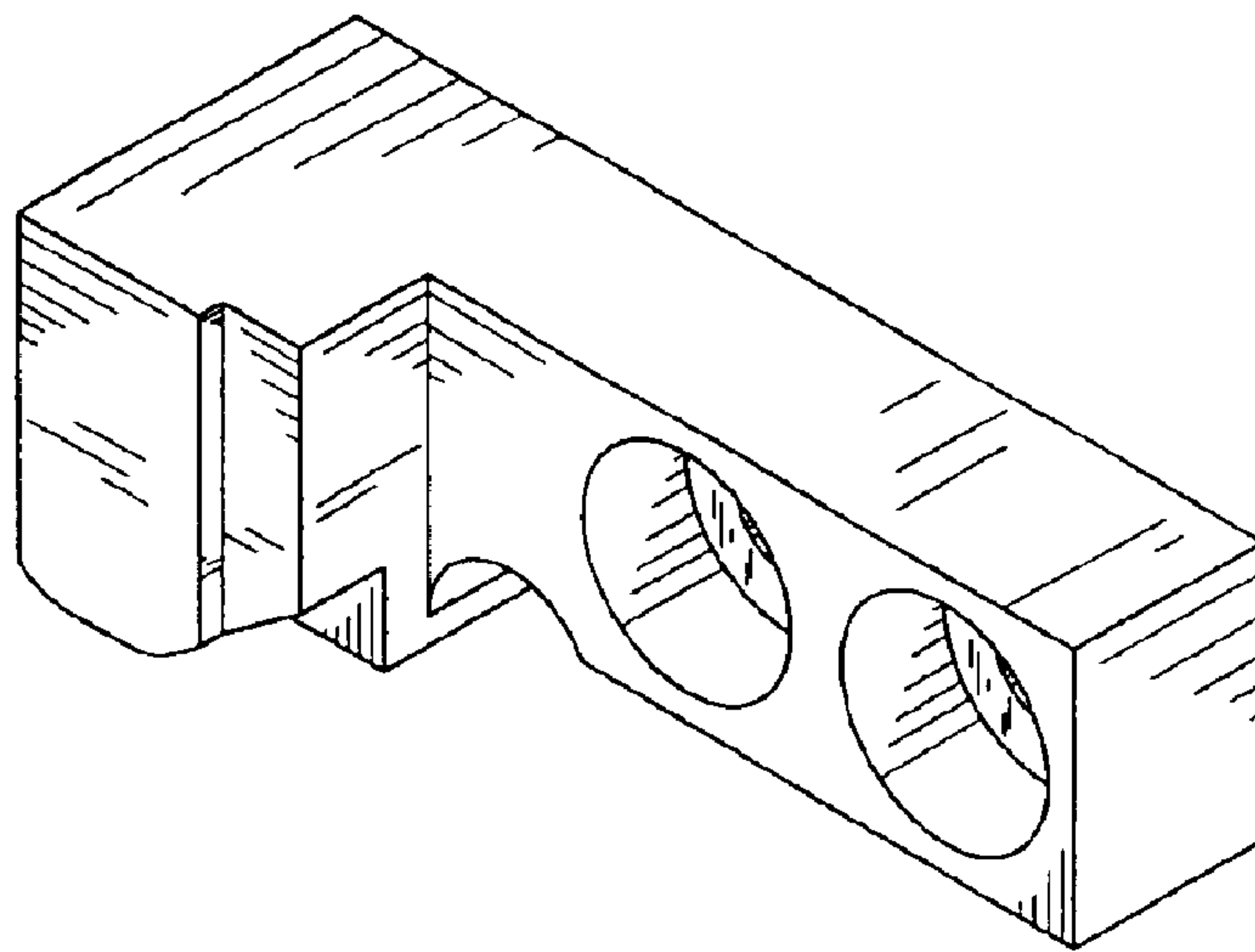


FIG. 1

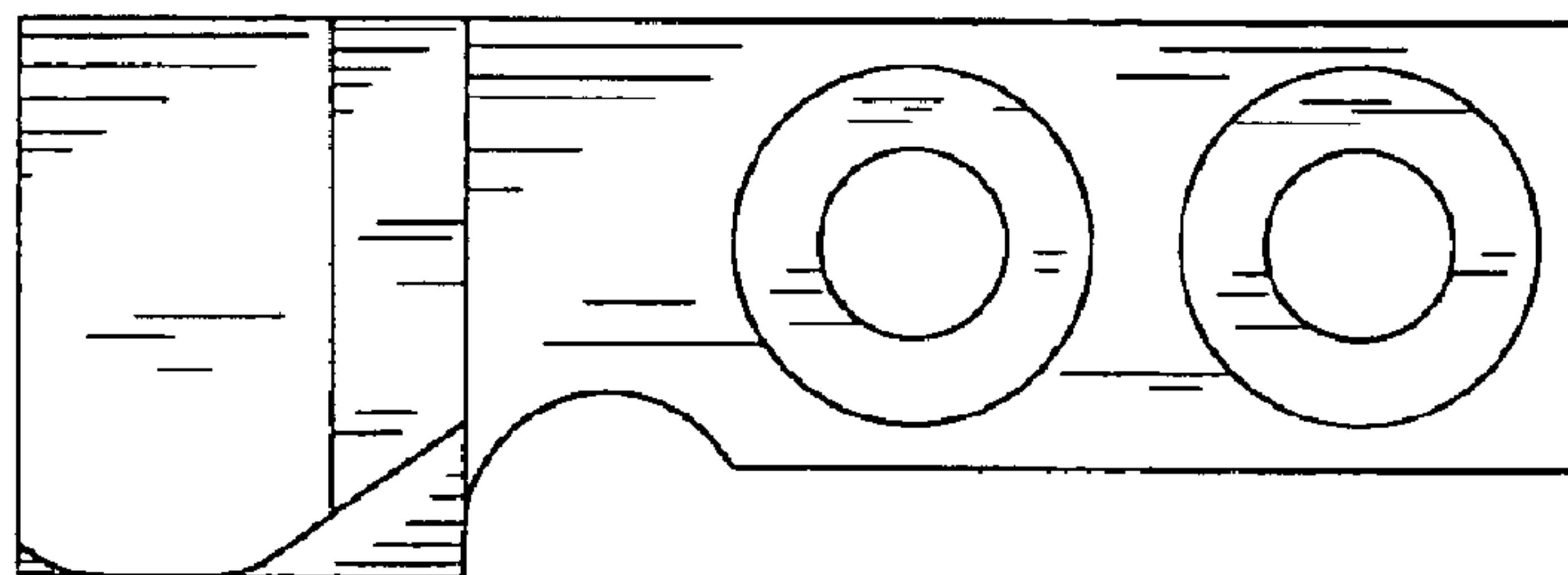


FIG. 2

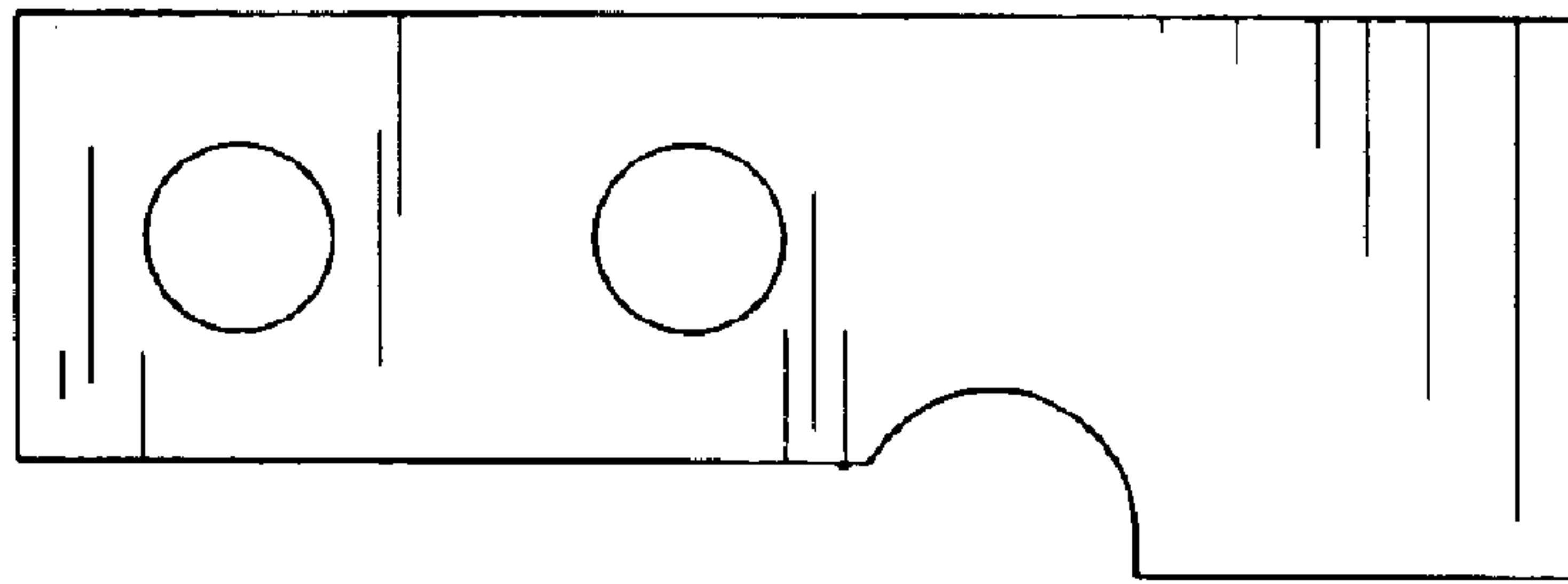


FIG. 3

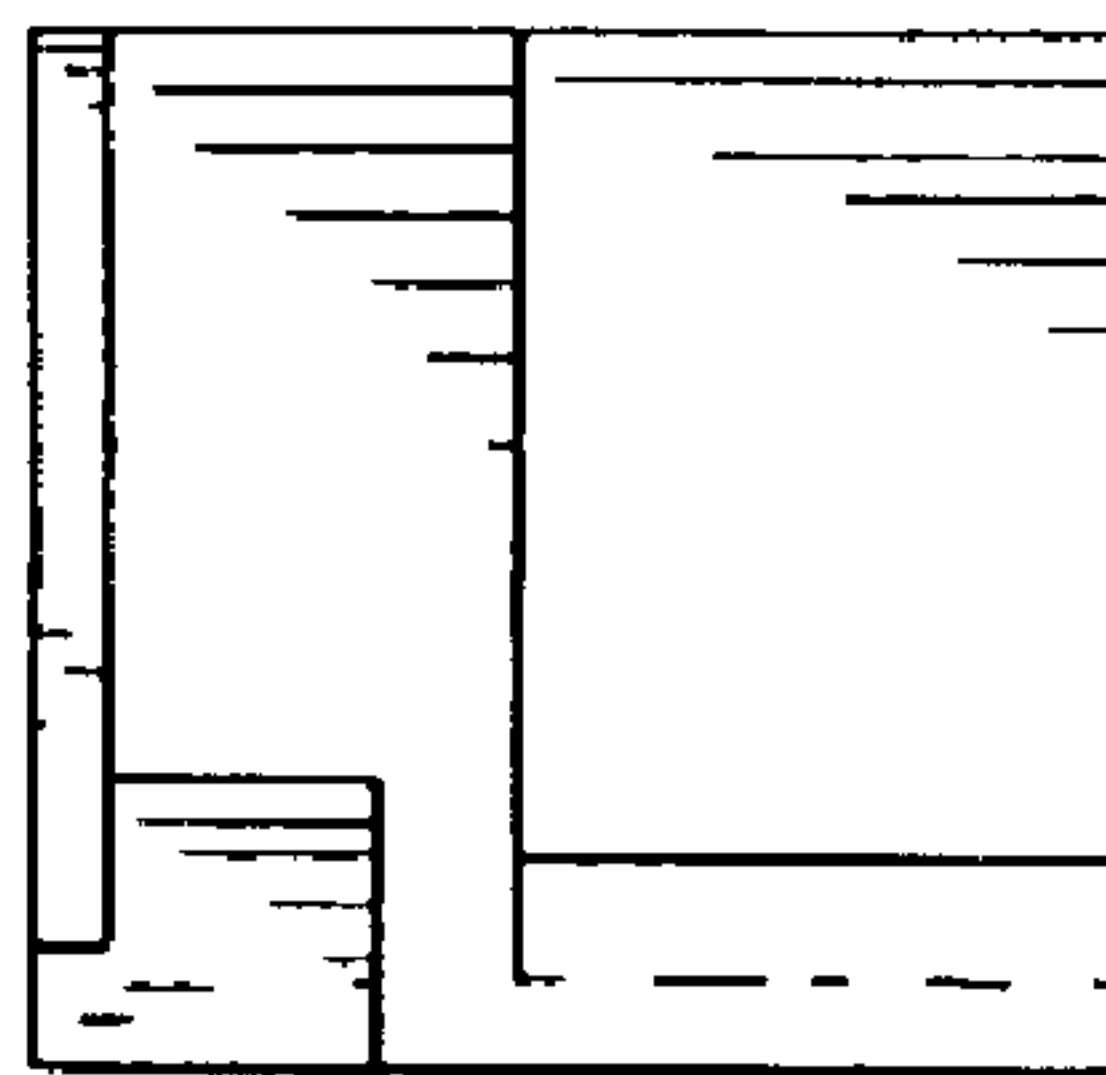


FIG. 4

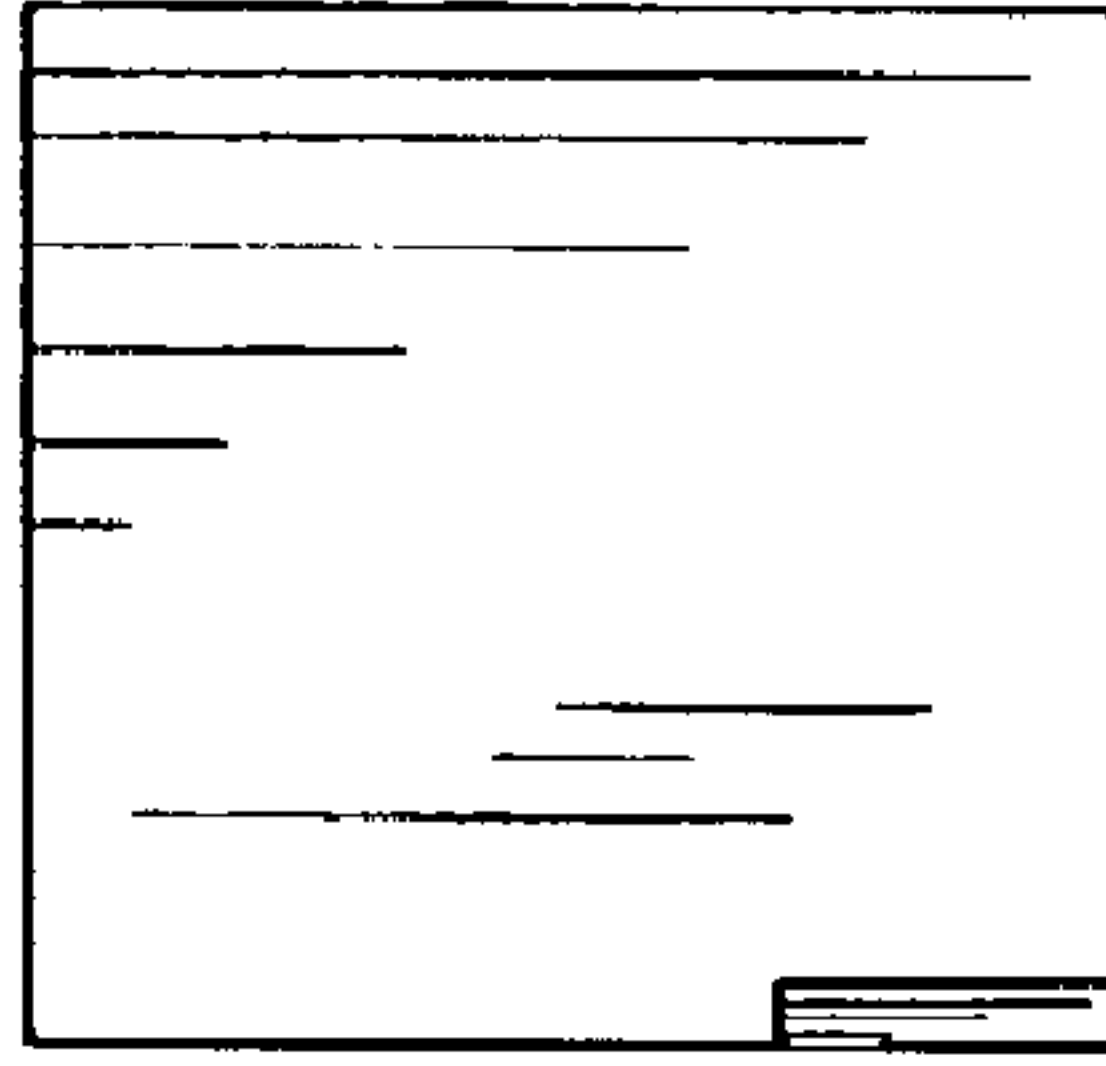


FIG. 5

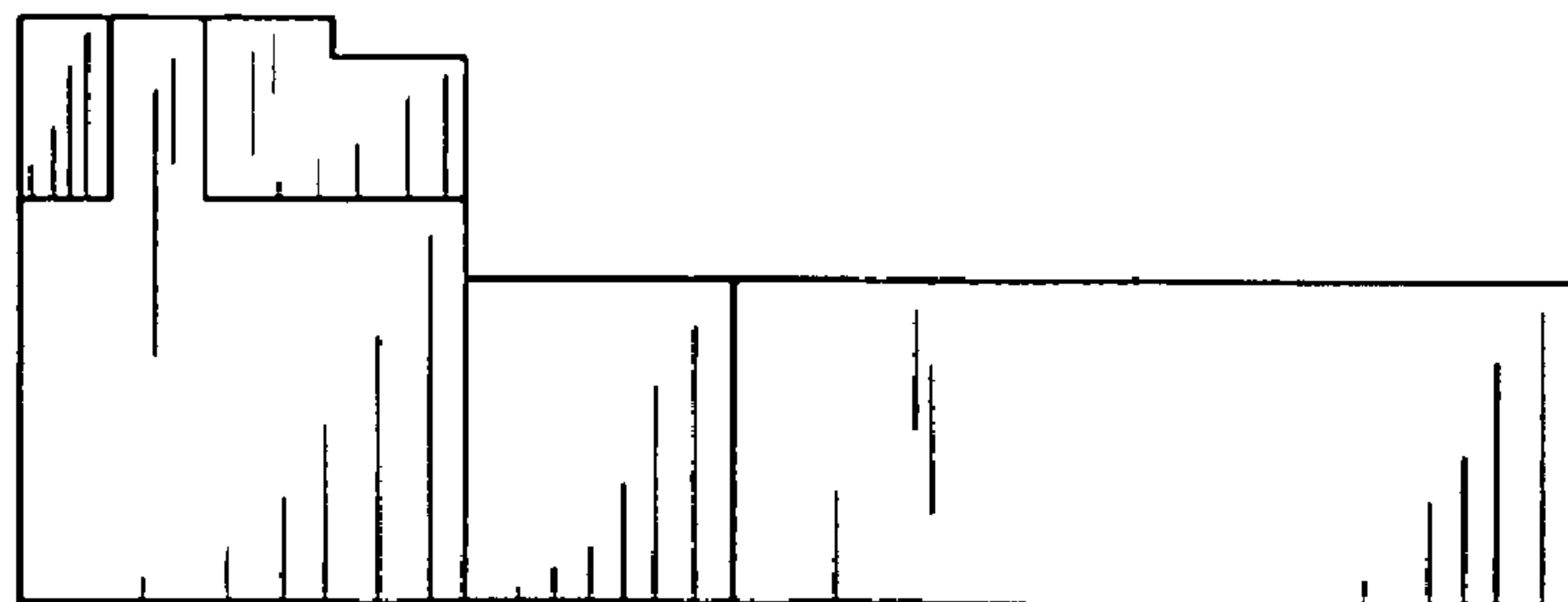


FIG. 6

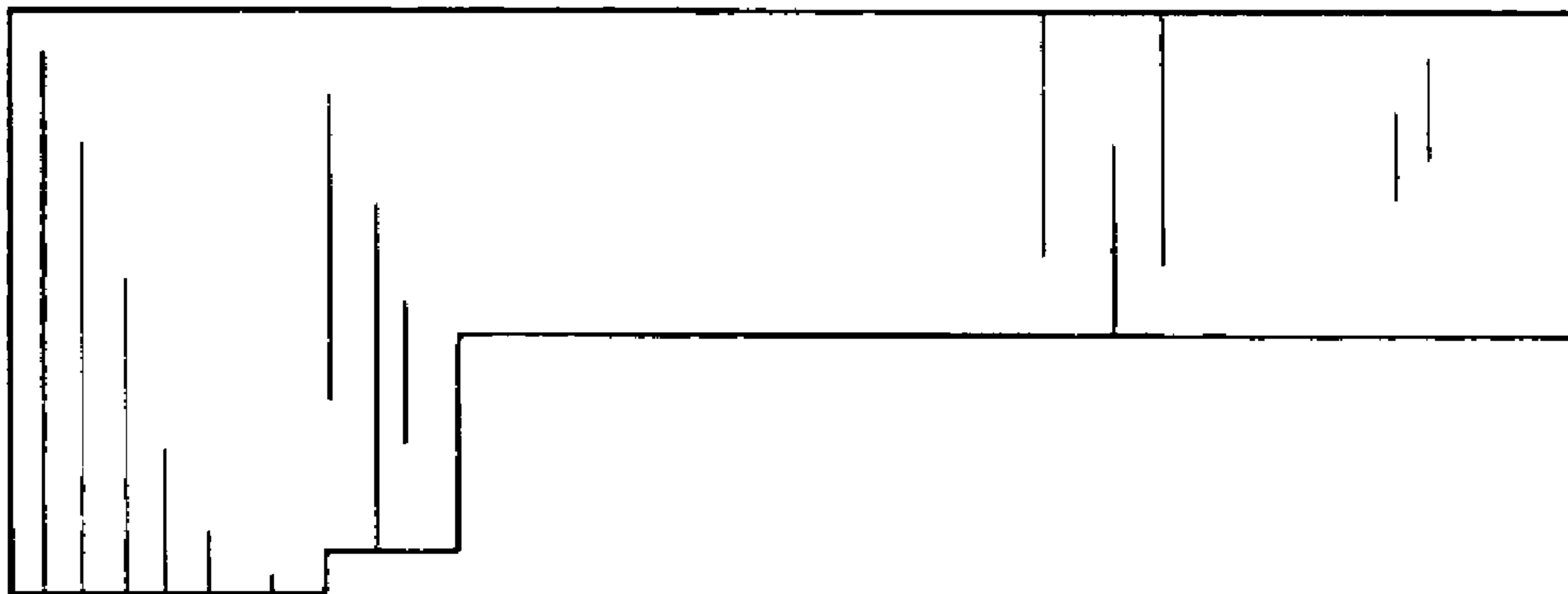


FIG. 7