



US00D518495S

(12) **United States Design Patent**  
**Firth**

(10) **Patent No.:** **US D518,495 S**

(45) **Date of Patent:** **\*\* Apr. 4, 2006**

(54) **MITRE SAW**

(75) **Inventor:** **Robert Firth**, Clifton Moor (GB)

(73) **Assignee:** **GMCA Pty Ltd.** (AU)

(\*\*) **Term:** **14 Years**

(21) **Appl. No.:** **29/230,397**

(22) **Filed:** **May 20, 2005**

(30) **Foreign Application Priority Data**

Mar. 11, 2005 (EM) ..... 000310008

(51) **LOC (8) Cl.** ..... **15-09**

(52) **U.S. Cl.** ..... **D15/133**

(58) **Field of Classification Search** ..... D15/133;  
83/581, 472, 477.1-477.247, 471.2-471.3;  
30/377-378, 388-391, 517-525

See application file for complete search history.

(56) **References Cited**

**U.S. PATENT DOCUMENTS**

366,491 A \* 7/1887 Chang ..... 177/232

454,577 A \* 6/1891 Meredith et al. .... 105/243  
459,373 A \* 9/1891 Hollinger et al. .... 79/2  
D346,173 S \* 4/1994 Price ..... D15/133

\* cited by examiner

*Primary Examiner*—Antoine D. Davis

*Assistant Examiner*—Patricia Palasik

(74) *Attorney, Agent, or Firm*—McKee, Voorhees & Sease, P.L.C.

(57) **CLAIM**

The ornamental design for a mitre saw, substantially as shown.

**DESCRIPTION**

FIG. 1 is a front view of the mitre saw.

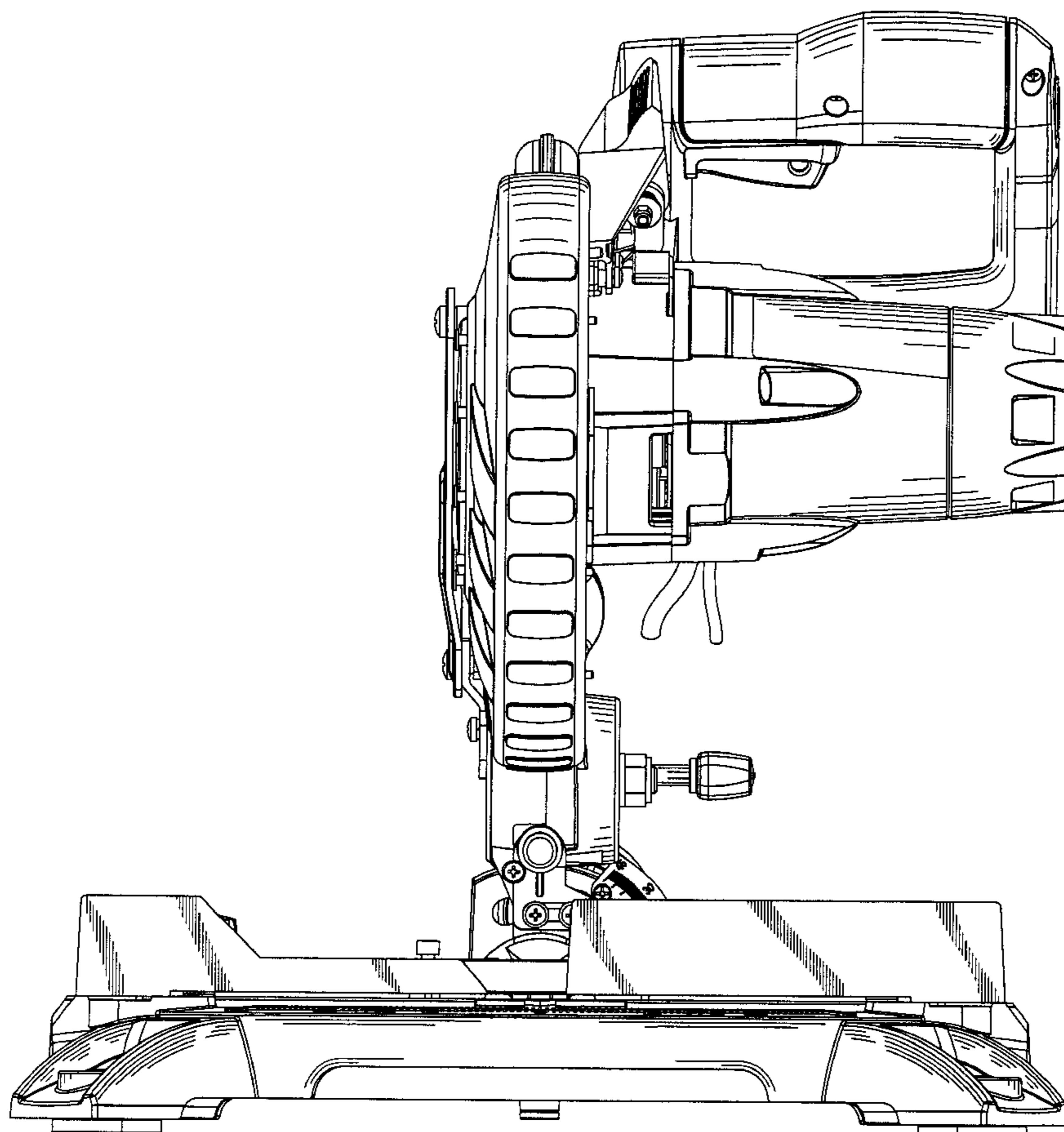
FIG. 2 is a side view of the mitre saw.

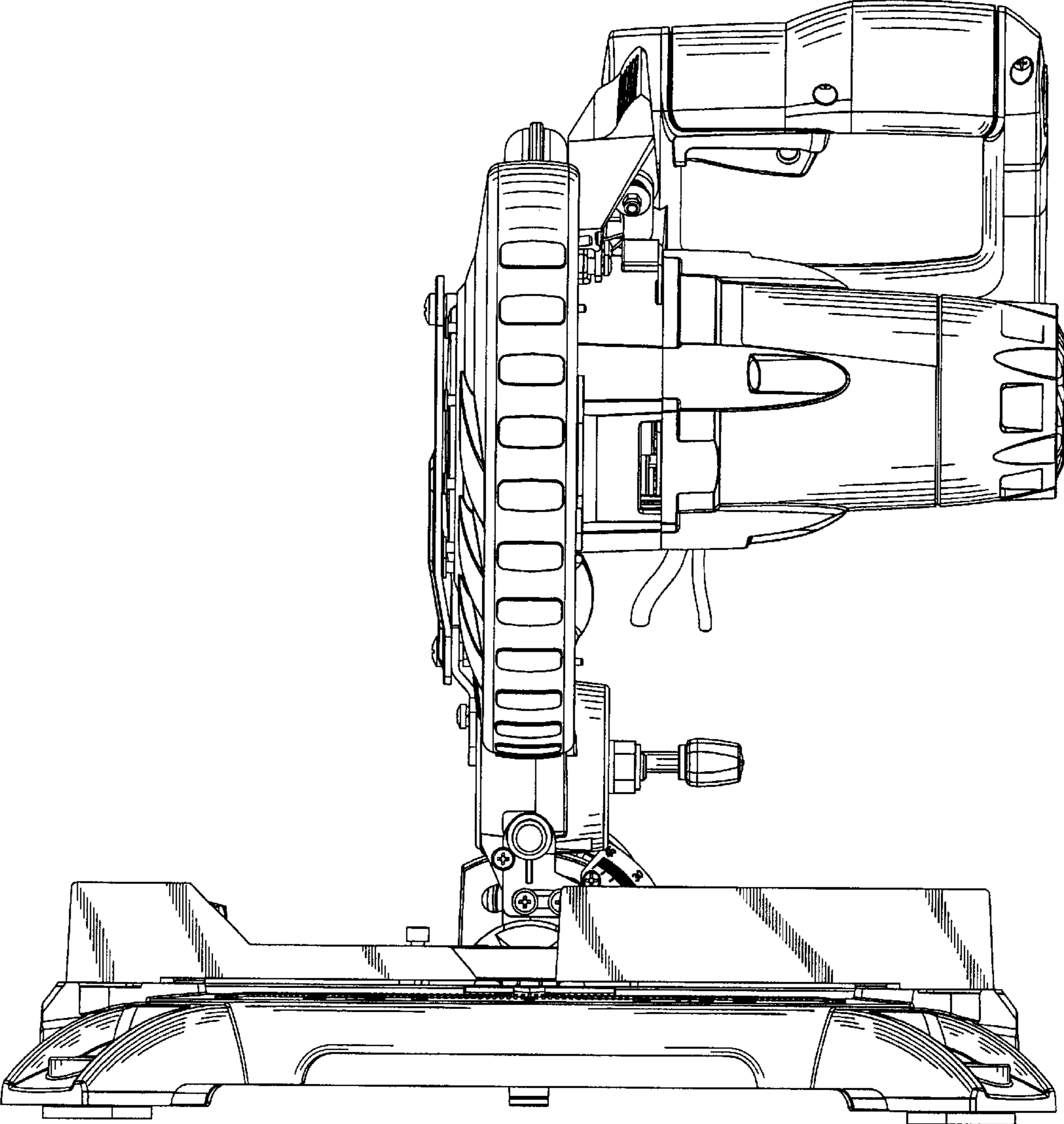
FIG. 3 is an opposite side view of the mitre saw.

FIG. 4 is a top view of the mitre saw; and,

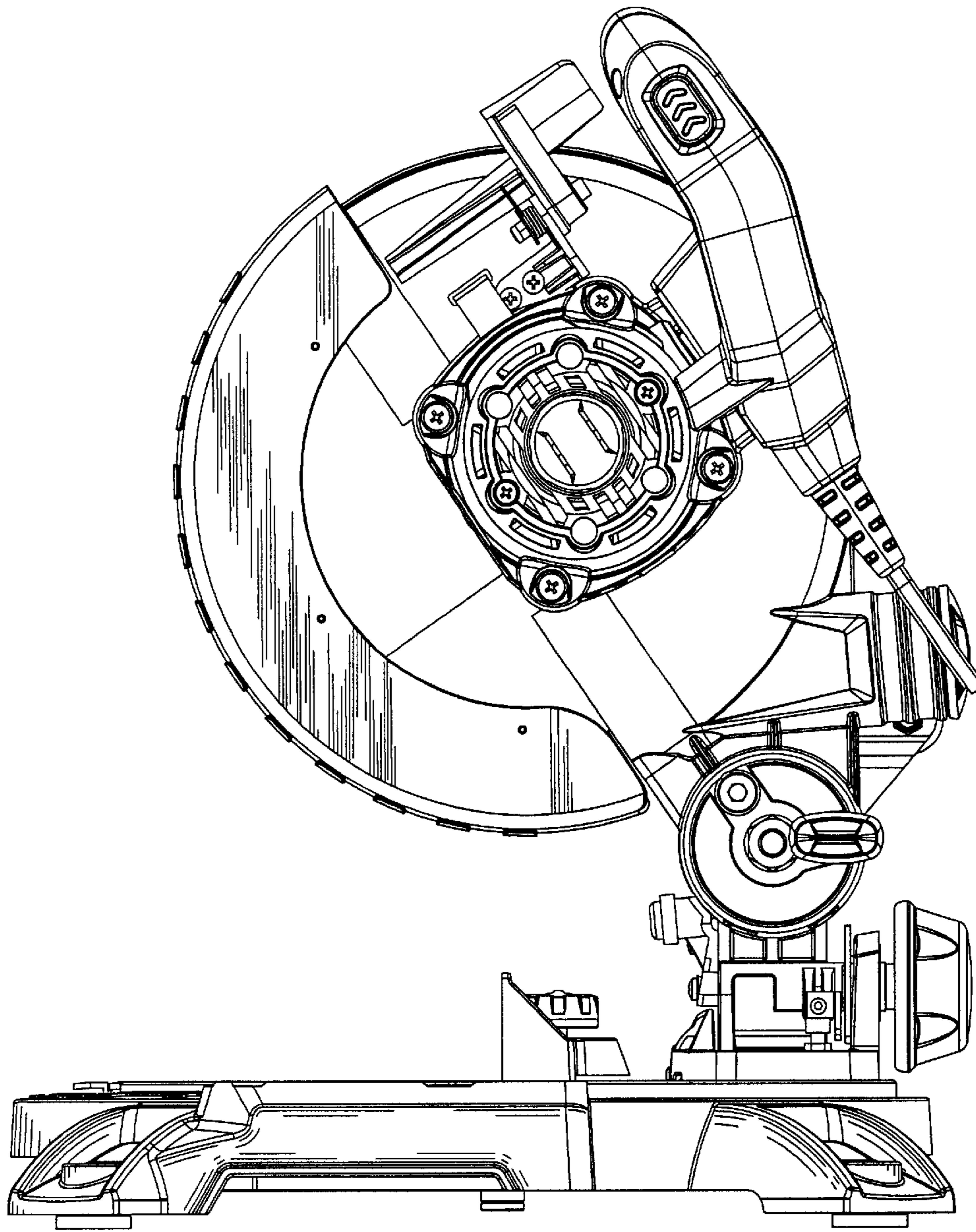
FIG. 5 is a bottom view of the mitre saw.

**1 Claim, 5 Drawing Sheets**

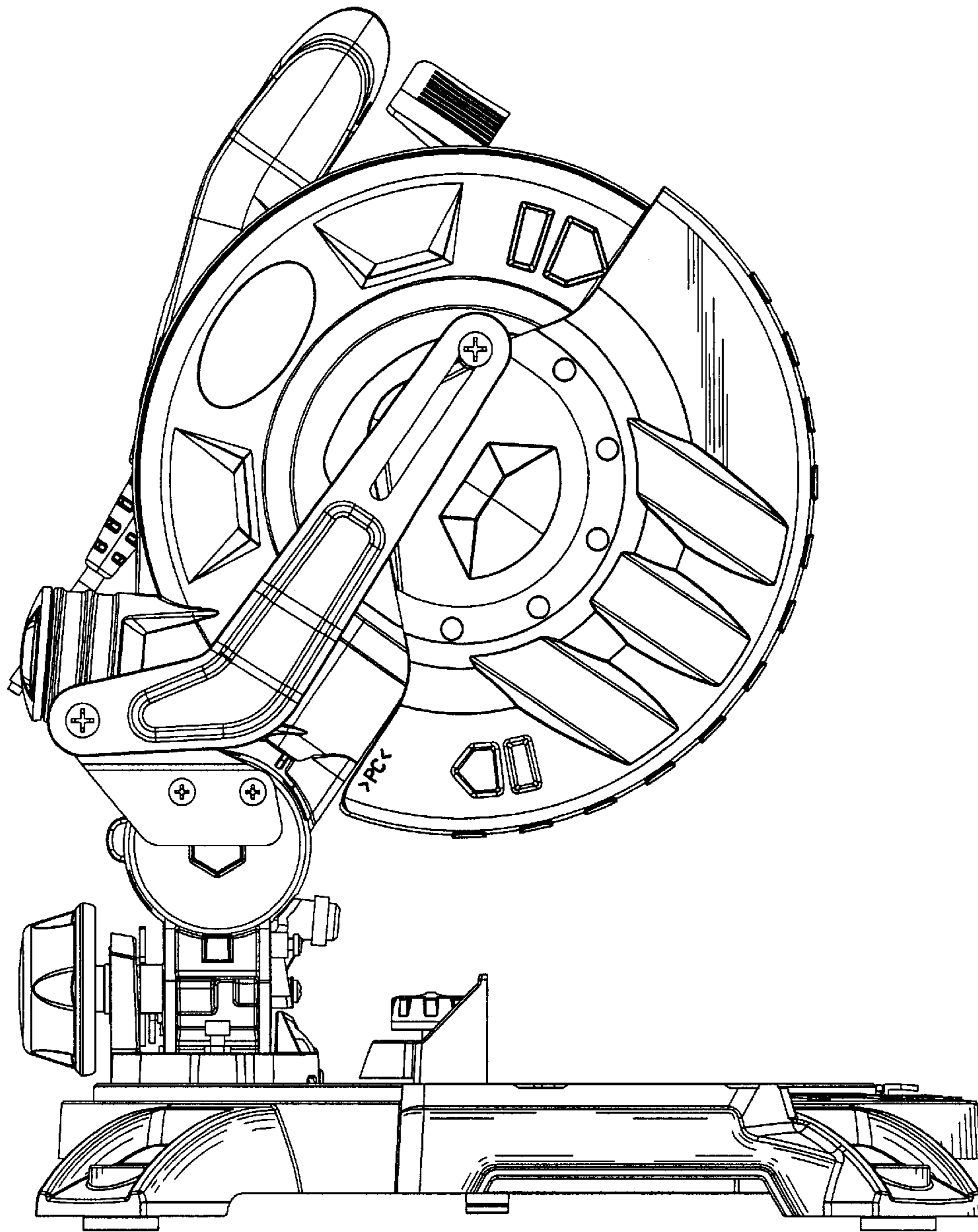




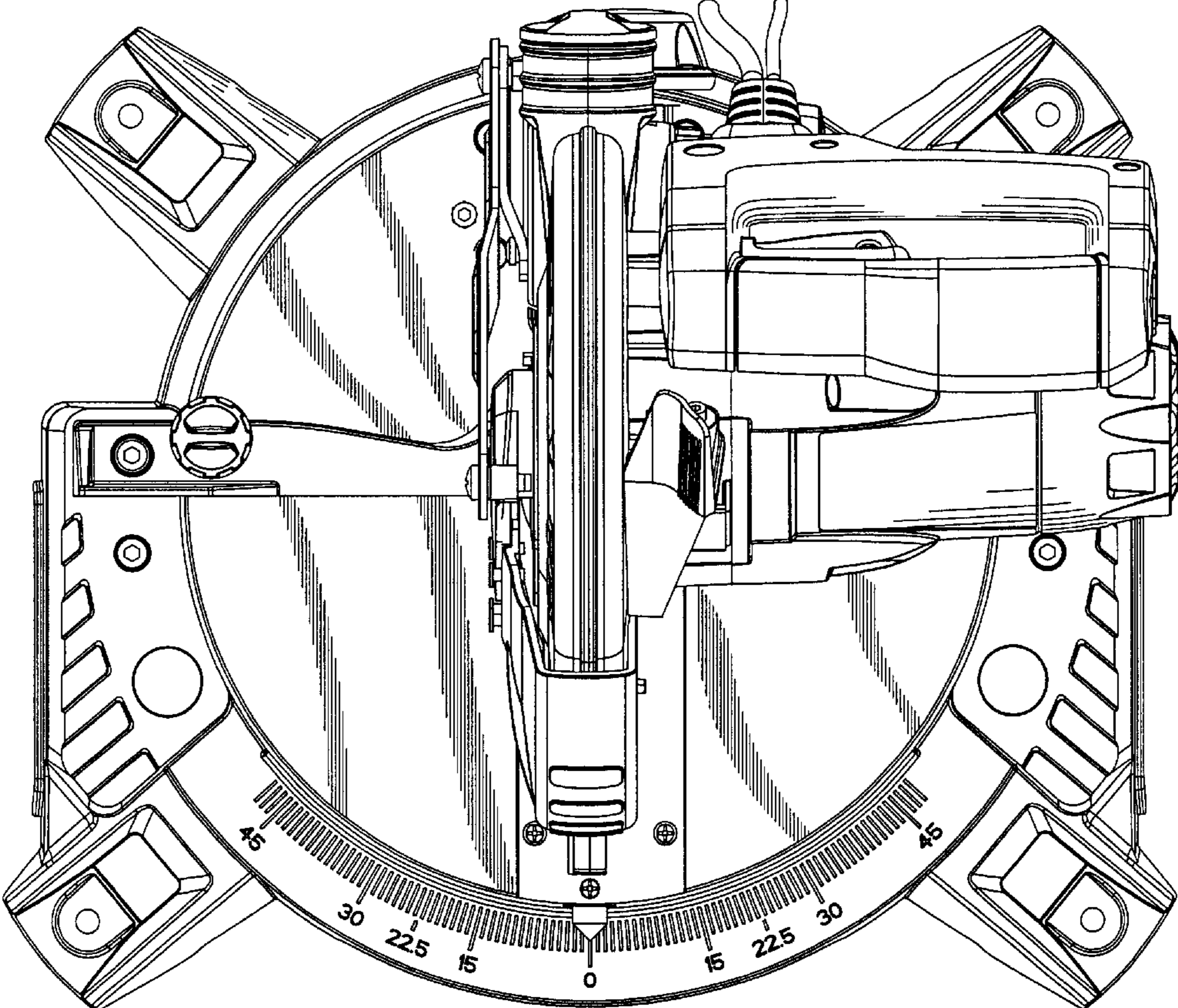
*Fig. 1*



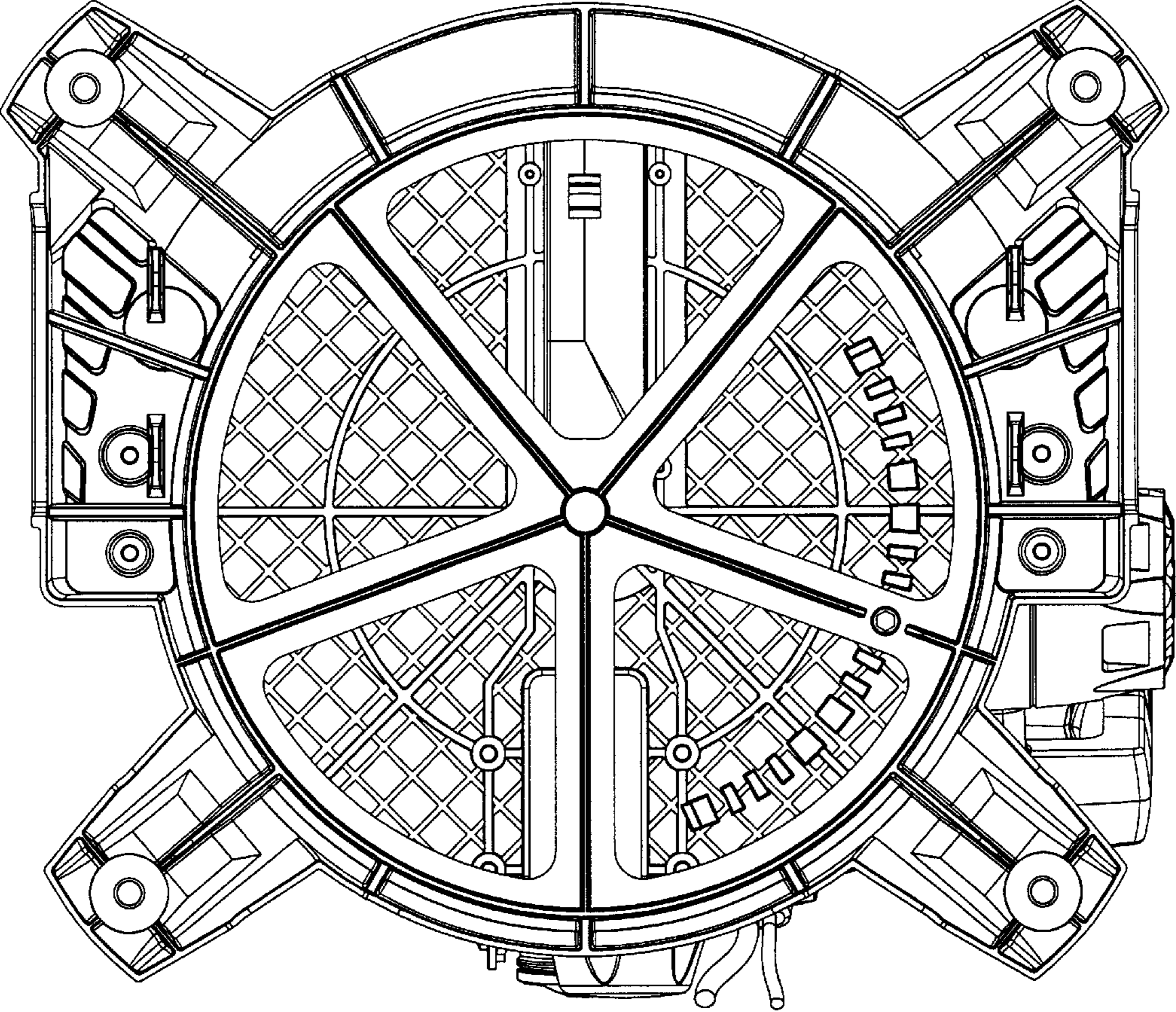
*Fig. 2*



*Fig. 3*



*Fig. 4*



*Fig. 5*