



US00D518494S

(12) **United States Design Patent**  
**Rapp**

(10) **Patent No.:** **US D518,494 S**

(45) **Date of Patent:** **\*\* Apr. 4, 2006**

(54) **SMALL PRESS**

5,906,155 A \* 5/1999 Hammond ..... 100/231  
6,948,420 B1 \* 9/2005 Kirschner et al. .... 99/295

(75) Inventor: **Eugen Rapp**, Berg (DE)

\* cited by examiner

(73) Assignee: **TOX Pressotechnik GmbH & Co. KG**, Weingarten (DE)

*Primary Examiner*—Antoine D. Davis

*Assistant Examiner*—Patricia Palasik

(\*\*) Term: **14 Years**

(74) *Attorney, Agent, or Firm*—Orum & Roth LLC

(21) Appl. No.: **29/207,020**

(57) **CLAIM**

(22) Filed: **Jun. 8, 2004**

The ornamental design for a small press, as shown and described.

(51) **LOC (8) Cl.** ..... **15-09**

**DESCRIPTION**

(52) **U.S. Cl.** ..... **D15/123**

(58) **Field of Classification Search** ..... D15/123;  
100/231, 269.01–269.21, 270–272, 902  
See application file for complete search history.

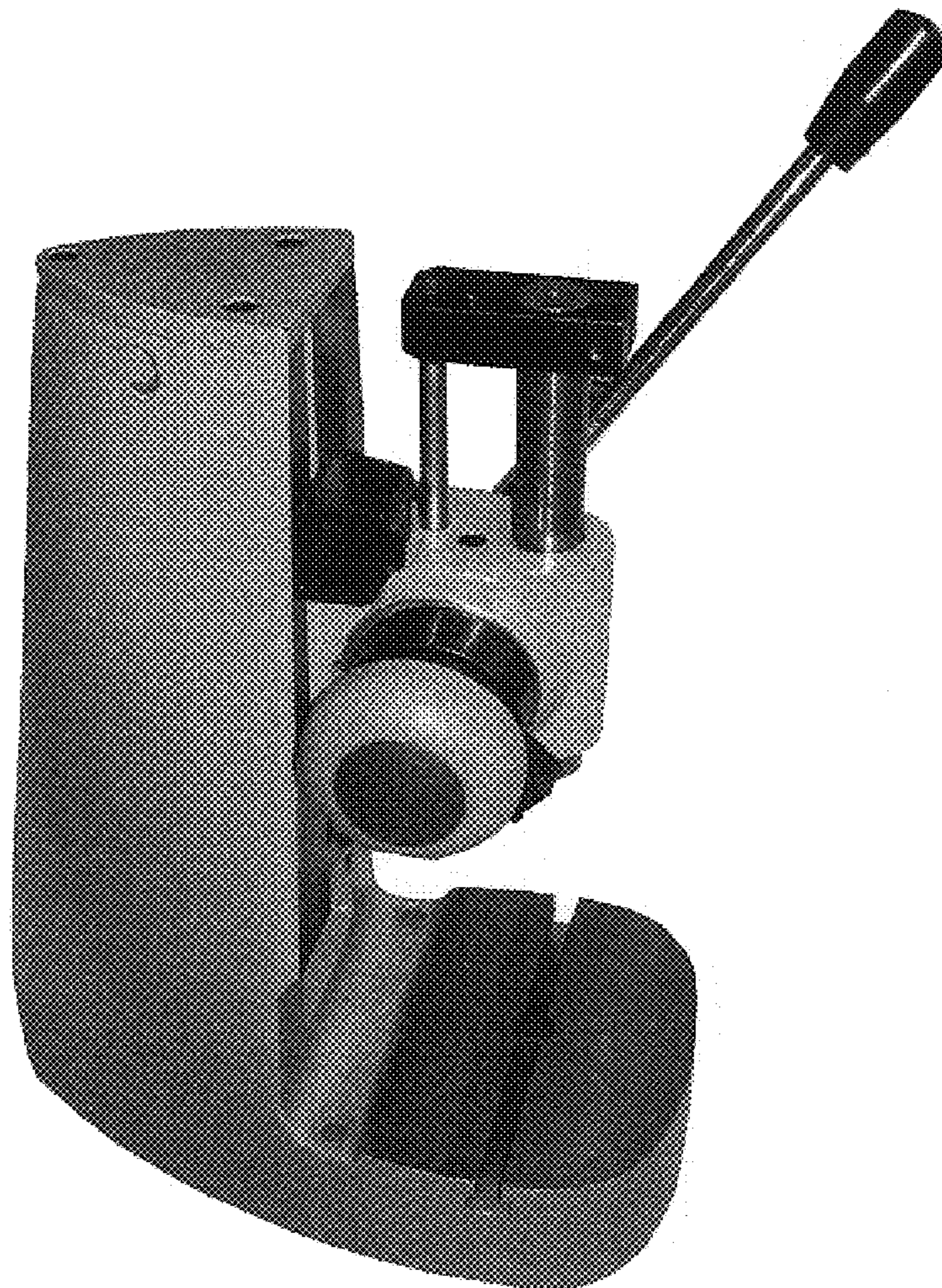
FIG. 1 is a left side perspective view of a small press;  
FIG. 2 is a right side perspective view of a small press;  
FIG. 3 is a right rear perspective view of a small press;  
FIG. 4 is a left rear perspective view of a small press;  
FIG. 5 is a front view perspective view of a small press;  
FIG. 6 is a top plan view of a small press; and,  
FIG. 7 is a bottom perspective view of a small press.

(56) **References Cited**

**U.S. PATENT DOCUMENTS**

3,686,922 A \* 8/1972 Bley ..... 72/441

**1 Claim, 7 Drawing Sheets**





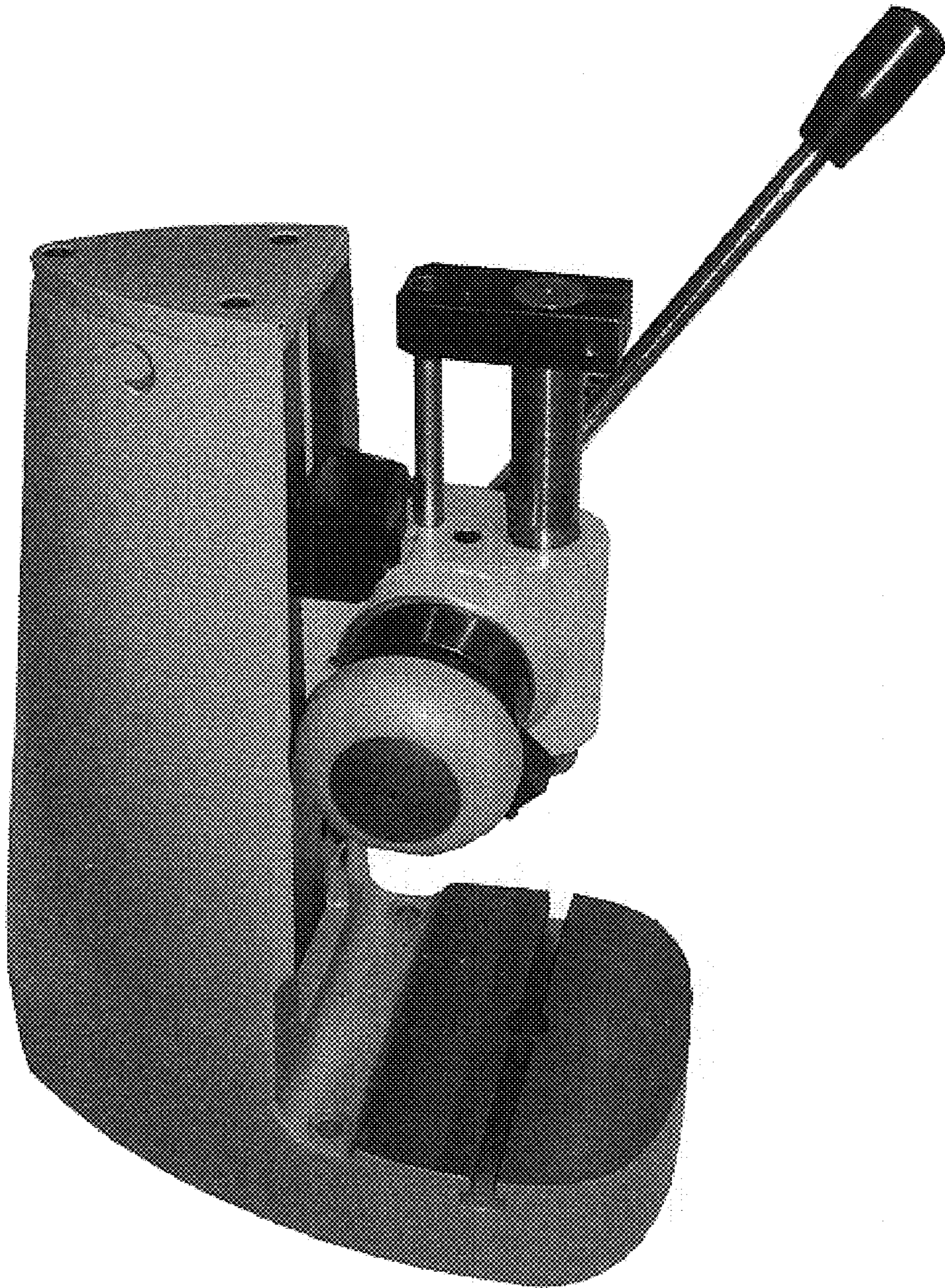


Figure 1



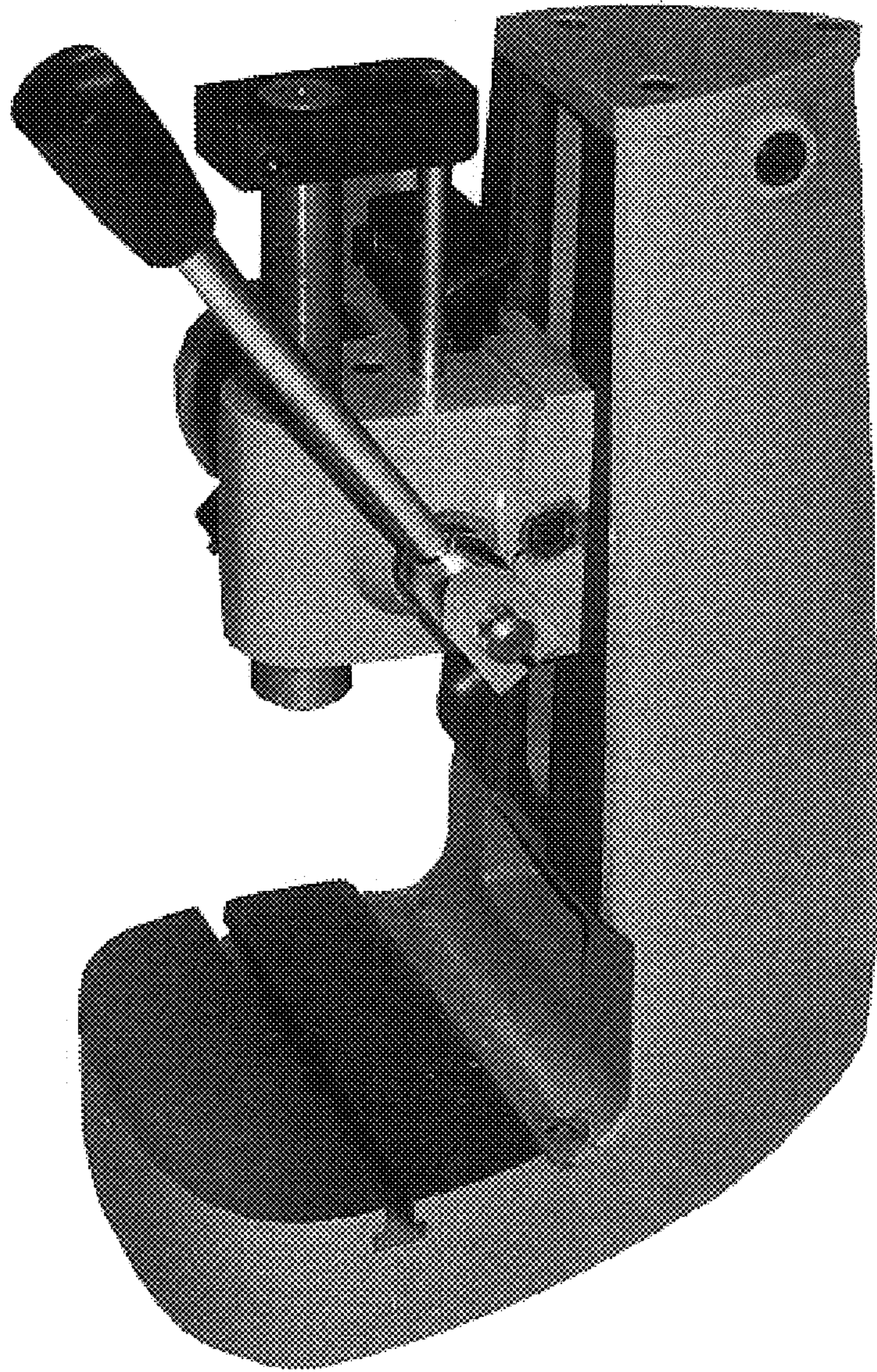


Figure 2



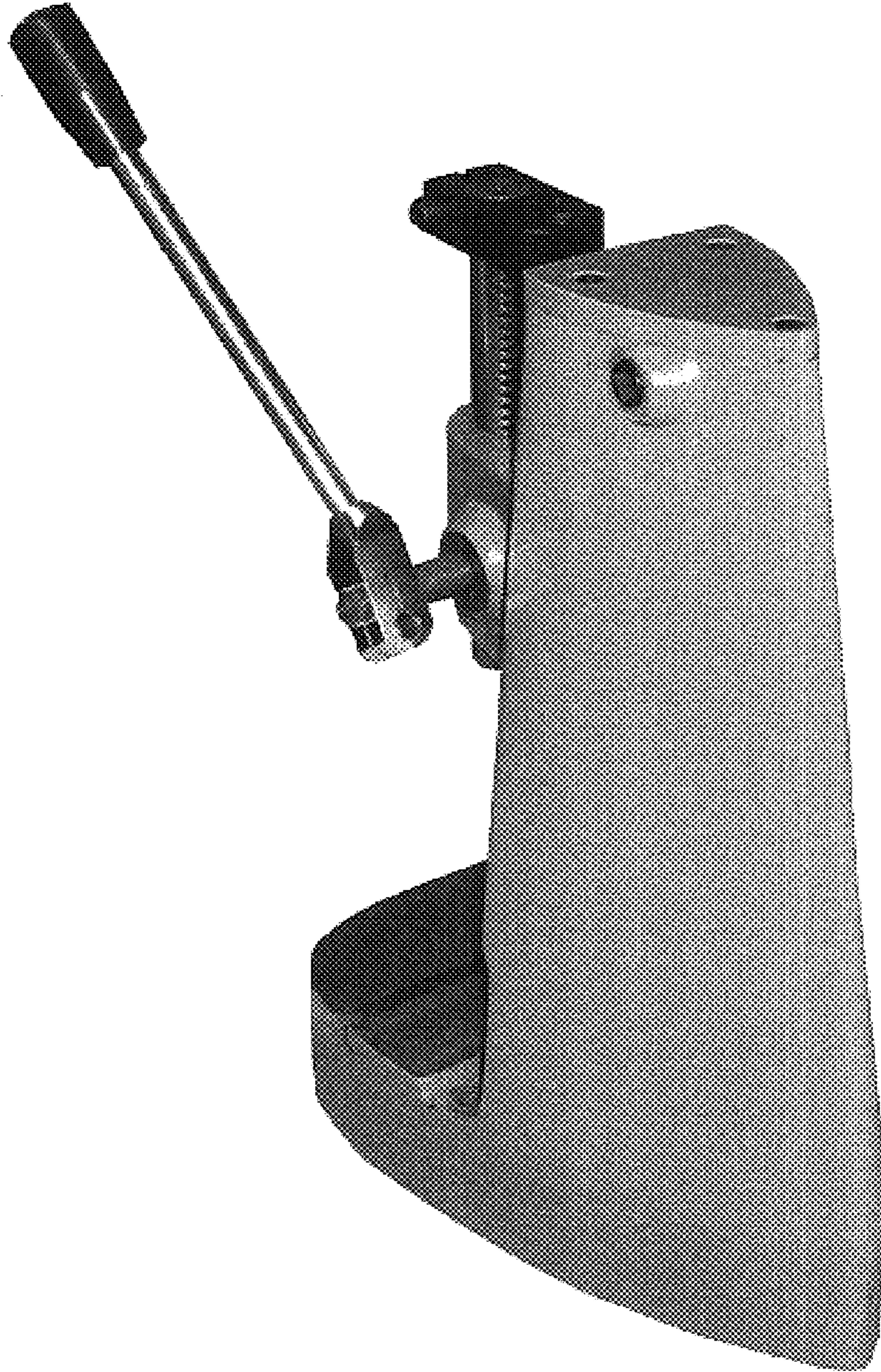


Figure 3





Figure 4



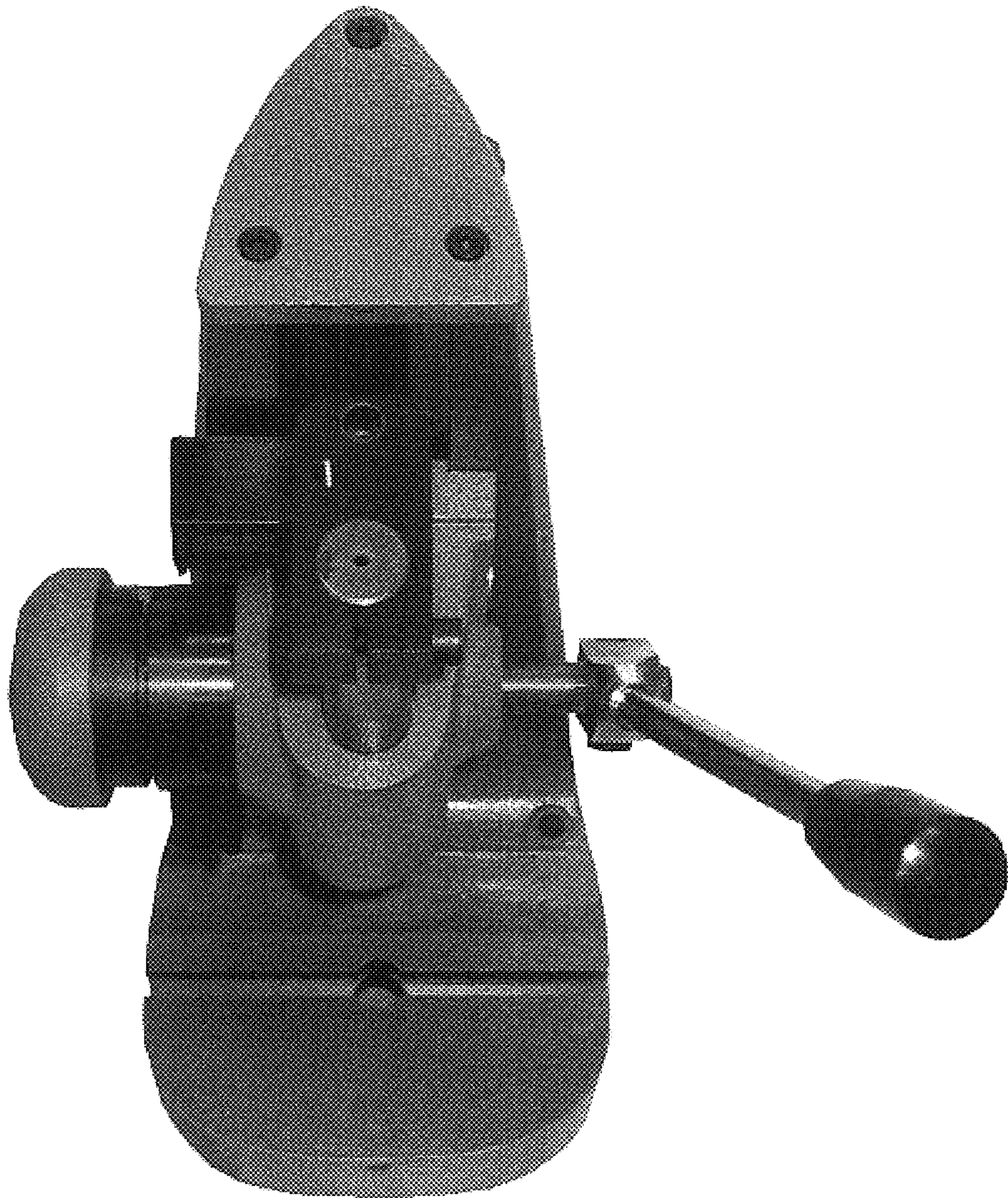


Figure 5



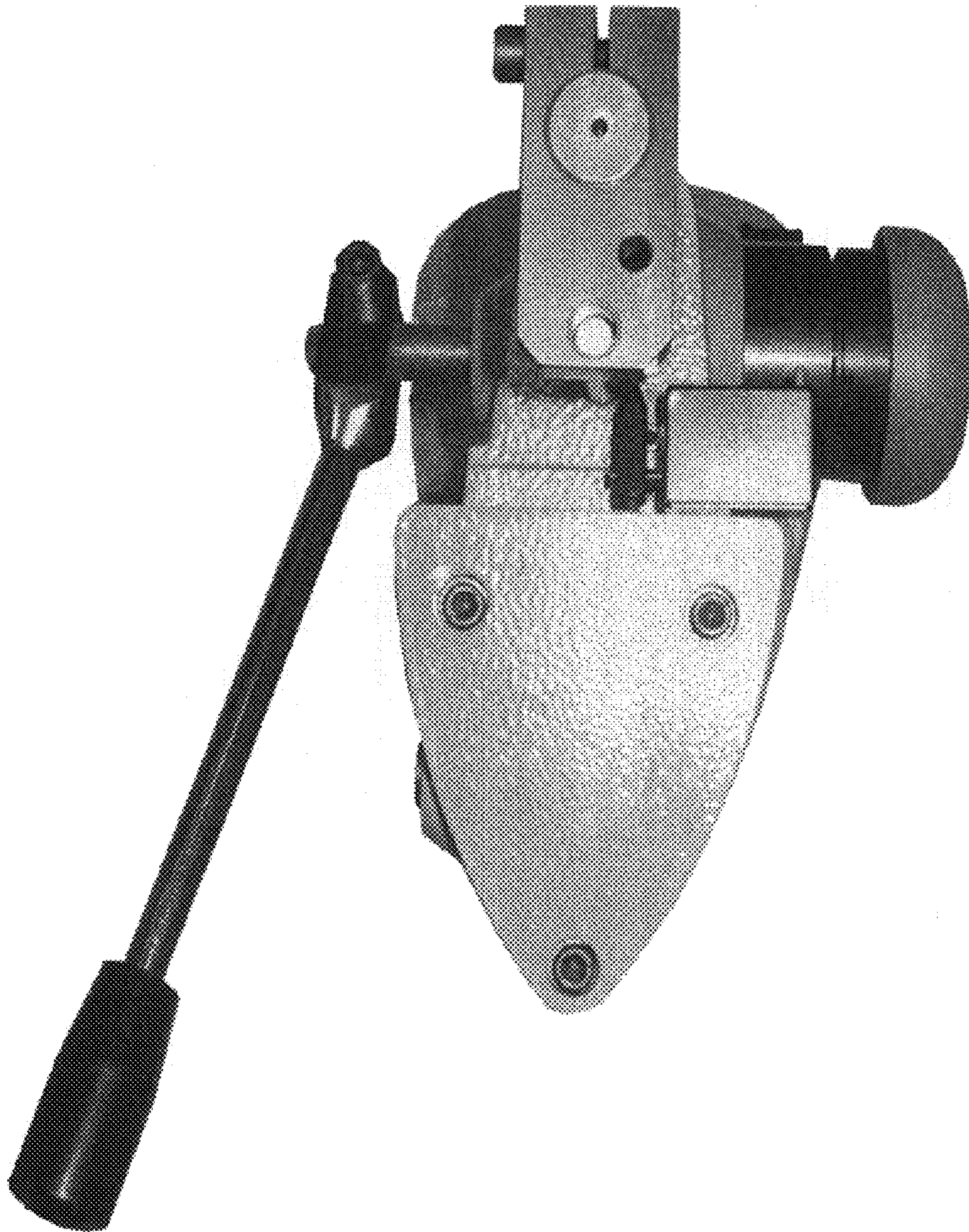


Figure 6



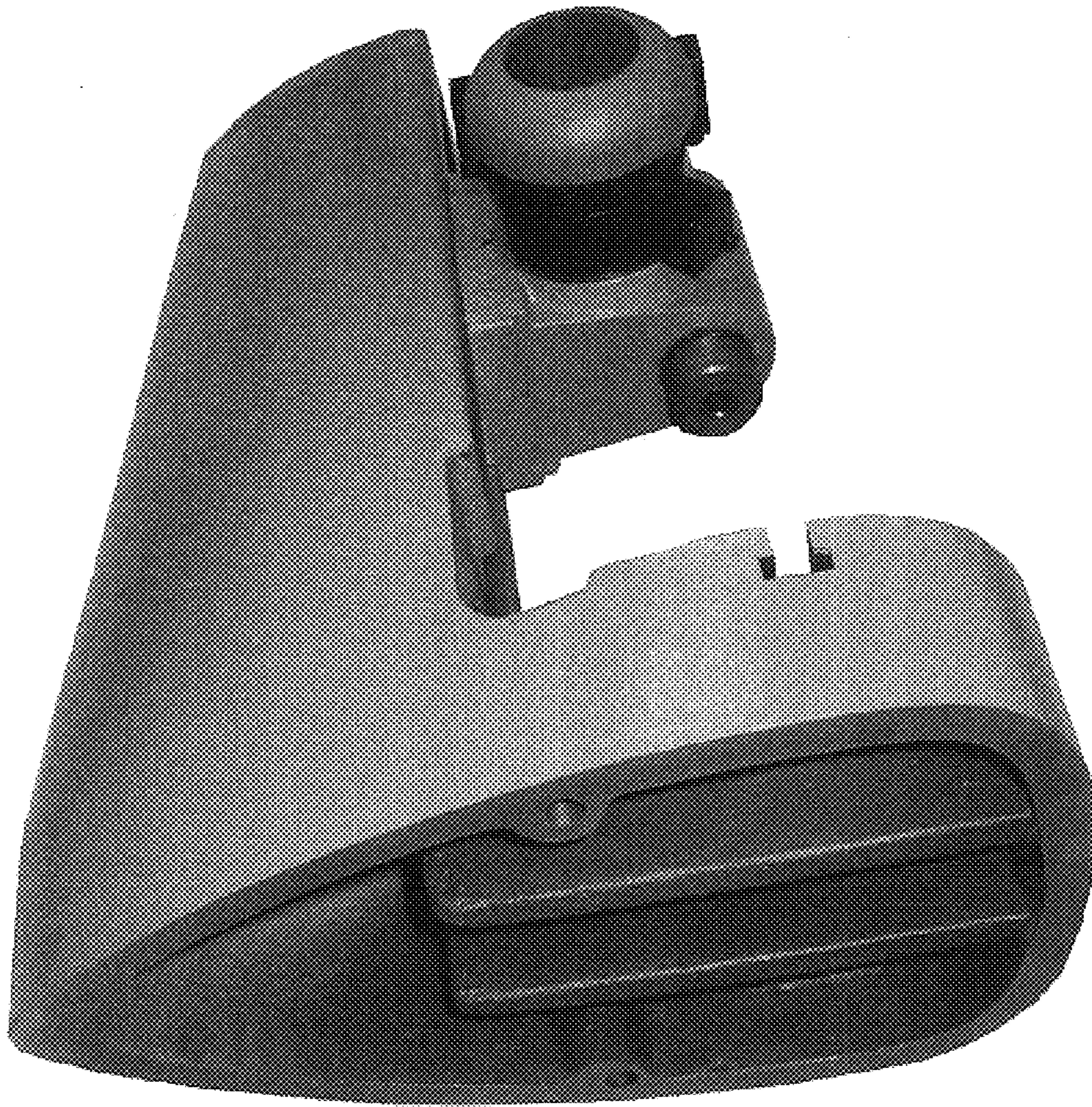


Figure 7