



US00D518493S

(12) **United States Design Patent**
Sato et al.

(10) **Patent No.:** **US D518,493 S**

(45) **Date of Patent:** **** Apr. 4, 2006**

(54) **CONTROL PANEL FOR REFRIGERATOR**

(75) Inventors: **Hidehiko Sato**, Osaka-fu (JP); **Akihiro Mochizuki**, Osaka-fu (JP); **Ken Wakiya**, Osaka-fu (JP)

(73) Assignees: **Sanyo Electric Co., Ltd.**, Osaka-fu (JP); **Sanyo Electric Biomedical Co., Ltd.**, Osaka-fu (JP)

(**) Term: **14 Years**

(21) Appl. No.: **29/180,722**

(22) Filed: **Apr. 29, 2003**

(30) **Foreign Application Priority Data**

Oct. 31, 2002 (JP) 2002-029766

(51) **LOC (8) Cl.** **15-07**

(52) **U.S. Cl.** **D15/89**

(58) **Field of Classification Search** D15/79-91;
62/246, 248, 251, 275, 440, 441, 449; 312/116,
312/138.1, 401, 402, 404, 405, 405.1; D13/162
See application file for complete search history.

(56) **References Cited**

U.S. PATENT DOCUMENTS

D308,212 S * 5/1990 Dallman D15/85

D309,122 S * 7/1990 Biemolt D15/81
D326,663 S * 6/1992 Kim D15/85
D455,160 S * 4/2002 Choi D15/89
D472,882 S * 4/2003 Moye et al. D13/162

* cited by examiner

Primary Examiner—Mitchell Siegel

(74) *Attorney, Agent, or Firm*—Weingarten, Schurgin, Gagnebin & Lebovici LLP

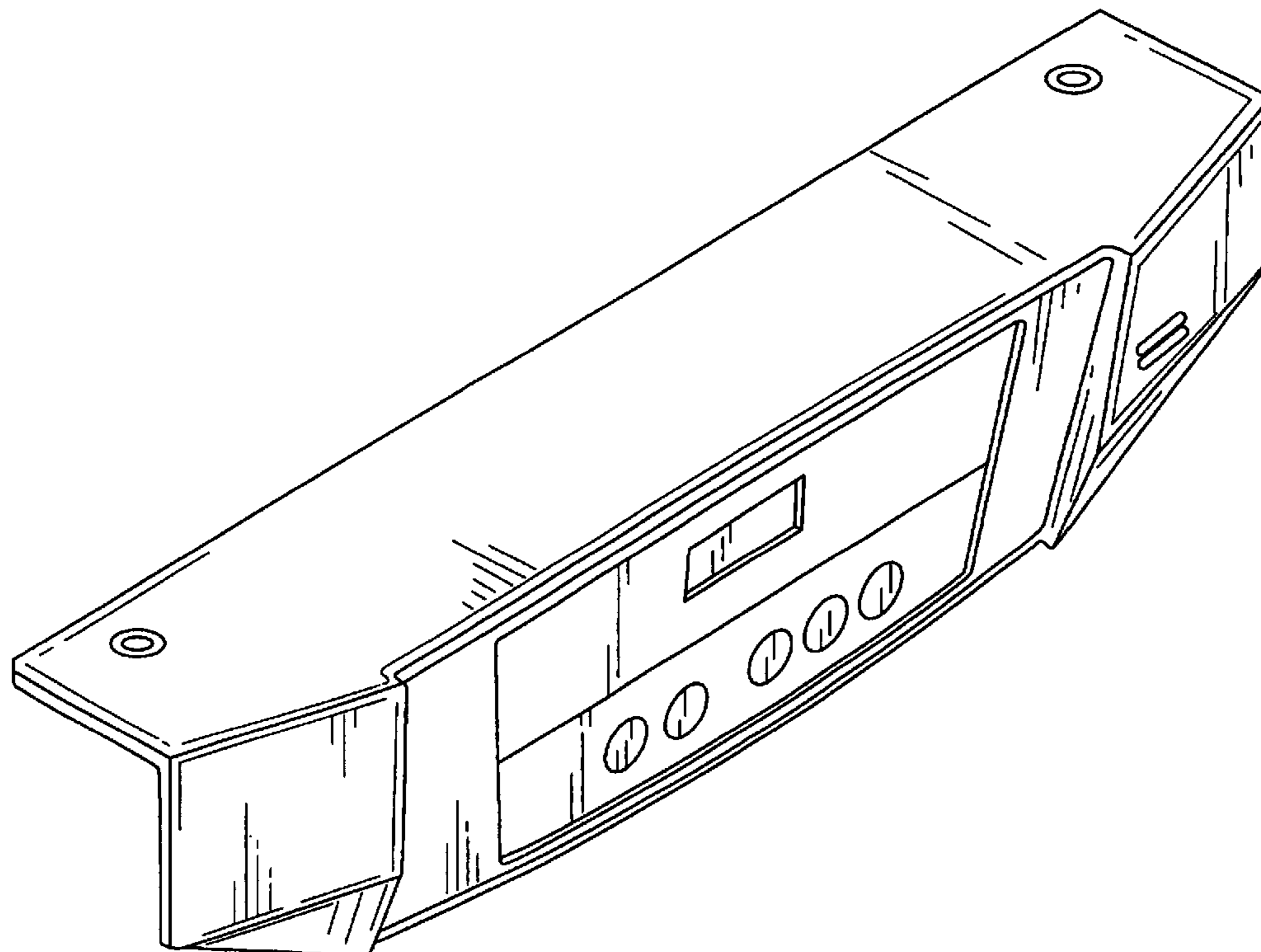
(57) **CLAIM**

The ornamental design for control panel for refrigerator, as shown and described.

DESCRIPTION

FIG. 1 is a front view of control panel for refrigerator;
FIG. 2 is a rear view thereof;
FIG. 3 is a right-side view thereof;
FIG. 4 is a left-side side view thereof;
FIG. 5 is a top view thereof;
FIG. 6 is a bottom view thereof;
FIG. 7 is a perspective view of control panel for refrigerator looking from a left-side view thereof; and,
FIG. 8 is an enlarged perspective view of FIG. 7.
The broken line showing is for illustrative purposes only and forms no part of the claimed design.

1 Claim, 4 Drawing Sheets



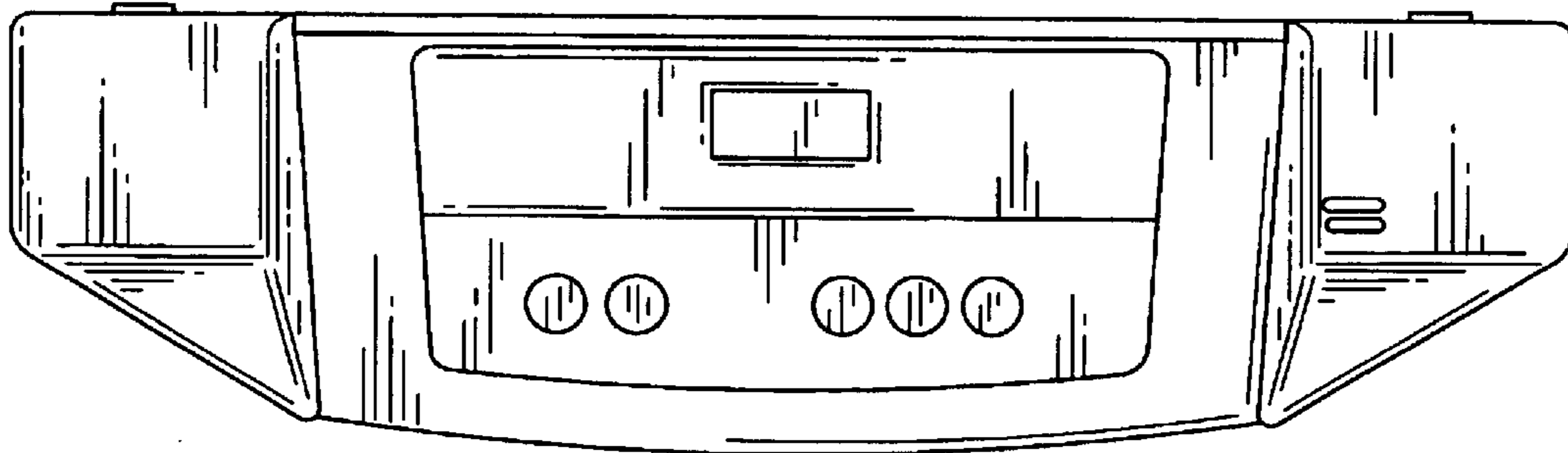


FIG. 1

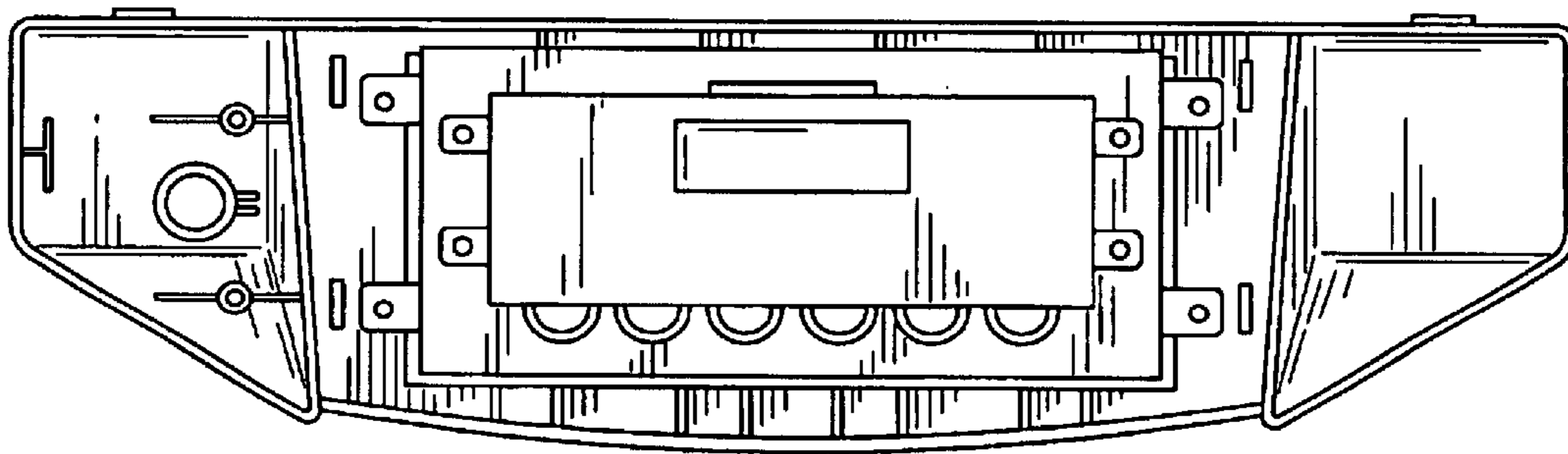


FIG. 2

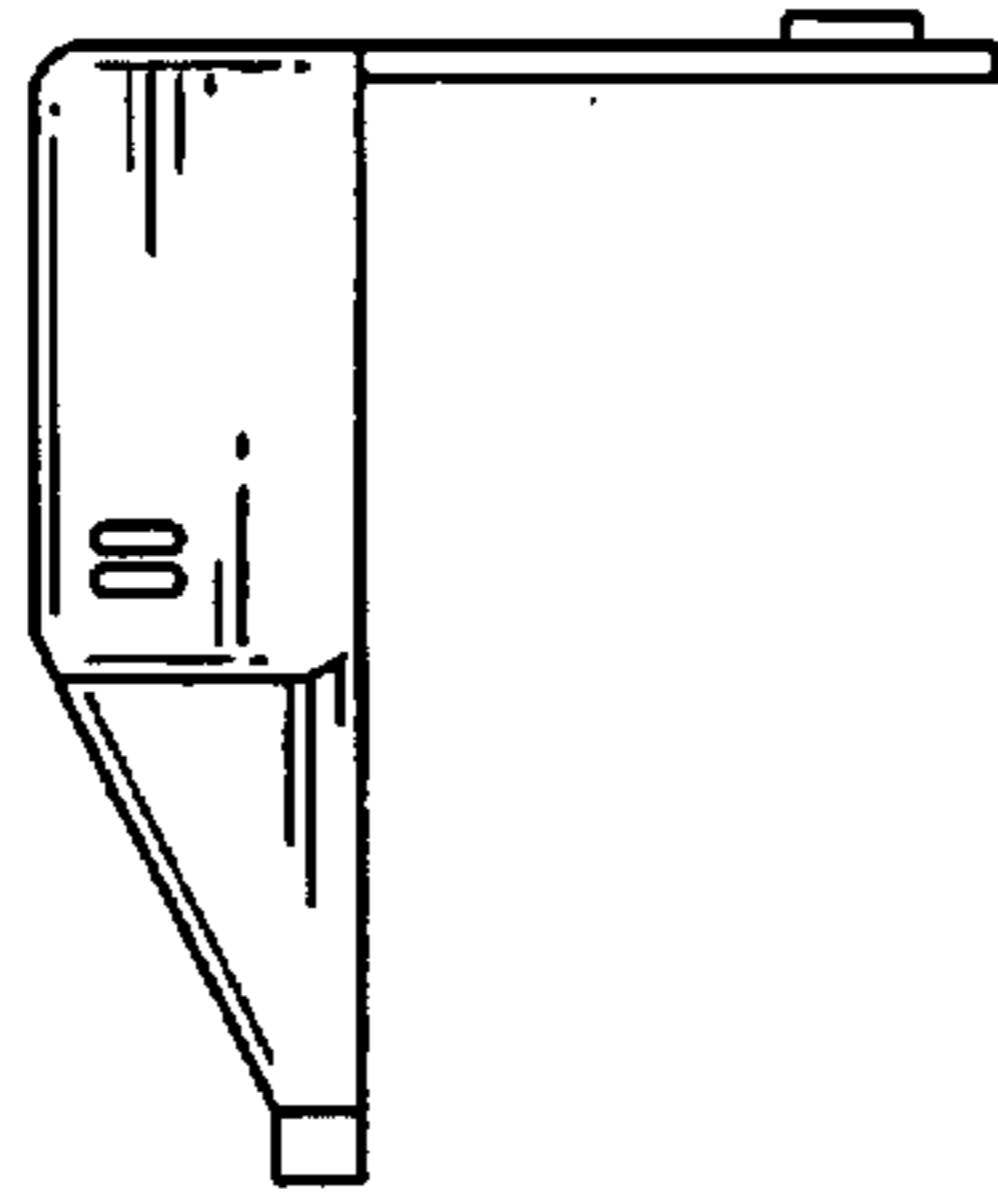


FIG. 3

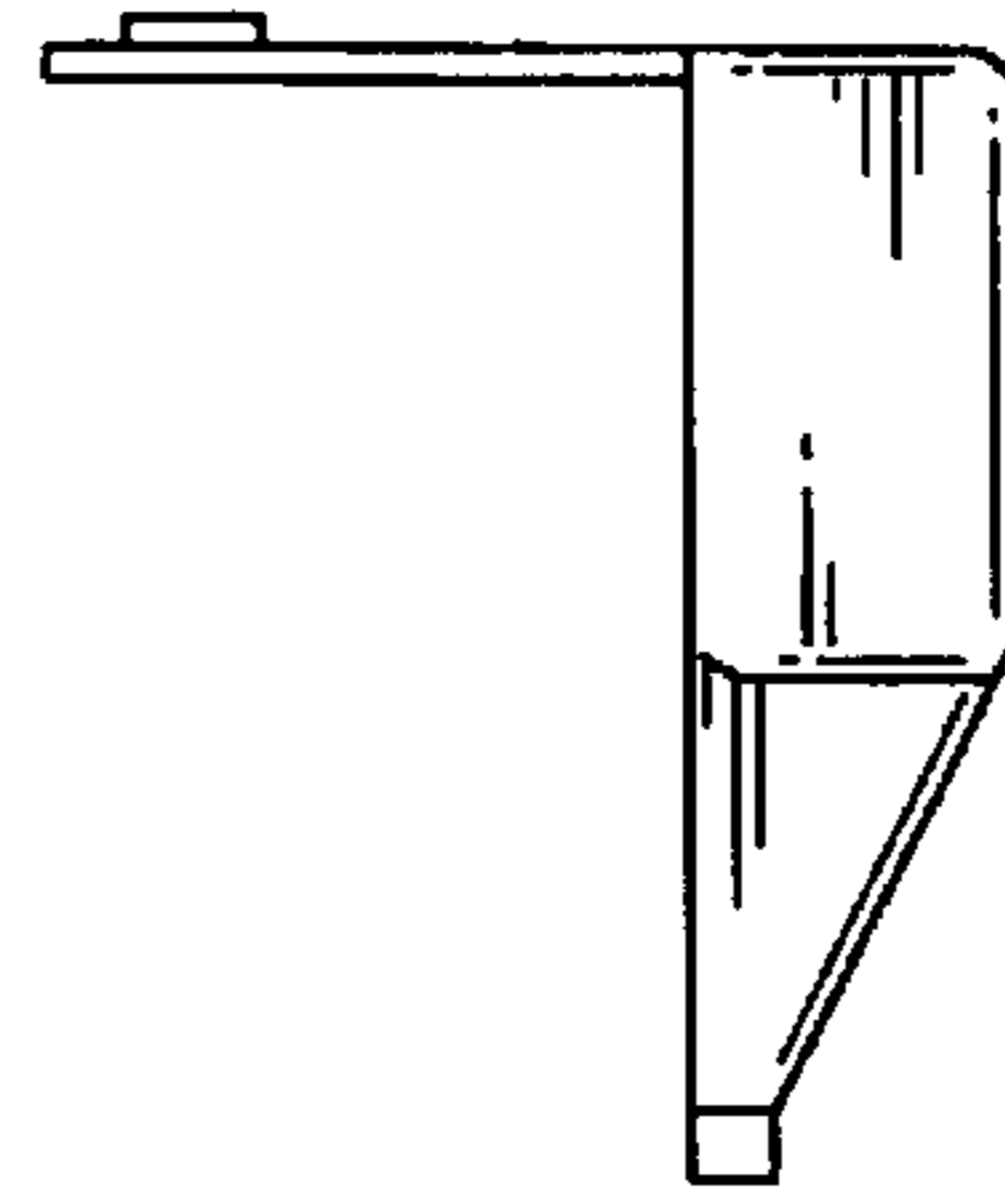


FIG. 4

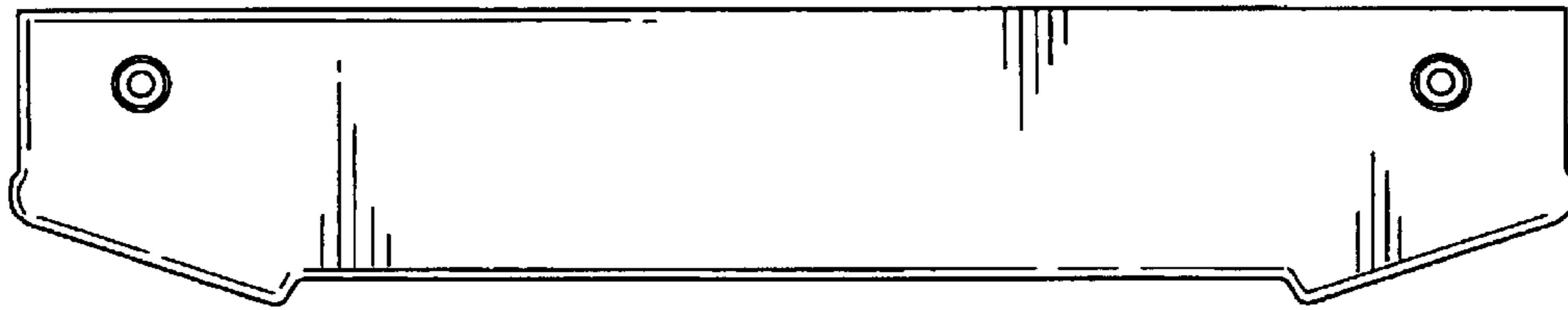


FIG. 5

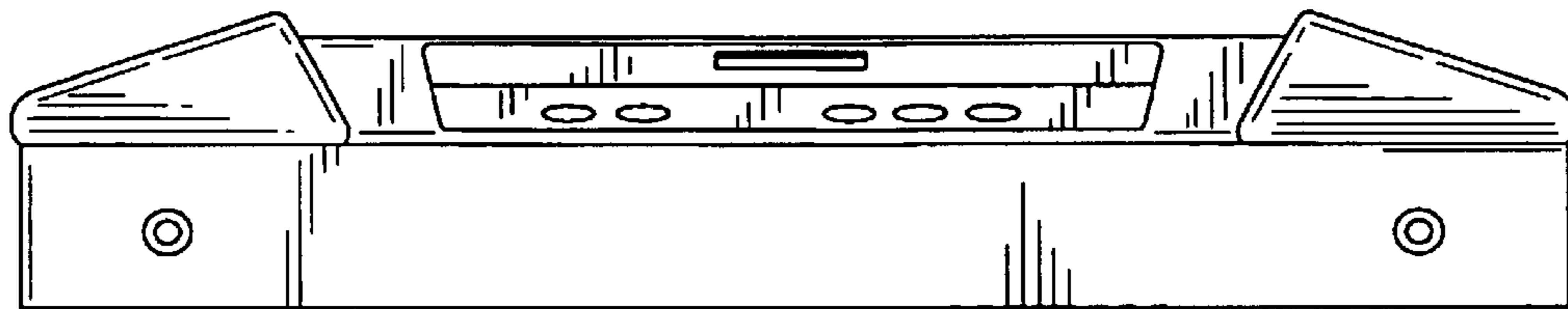


FIG. 6

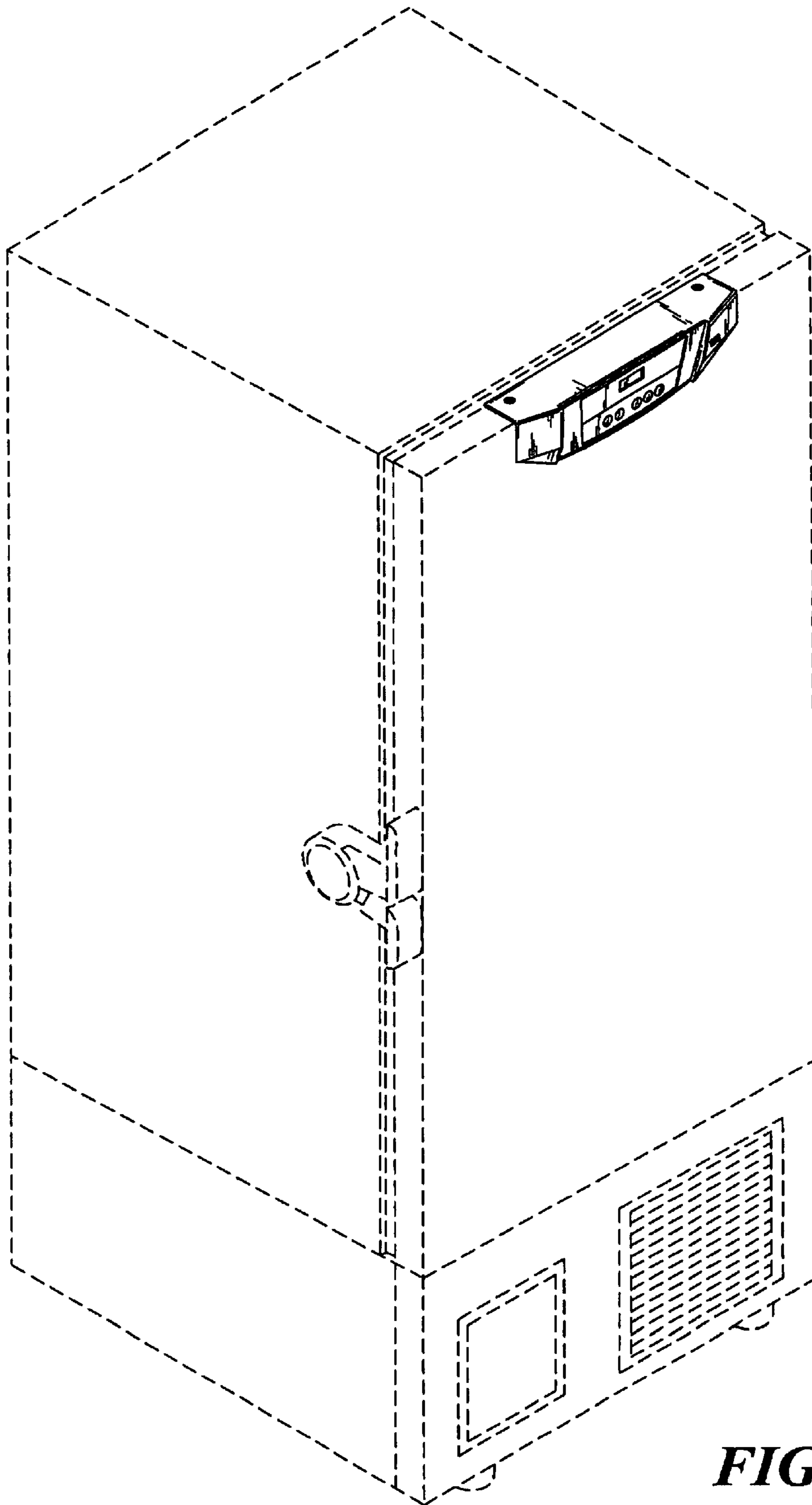


FIG. 7

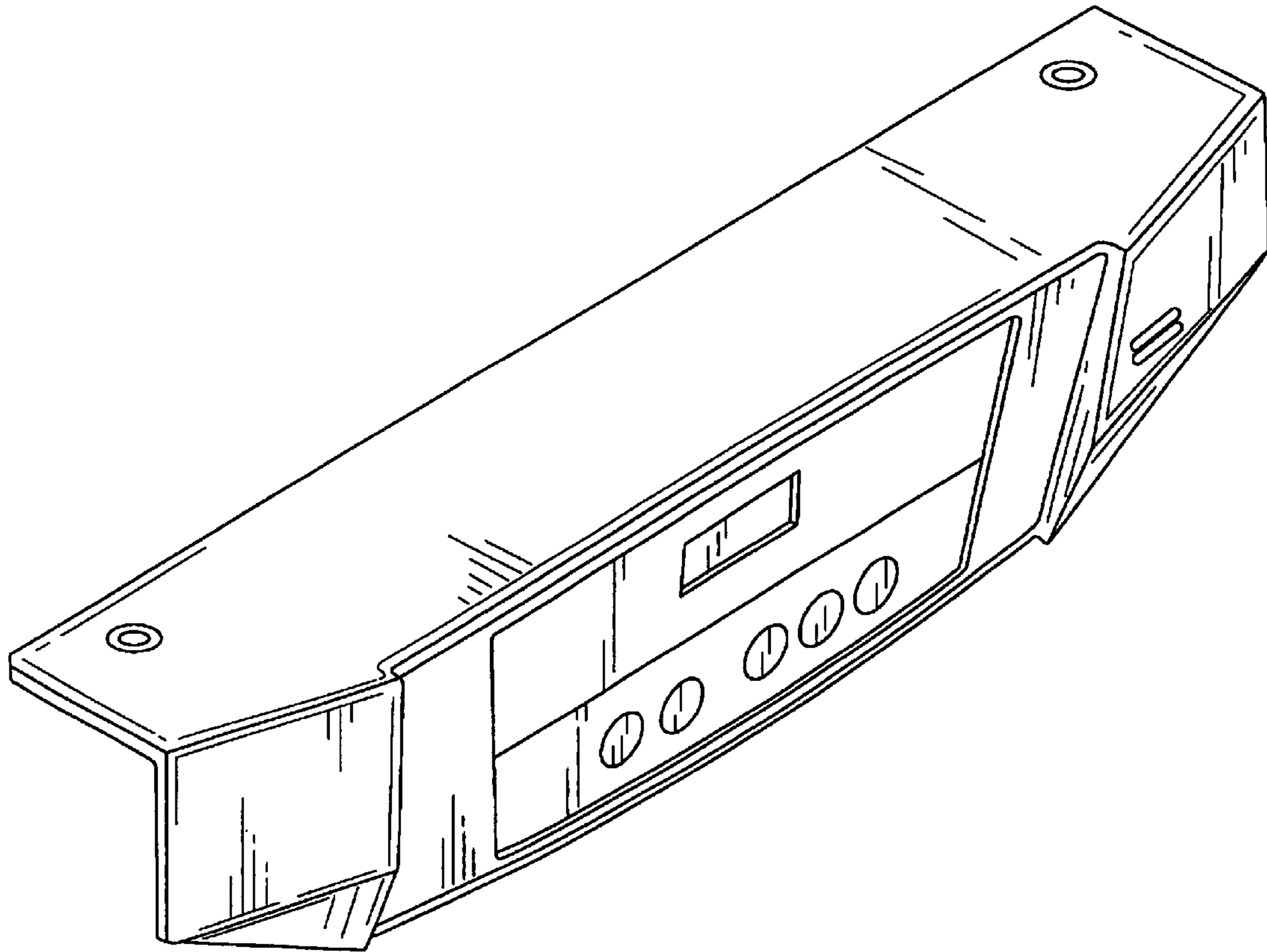


FIG. 8