



US00D518489S

(12) **United States Design Patent**
Jaszewski et al.

(10) **Patent No.:** **US D518,489 S**

(45) **Date of Patent:** **** Apr. 4, 2006**

(54) **MARINE DRIVE HOUSING**

(75) Inventors: **Wayne M. Jaszewski**, Jackson, WI (US); **John F. Zebley, Jr.**, Fond du Lac, WI (US)

(73) Assignee: **Brunswick Corporation**, Lake Forest, IL (US)

(**) Term: **14 Years**

(21) Appl. No.: **29/199,579**

(22) Filed: **Feb. 17, 2004**

(51) **LOC (8) Cl.** **15-01**

(52) **U.S. Cl.** **D15/4**

(58) **Field of Classification Search** D15/1-5;
440/32, 49, 53, 57, 61, 900

See application file for complete search history.

(56) **References Cited**

U.S. PATENT DOCUMENTS

D179,902 S	*	3/1957	Kiekhaefer	D15/4
D297,846 S	*	9/1988	Stevens et al.	D15/4
2002/0115359 A1	*	8/2002	Bland et al.	440/57

OTHER PUBLICATIONS

- Exhibit A—Volvo Penta sterndrive system.
- Exhibit B—Volvo Penta Ocean Series XDP sterndrive.
- Exhibit C—OMC Cobra sterndrive (1982).

Exhibit D—Toyota SEAN sterndrive (1999).

Exhibit E—Konrad 520 sterndrive (Current).

Exhibit F—Volvo DP-S sterndrive (Current).

Exhibit G—Chrysler 400 sterndrive (1960's).

* cited by examiner

Primary Examiner—Caron D. Veynar

Assistant Examiner—Maurice Stevens

(74) *Attorney, Agent, or Firm*—William D. Lanyi

(57) **CLAIM**

The ornamental design for a marine drive housing, as shown and described.

DESCRIPTION

FIG. 1 is a right rear perspective view of a marine drive housing showing our new design;

FIG. 2 is a rear view thereof;

FIG. 3 is a front view thereof;

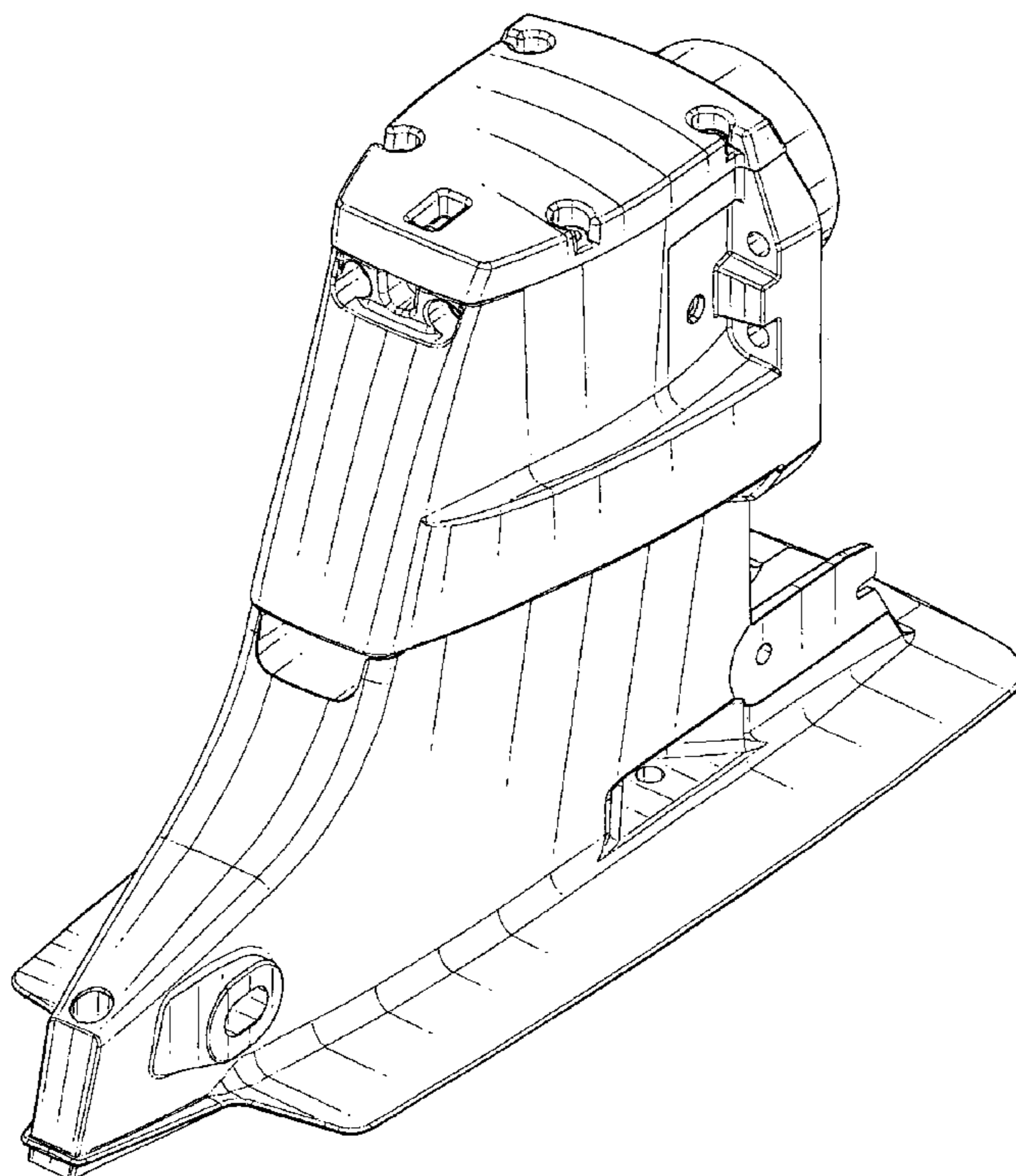
FIG. 4 is a right side elevation view thereof;

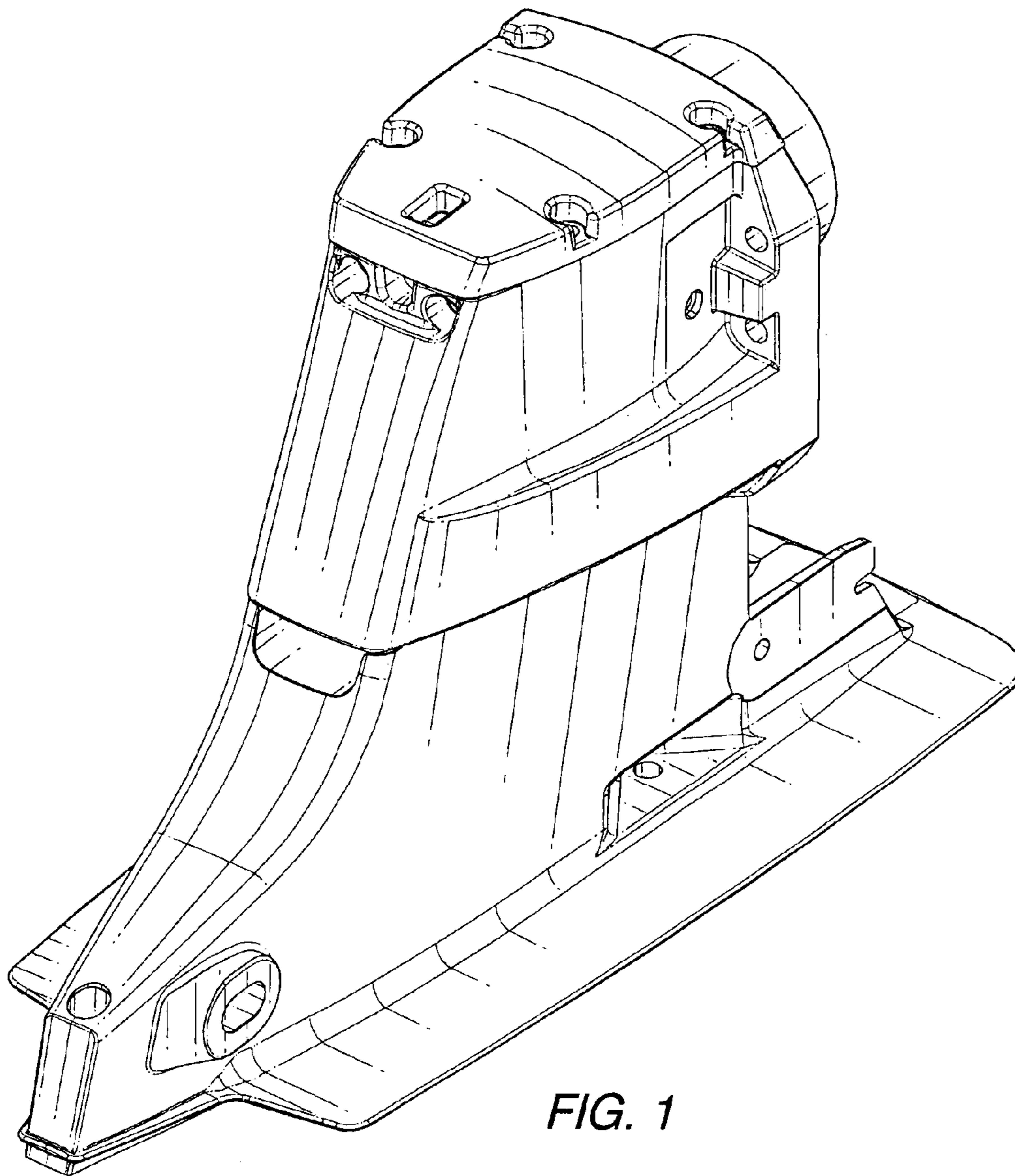
FIG. 5 is a left side elevation view thereof;

FIG. 6 is a top view thereof; and,

FIG. 7 is a bottom view thereof.

1 Claim, 7 Drawing Sheets





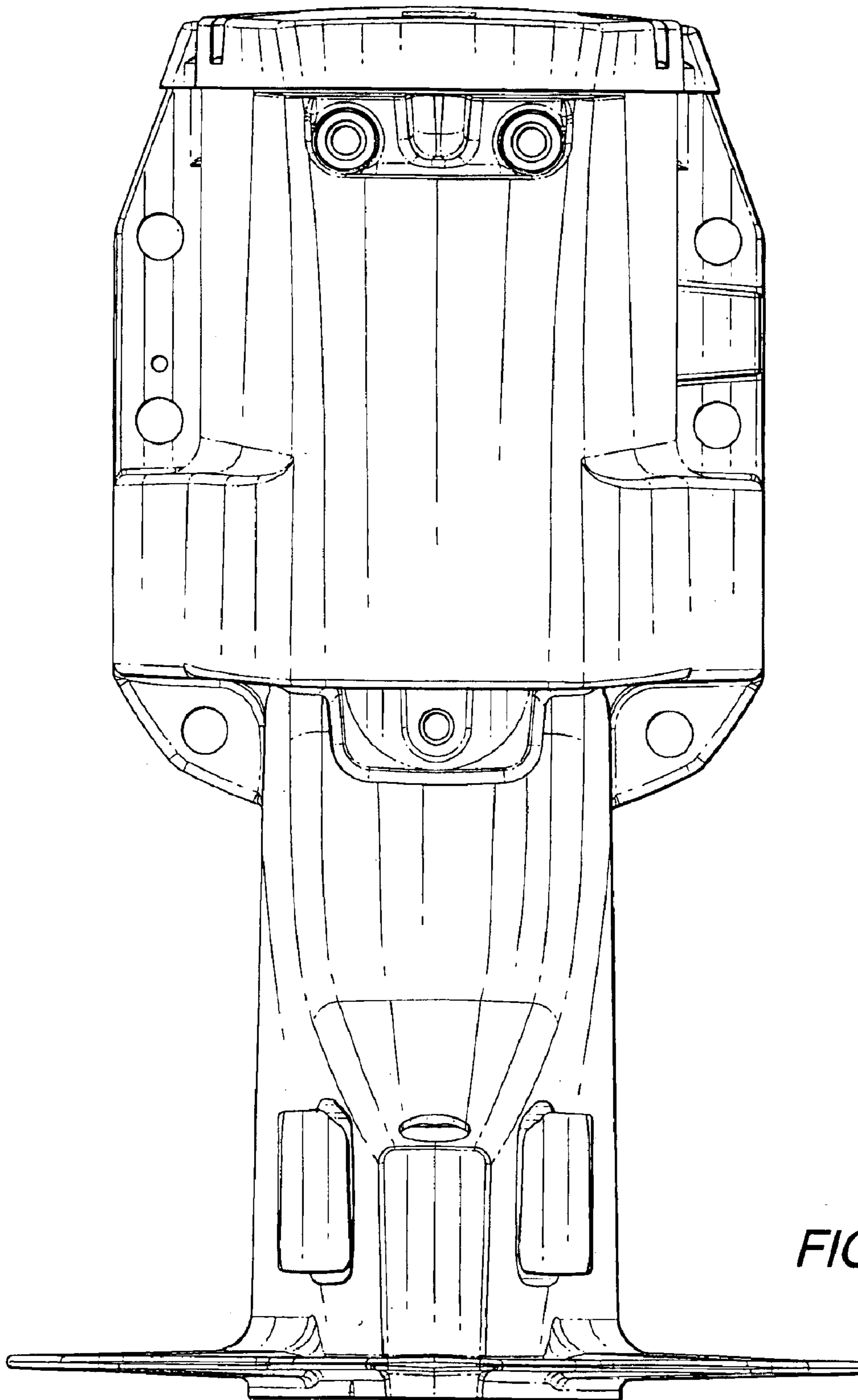


FIG. 2

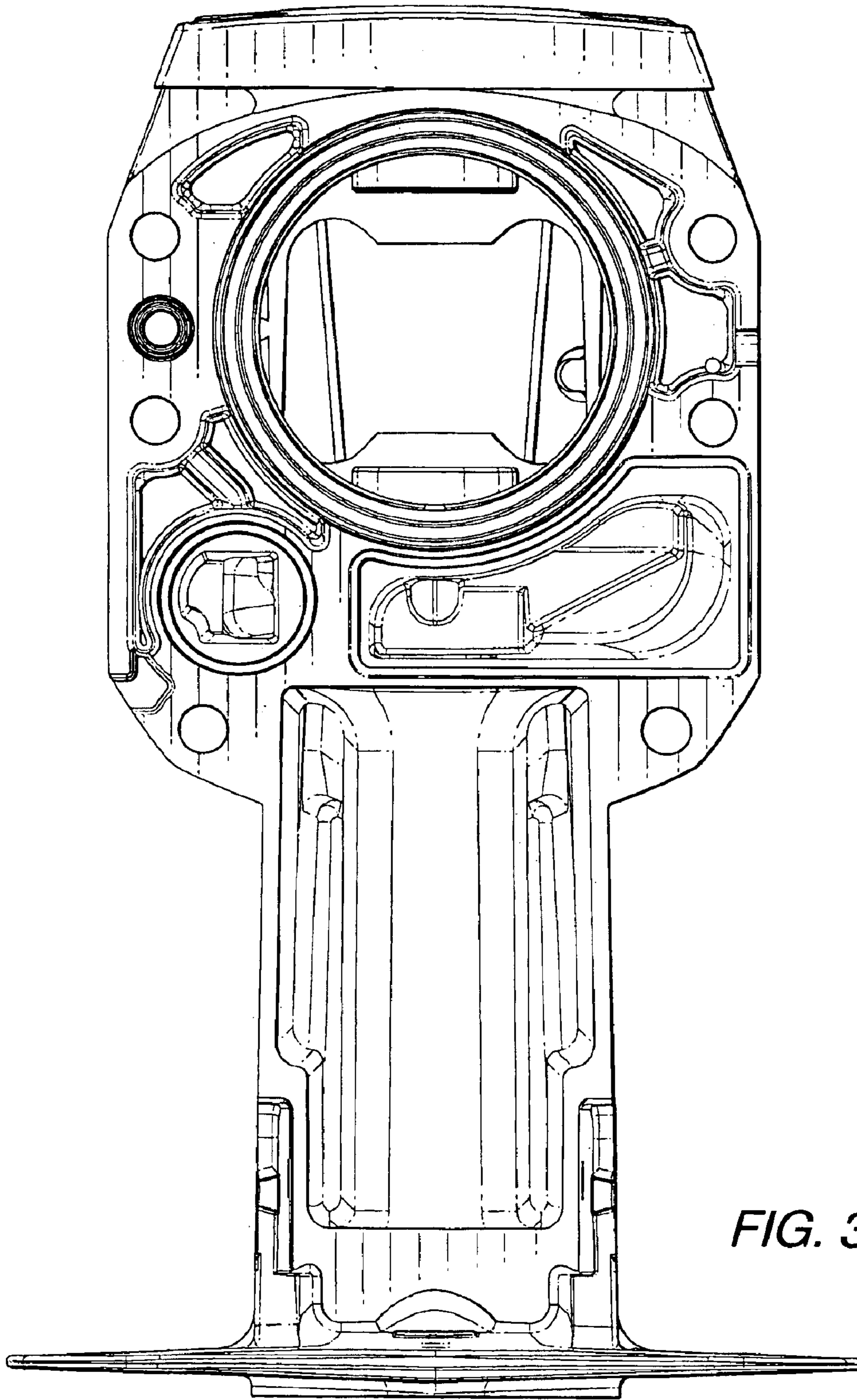


FIG. 3

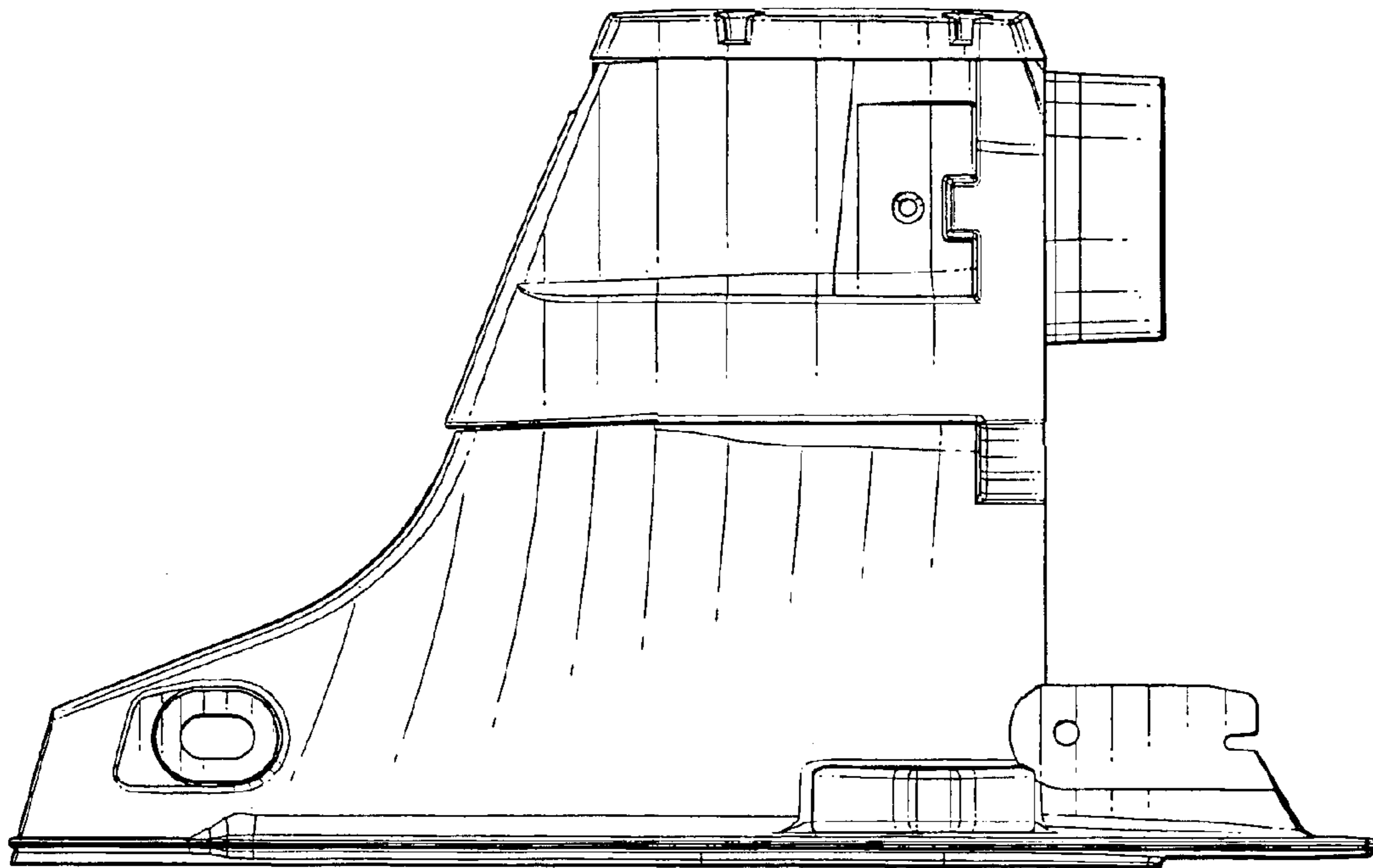


FIG. 4

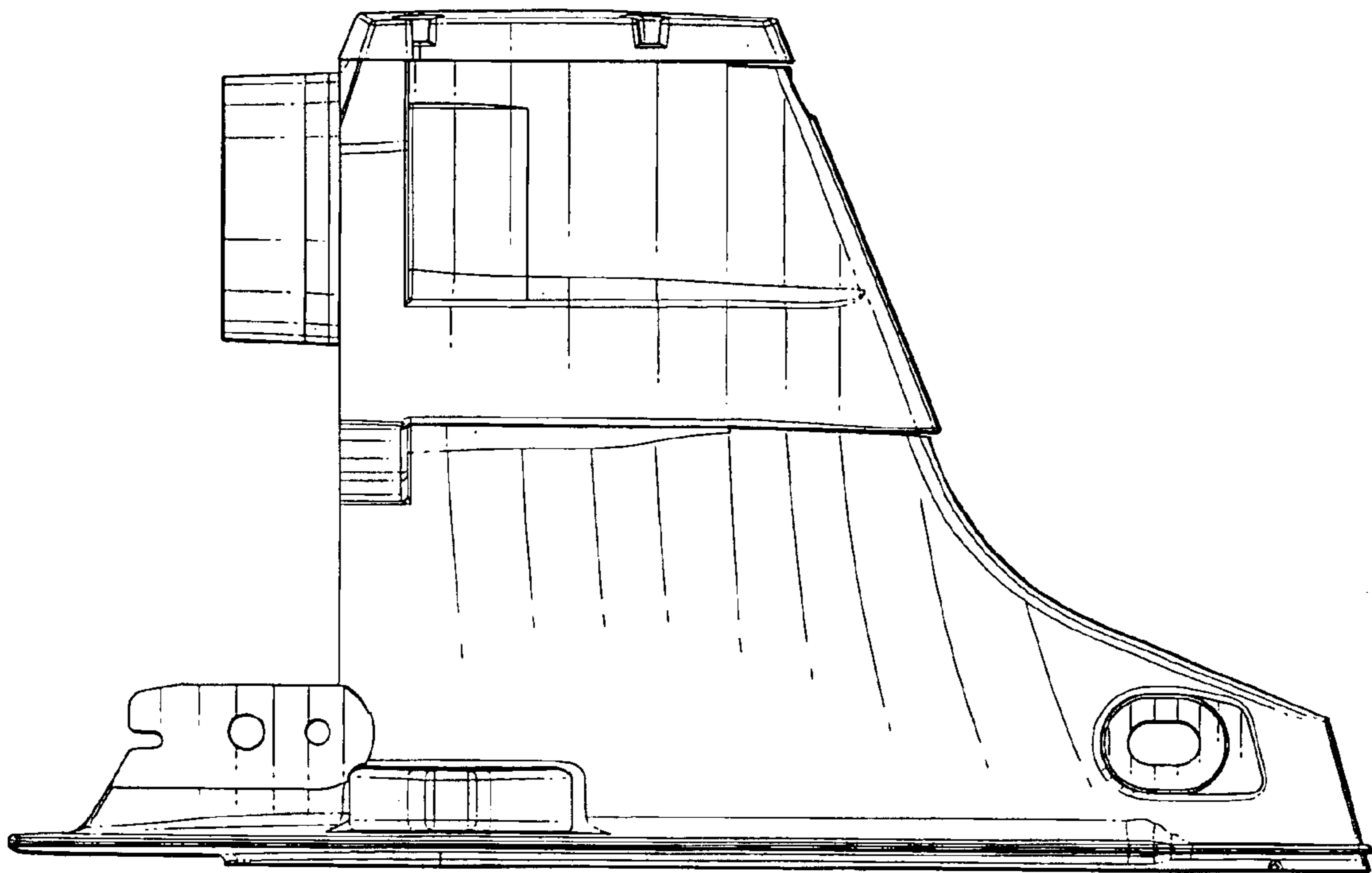


FIG. 5

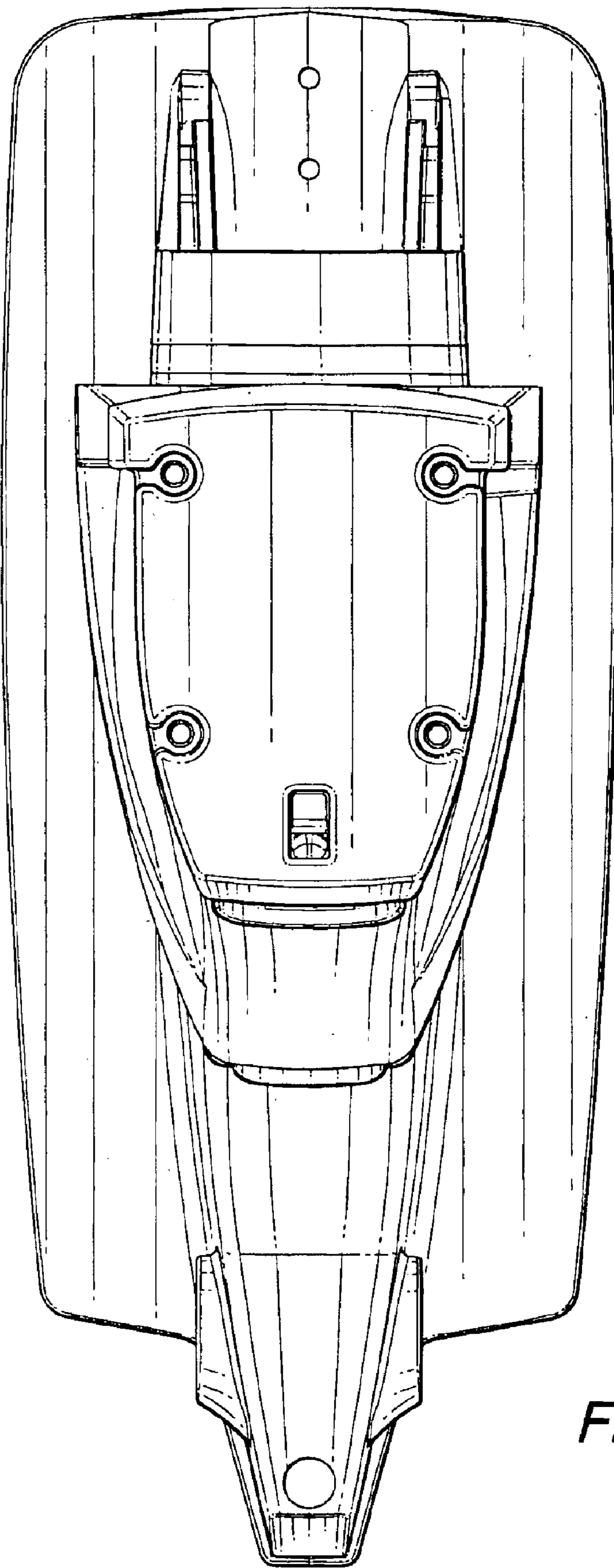


FIG. 6

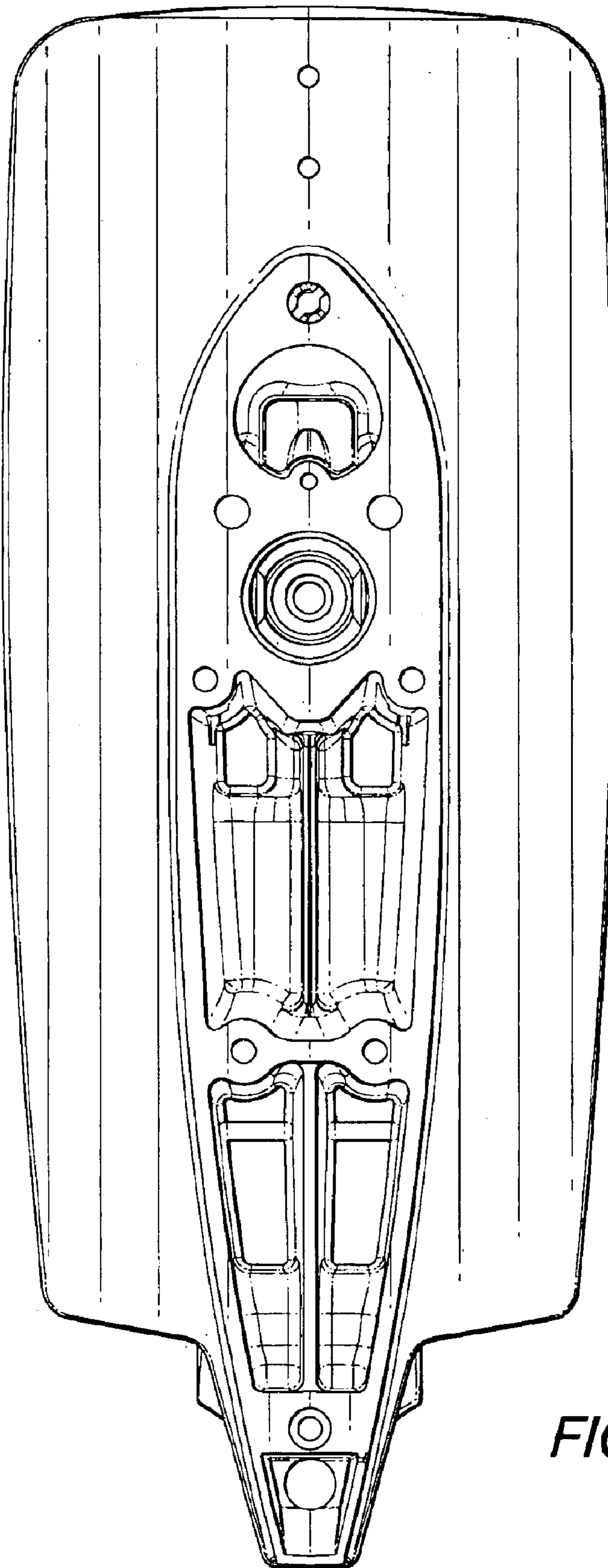


FIG. 7