



US00D518488S

(12) **United States Design Patent**
Rodarte

(10) **Patent No.:** **US D518,488 S**

(45) **Date of Patent:** **** Apr. 4, 2006**

(54) **DIGITAL MUSIC PLAYER**

(75) **Inventor:** **Luis Ernesto Elizalde Rodarte,**
Durham, NC (US)

(73) **Assignee:** **International Business Machines Corporation,** Armonk, NY (US)

(**) **Term:** **14 Years**

(21) **Appl. No.:** **29/216,255**

(22) **Filed:** **Oct. 29, 2004**

(51) **LOC (8) Cl.** **14-03**

(52) **U.S. Cl.** **D14/496; D14/156; D14/160**

(58) **Field of Classification Search** D14/496,
D14/156, 160, 162, 163, 168, 188.194, 433,
D14/435, 474, 478, 135, 265; 369/1, 2, 24.01;
370/342-344; 455/347-351; 463/1, 30-47;
273/148 B, 260, 193

See application file for complete search history.

(56) **References Cited**

U.S. PATENT DOCUMENTS

| | | | | |
|----------------|---------|-----------------|-------|---------|
| D371,357 S * | 7/1996 | Nakamura | | D14/136 |
| D441,735 S * | 5/2001 | Katayama | | D14/156 |
| 6,400,351 B1 * | 6/2002 | Ishizawa et al. | | 345/156 |
| 6,639,577 B1 * | 10/2003 | Eberhard | | 345/102 |
| 6,704,814 B1 * | 3/2004 | Liu et al. | | 710/62 |
| D494,562 S * | 8/2004 | Lee | | D14/156 |
| D505,428 S * | 5/2005 | Yagihashi | | D14/496 |
| D507,003 S * | 7/2005 | Pai et al. | | D14/496 |

* cited by examiner

Primary Examiner—Prabhakar Deshmukh

(74) *Attorney, Agent, or Firm*—James R. Nock

(57) **CLAIM**

The ornamental design for a digital music player, as shown and described.

DESCRIPTION

FIG. 1 is a perspective view of the digital music player in a closed configuration;

FIG. 2 is a front view of the digital music player in a closed configuration;

FIG. 3 is a right view of the digital music player in a closed configuration;

FIG. 4 is a back view of the digital music player in a closed configuration;

FIG. 5 is a left view of the digital music player in a closed configuration;

FIG. 6 is a top view of the digital music player in a closed configuration;

FIG. 7 is a bottom view of the digital music player in a closed configuration;

FIG. 8 is a perspective view of the digital music player in an open configuration;

FIG. 9 is a right side view of the digital music player of FIG. 3 in an open configuration;

FIG. 10 is a front view of the digital music player of FIG. 2 in an open configuration;

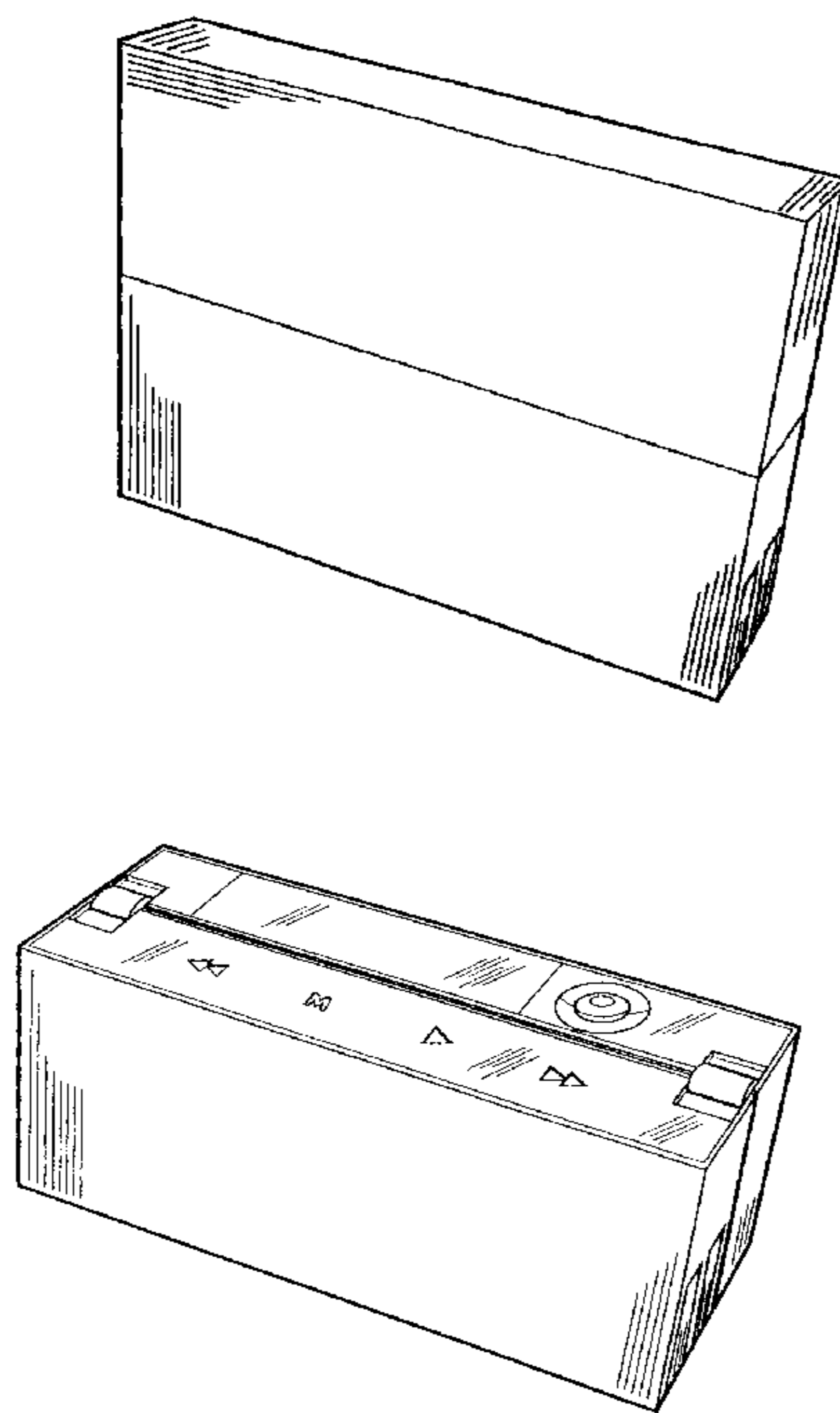
FIG. 11 is a left side view of the digital music player of FIG. 5 in an open configuration;

FIG. 12 is a back view of the digital music player of FIG. 4 in an open configuration;

FIG. 13 is a top view of the digital music player in an open configuration; and,

FIG. 14 is a bottom view of the digital music player in an open configuration.

1 Claim, 14 Drawing Sheets



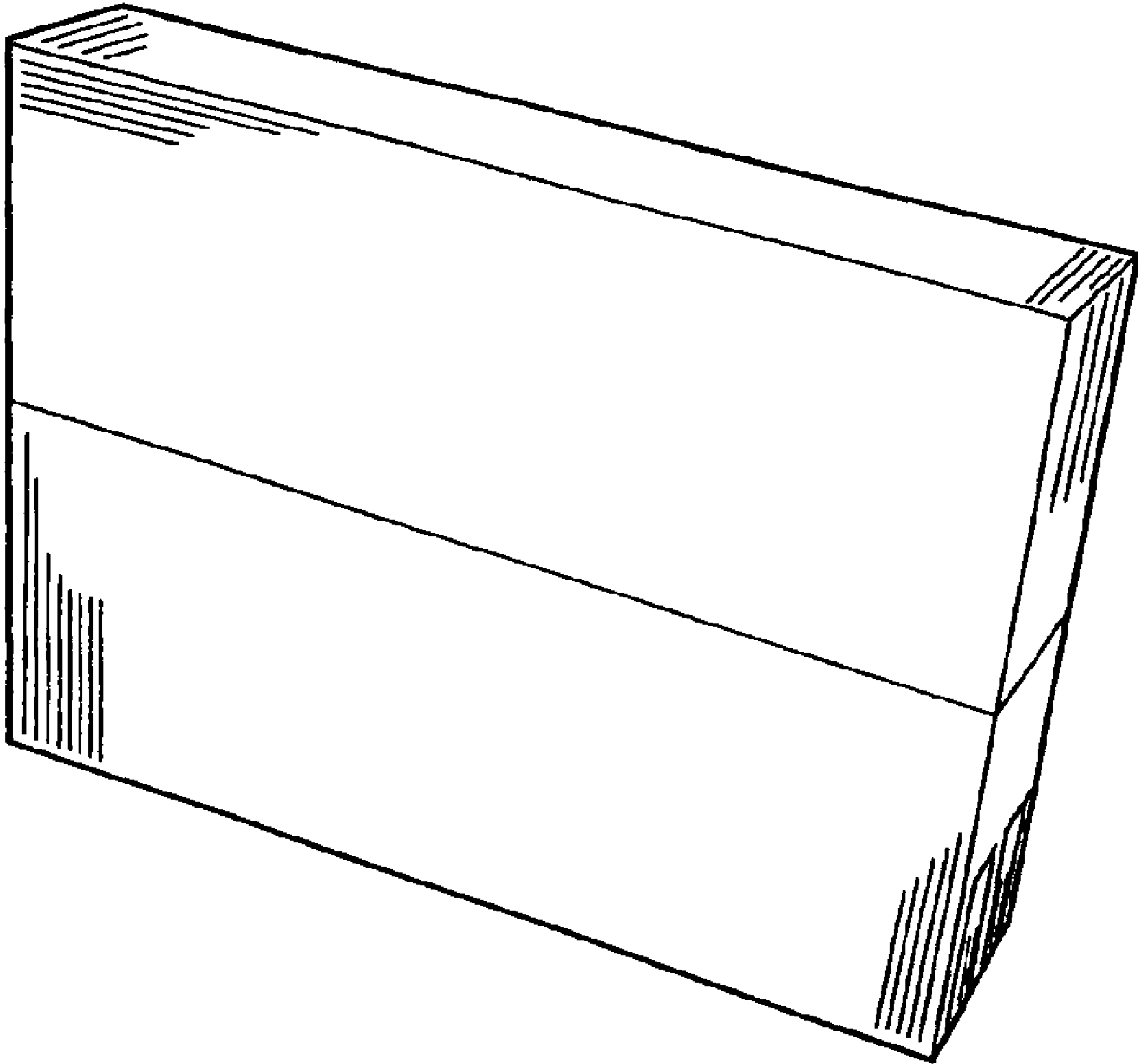


Fig. 1

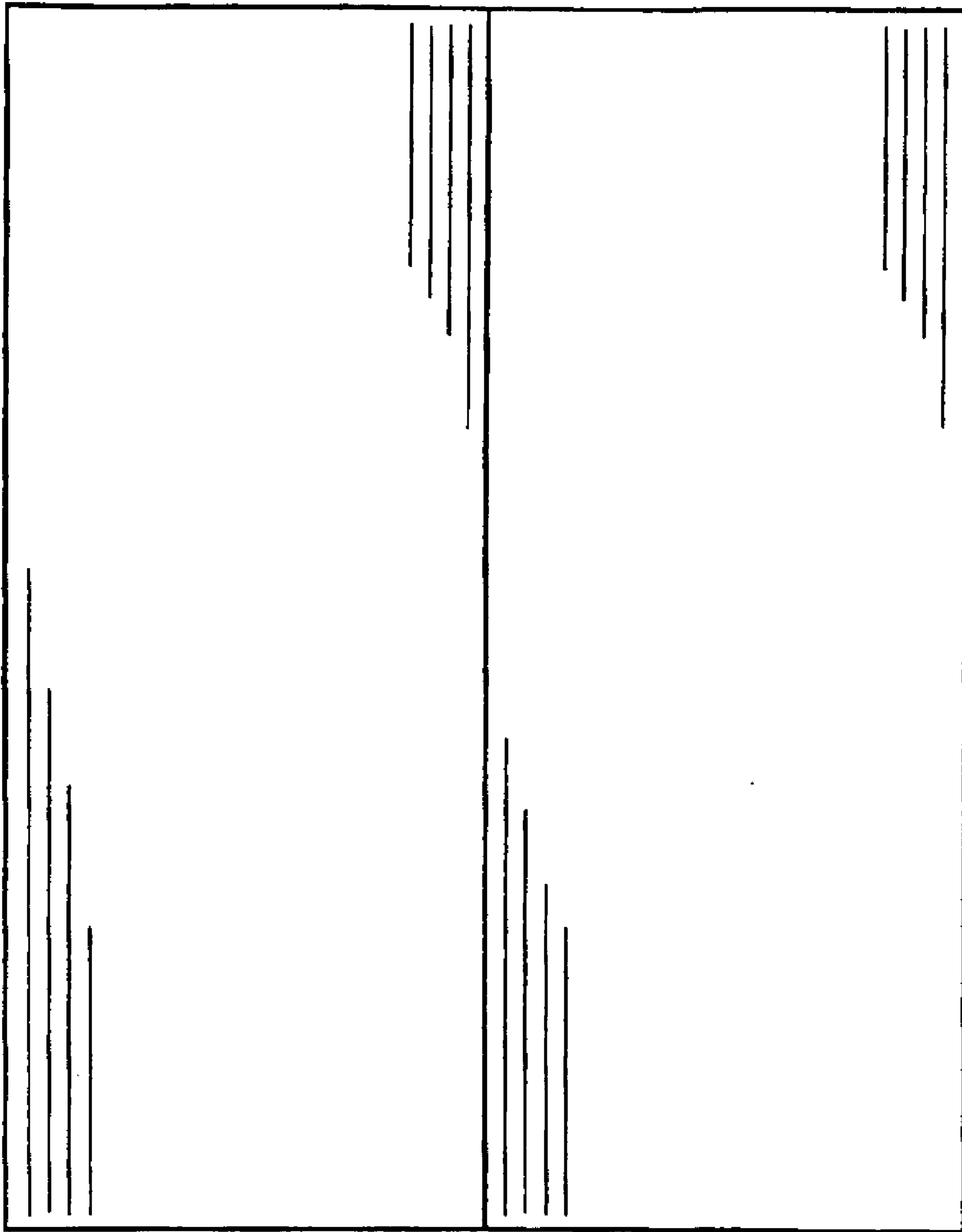


Fig. 2

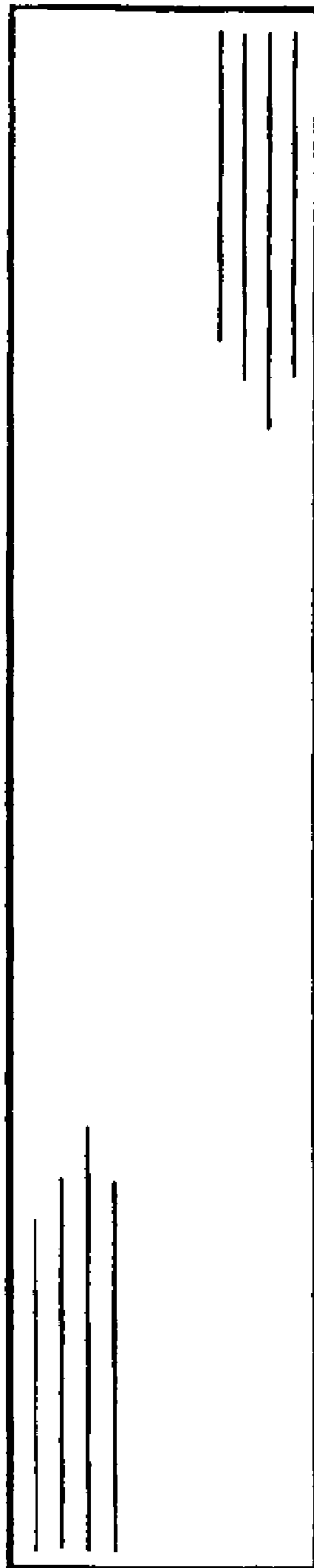


Fig. 3

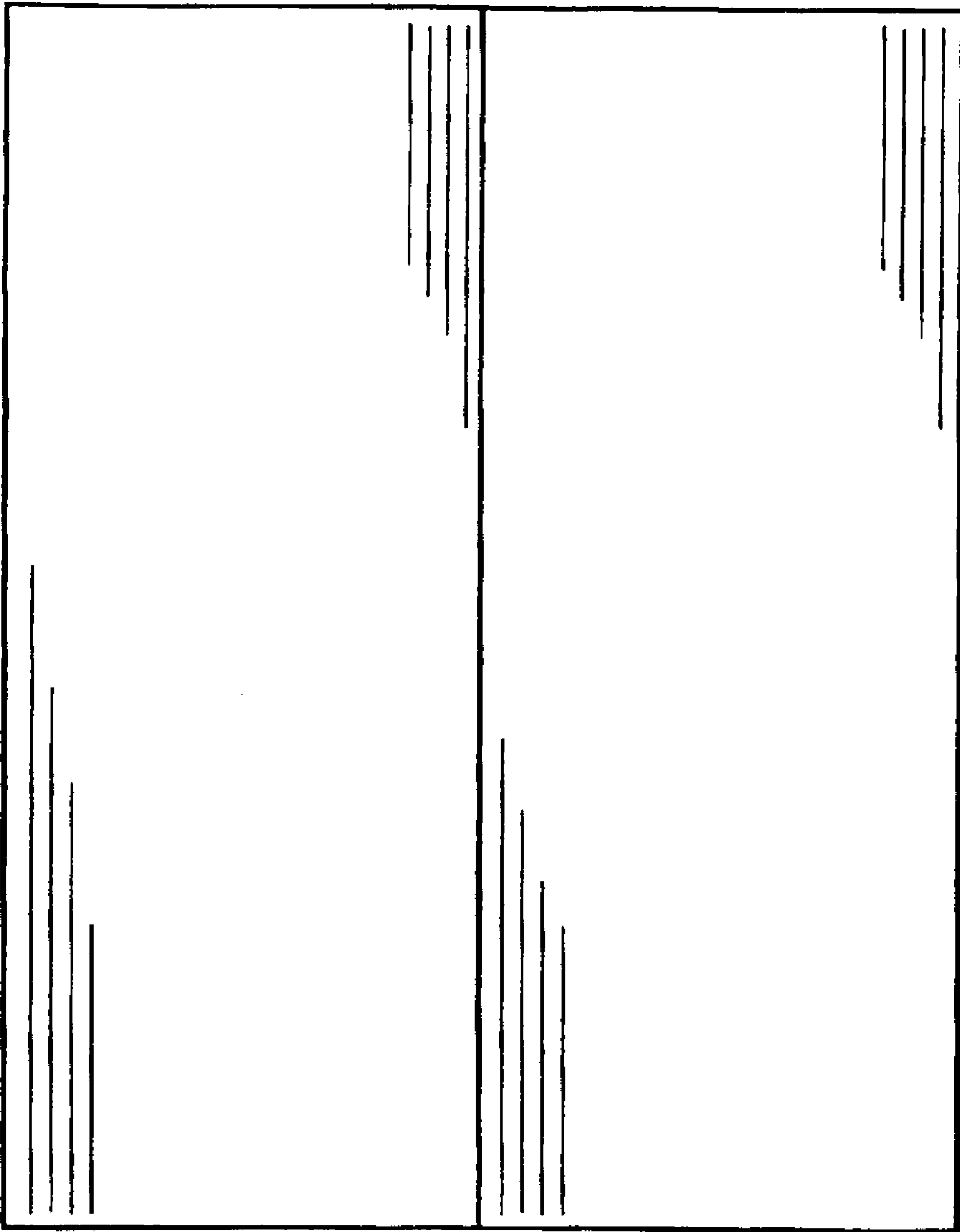


Fig. 4



Fig. 5

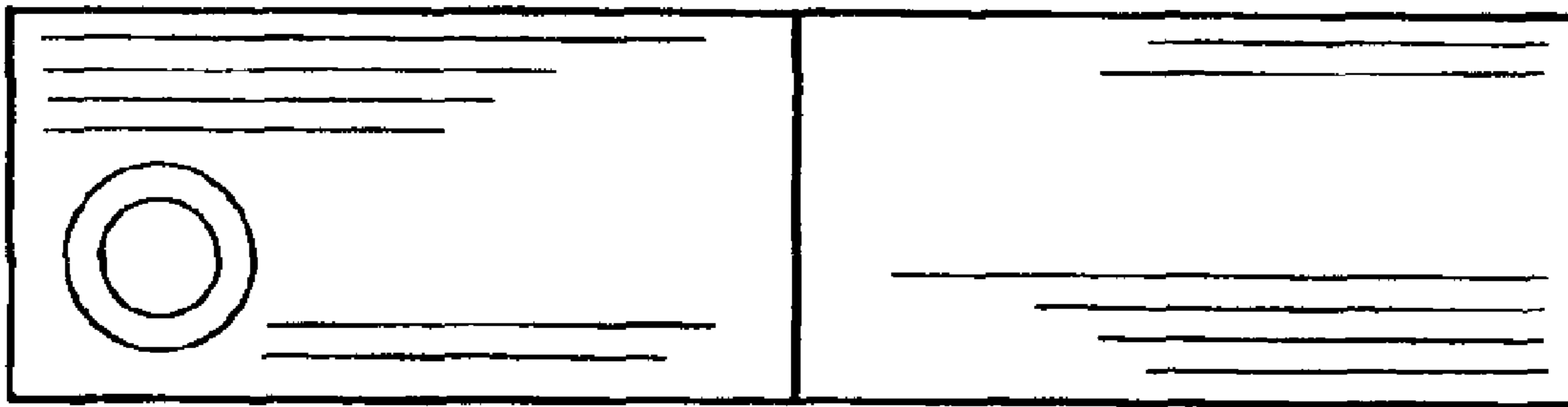


Fig. 6

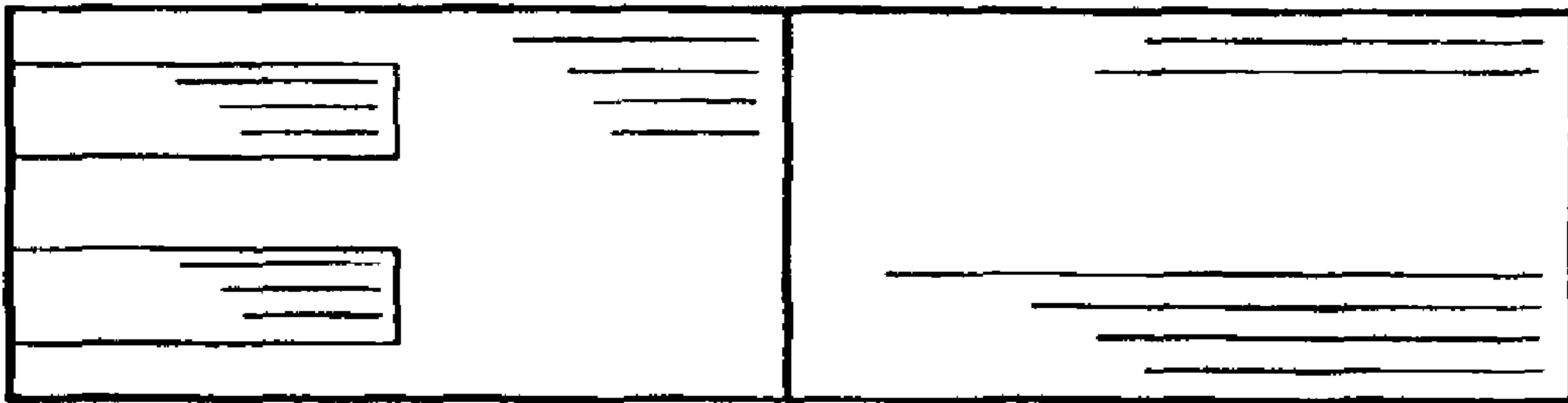


Fig. 7

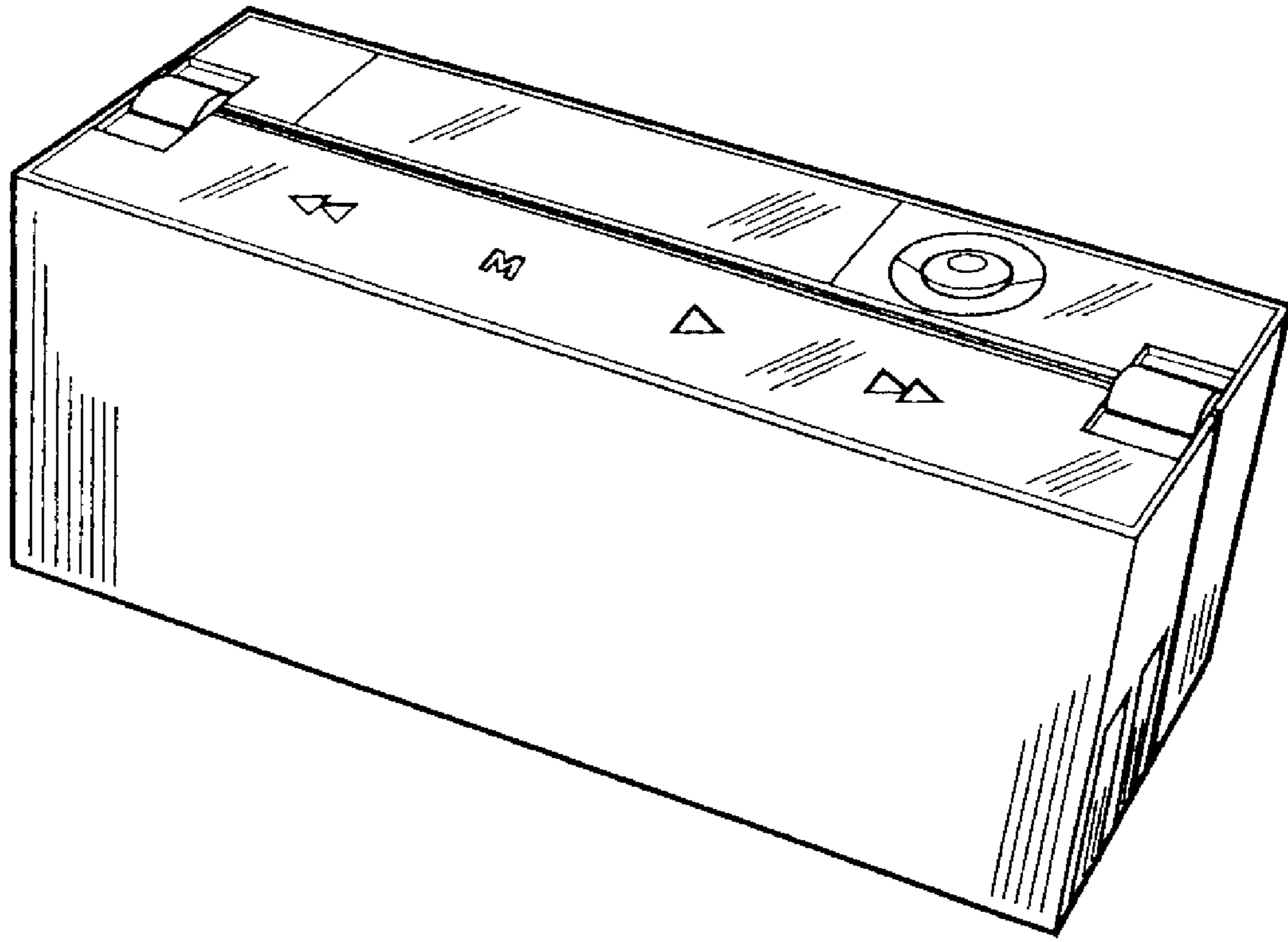


Fig. 8

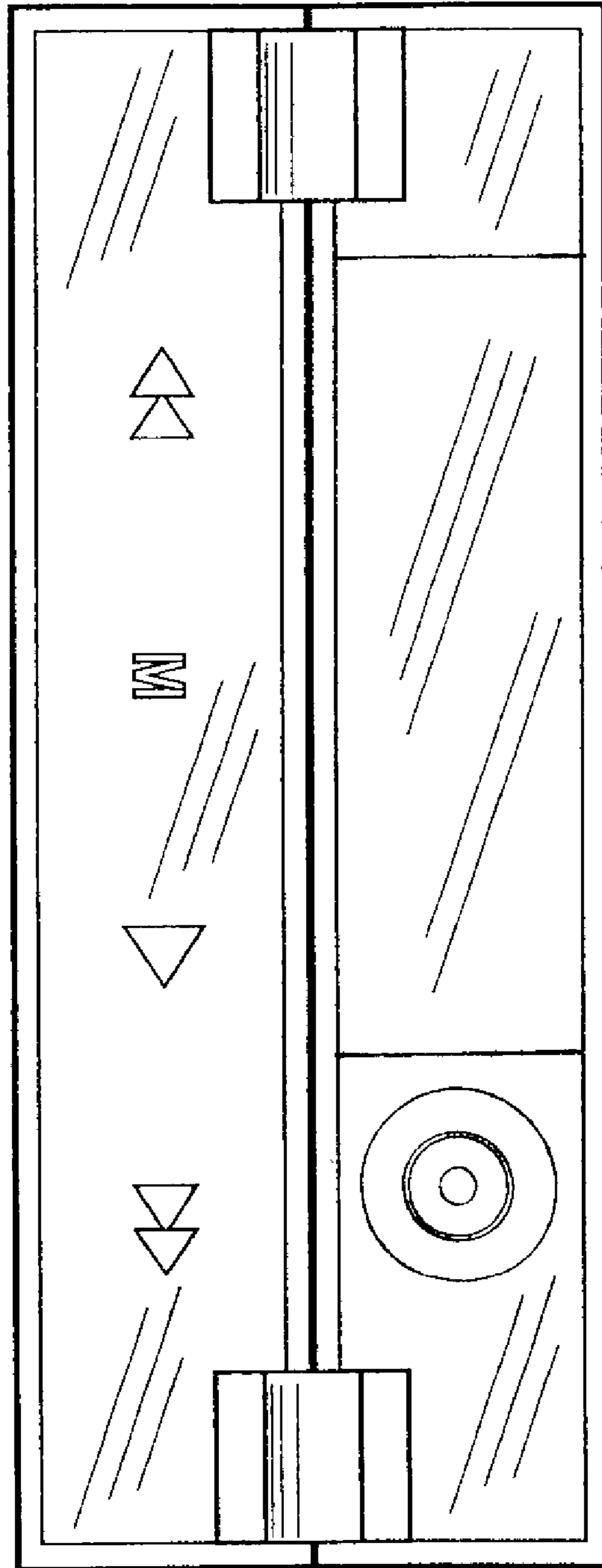


Fig. 9

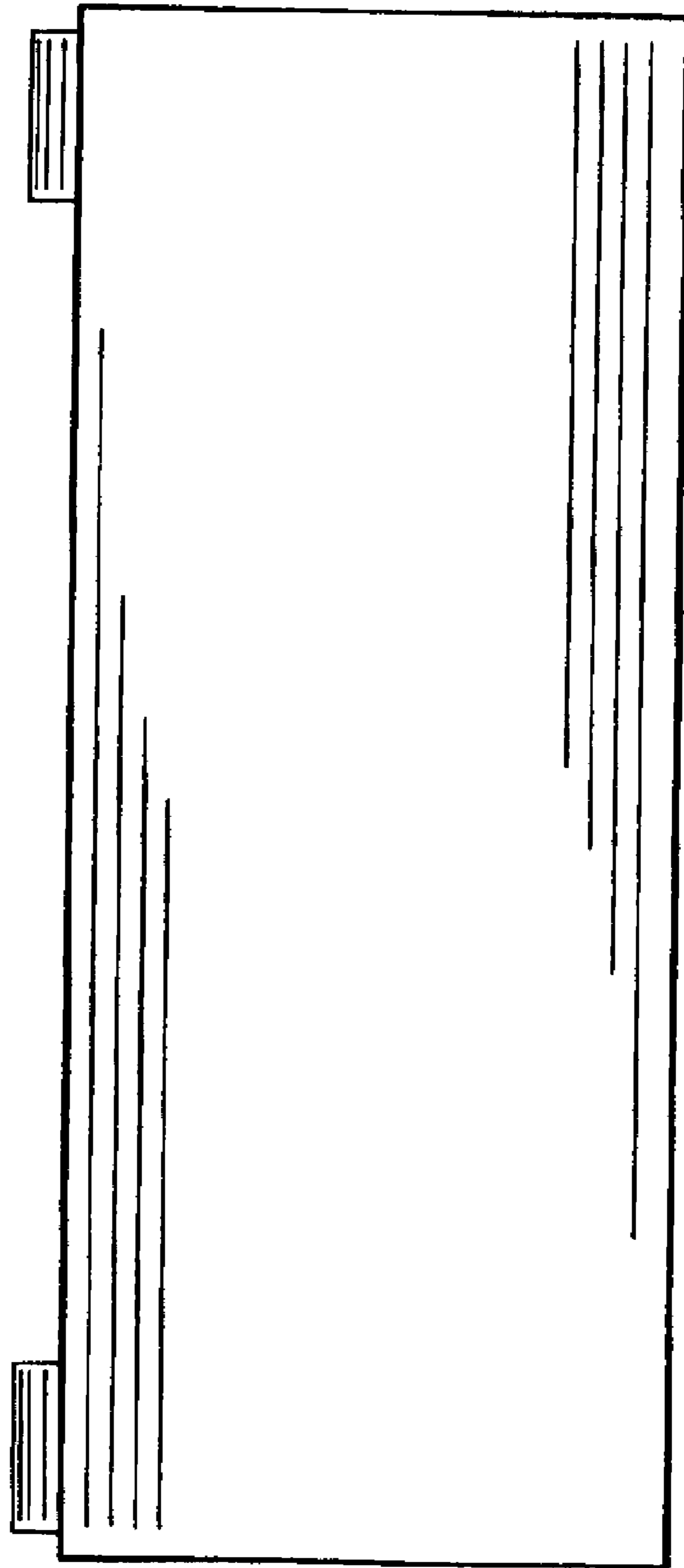


Fig. 10

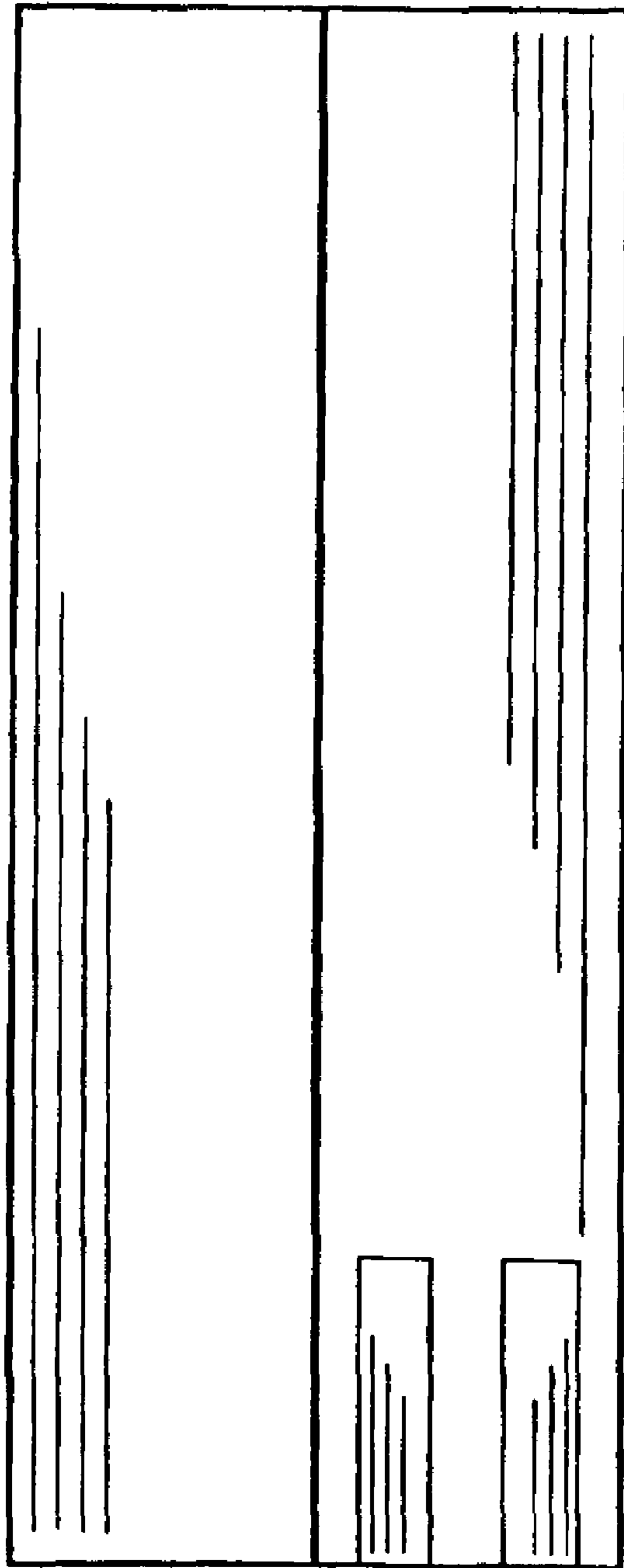


Fig. 11

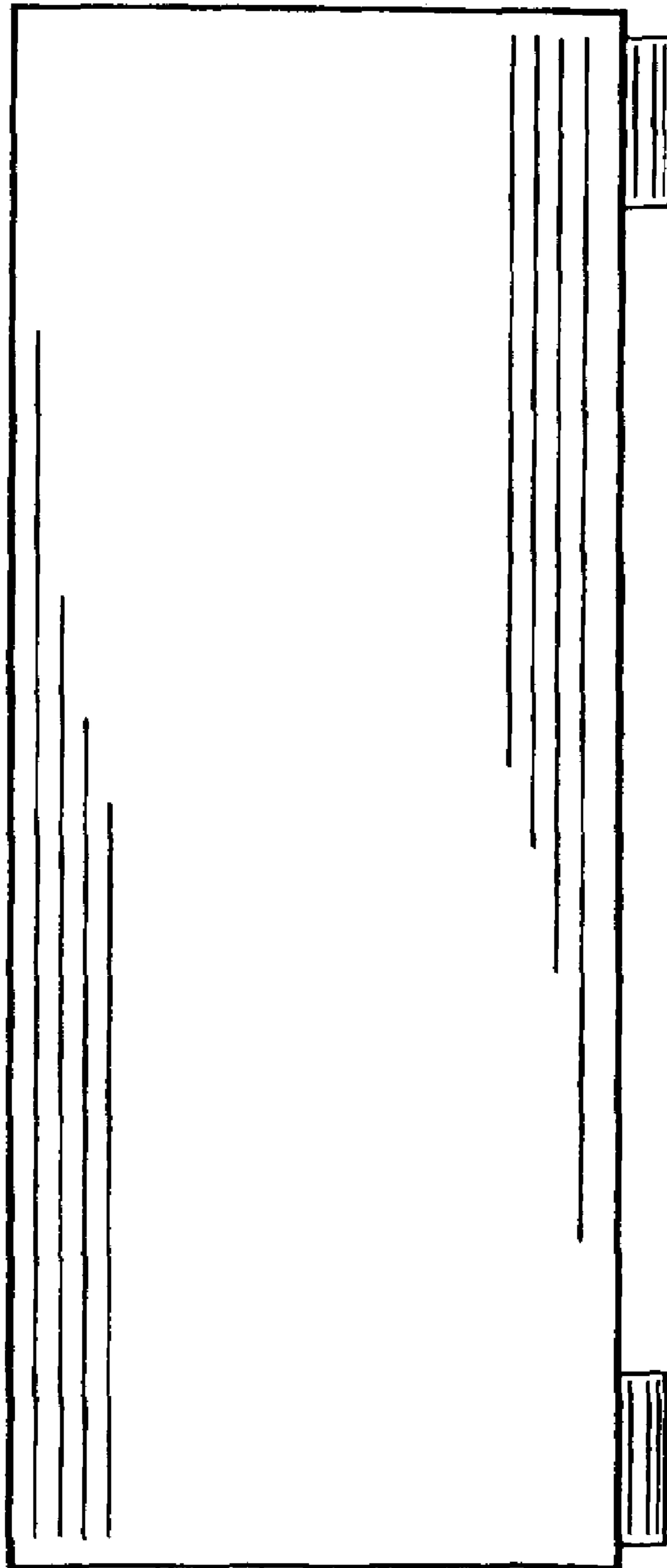


Fig. 12

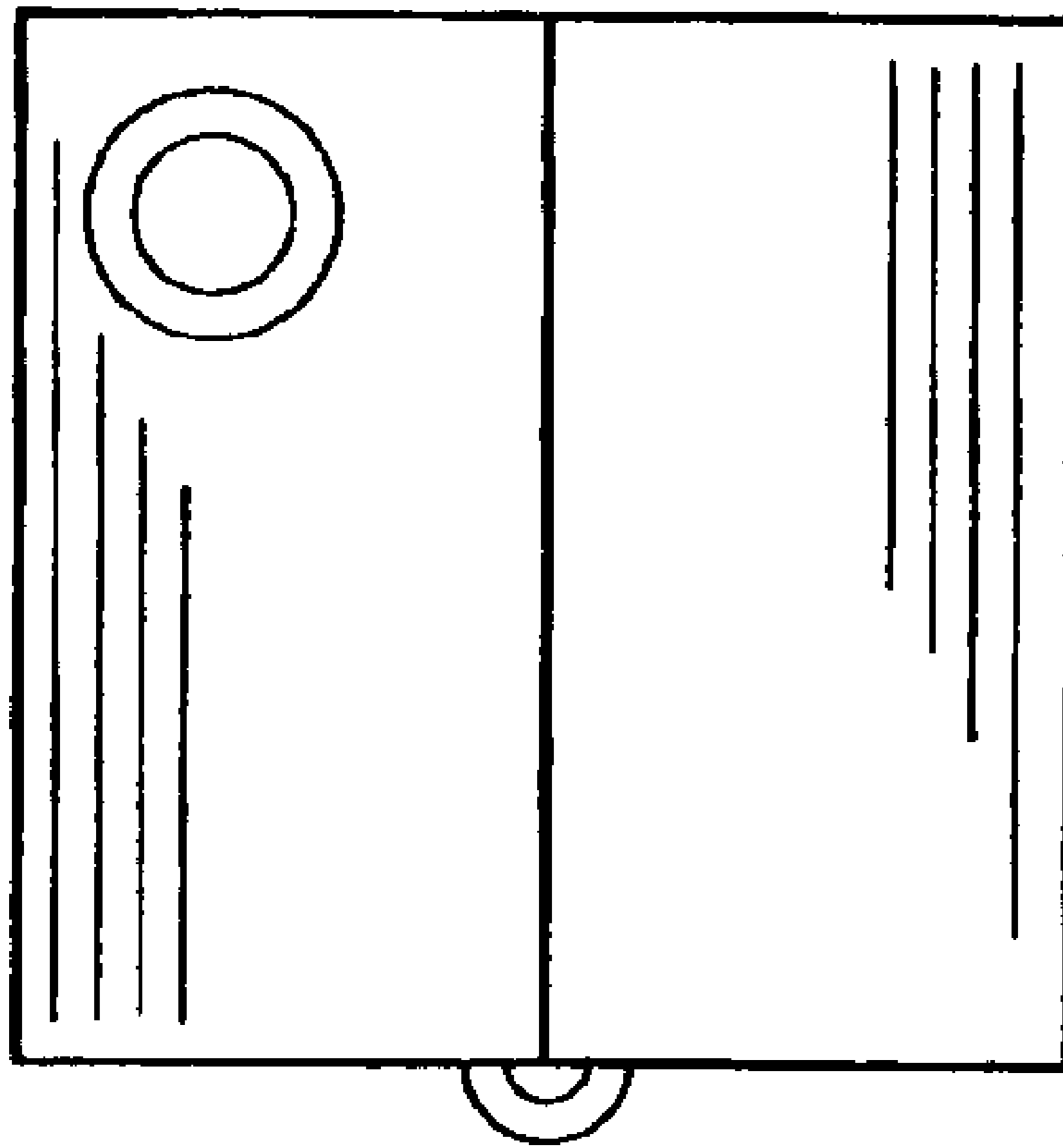


Fig. 13

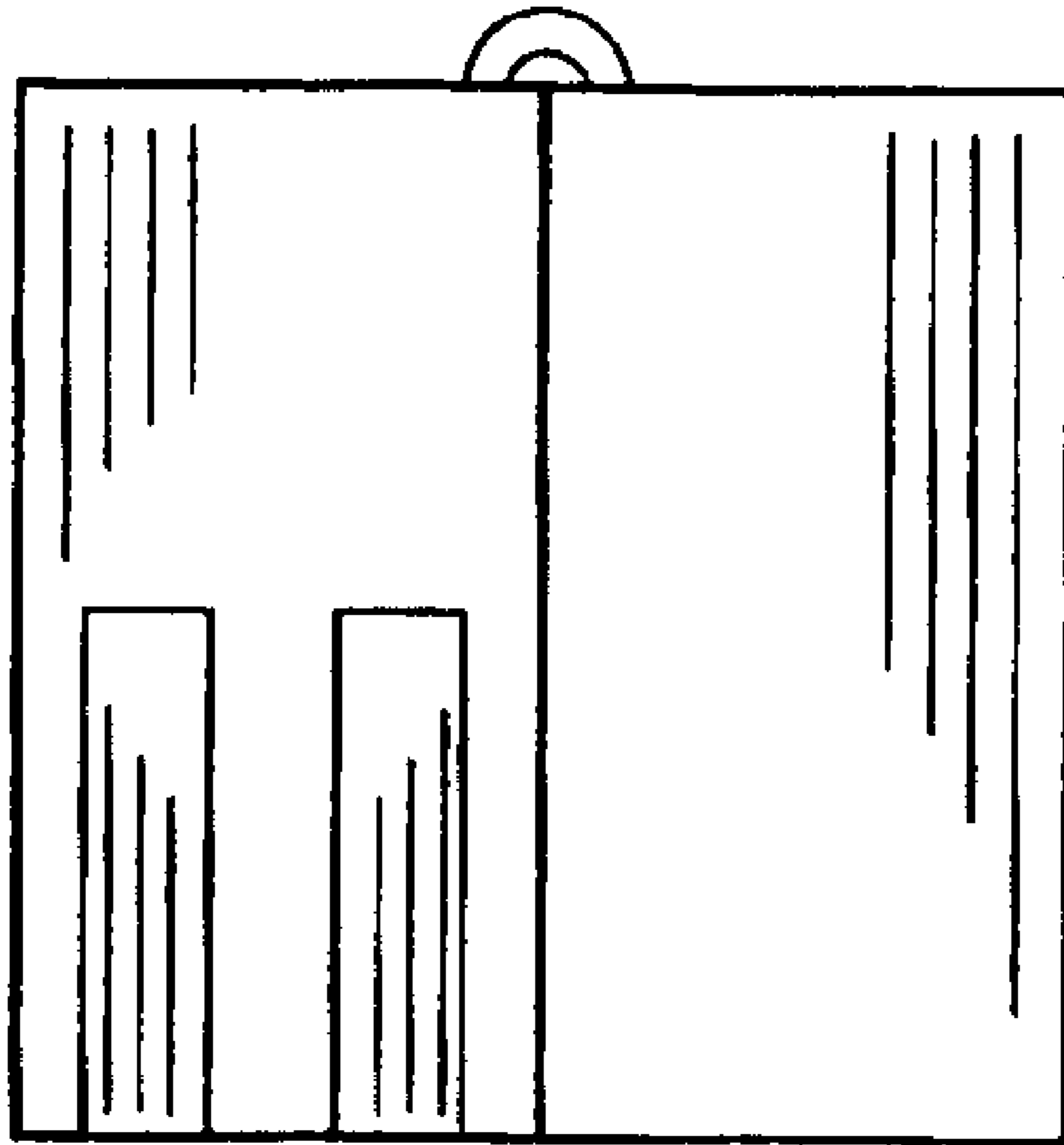


Fig. 14