



US00D518484S

(12) **United States Design Patent**
Kanayama

(10) **Patent No.:** **US D518,484 S**
(45) **Date of Patent:** **** Apr. 4, 2006**

(54) **PERSONAL COMPUTER**

(75) Inventor: **Masaki Kanayama**, Tachikawa (JP)

(73) Assignee: **Fujitsu Limited**, Kawasaki (JP)

(**) Term: **14 Years**

(21) Appl. No.: **29/223,164**

(22) Filed: **Feb. 11, 2005**

(30) **Foreign Application Priority Data**

Aug. 18, 2004 (JP) 2004-024672

(51) **LOC (8) Cl.** **14-02**

(52) **U.S. Cl.** **D14/439**

(58) **Field of Classification Search** D14/439,
D14/432, 447, 315-16, 318; 301/5.309; 16/340,
16/337, 342, 367; 248/917-19; D8/399, 397,
D8/360; 361/681, 680; 403/166, 84, 91; 474/181-82;
D12/204; 411/399, 260, 960, 999, 11, 148
See application file for complete search history.

(56) **References Cited**

U.S. PATENT DOCUMENTS

957,655	A	*	5/1910	Chew	191/63
2,844,842	A	*	7/1958	Neilson	16/367
3,137,887	A	*	6/1964	Mannino et al.	16/2.1
3,615,070	A	*	10/1971	Charlton	248/415
D245,067	S	*	7/1977	Coldren	D8/397
4,500,060	A	*	2/1985	Anderson et al.	248/349.1
4,824,422	A	*	4/1989	Jocic	474/170
5,004,368	A	*	4/1991	Warga	403/166
D317,443	S	*	6/1991	Wilson et al.	D14/315

5,222,988	A	*	6/1993	Riley	16/2.1
D347,378	S	*	5/1994	Warner	D8/360
5,398,901	A	*	3/1995	Brodmann et al.	248/288.51
5,566,048	A	*	10/1996	Esterberg et al.	361/681
D380,703	S	*	7/1997	Hoffer et al.	D11/218
D417,204	S	*	11/1999	Liu et al.	D14/318
6,233,785	B1	*	5/2001	Tanahashi	16/337
6,297,947	B1	*	10/2001	Howell et al.	361/683
6,421,878	B1	*	7/2002	Kaneko et al.	16/330
6,453,509	B1	*	9/2002	Shin	16/340
6,618,903	B1	*	9/2003	Kim	16/337
D480,953	S	*	10/2003	Lee et al.	D8/399
D482,270	S	*	11/2003	Derilo	D8/397
2002/0097217	A1	*	7/2002	Ho	345/156

* cited by examiner

Primary Examiner—Alan P. Douglas

Assistant Examiner—Susan Moon Lee

(74) *Attorney, Agent, or Firm*—Staas & Halsey LLP

(57) **CLAIM**

The ornamental design for a personal computer, as shown and described.

DESCRIPTION

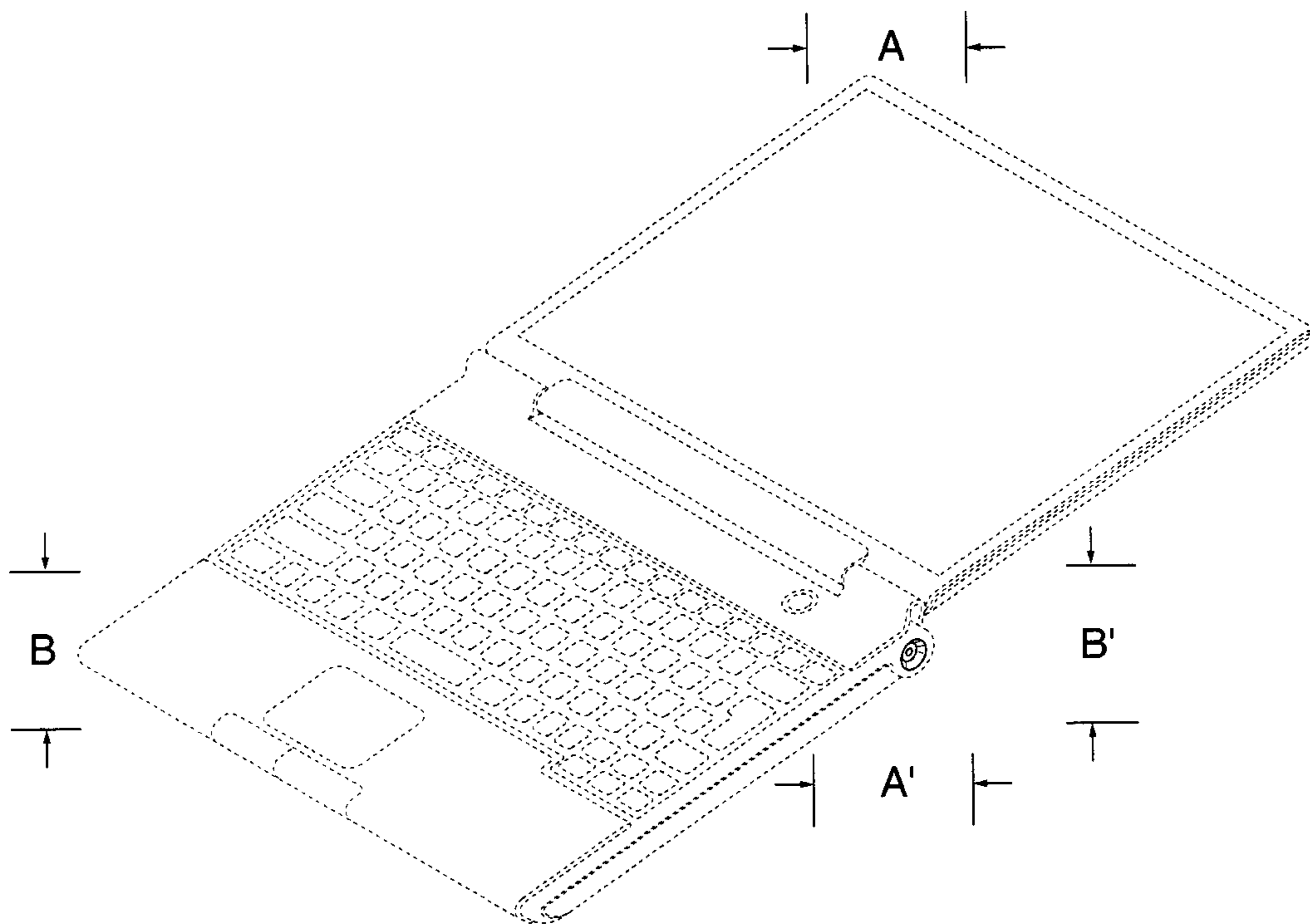
FIG. 1 is a perspective view of the front, bottom and right side of a personal computer showing my new design;

FIG. 2 is a right side view thereof; and,

FIG. 3 is an enlarged view thereof at A-A' and B-B' in FIG. 1.

The portions of the article in broken lines are shown for illustrative purposes only and form no part of the claimed design.

1 Claim, 3 Drawing Sheets



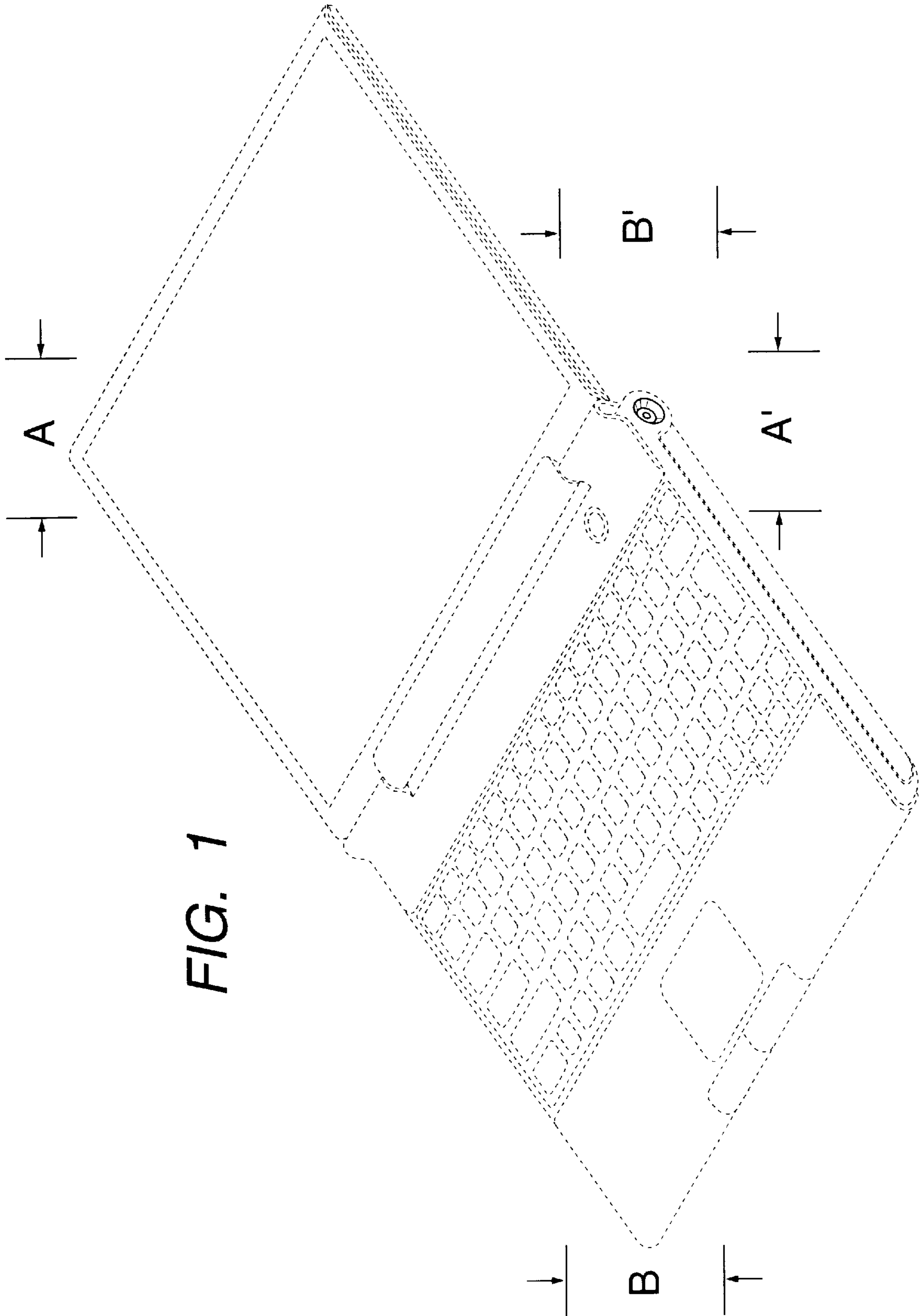


FIG. 2

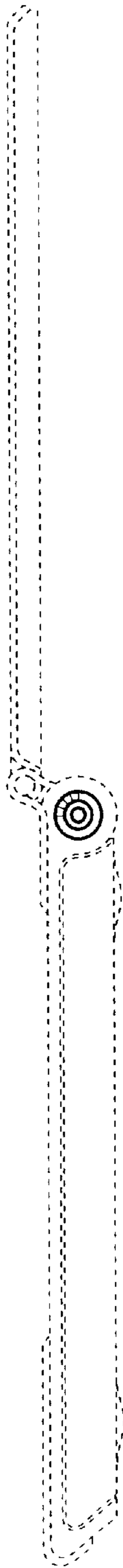


FIG. 3

