



US00D518482S

(12) **United States Design Patent**
Hodges et al.

(10) **Patent No.:** **US D518,482 S**

(45) **Date of Patent:** **** Apr. 4, 2006**

(54) **SCANNER**

(75) Inventors: **Douglas Hodges**, Boynton Beach, FL (US); **Timothy S. McDow**, Jupiter, FL (US); **Frank E. Fernandez**, Boynton Beach, FL (US); **William G. Siegel**, Wellington, FL (US); **Paul A. DiSalvo**, Lake Worth, FL (US)

(73) Assignee: **Cross Match Technologies, Inc.**, Palm Beach Gardens, FL (US)

(**) Term: **14 Years**

(21) Appl. No.: **29/219,777**

(22) Filed: **Dec. 22, 2004**

(51) **LOC (8) Cl.** **14-02**

(52) **U.S. Cl.** **D14/426**

(58) **Field of Classification Search** D14/426, D14/429, 430, 420, 383, 384, 388, 390, 399; 235/454, 460, 462.3, 462.01, 472.01-472.03, 235/462.43, 462.45; 340/5.52-5.53, 5.8, 340/5.81, 5.82-5.83; 382/115, 124, 125-127; 902/3-5

See application file for complete search history.

(56) **References Cited**

U.S. PATENT DOCUMENTS

D340,042 S	*	10/1993	Copper et al.	D14/388
5,256,866 A	*	10/1993	Conversano et al.	...	235/472.03
D341,584 S	*	11/1993	Shepard et al.	D14/428
5,546,471 A	*	8/1996	Merjanian	382/124
D397,683 S	*	9/1998	Sakamoto et al.	D14/384
5,801,918 A	*	9/1998	Ahearn et al.	361/683
5,844,228 A	*	12/1998	Nukui et al.	235/472.01
D406,126 S	*	2/1999	Massieu et al.	D14/428

5,929,425 A	*	7/1999	Kanno	235/472.01
D425,881 S	*	5/2000	Borza	D14/384
D433,416 S	*	11/2000	Strand et al.	D14/426
6,338,434 B1	*	1/2002	Wilz et al.	235/462.01
6,761,317 B1	*	7/2004	Knowles et al.	235/472.01
2002/0031244 A1	*	3/2002	Rozenberg et al.	382/124
2002/0109010 A1	*	8/2002	Wilz et al.	235/462.45
2002/0146157 A1	*	10/2002	Goodman et al.	382/127

OTHER PUBLICATIONS

“Identix® IBIS Mobile Identification System”, data sheet, at http://www.identix.com/products/pro_mobile.html, date unknown, 2 pages.

* cited by examiner

Primary Examiner—Alan P. Douglas
Assistant Examiner—Susan Moon Lee

(74) *Attorney, Agent, or Firm*—Sterne, Kessler, Goldstein & Fox P.L.L.C.

(57) **CLAIM**

The ornamental design for a scanner, as shown and described.

DESCRIPTION

FIG. 1 is a perspective view of a scanner showing a new design;

FIG. 2 is a right side view of the scanner of FIG. 1;

FIG. 3 is a left side view of the scanner of FIG. 1;

FIG. 4 is a top plan view of the scanner of FIG. 1;

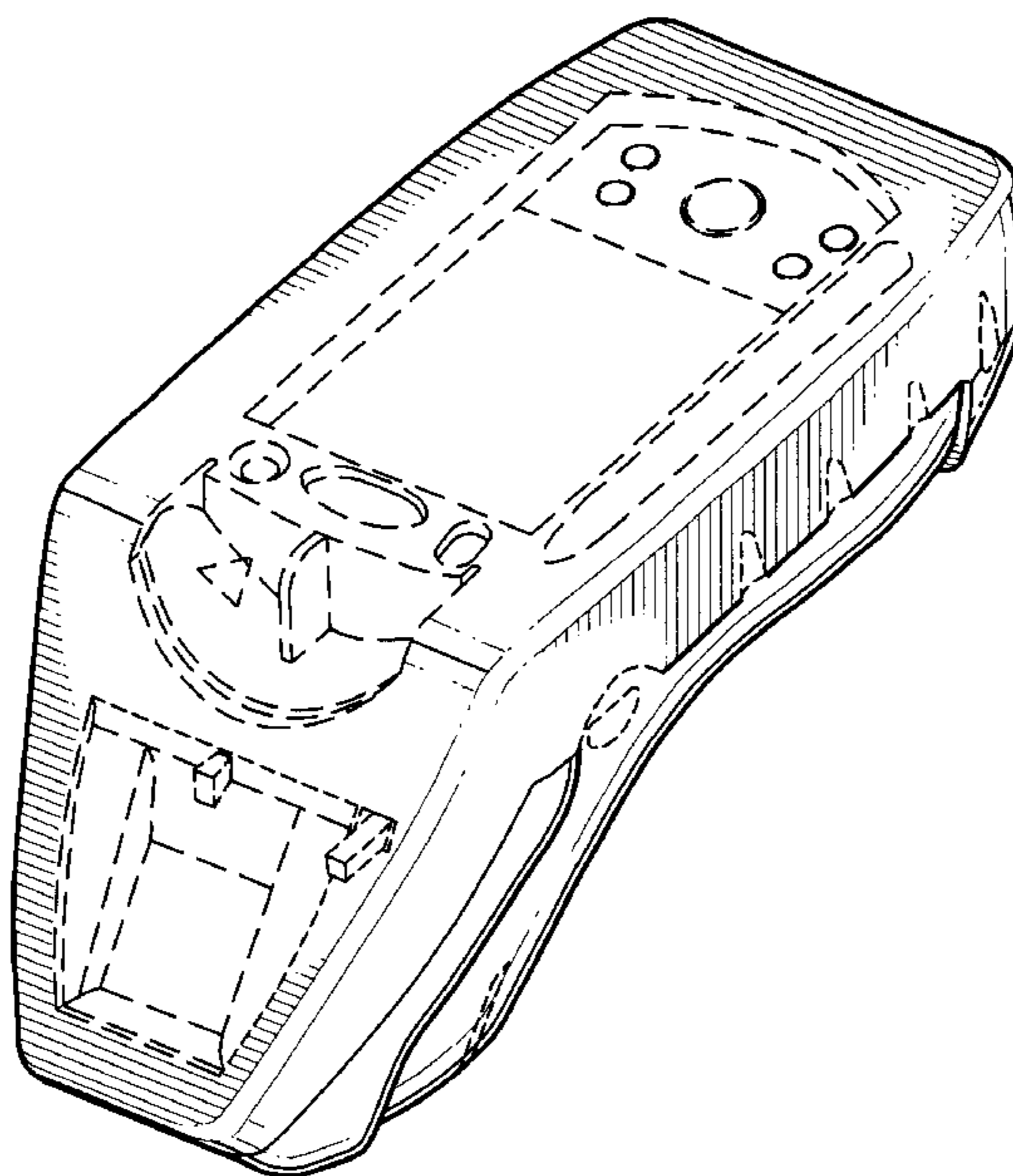
FIG. 5 is a bottom view of the scanner of FIG. 1;

FIG. 6 is a front view of the scanner of FIG. 1; and,

FIG. 7 is a rear view of the scanner of FIG. 1.

The broken line is environmental only and forms no part of the claimed design.

1 Claim, 4 Drawing Sheets



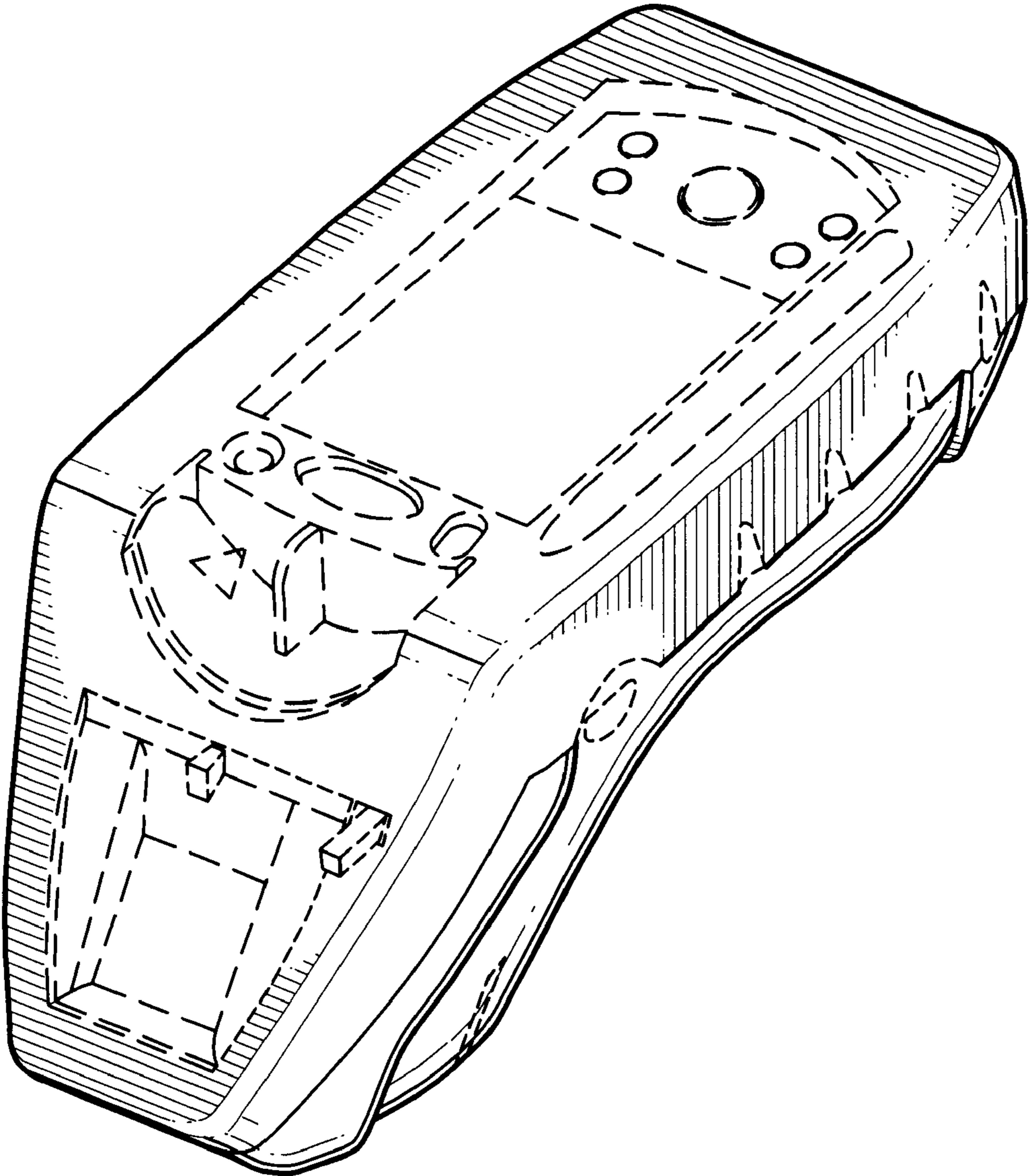


FIG. 1

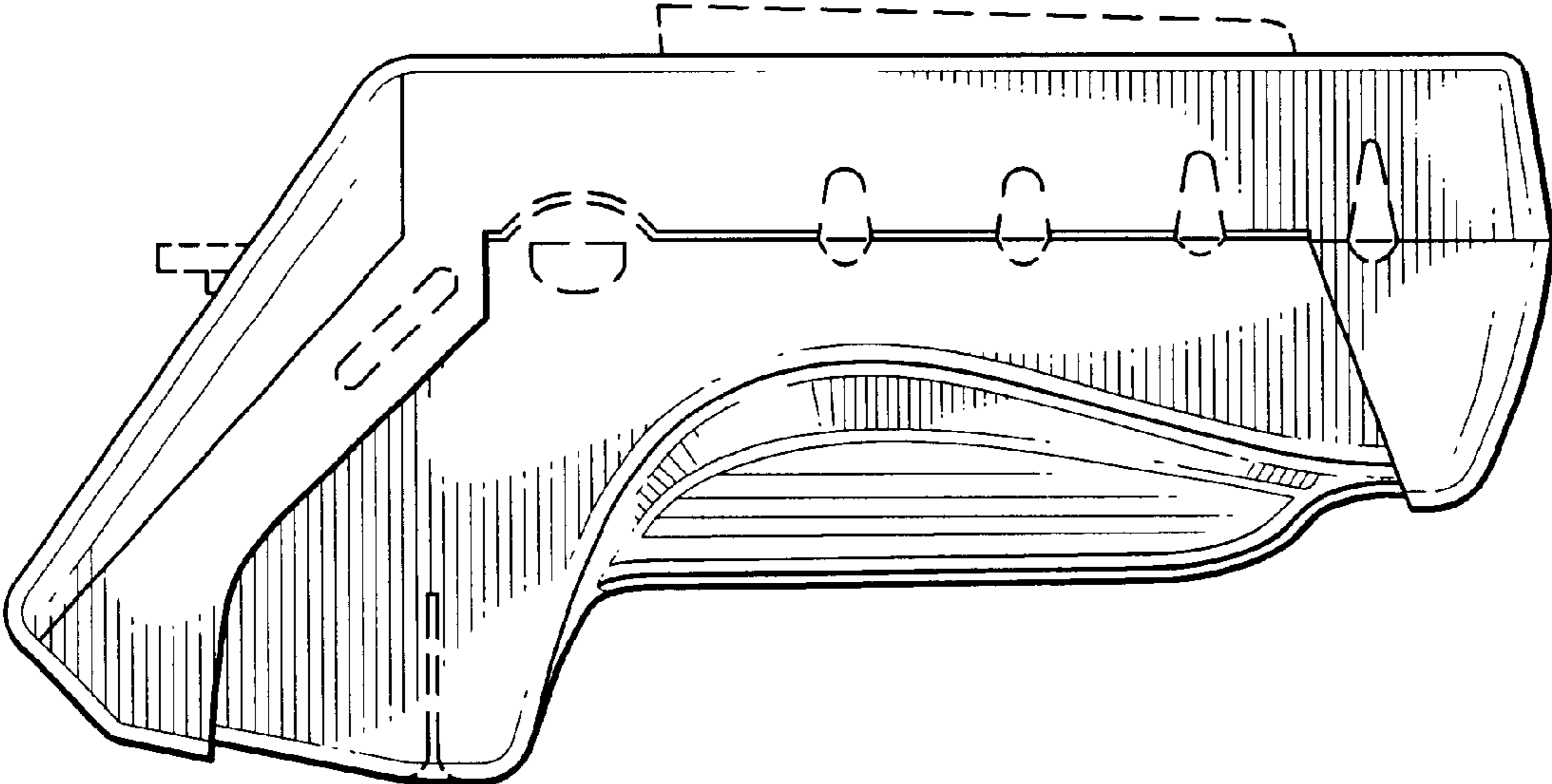


FIG. 2

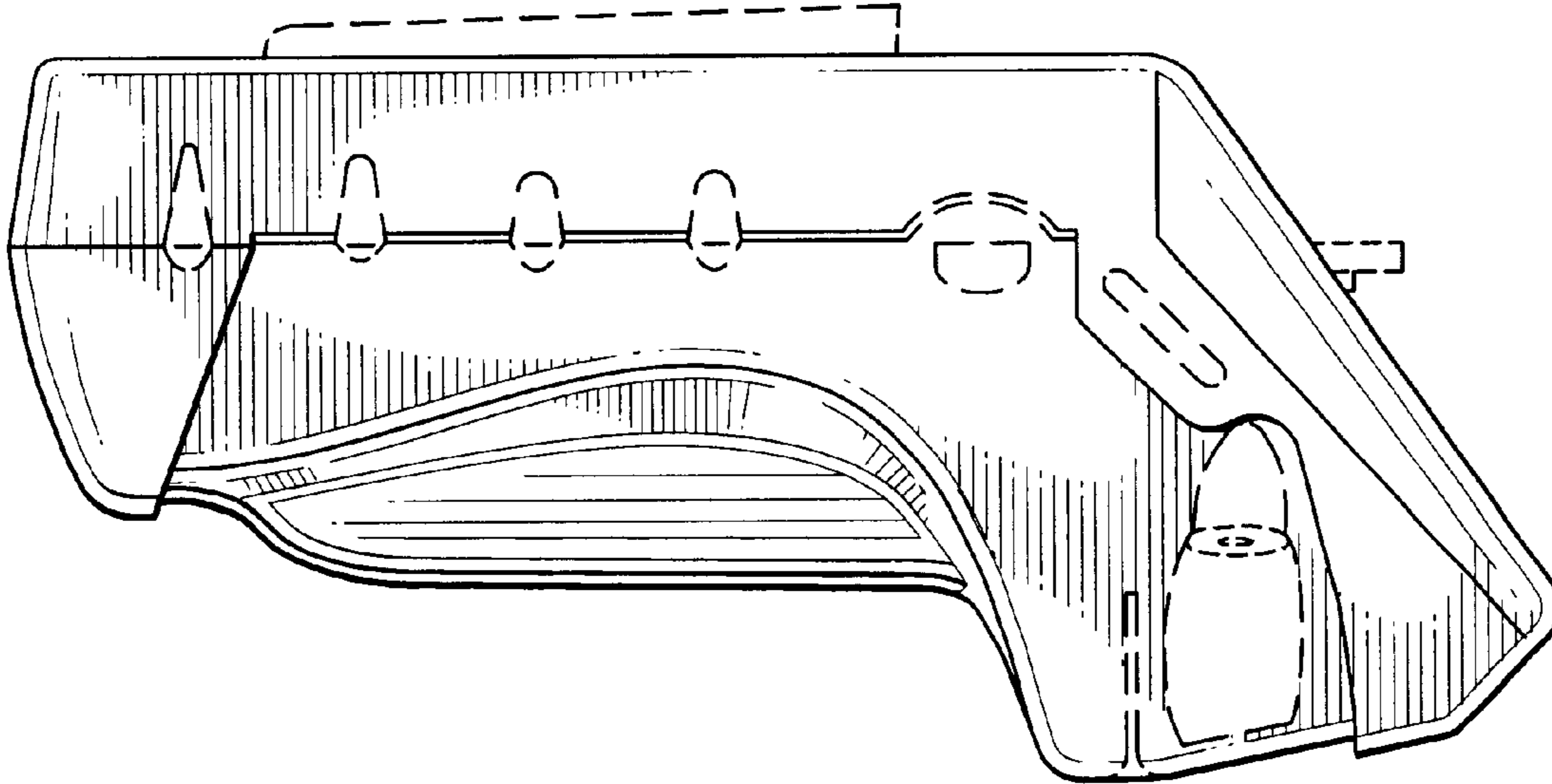


FIG. 3

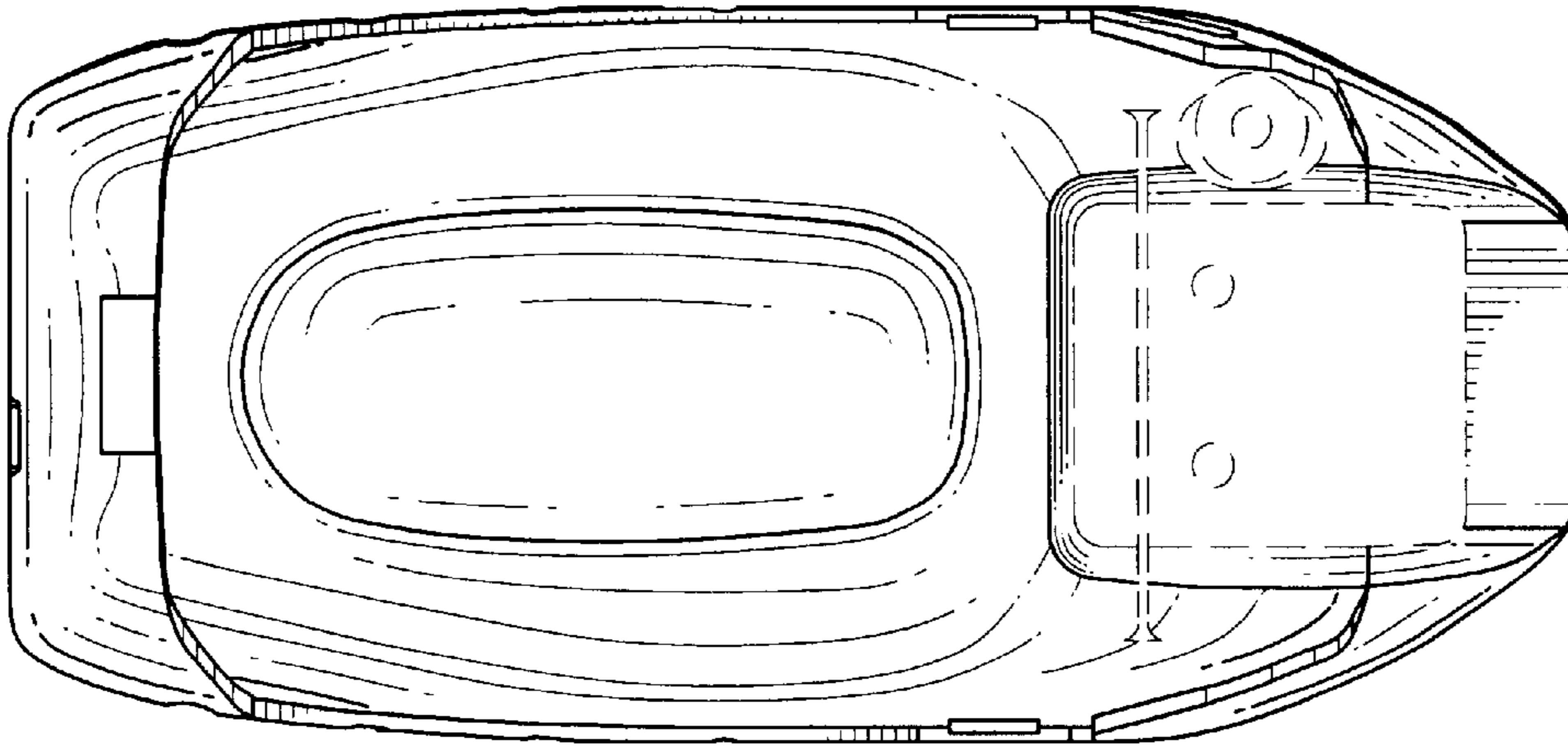


FIG. 5

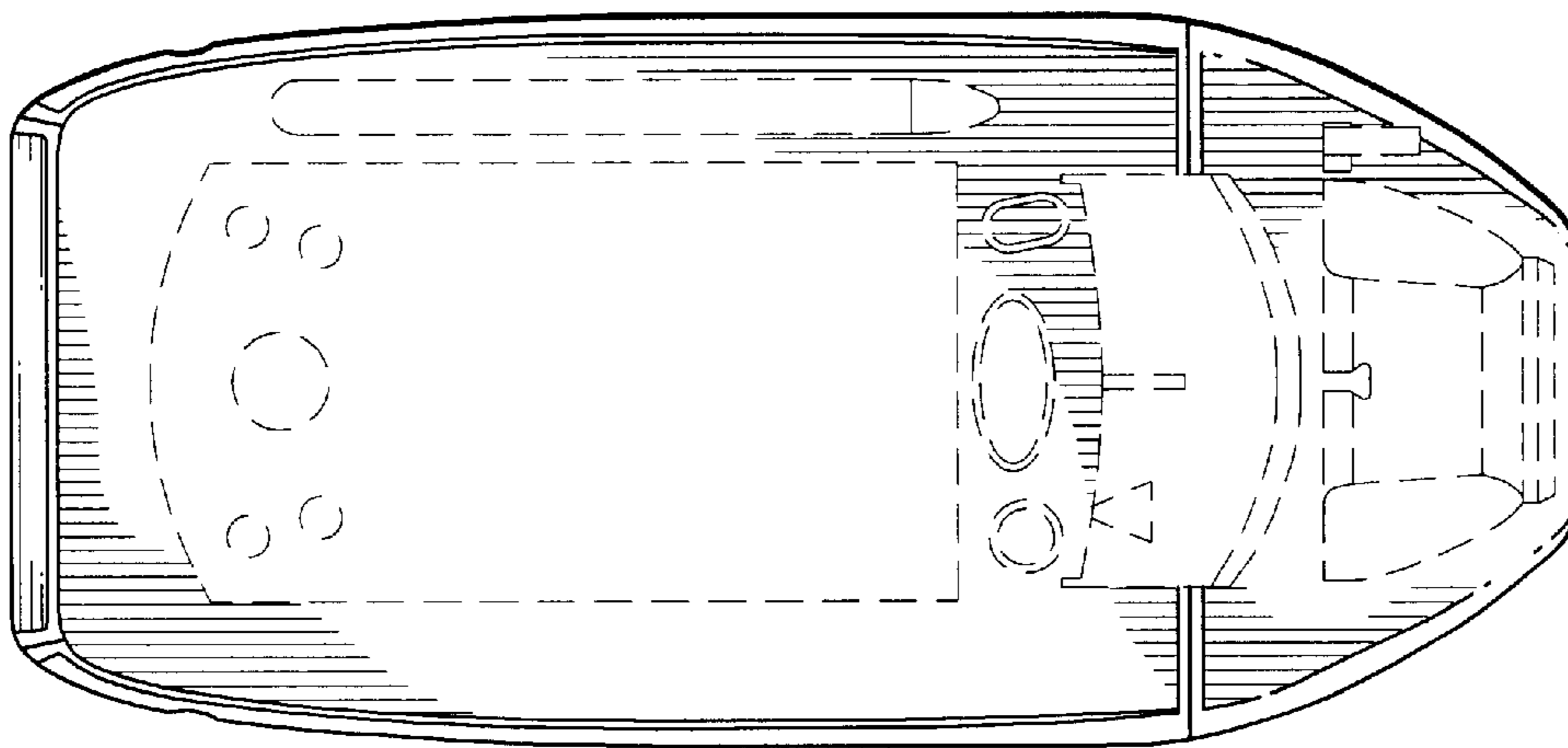


FIG. 4

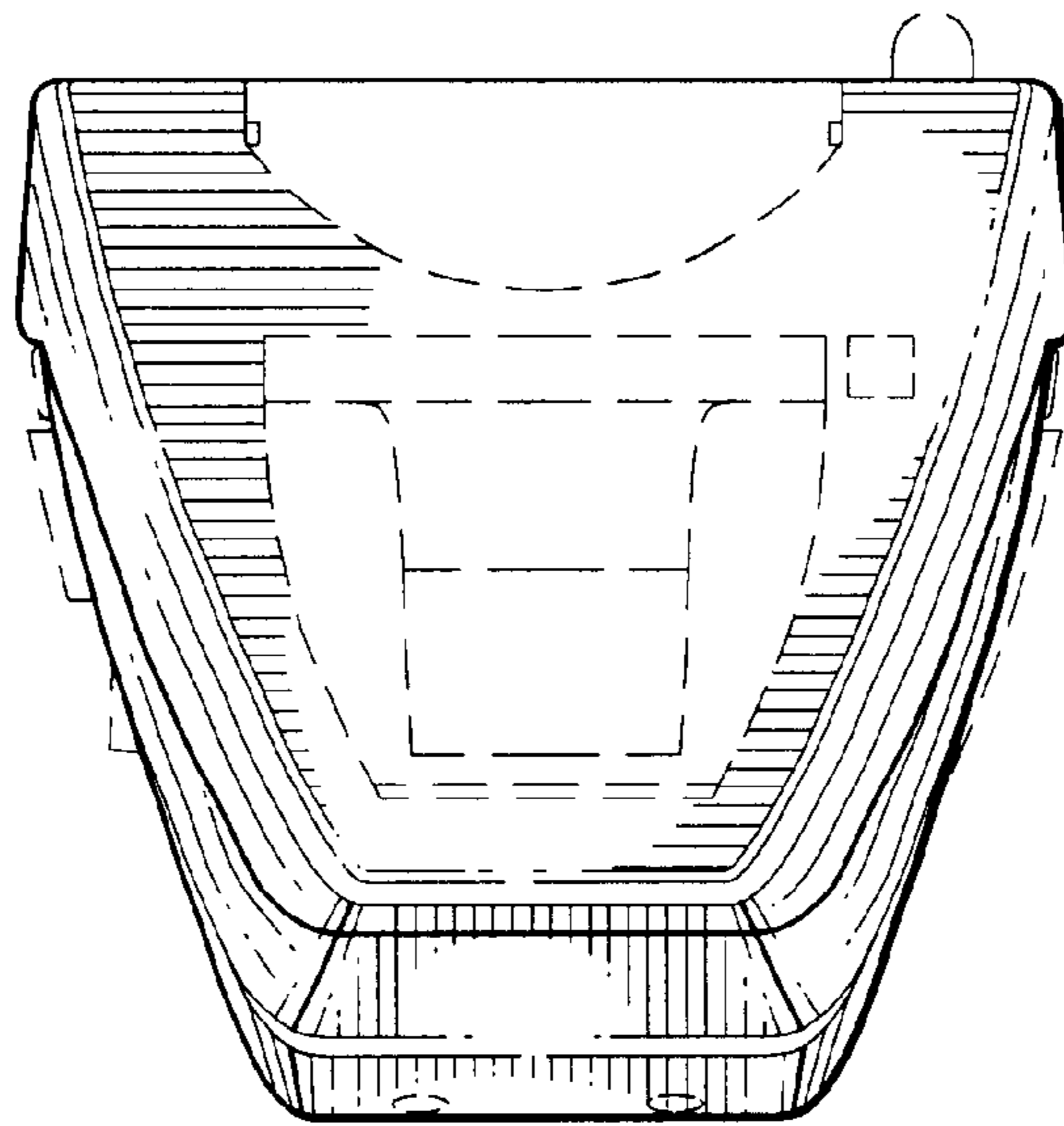


FIG. 6

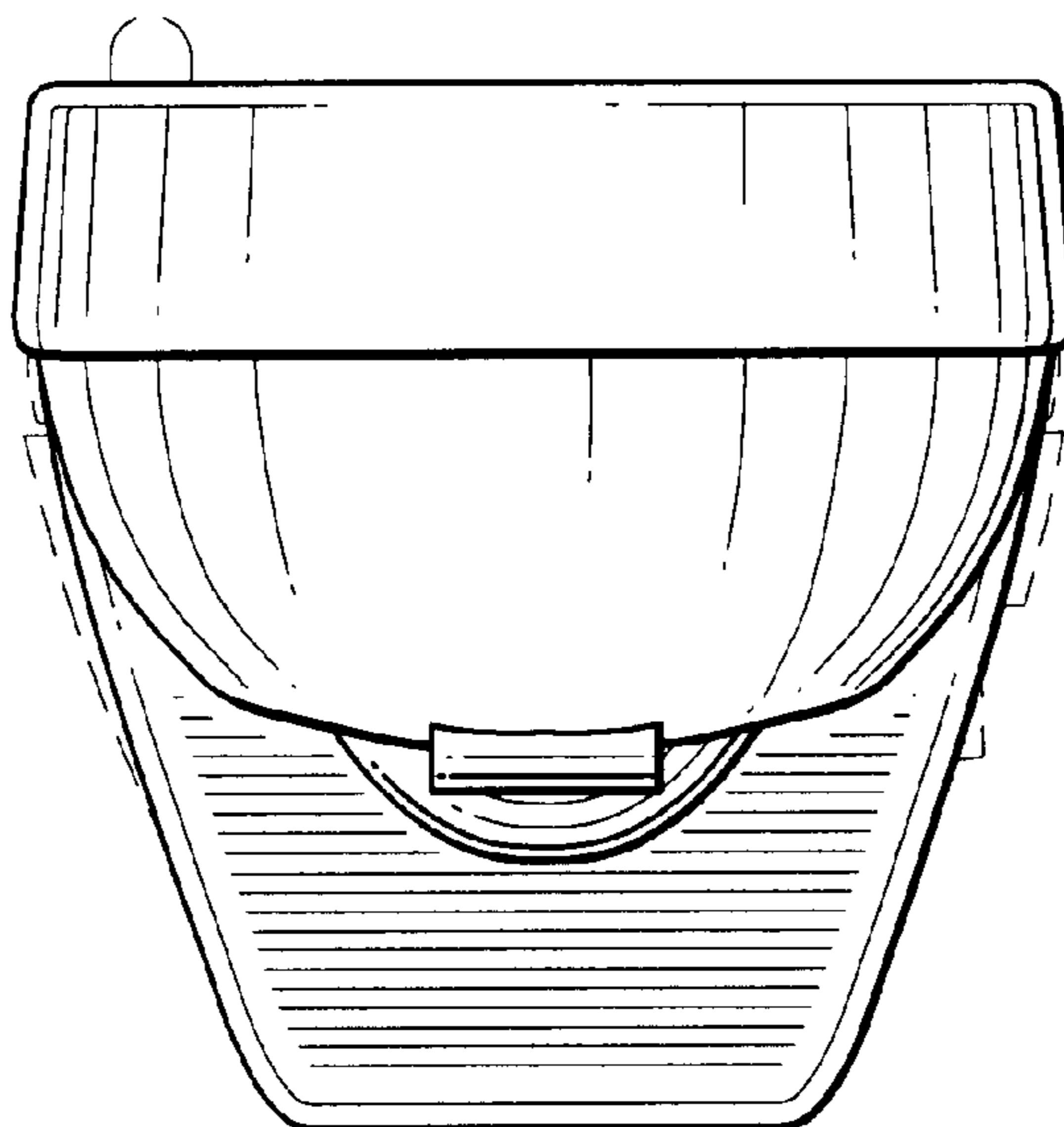


FIG. 7