



US00D518478S

(12) **United States Design Patent**
Song

(10) **Patent No.:** **US D518,478 S**

(45) **Date of Patent:** **** Apr. 4, 2006**

(54) **CONDENSER MICROPHONE**

(75) Inventor: **Chung Dam Song**, Seoul (KR)

(73) Assignee: **BSE Co., Ltd.** (KR)

(**) Term: **14 Years**

(21) Appl. No.: **29/224,786**

(22) Filed: **Mar. 7, 2005**

(30) **Foreign Application Priority Data**

Sep. 10, 2004 (KR) 30-2004-0028068

(51) **LOC (8) Cl.** **14-01**

(52) **U.S. Cl.** **D14/225**

(58) **Field of Classification Search** D14/188,
D14/191, 206, 210, 215, 223, 224, 225, 226,
D14/240, 299; D13/108, 110, 123, 147, 152,
D13/160, 164, 184; 181/158, 242; 381/90-91,
381/122, 159, 168, 169, 324, 358, 361; 379/430,
379/441, 442; 439/342

See application file for complete search history.

(56) **References Cited**

U.S. PATENT DOCUMENTS

2,296,454 A * 9/1942 Schauer 439/342
D281,419 S * 11/1985 Nagele D14/225
D321,692 S * 11/1991 Siddoway et al. D14/226

D324,388 S * 3/1992 Pulio et al. D14/215
5,099,514 A * 3/1992 Acree 379/441
D352,039 S * 11/1994 Yurkonis et al. D14/225
D356,571 S * 3/1995 Garmon et al. D14/225
D368,909 S * 4/1996 Fonseca et al. D14/191
D404,736 S * 1/1999 Alvarez et al. D14/229
D475,996 S * 6/2003 Skulley D14/240
D507,261 S * 7/2005 Griffin D14/226

* cited by examiner

Primary Examiner—Paula A. Greene

(74) *Attorney, Agent, or Firm*—Keusey, Tutunjian & Bitetto, P.C.

(57) **CLAIM**

The ornamental design for a condenser microphone, as shown and described.

DESCRIPTION

FIG. 1 is a perspective view of a condenser microphone showing the new design;

FIG. 2 is a front view of the condenser microphone;

FIG. 3 is a rear view of the condenser microphone;

FIG. 4 is a left side view of the condenser microphone;

FIG. 5 is a right side view of the condenser microphone;

FIG. 6 is a top view of the condenser microphone; and,

FIG. 7 is a bottom view of the condenser microphone.

1 Claim, 3 Drawing Sheets

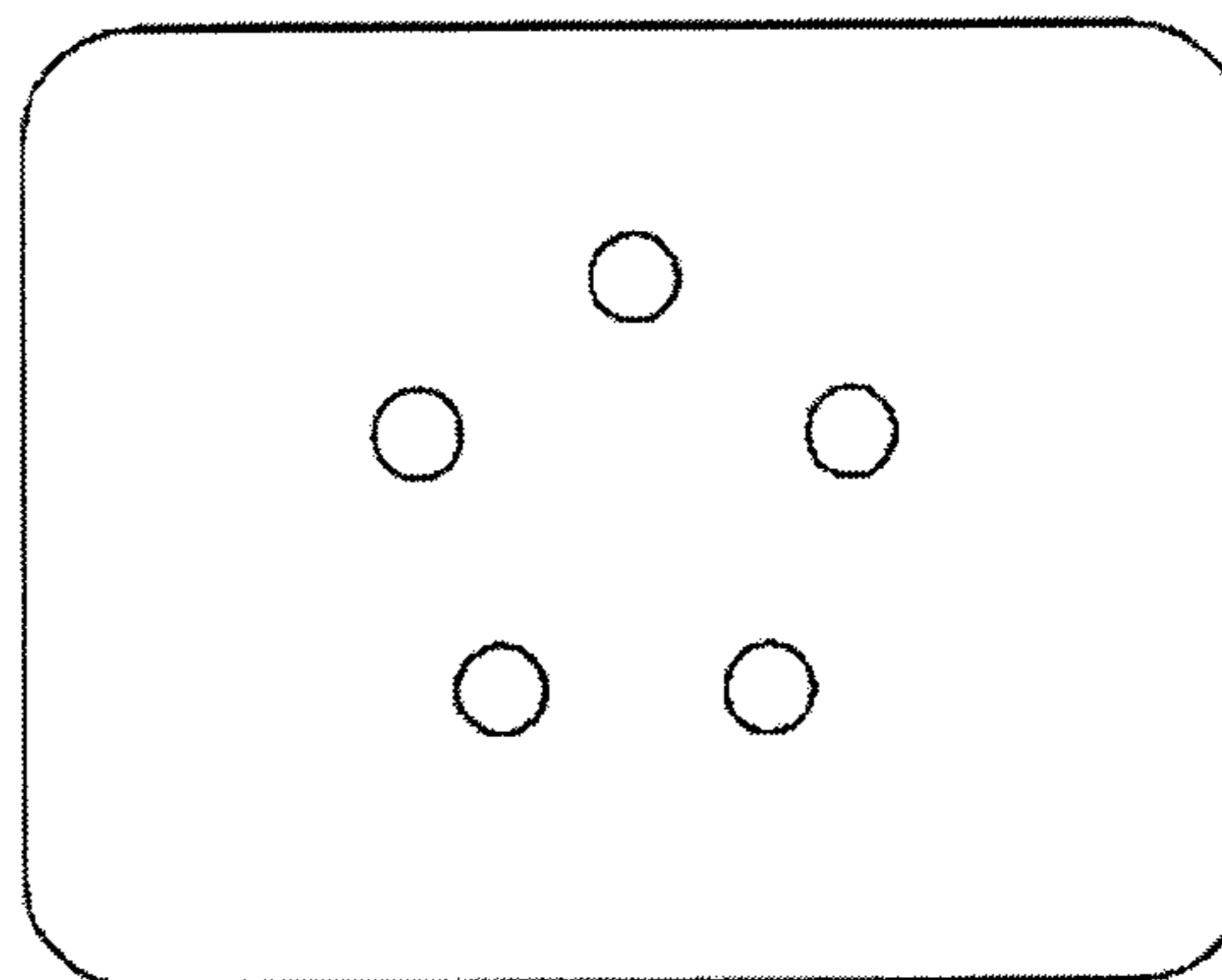
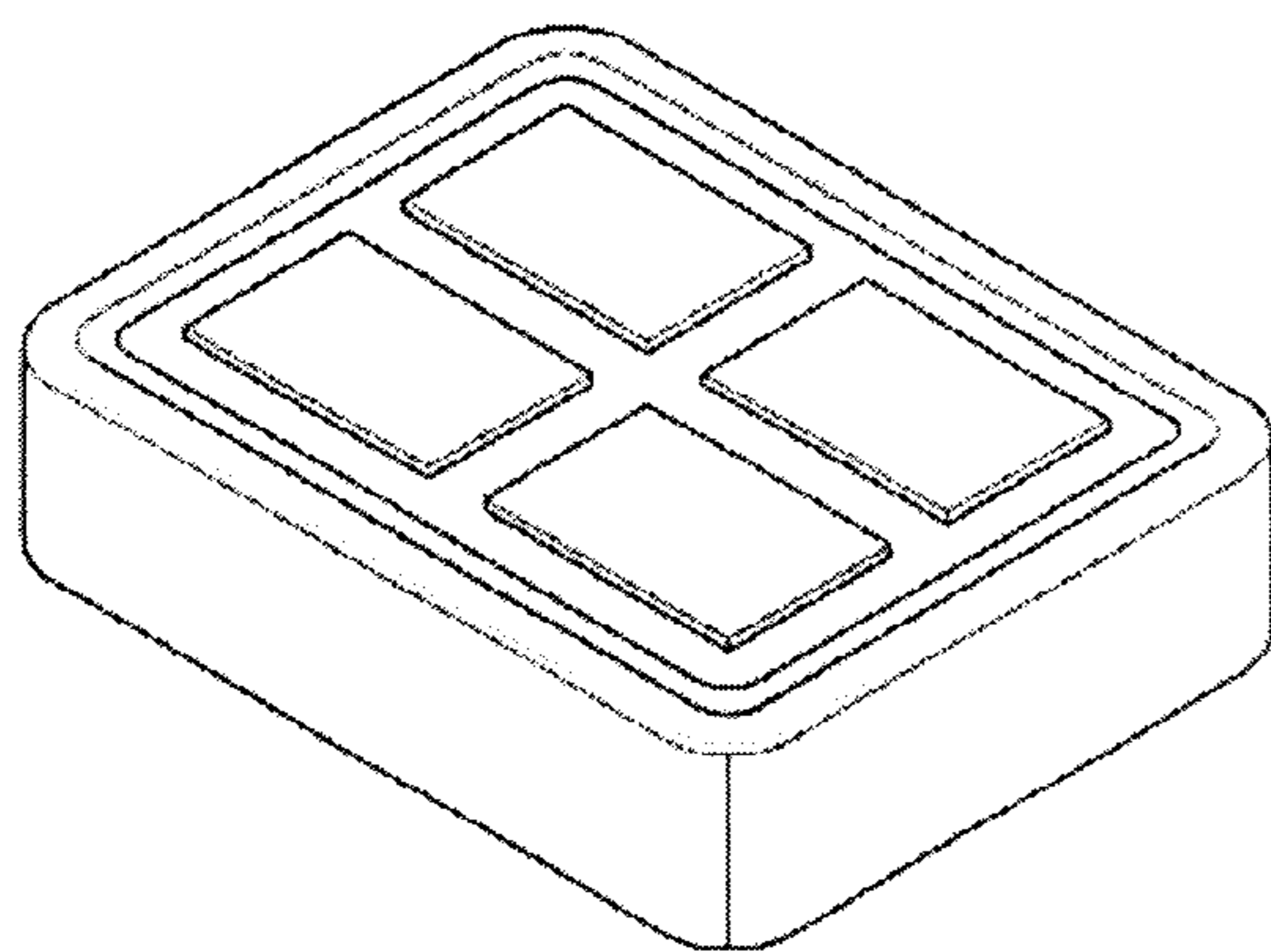


FIG. 1

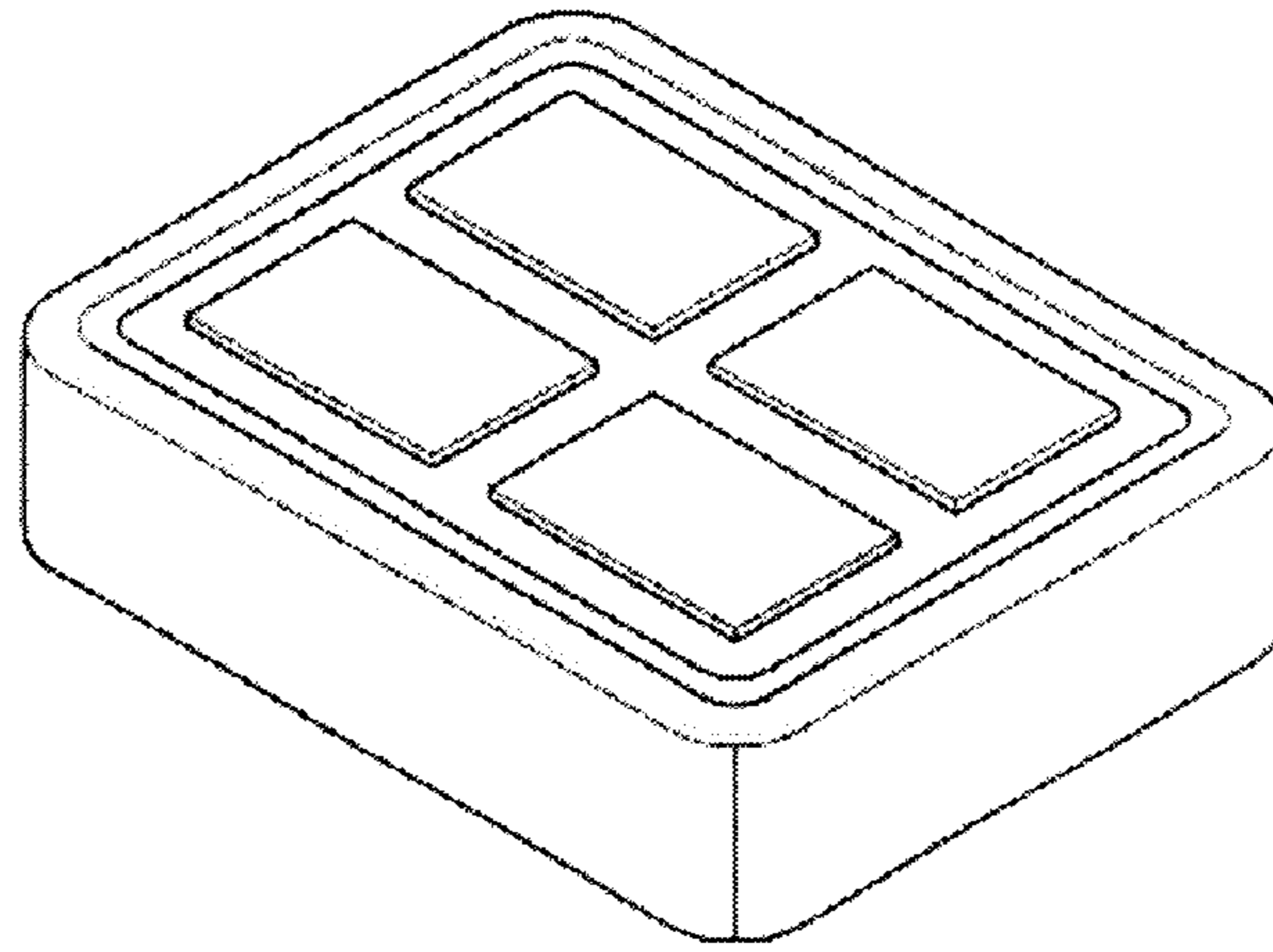


FIG. 2

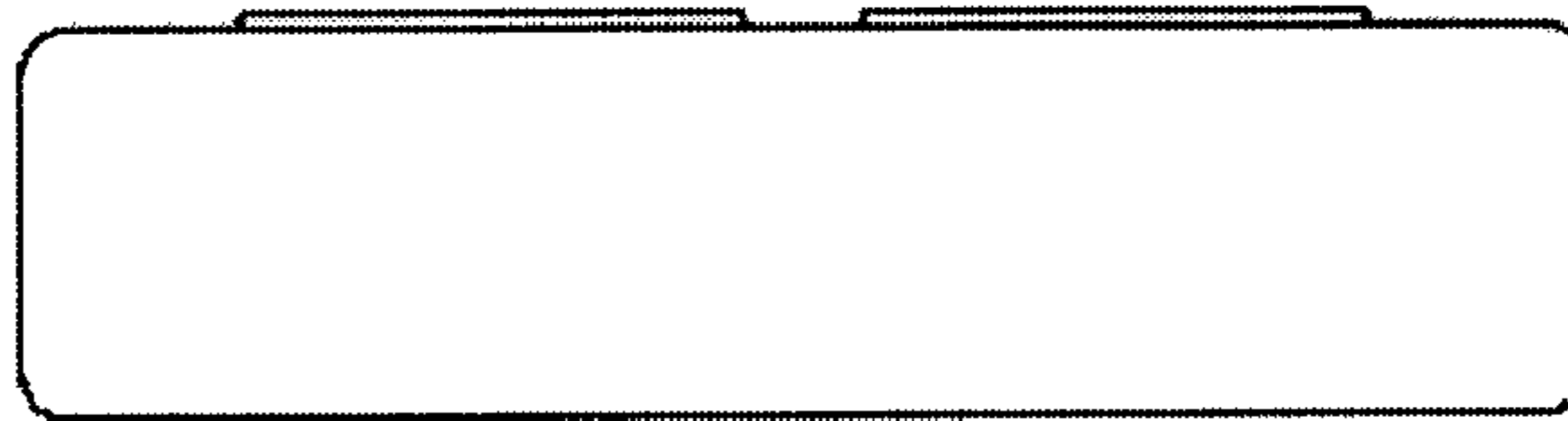


FIG. 3

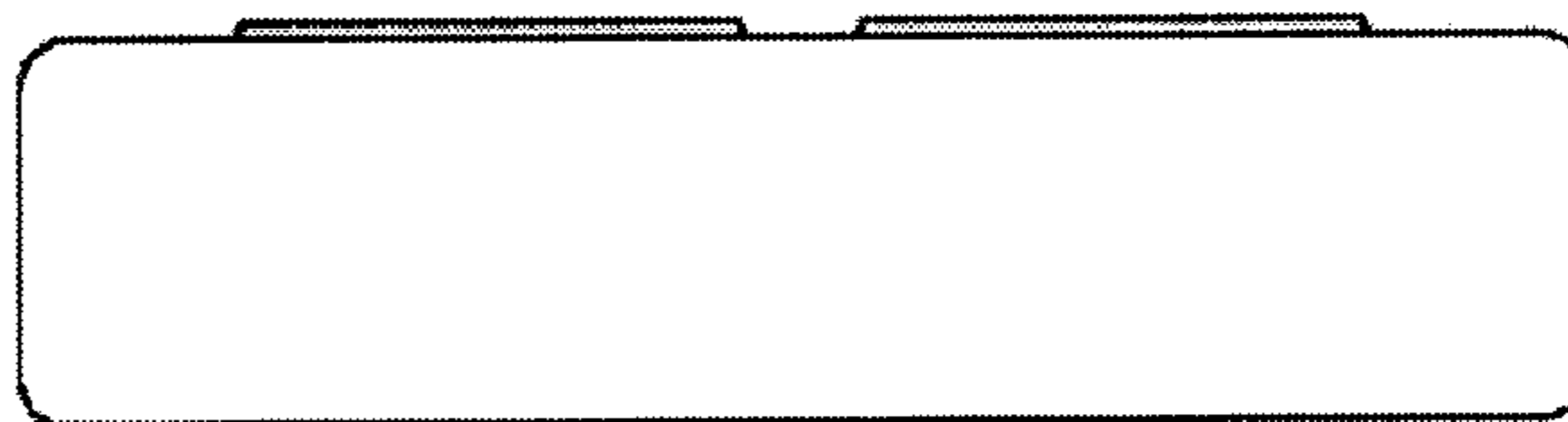


FIG. 4

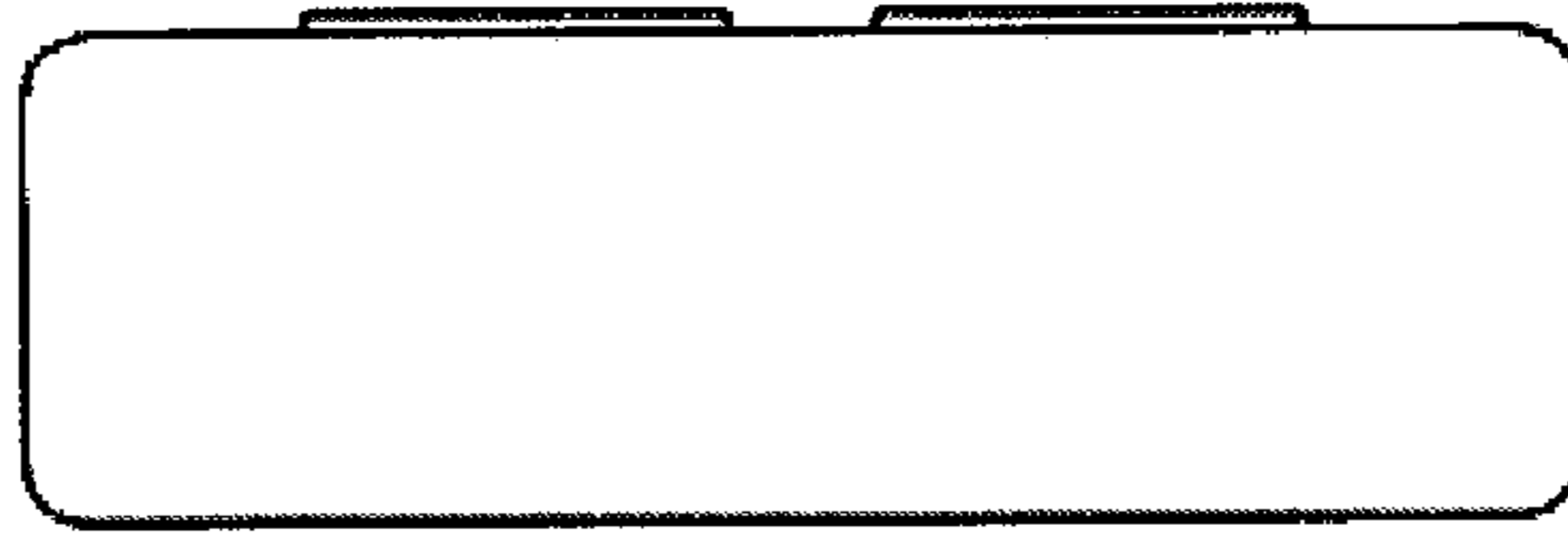


FIG. 5



FIG. 6

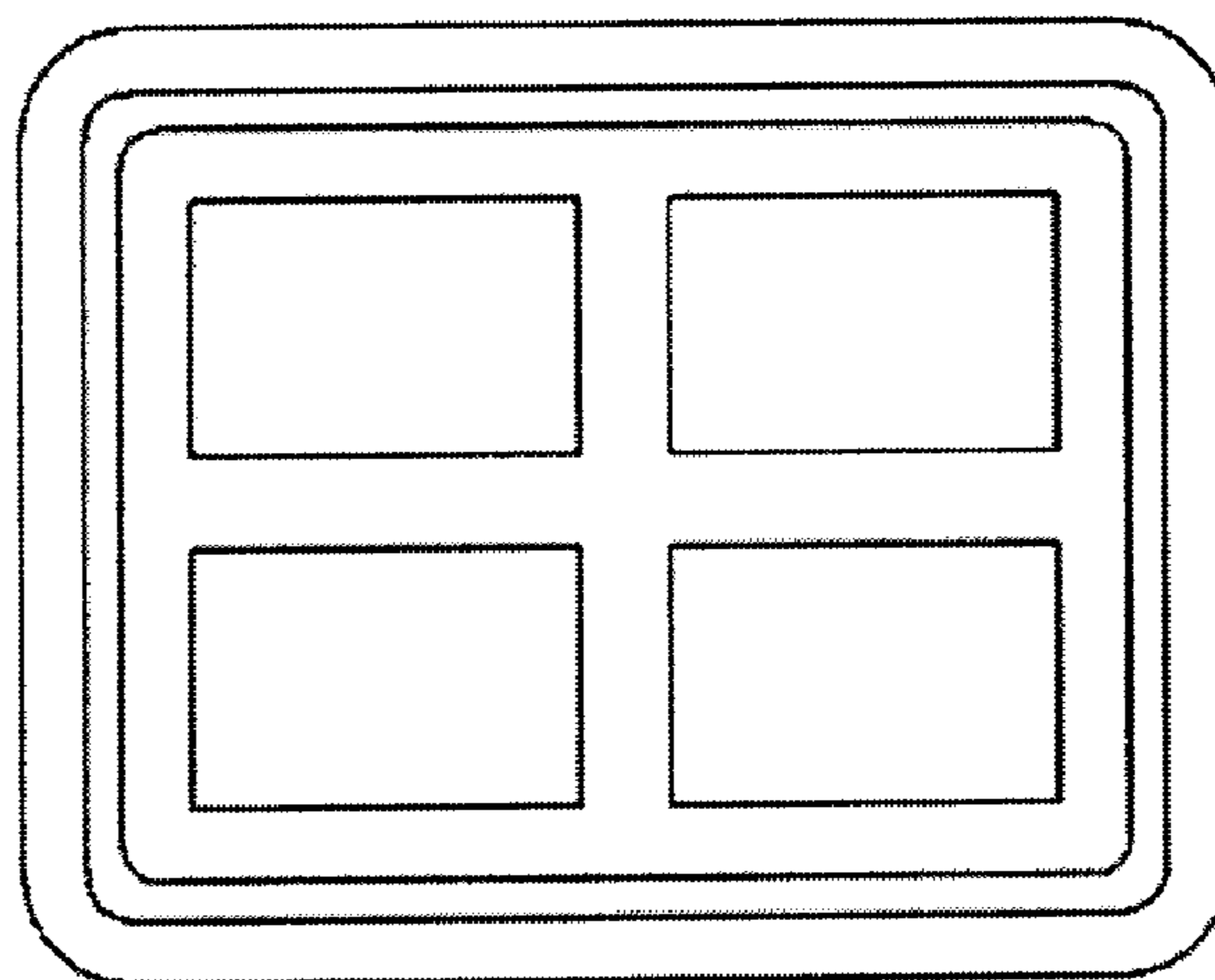


FIG. 7

