



US00D518475S

(12) **United States Design Patent**
Yang et al.

(10) **Patent No.:** **US D518,475 S**

(45) **Date of Patent:** **** Apr. 4, 2006**

(54) **REMOTE CONTROLLER**

(75) Inventors: **Yu-Ching Yang**, Taipei Hsien (TW);
Chun-Ta Chen, Taipei Hsien (TW);
Chun-Min Ko, Taipei Hsien (TW)

(73) Assignee: **Acer Inc.**, Taipei Hsien (TW)

(**) Term: **14 Years**

(21) Appl. No.: **29/194,775**

(22) Filed: **Dec. 2, 2003**

(51) **LOC (8) Cl.** **14-03**

(52) **U.S. Cl.** **D14/218**

(58) **Field of Classification Search** D14/217,
D14/218, 124, 174, 299; D13/168; D21/566;
455/352, 128, 347, 90.3; D10/104-106
See application file for complete search history.

(56) **References Cited**

U.S. PATENT DOCUMENTS

- D346,152 S * 4/1994 Zaugg D13/168
- D375,057 S * 10/1996 Heun D10/104
- D448,358 S * 9/2001 Tickle et al. D14/218

OTHER PUBLICATIONS

Sound & Vision, Jun. 2000 □□p.52 remote at top left of page.*

Spiegel, 1996 □□p. 294 RCA remote control.*

Aldi store circular, Feb. 17, 2003 □□Tevion remote control.*

* cited by examiner

Primary Examiner—Louis S. Zarfes

Assistant Examiner—John Windmuller

(74) *Attorney, Agent, or Firm*—Michael Bednarek;
Pillsbury Winthrop Shaw Pittman LLP

(57) **CLAIM**

The ornamental design for a remote controller, as substantially shown and described.

DESCRIPTION

FIG. 1 is a front perspective view of a remote controller showing our new design.

FIG. 2 is a left side view of the remote controller

FIG. 3 is a top plan view of the remote controller

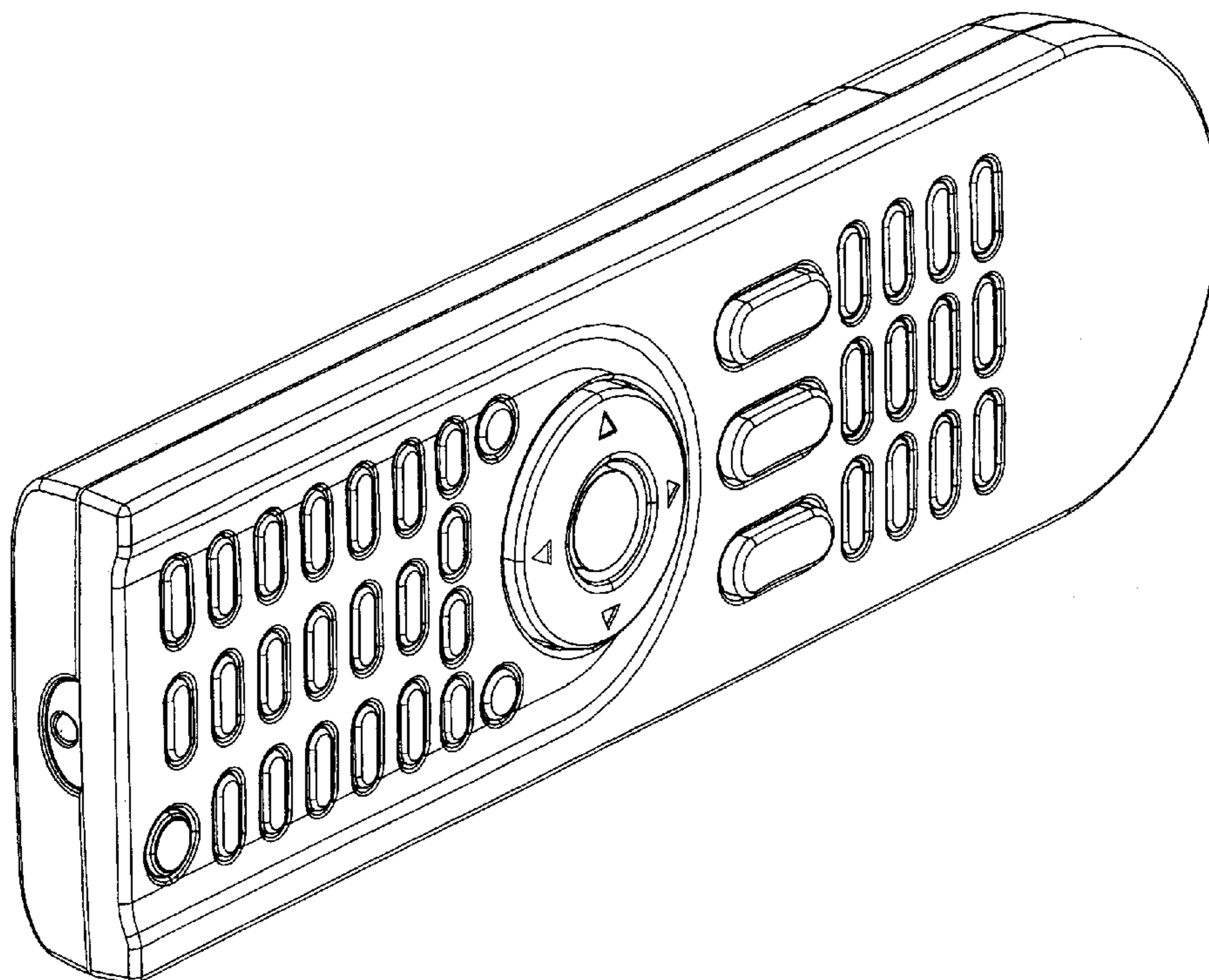
FIG. 4 is a back view of the remote controller

FIG. 5 is a bottom view of the remote controller

FIG. 6 is a right view of the remote controller; and,

FIG. 7 is a front view of the remote controller.

1 Claim, 7 Drawing Sheets



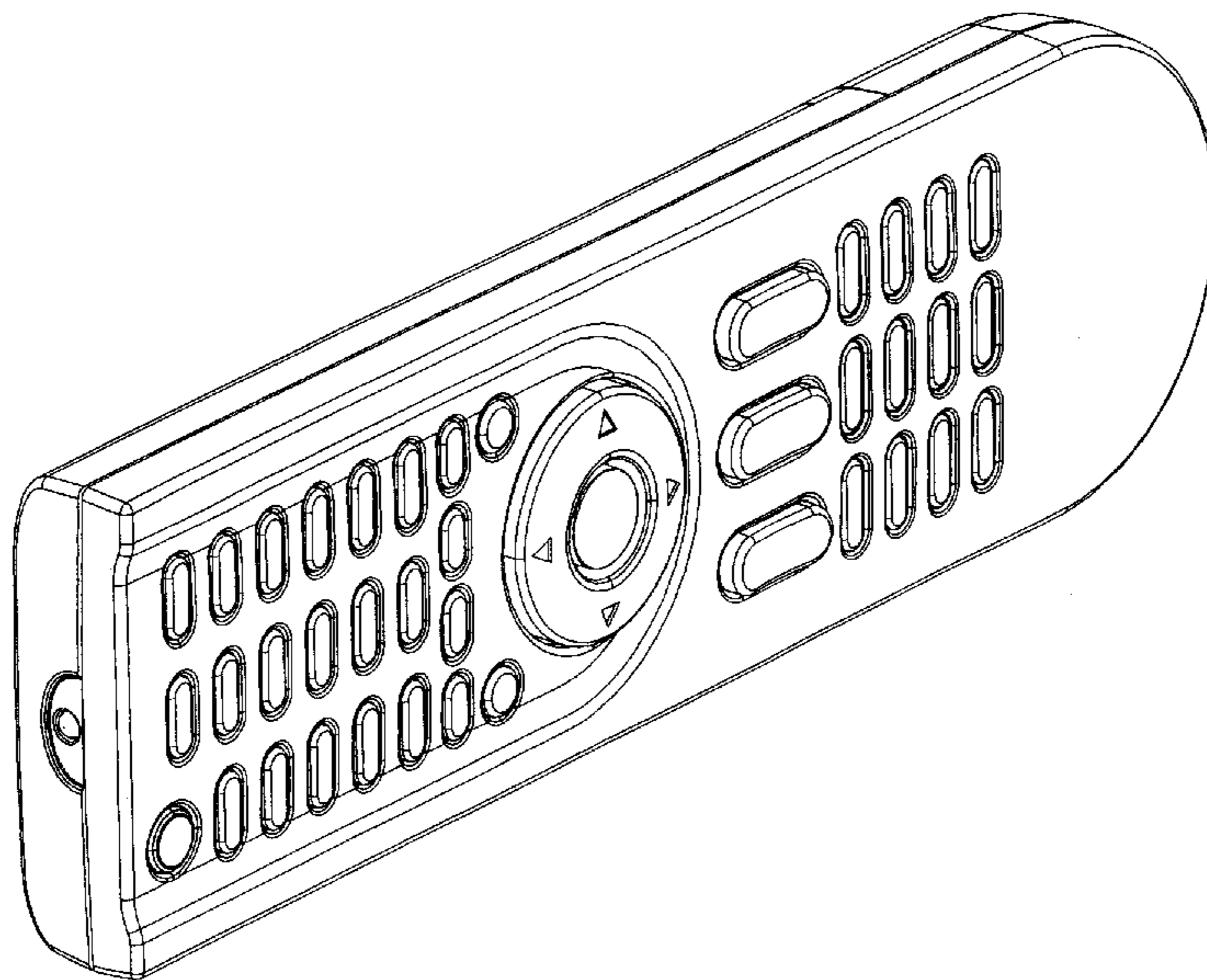


FIG. 1

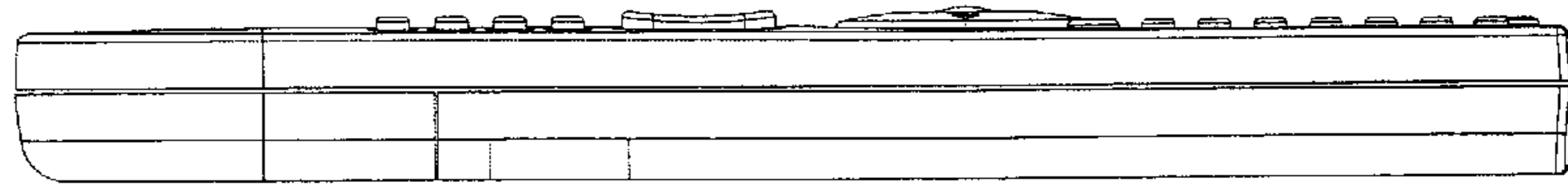


FIG. 2

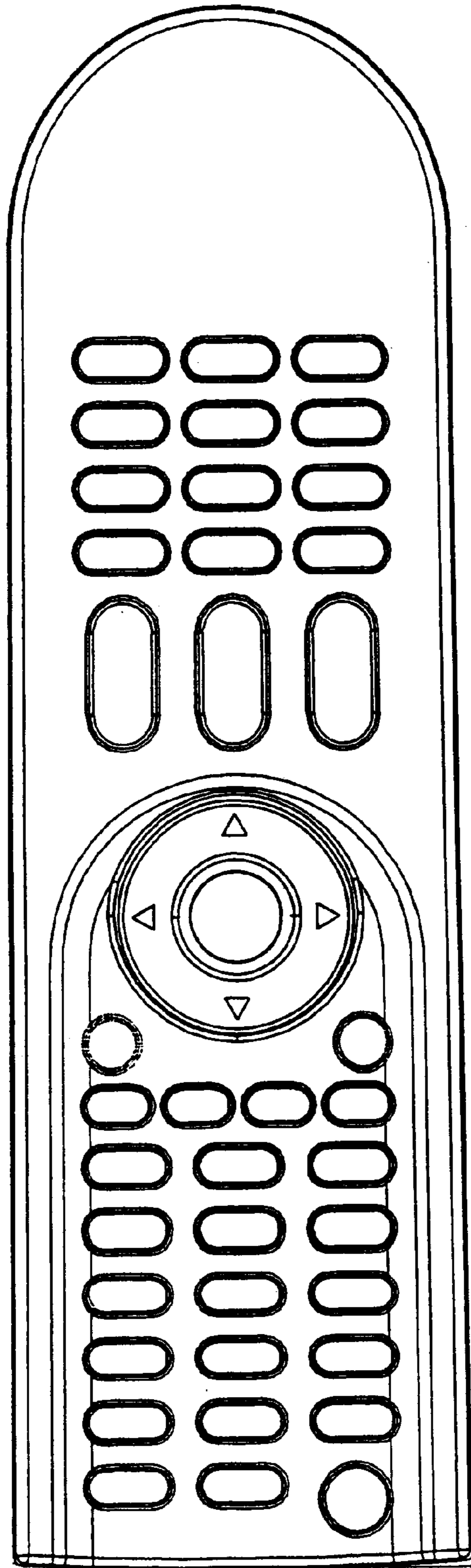


FIG. 3

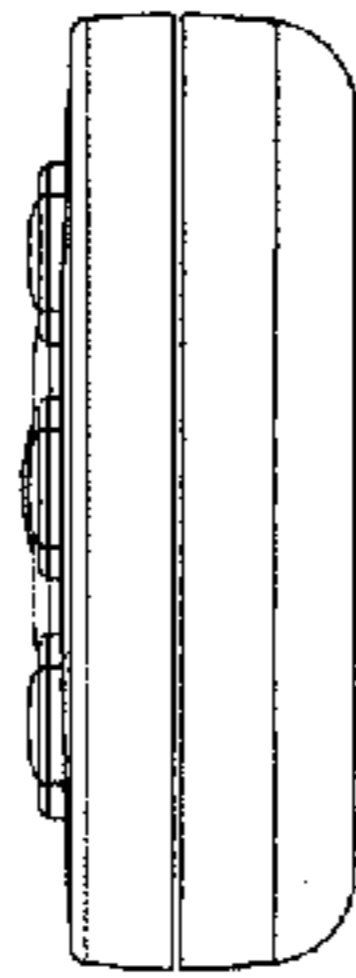
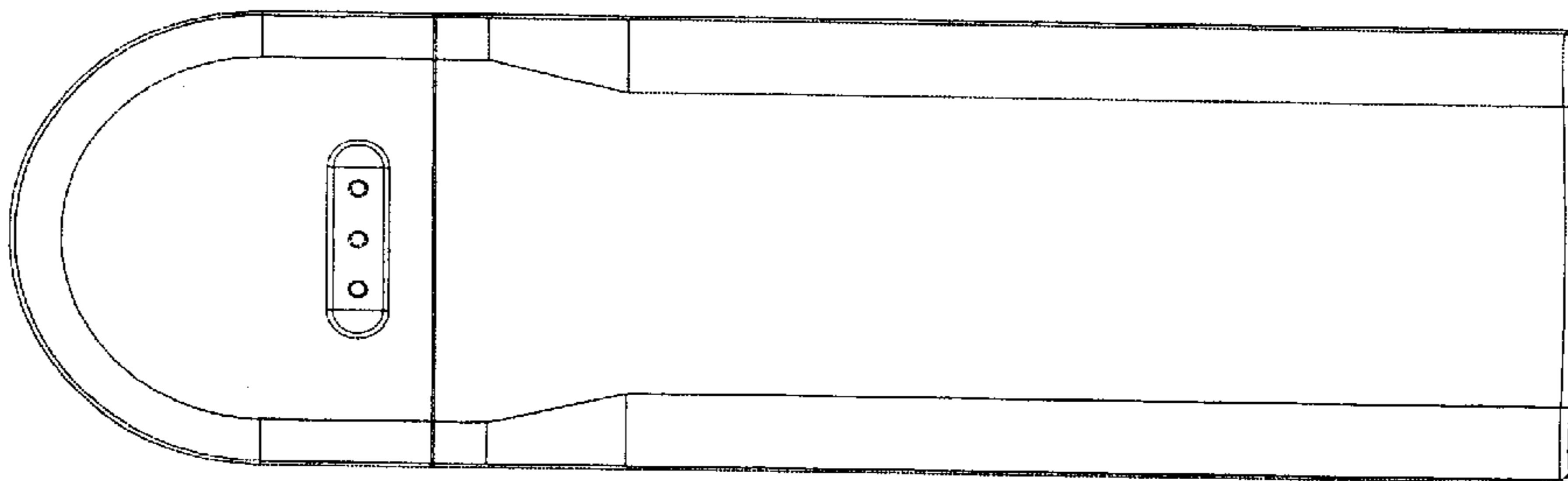


FIG. 4

FIG. 5



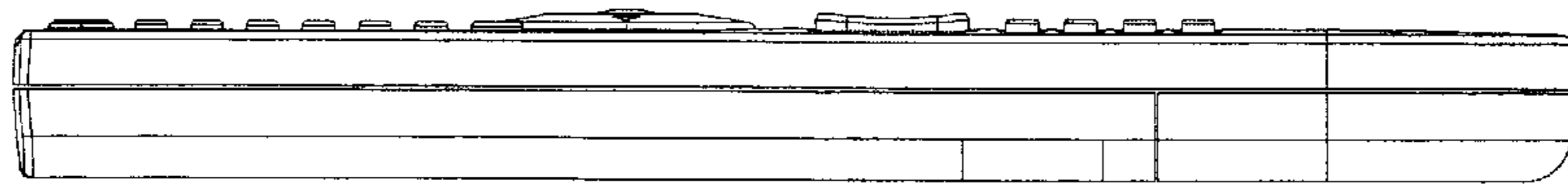


FIG. 6

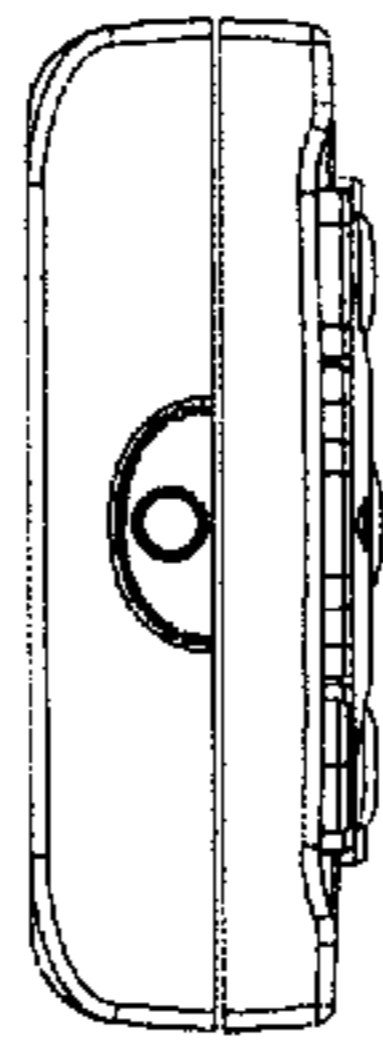


FIG. 7