

US00D518474S

(12) **United States Design Patent**  
**Suzuki**

(10) **Patent No.:** **US D518,474 S**

(45) **Date of Patent:** **\*\* Apr. 4, 2006**

(54) **HEADPHONE**

(75) Inventor: **Satoshi Suzuki**, Tokyo (JP)

(73) Assignee: **Sony Corporation**, Tokyo (JP)

(\*\*) Term: **14 Years**

(21) Appl. No.: **29/227,493**

(22) Filed: **Apr. 13, 2005**

(51) **LOC (8) Cl.** ..... **14-01**

(52) **U.S. Cl.** ..... **D14/205**

(58) **Field of Classification Search** ..... D14/192,  
D14/205, 206, 223; 181/129, 130; 379/430,  
379/431; 381/370, 371, 374, 376, 378, 379,  
381/380, 381; D2/883, 894; 2/12, 171, 209.7,  
2/209, 410; D29/112, 122; 455/575.2  
See application file for complete search history.

(56) **References Cited**

**U.S. PATENT DOCUMENTS**

1,633,586	A	*	6/1927	Hunter	.....	2/171
3,488,457	A	*	1/1970	Lahti	.....	381/371
D229,833	S	*	1/1974	Becker	.....	D14/205
D246,242	S	*	11/1977	Bellini	.....	D14/205
D254,616	S	*	4/1980	Tabata	.....	D14/205
5,406,037	A	*	4/1995	Nageno et al.	.....	181/129
D376,598	S	*	12/1996	Hayashi	.....	D14/206
D403,128	S	*	12/1998	Scanlon et al.	.....	D29/122

D410,466	S	6/1999	Mouri	
D420,356	S	2/2000	Suzuku	
D435,249	S	* 12/2000	Yasutomi	..... D14/205
D453,015	S	1/2002	Yuyama	
D467,895	S	12/2002	Hirano	

**OTHER PUBLICATIONS**

Web page "QUALIA, Q010-MDR1" <http://www.sony.jp/products/Consumer/QUALIA/jp/products/010/index.html>,  
2 sheet, Sony (Mar. 2005).

\* cited by examiner

*Primary Examiner*—Paula A. Greene  
(74) *Attorney, Agent, or Firm*—Rader, Fishman & Grauer  
PLLC

(57) **CLAIM**

The ornamental design for a headphone, as shown.

**DESCRIPTION**

FIG. 1 is a perspective view of a headphone showing my new design;  
FIG. 2 is a front elevational view thereof;  
FIG. 3 is a rear elevational view thereof;  
FIG. 4 is a left side elevational view thereof;  
FIG. 5 is a right side elevational view thereof;  
FIG. 6 is a top plan view thereof; and,  
FIG. 7 is a bottom plan view thereof.

**1 Claim, 4 Drawing Sheets**

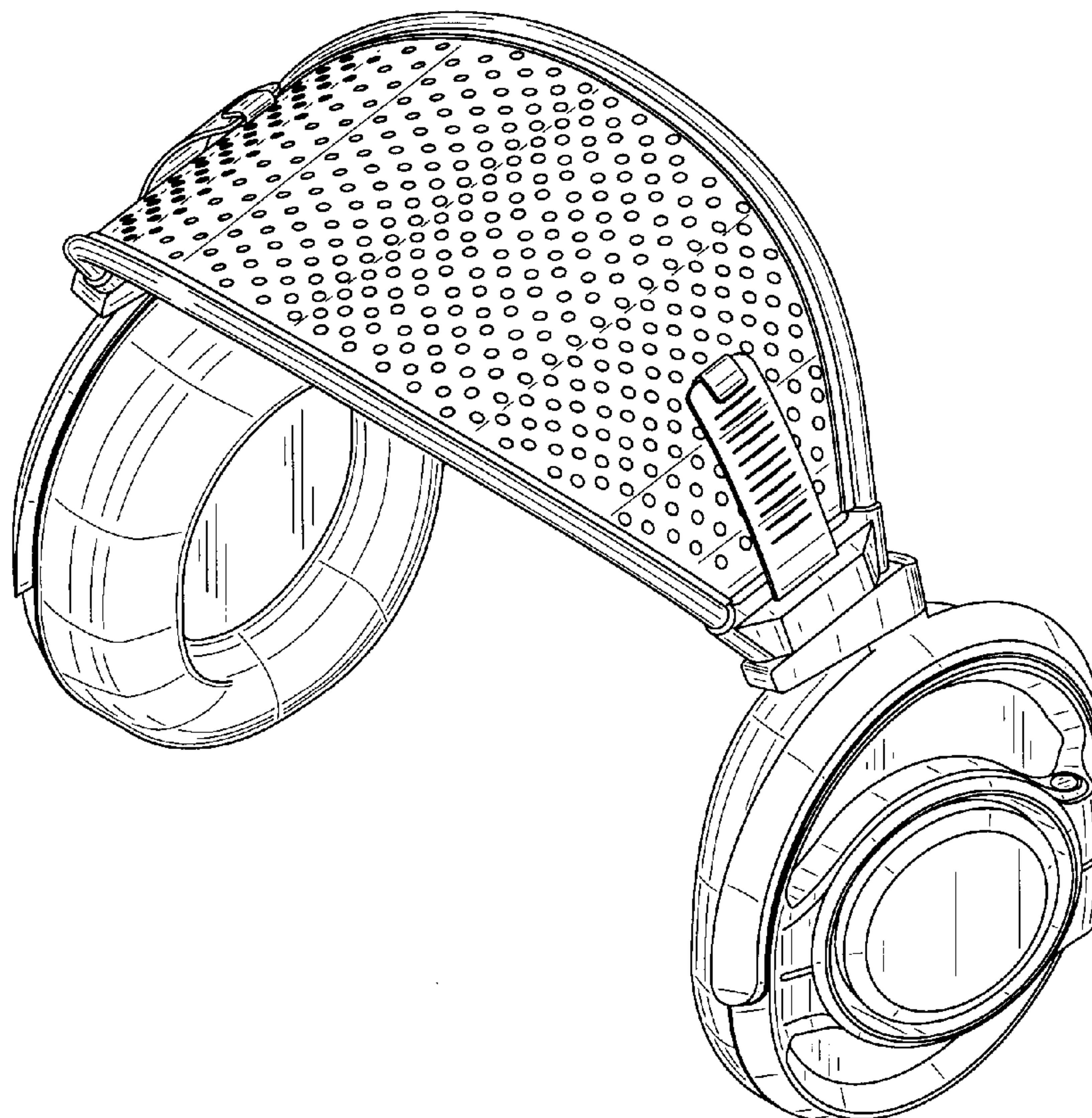


Fig. 1

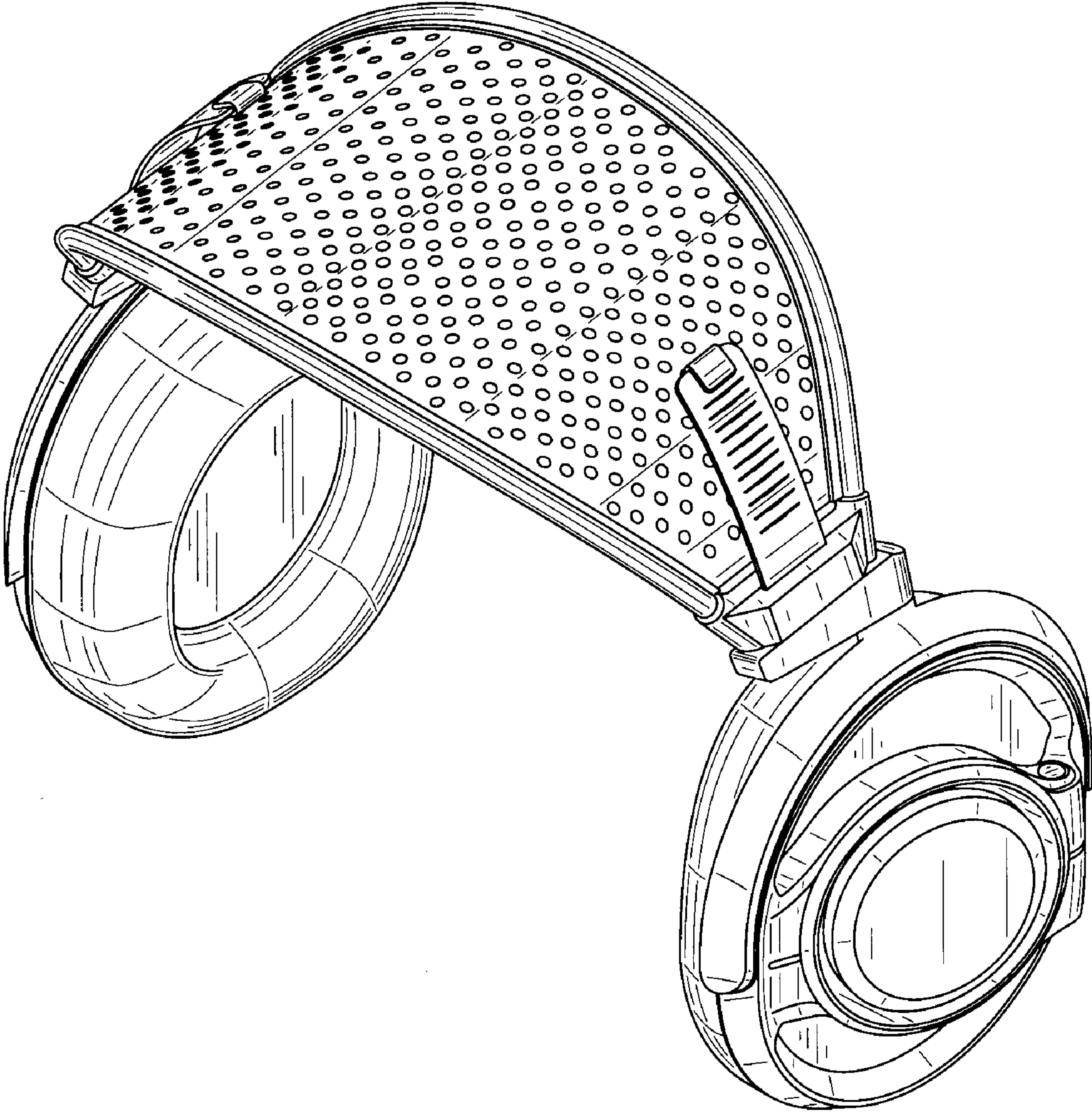




Fig.2

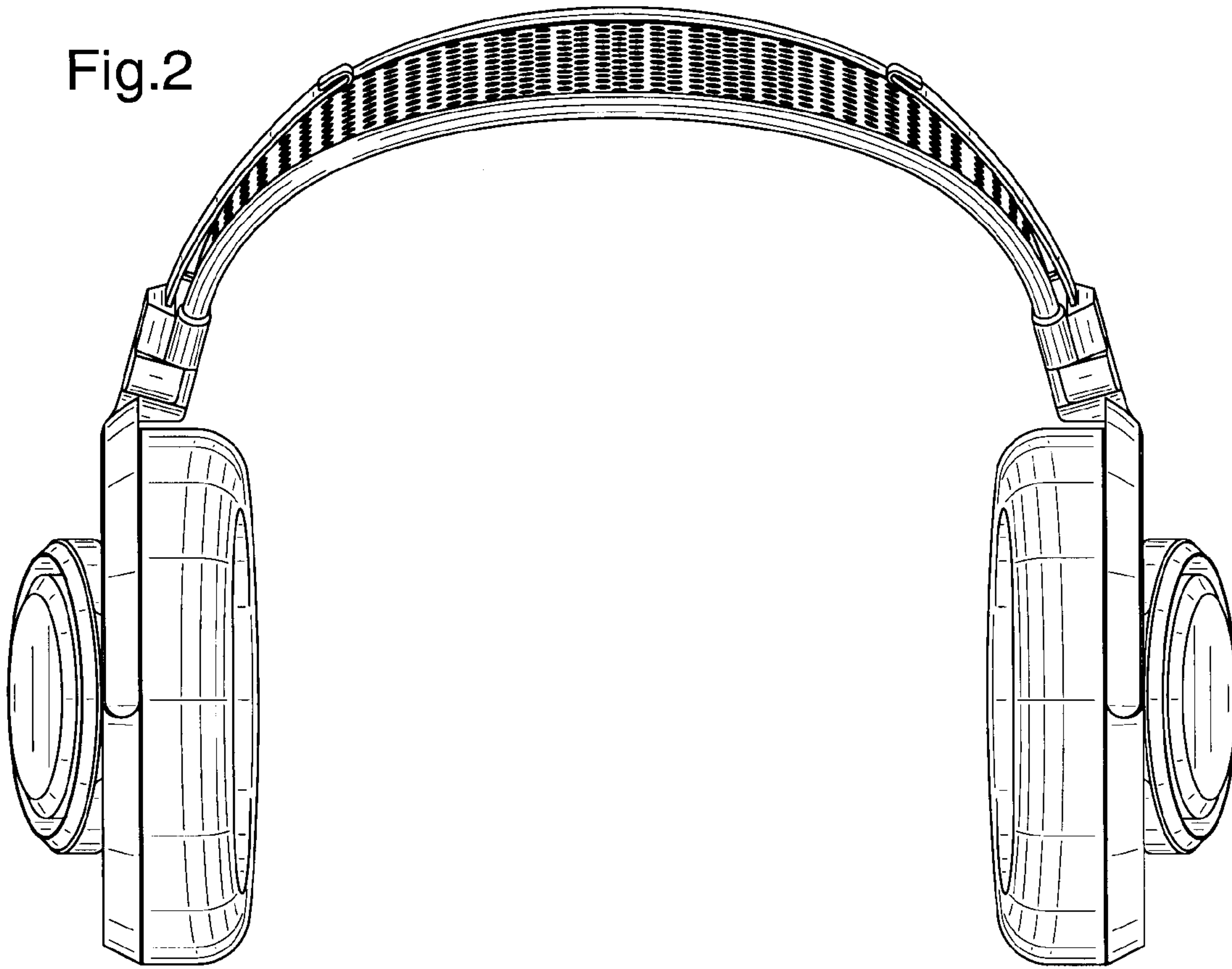


Fig.3

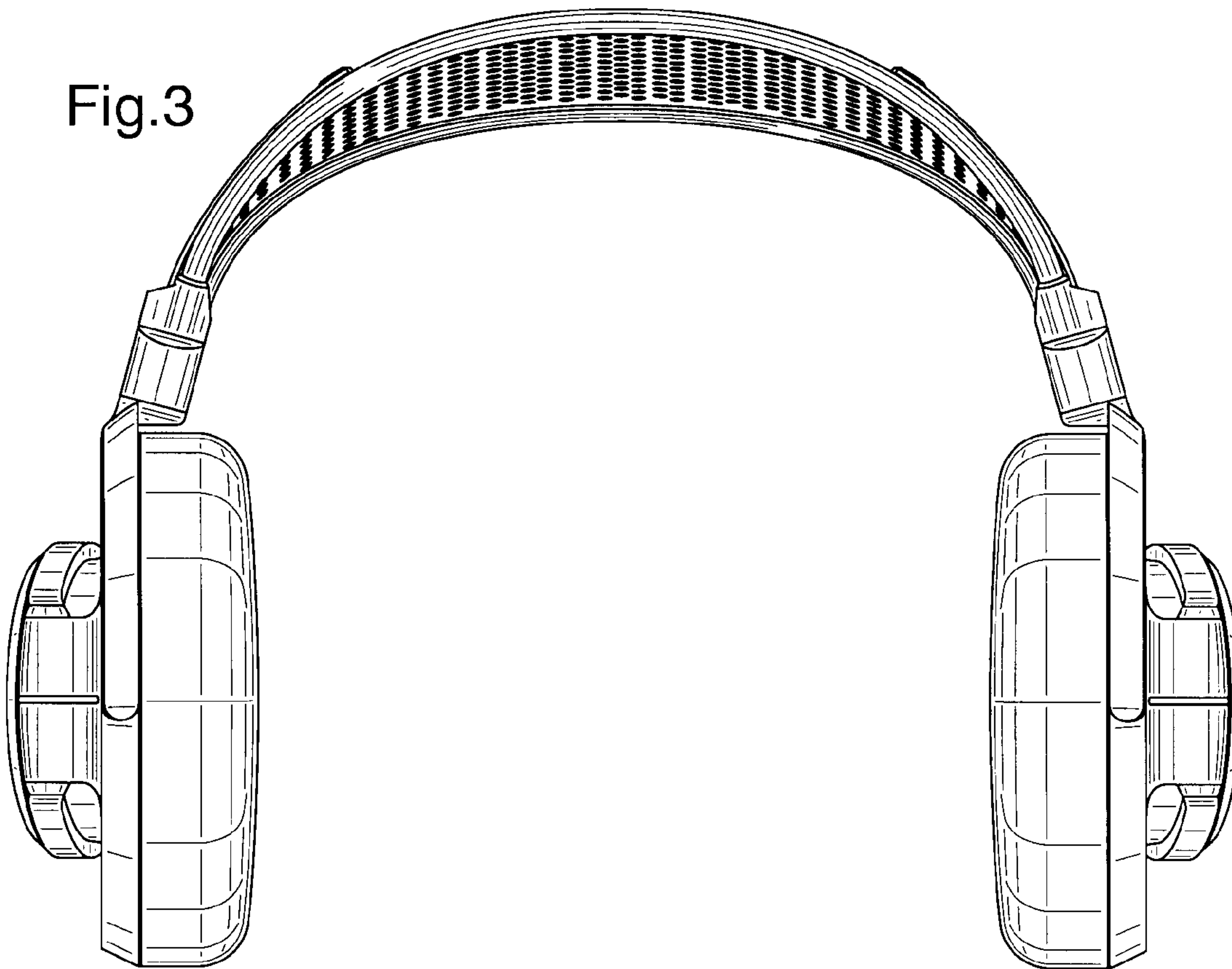


Fig.4

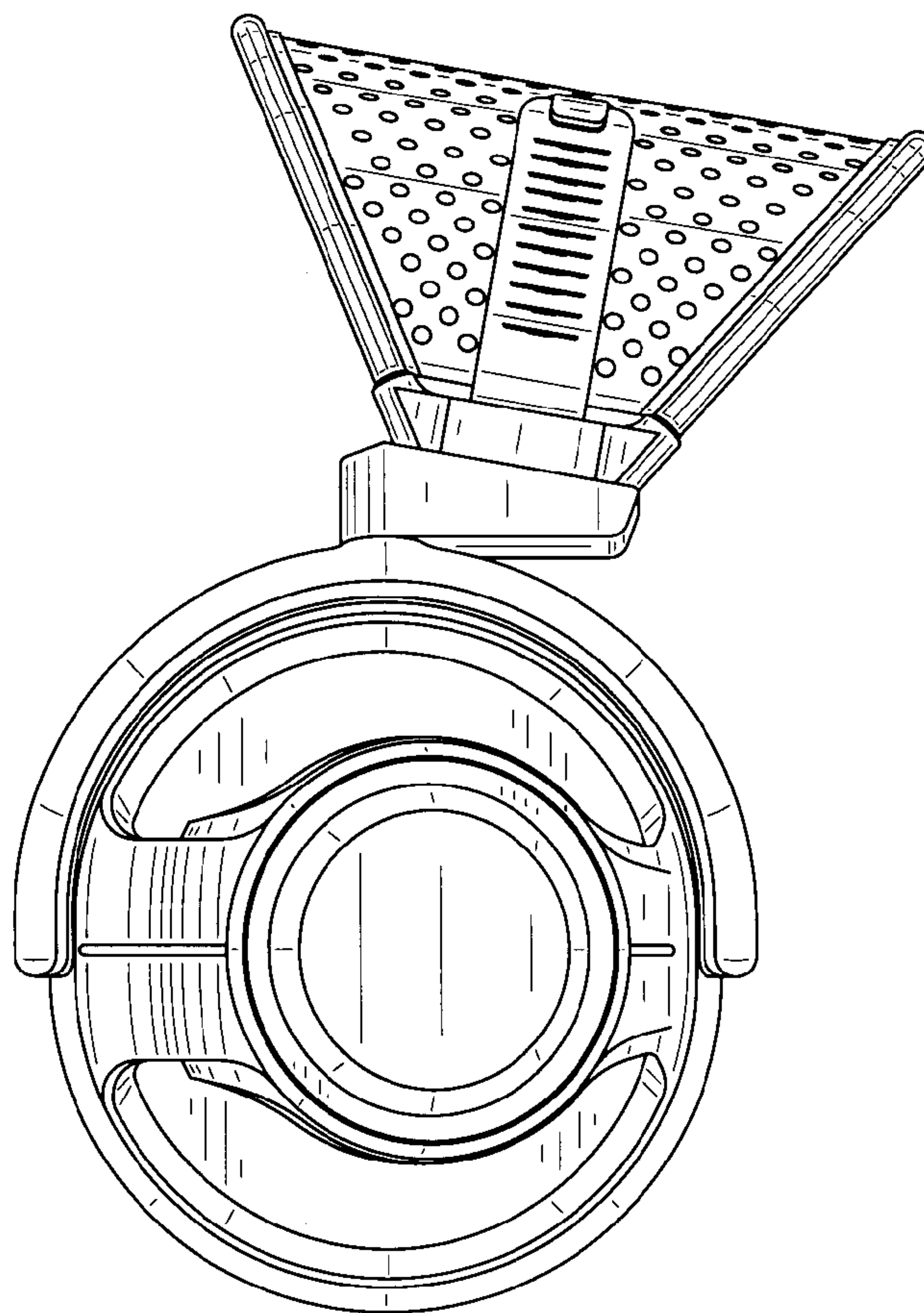


Fig.5

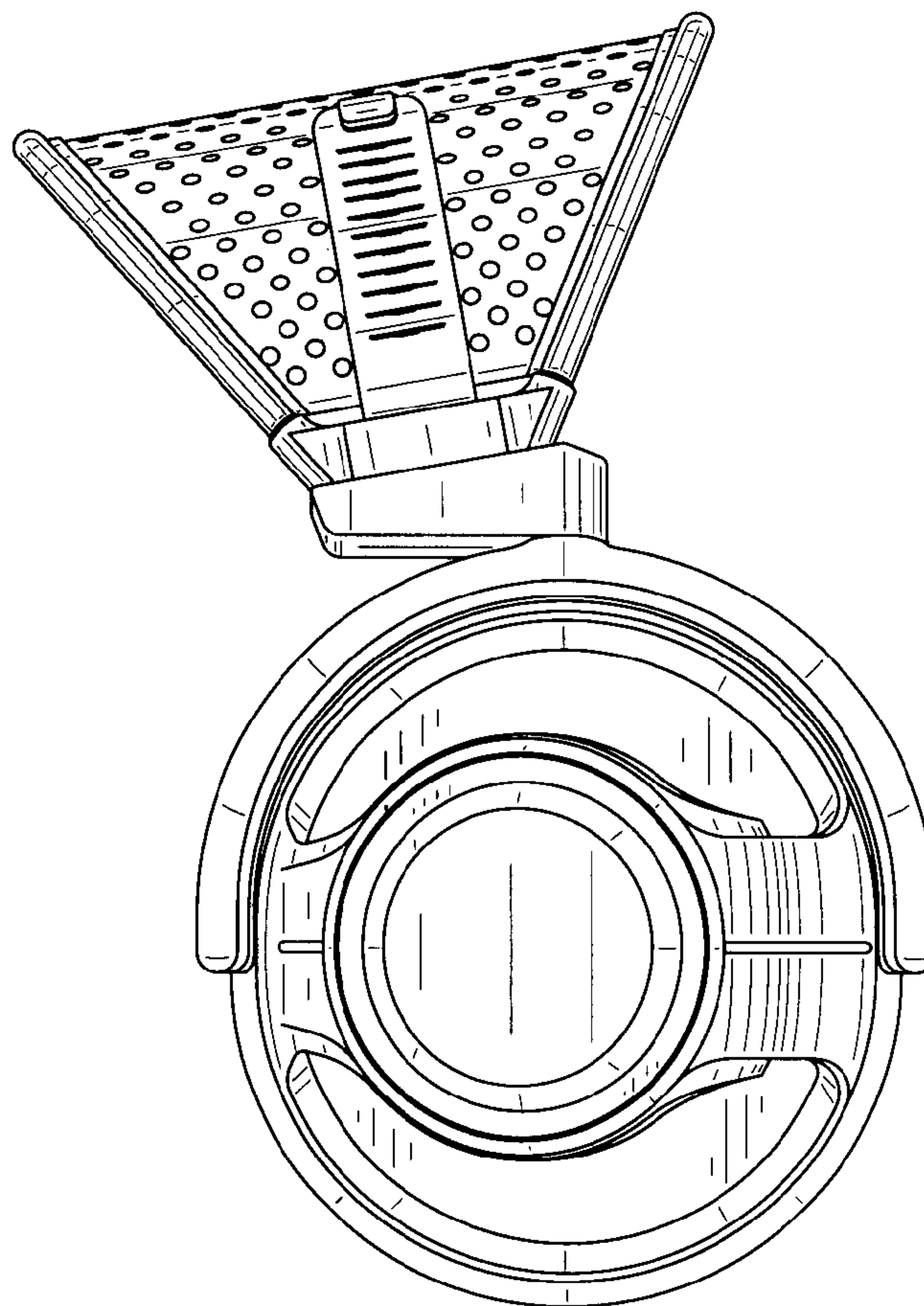


Fig.6

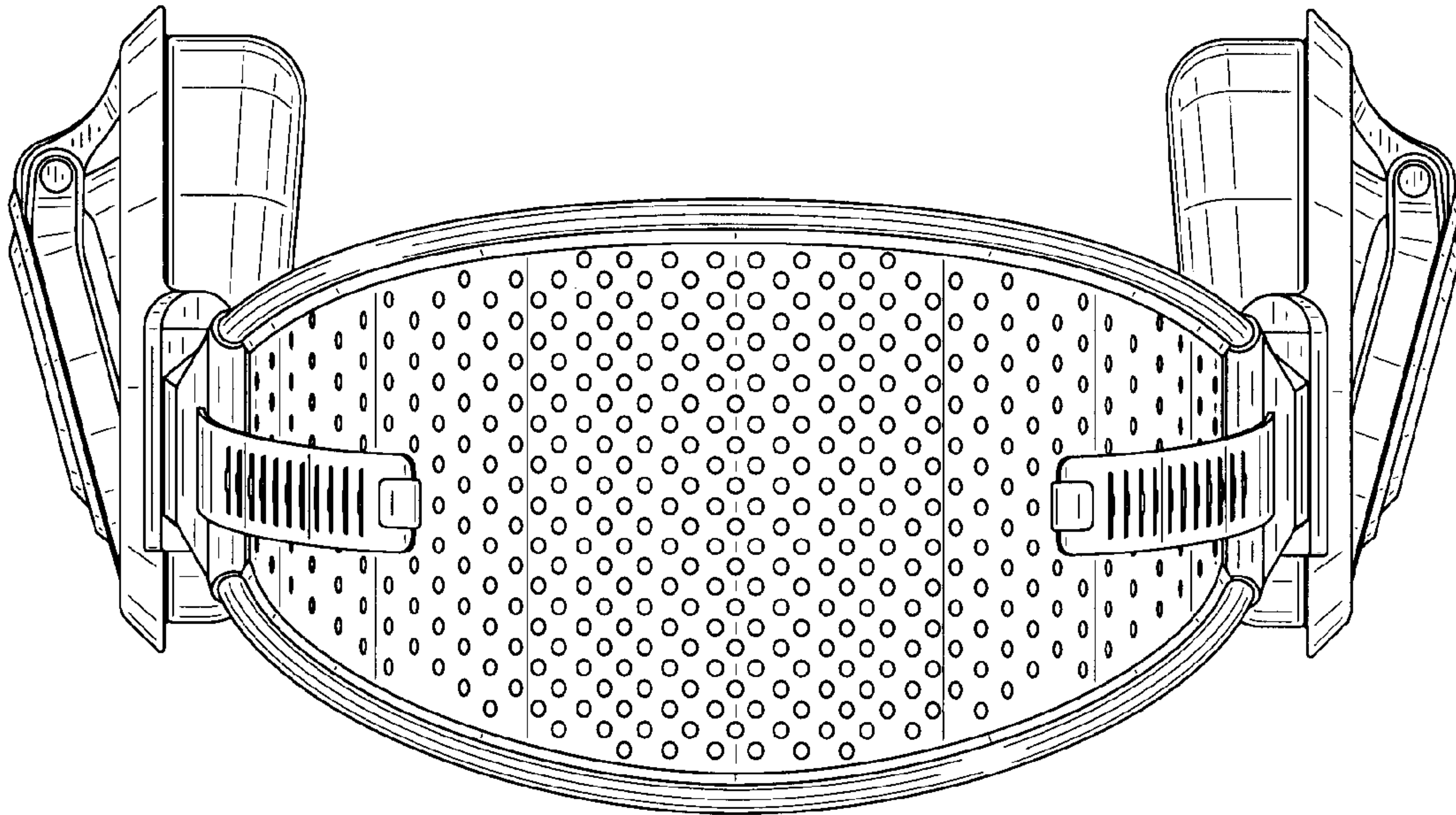


Fig.7

