



US00D518471S

(12) **United States Design Patent**
Deguchi

(10) **Patent No.:** **US D518,471 S**

(45) **Date of Patent:** **** Apr. 4, 2006**

(54) **COMBINED HARD DISK RECORDER AND
PLAYER AND RECORDER FOR MEDIA
STORAGE**

(75) Inventor: **Michio Deguchi**, Tokyo (JP)

(73) Assignee: **Sony Corporation**, Tokyo (JP)

(**) Term: **14 Years**

(21) Appl. No.: **29/229,561**

(22) Filed: **May 10, 2005**

(30) **Foreign Application Priority Data**

Feb. 18, 2005 (JP) D2005-004464

(51) **LOC (8) Cl.** **14-01**

(52) **U.S. Cl.** **D14/167**

(58) **Field of Classification Search** D14/258,
D14/257, 217, 198, 197, 196, 195, 194, 193,
D14/188, 168, 167, 162, 156, 136, 135, 368,
D14/165; 386/68, 91, 52; 455/350, 347, 344
See application file for complete search history.

(56) **References Cited**

U.S. PATENT DOCUMENTS

- D323,496 S * 1/1992 Shim D14/135
- D368,908 S 4/1996 Ikenaga
- D385,879 S 11/1997 Isonaga
- D414,183 S * 9/1999 Honjo D14/156
- D422,574 S * 4/2000 Fujii et al. D14/368
- D435,533 S 12/2000 Hayashi
- D466,876 S * 12/2002 Usami et al. D14/136
- D472,534 S * 4/2003 Ueno et al. D14/136
- D475,036 S * 5/2003 Tejima D14/168

- D479,519 S * 9/2003 Hisatsune D14/168
- D491,940 S * 6/2004 Narita D14/368
- D497,148 S * 10/2004 Kamata et al. D14/136
- D505,930 S * 6/2005 Oikawa D14/136
- D506,984 S * 7/2005 Oikawa D14/136

OTHER PUBLICATIONS

Web page "HDPS-M1" <http://ascii24.com/news/i/hard/article/2004/05/25/64746-000.html>, 4 sheets, ASCII Corporation (Feb. 2005).

Web page "PhotoBank" <http://www.transcend.co.jp/products/ModDetail.asp?ModNo=11&SpNo=12&LangNo=17>, 1 sheet, Transcend Corp. (Feb. 2005).

* cited by examiner

Primary Examiner—Cathron C. Brooks

Assistant Examiner—Austin Murphy

(74) *Attorney, Agent, or Firm*—Rader, Fishman & Grauer PLLC

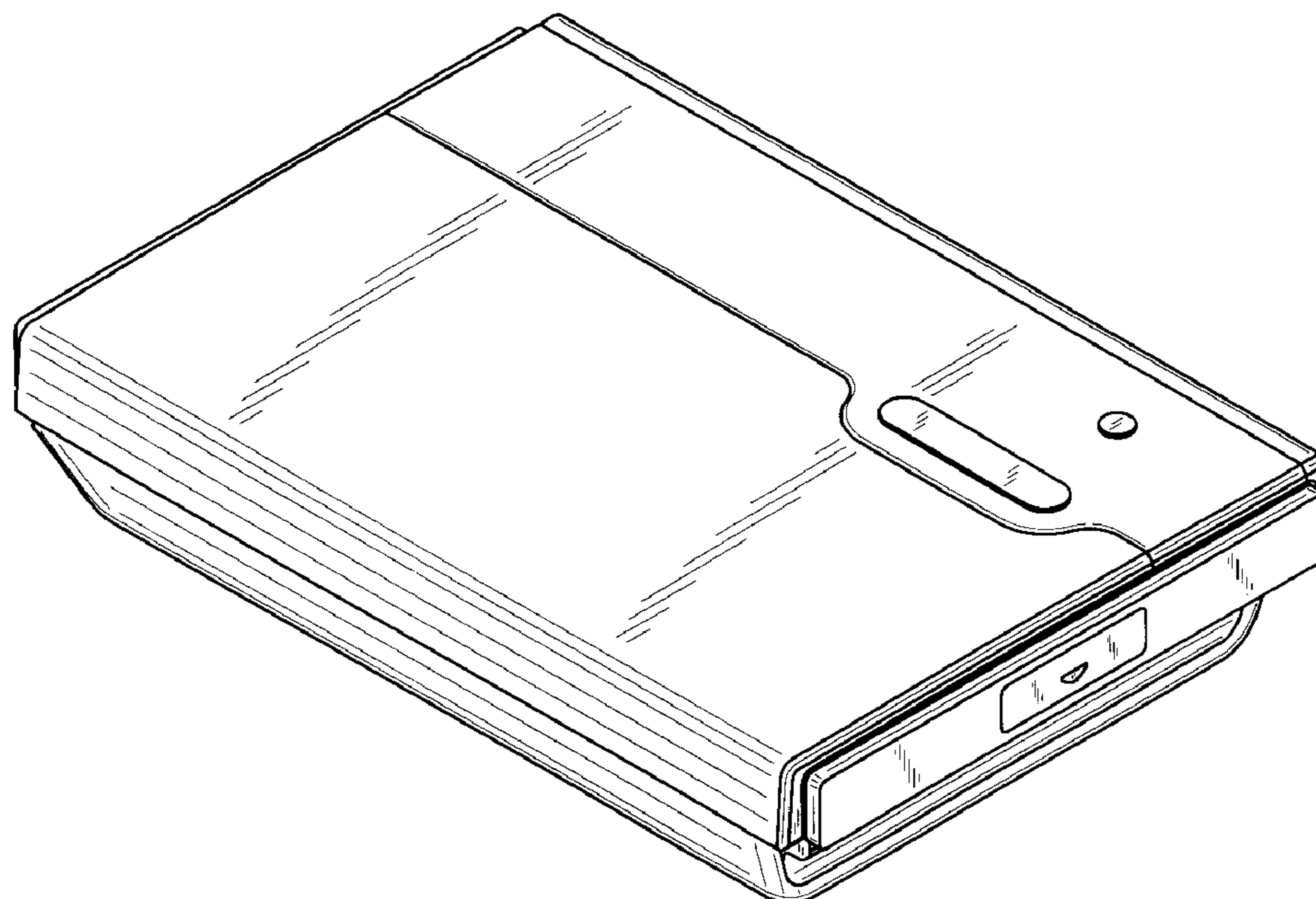
(57) **CLAIM**

The ornamental design for a combined hard disk player and recorder for media storage, as shown.

DESCRIPTION

FIG. 1 is a perspective view of a combined hard disk player and recorder for media storage showing my new design; FIG. 2 is a front elevational view thereof; FIG. 3 is a rear elevational view thereof; FIG. 4 is a left side elevational view thereof; FIG. 5 is a right side elevational view thereof; FIG. 6 is a top plan view thereof; and, FIG. 7 is a bottom plan view thereof.

1 Claim, 4 Drawing Sheets



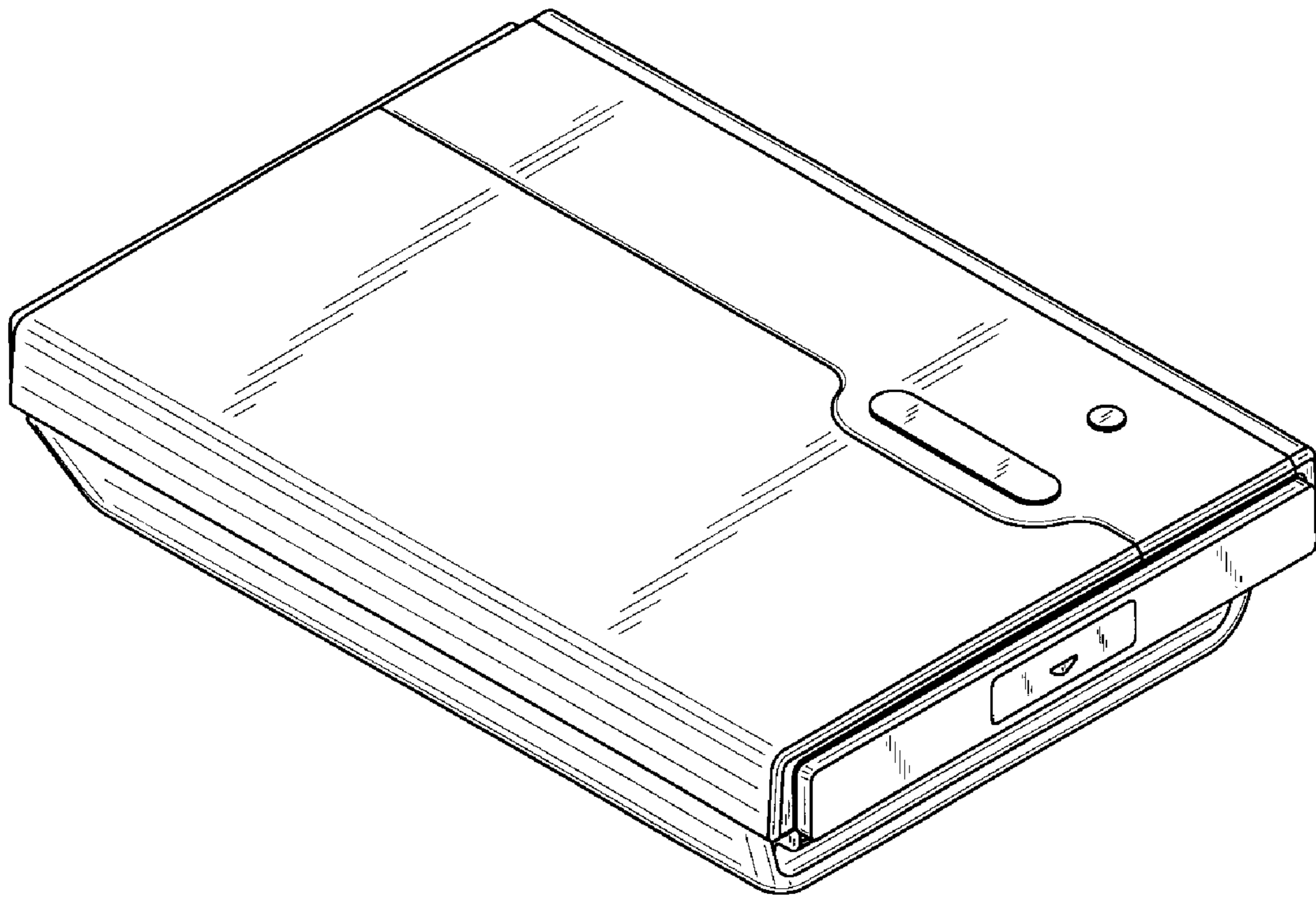


FIG. 1

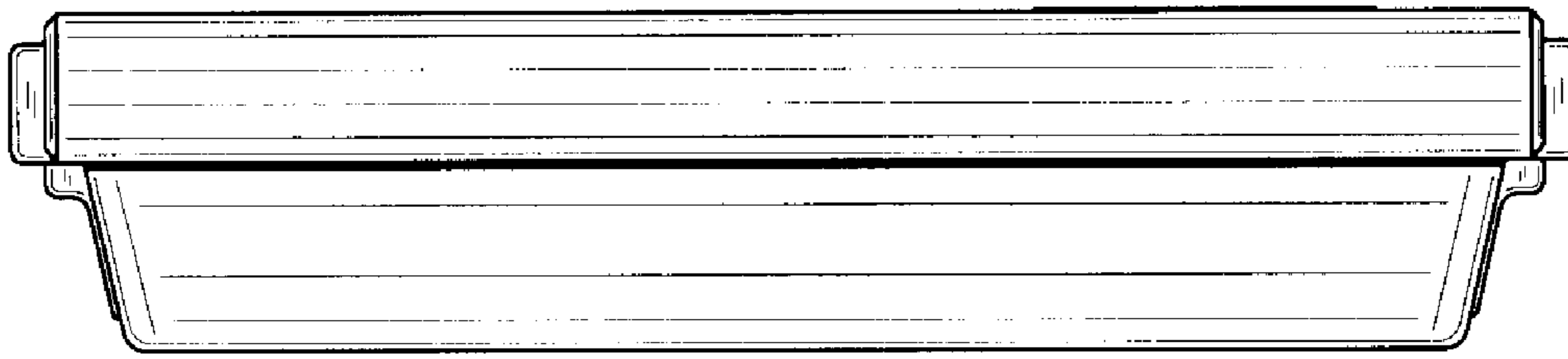


FIG. 2

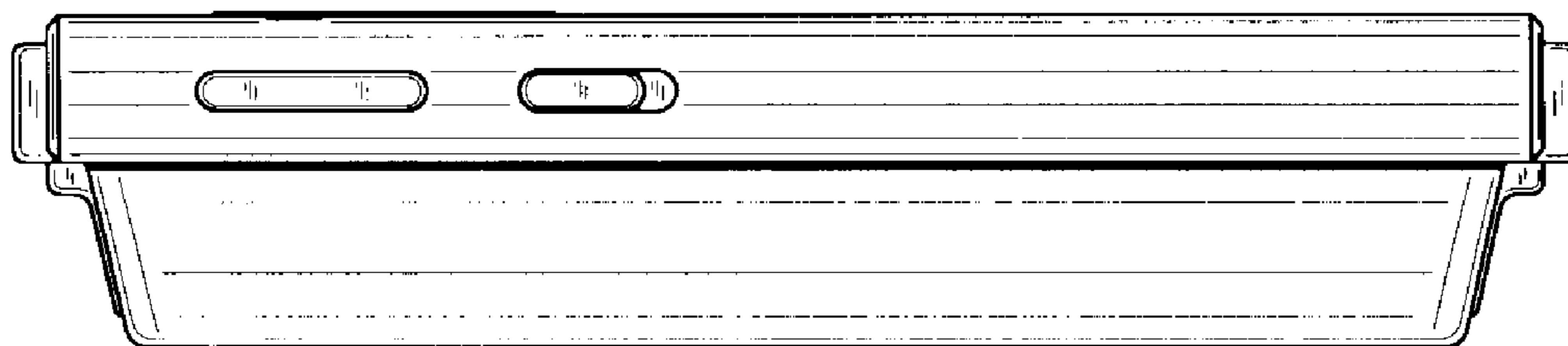


FIG. 3

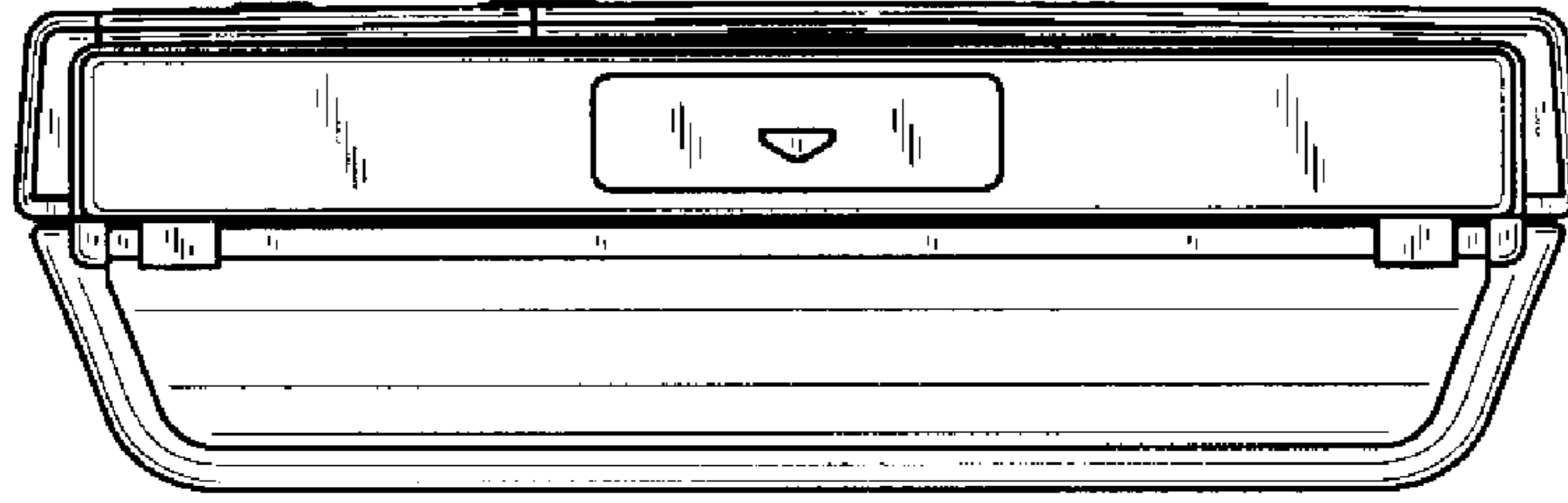


FIG. 4



FIG. 5

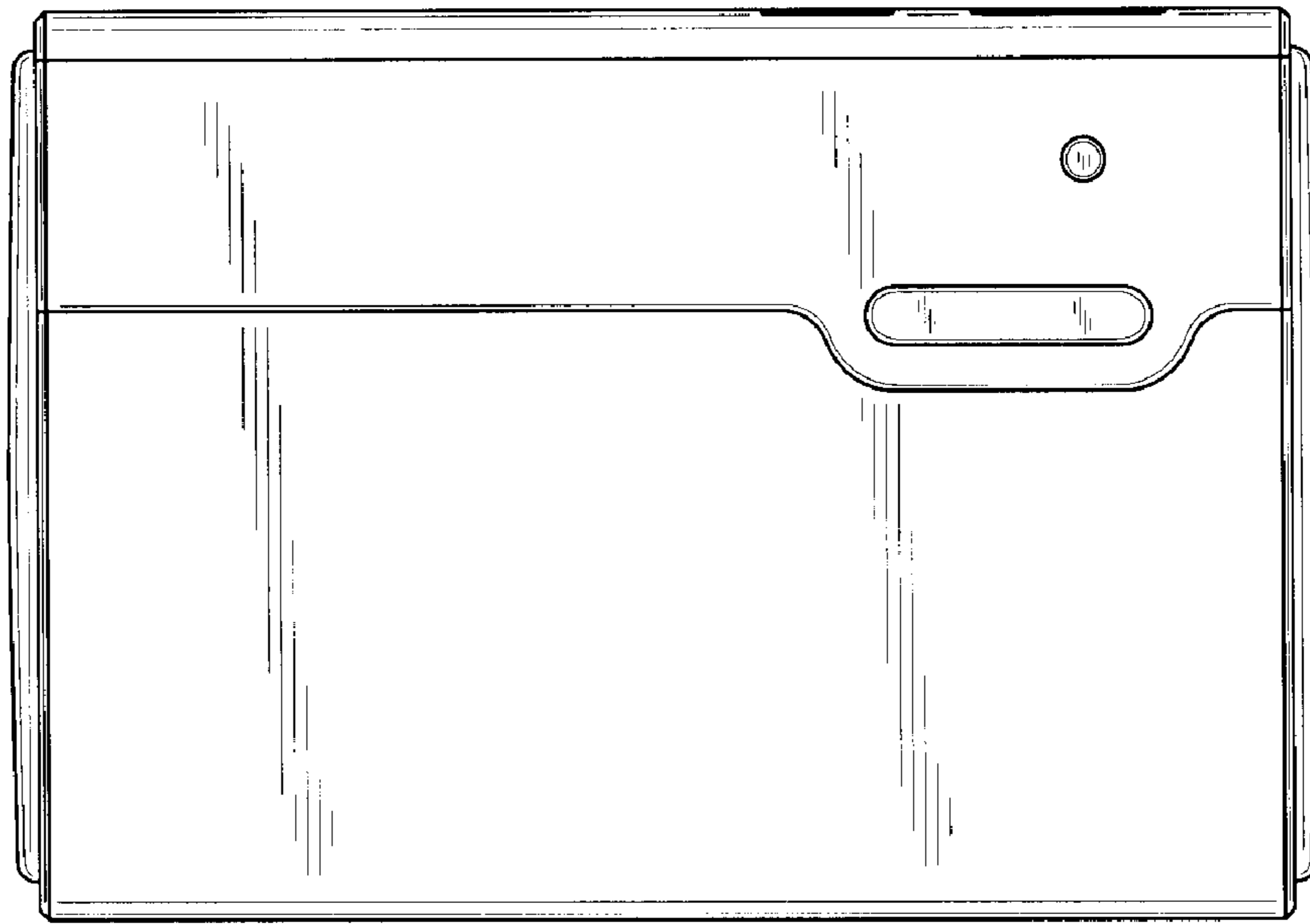


FIG. 6

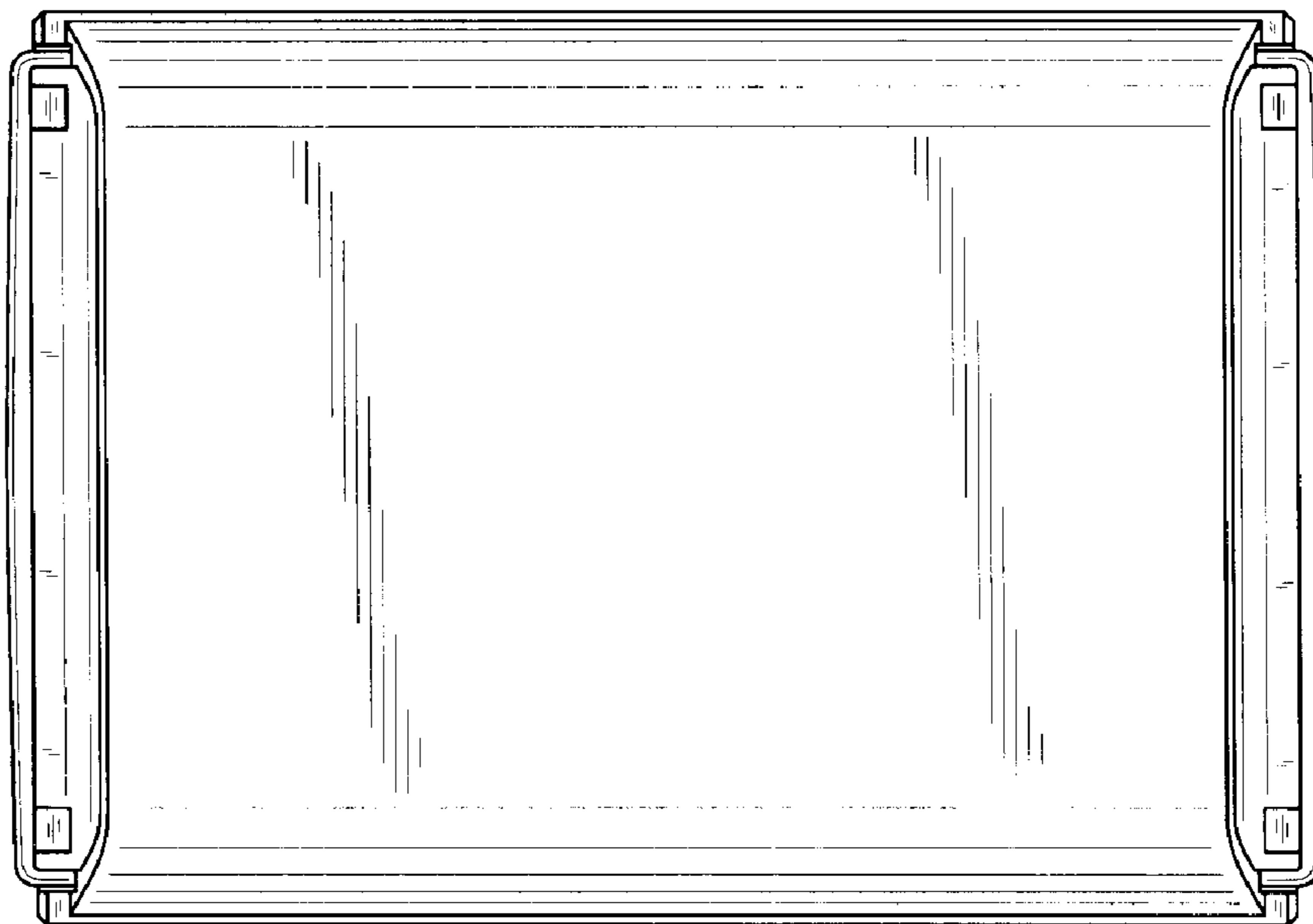


FIG. 7