



US00D518469S

(12) **United States Design Patent**  
**Barad**

(10) **Patent No.:** **US D518,469 S**

(45) **Date of Patent:** **\*\* Apr. 4, 2006**

(54) **REMOTE CONTROL IDENTIFICATION SYSTEM FOB**

(76) Inventor: **Beverly Barad**, 7766 Oak Bay Cir., Sacramento, CA (US) 95831

(\*\*) Term: **14 Years**

(21) Appl. No.: **29/228,518**

(22) Filed: **Apr. 25, 2005**

(51) **LOC (8) Cl.** ..... **14-03**

(52) **U.S. Cl.** ..... **D14/155; D10/121; D14/218**

(58) **Field of Classification Search** ..... D21/329, D21/513; D14/225, 217, 137, 138, 218, 191; D10/104, 106, 121, 116; D3/230, 280; D13/184, D13/168; 374/572.9; 70/57.1, 30; 340/539.3, 340/426.25, 426.24, 426.19, 426.1, 426.21; 455/84, 575.8; 206/305; 382/115, 118; 235/376; 713/185

See application file for complete search history.

(56) **References Cited**

**U.S. PATENT DOCUMENTS**

D398,904 S \* 9/1998 Tamaki et al. .... D14/341

D416,253 S \* 11/1999 Hibino ..... D14/138  
D416,910 S \* 11/1999 Vasquez ..... D14/218  
D448,757 S \* 10/2001 Okubo ..... D14/218  
D492,665 S \* 7/2004 Lee ..... D14/218  
D496,643 S \* 9/2004 Yoo et al. .... D14/138  
D508,029 S \* 8/2005 Lee ..... D14/138  
2002/0083744 A1 \* 7/2002 Lai ..... 70/30  
2003/0156740 A1 \* 8/2003 Siegel et al. .... 382/115

\* cited by examiner

*Primary Examiner*—Cathron C. Brooks

*Assistant Examiner*—Austin Murphy

(74) *Attorney, Agent, or Firm*—Mark C. Jacobs, Esq.

(57) **CLAIM**

The ornamental design for remote control identification system FOB, as shown and described.

**DESCRIPTION**

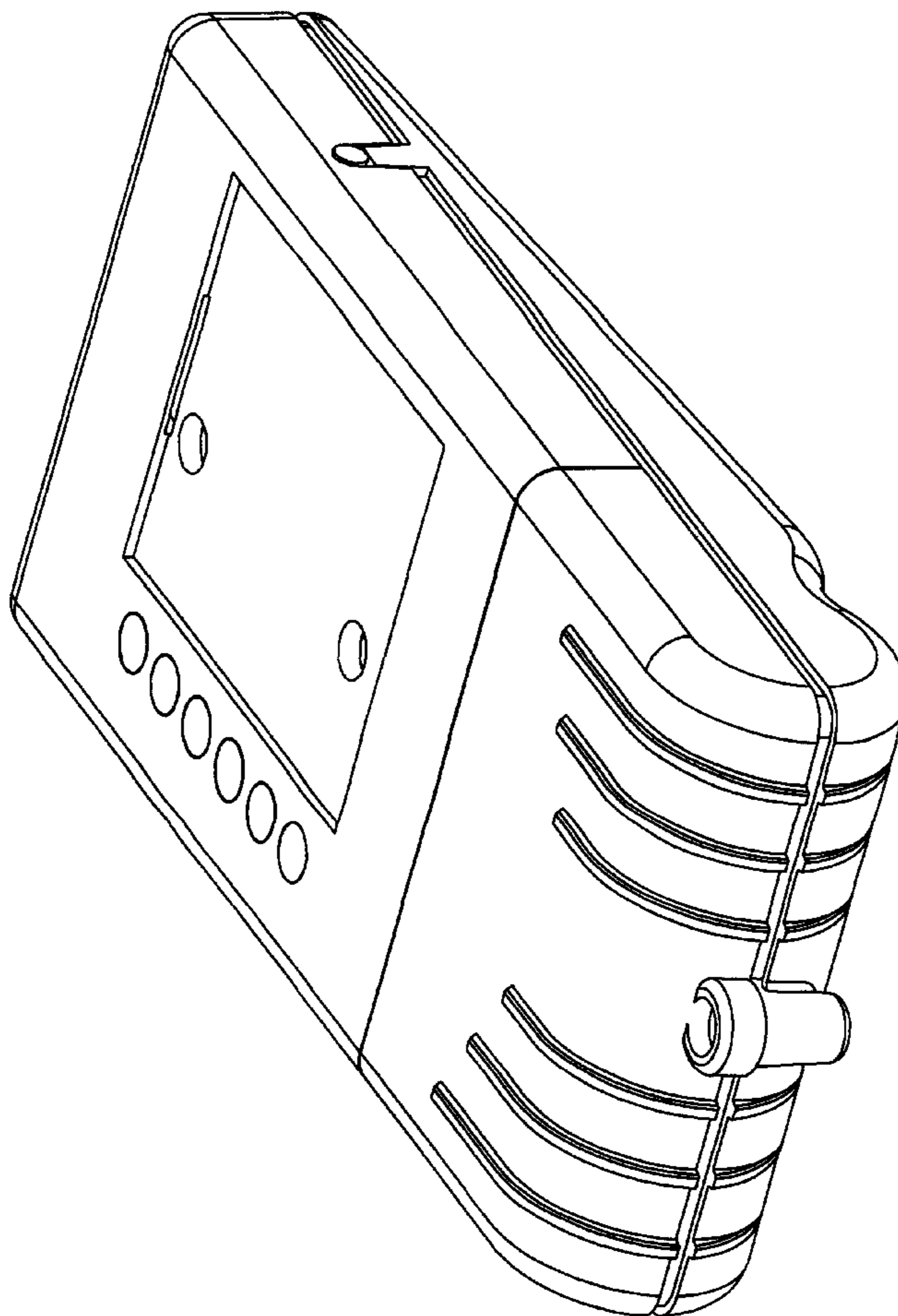
FIG. 1 is a top left front perspective view of a remote control identification system FOB;

FIG. 2 is a top right front perspective view thereof;

FIG. 3 is a bottom left side perspective thereof; and,

FIG. 4 is a bottom right side perspective thereof.

**1 Claim, 4 Drawing Sheets**



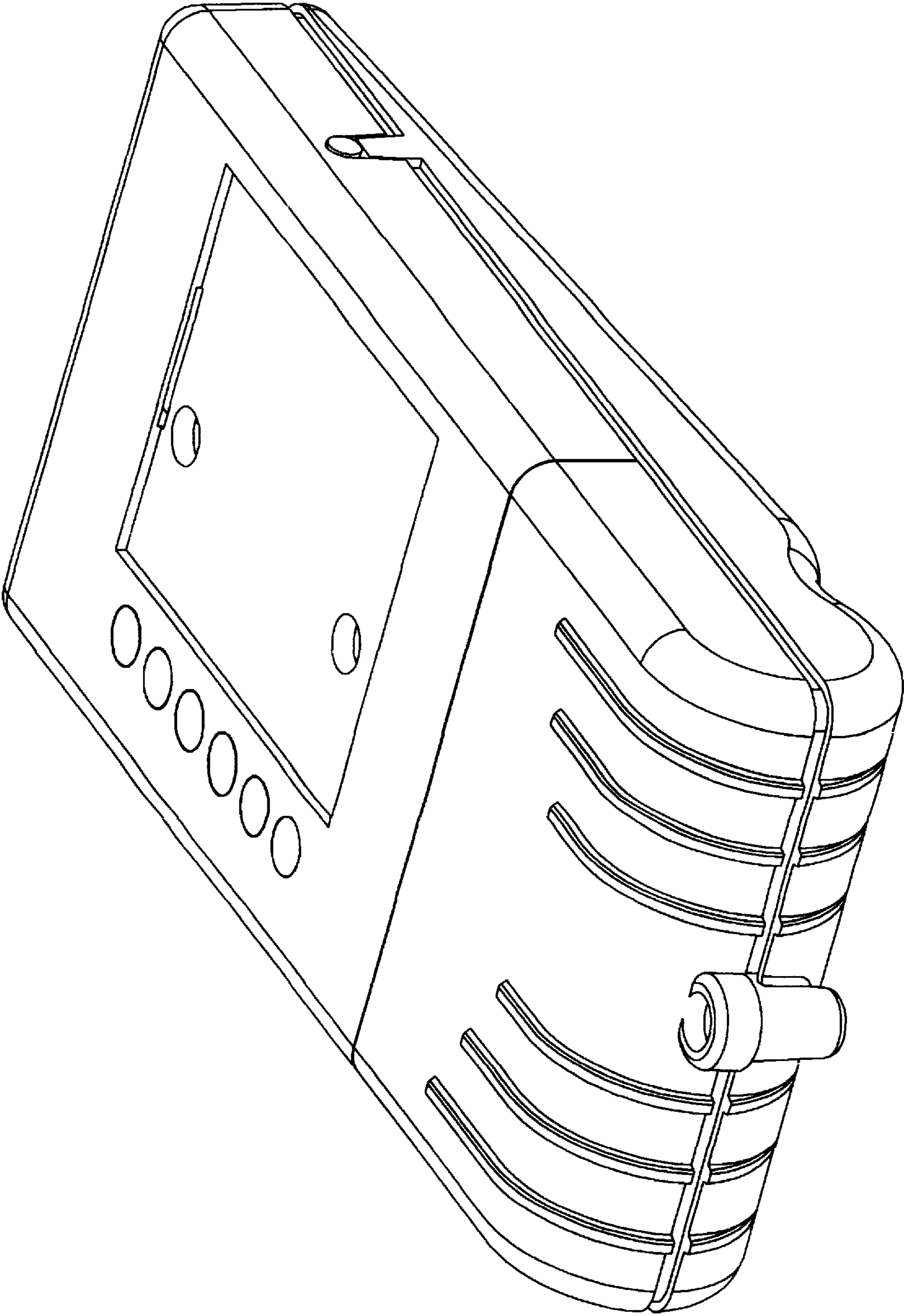


FIGURE 1

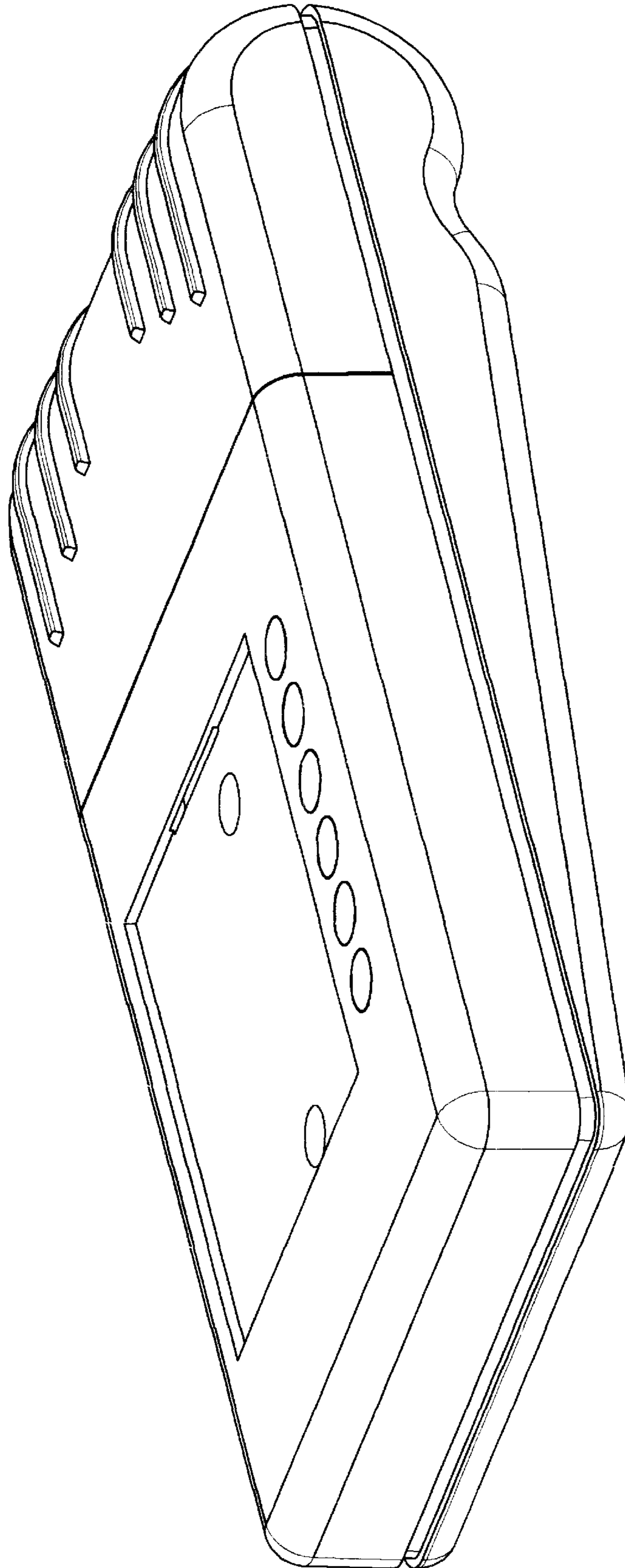


FIGURE 2

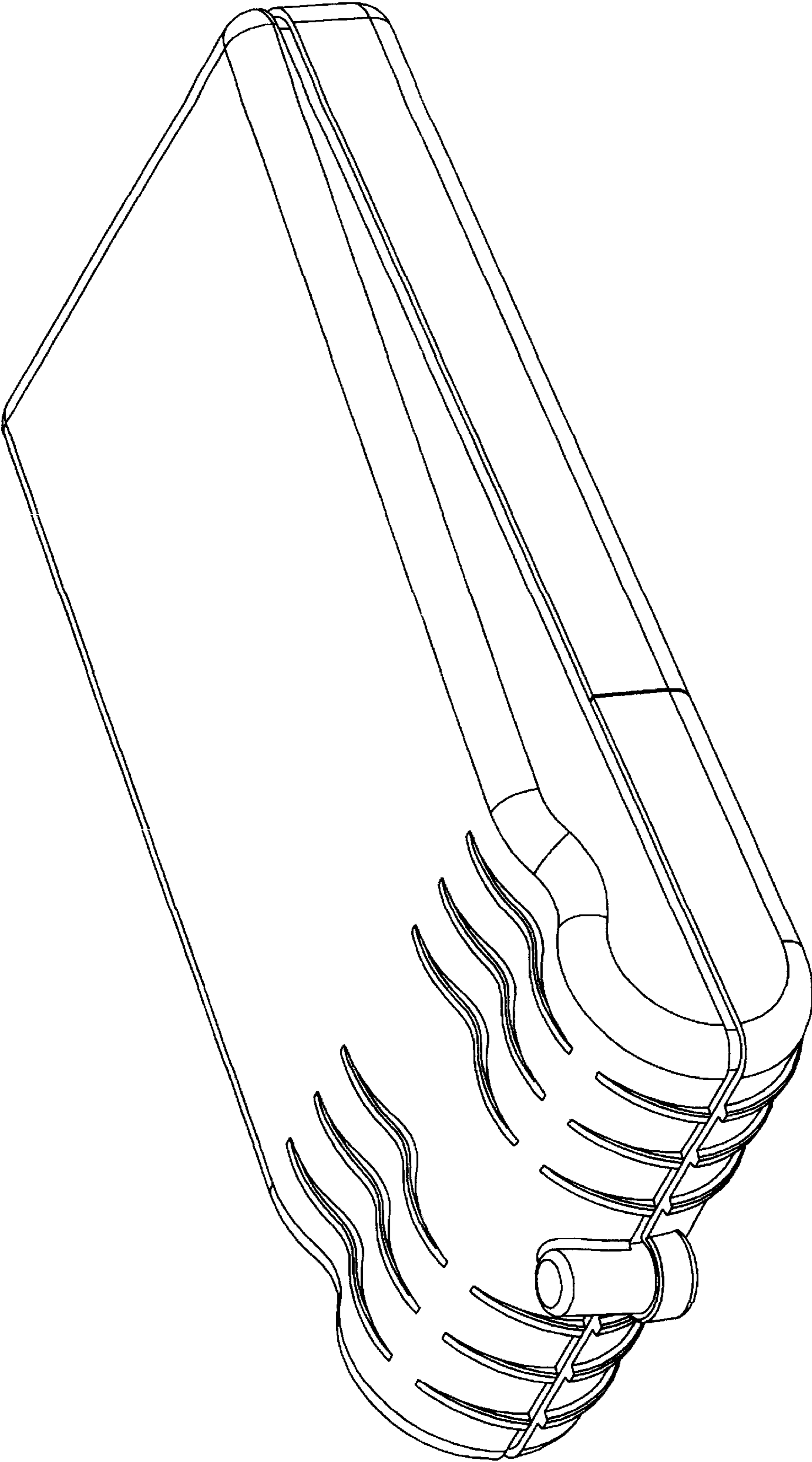


FIGURE 3

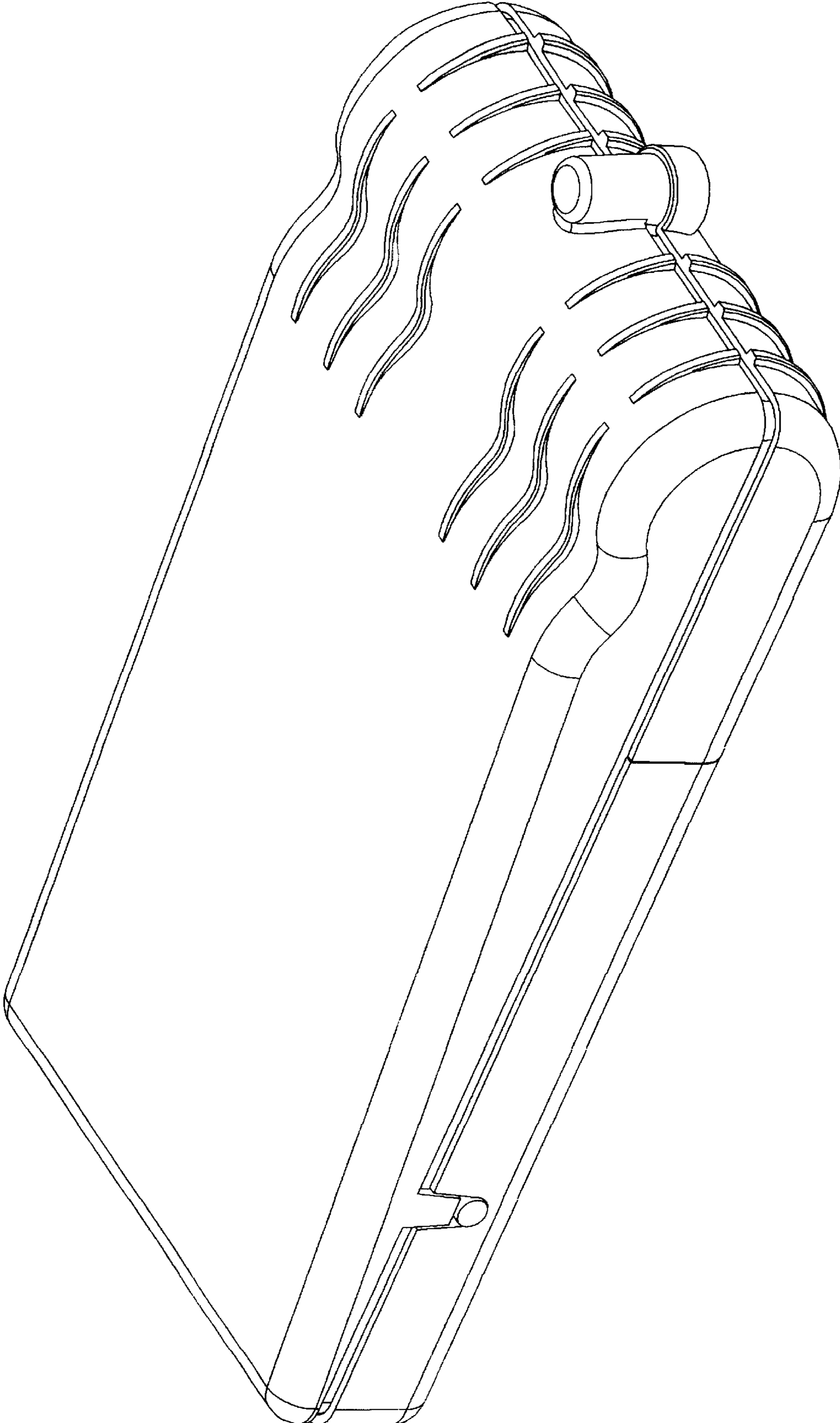


FIGURE 4