



US00D518466S

(12) **United States Design Patent**
Kim et al.

(10) **Patent No.:** **US D518,466 S**

(45) **Date of Patent:** **** Apr. 4, 2006**

(54) **CELLULAR PHONE**

(75) Inventors: **Nam Mi Kim**, Seoul (KR); **Chang Hwan Hwang**, Kyunggi-do (KR); **Jin Soo Kim**, Seoul (KR); **Jong Hoon Oh**, Seoul (KR)

(73) Assignee: **Samsung Electronics Co., Ltd.** (KR)

(**) Term: **14 Years**

(21) Appl. No.: **29/221,389**

(22) Filed: **Jan. 15, 2005**

(30) **Foreign Application Priority Data**

Jan. 7, 2005 (KR) 30-2005-0000406

(51) **LOC (8) Cl.** **14-03**

(52) **U.S. Cl.** **D14/138**

(58) **Field of Classification Search** D14/137, D14/138, 147-148, 247-248, 144, 341-347; 379/433.01-433.13, 434; D21/517; 455/575.3, 455/566, 575.1; 345/169; 348/376, 14.02
See application file for complete search history.

(56) **References Cited**

U.S. PATENT DOCUMENTS

D432,510 S	*	10/2000	Hyun	D14/138
D455,414 S	*	4/2002	Lee et al.	D14/138
D465,466 S	*	11/2002	Hyun	D14/138
D468,283 S	*	1/2003	Hong et al.	D14/138
D468,713 S	*	1/2003	Lee et al.	D14/138
D475,689 S	*	6/2003	Shimazu et al.	D14/138
D485,817 S	*	1/2004	Liao et al.	D14/138
D487,443 S	*	3/2004	Yoon	D14/138
D488,144 S	*	4/2004	Hwang	D14/138
D490,389 S	*	5/2004	Yang	D14/138
D491,908 S	*	6/2004	Son	D14/138
D494,945 S	*	8/2004	Jang	D14/138
D494,946 S	*	8/2004	Rausch et al.	D14/138
D495,672 S	*	9/2004	Jeon et al.	D14/138
D497,604 S	*	10/2004	Lee	D14/138
D498,220 S	*	11/2004	Park	D14/138
D500,016 S	*	12/2004	Kim	D14/138
D501,839 S	*	2/2005	Lee et al.	D14/138

D502,457 S	*	3/2005	Eigenstetter et al.	D14/138
D502,458 S	*	3/2005	Chung et al.	D14/138
D503,695 S	*	4/2005	Kota et al.	D14/138
D505,125 S	*	5/2005	Ahn et al.	D14/138
D505,126 S	*	5/2005	Ahn et al.	D14/138
D506,738 S	*	6/2005	Kim et al.	D14/138
D508,030 S	*	8/2005	Jeoung et al.	D14/138
D508,033 S	*	8/2005	Kim et al.	D14/138
D508,239 S	*	8/2005	Kim et al.	D14/138
D508,476 S	*	8/2005	Kim	D14/138
D508,684 S	*	8/2005	Lee et al.	D14/138
D508,686 S	*	8/2005	Kim et al.	D14/138
D510,078 S	*	9/2005	Lee et al.	D14/138
D510,079 S	*	9/2005	Kim et al.	D14/138
2004/0248625 A1	*	12/2004	Yoshida et al.	455/575.1

FOREIGN PATENT DOCUMENTS

JP	1154363	*	9/2002
JP	1167658	*	3/2003
JP	1167659	*	3/2003

* cited by examiner

Primary Examiner—Jeffrey Asch

(74) *Attorney, Agent, or Firm*—Irving Keschner

(57) **CLAIM**

The ornamental design for cellular phone, as shown.

DESCRIPTION

FIG. 1 is a perspective view of the ornamental design of the present invention;
FIG. 2 is a front elevational view of the ornamental design of the present invention;
FIG. 3 is a rear elevational view of the ornamental design of the present invention;
FIG. 4 is a left side elevational view of the ornamental design of the present invention;
FIG. 5 is a right side elevational view of the ornamental design of the present invention;
FIG. 6 is a top plan view of the ornamental design of the present invention; and,
FIG. 7 is a bottom view of the ornamental design of the present invention.

1 Claim, 3 Drawing Sheets

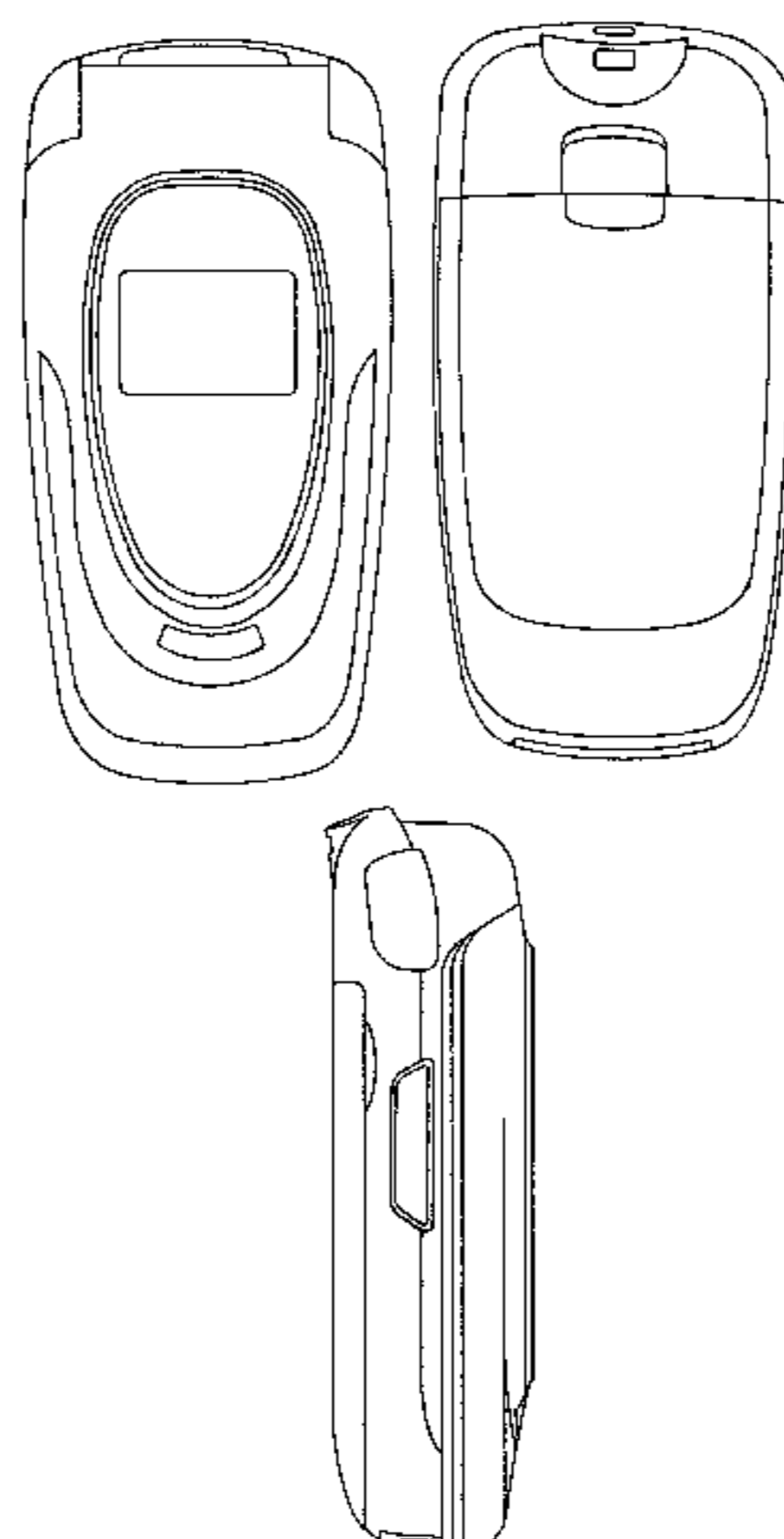


FIG. 1

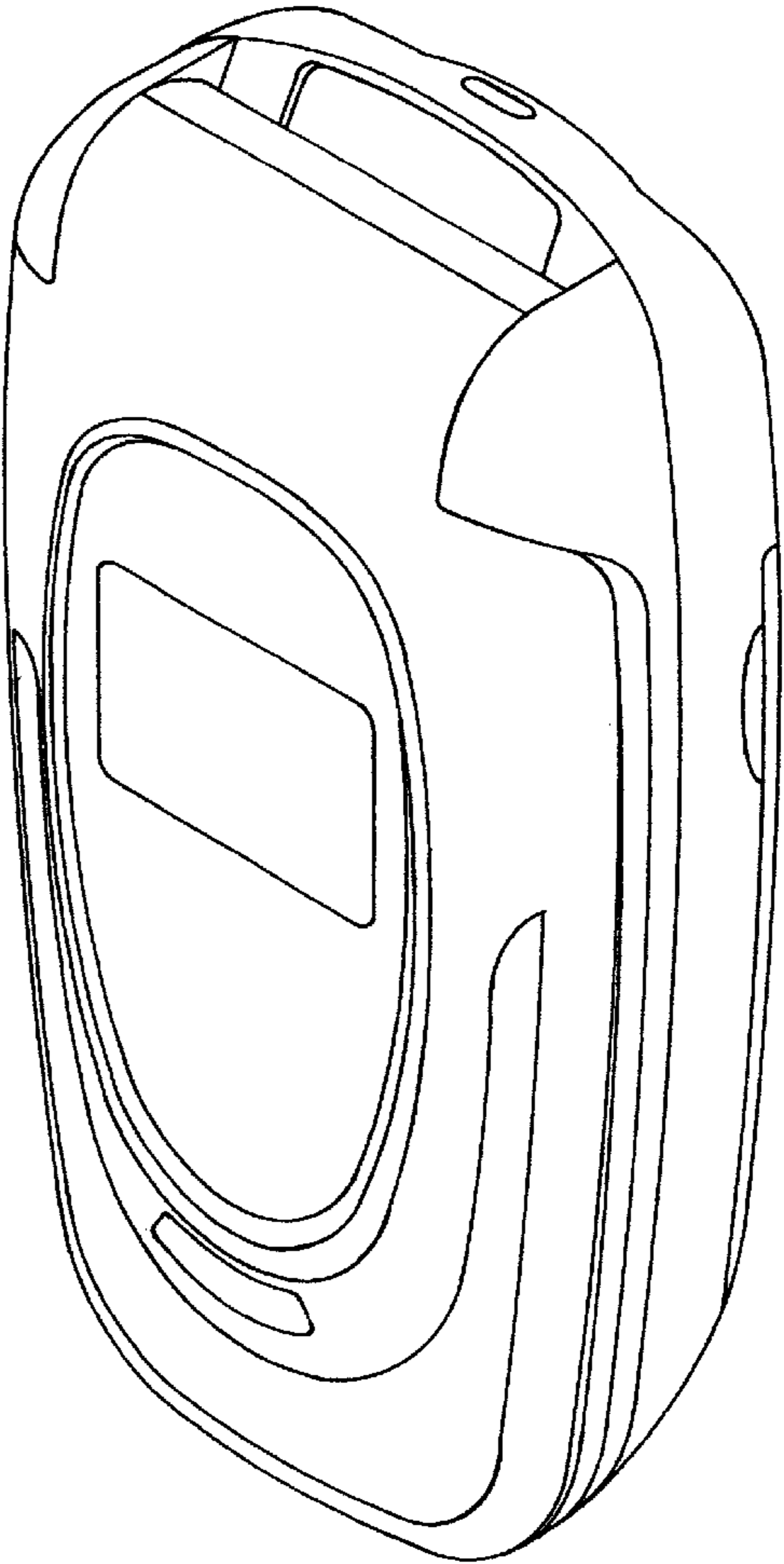
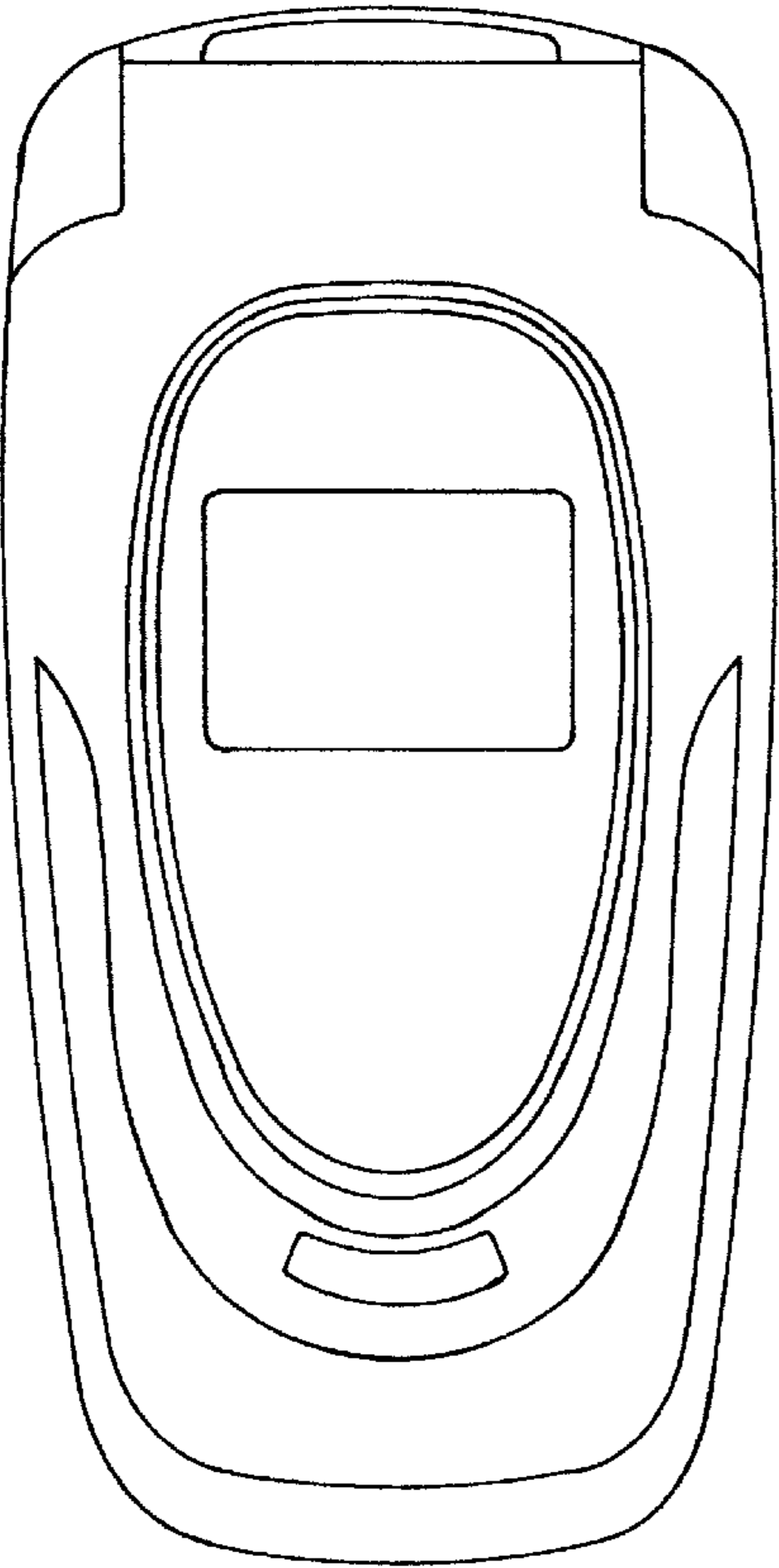


FIG. 2



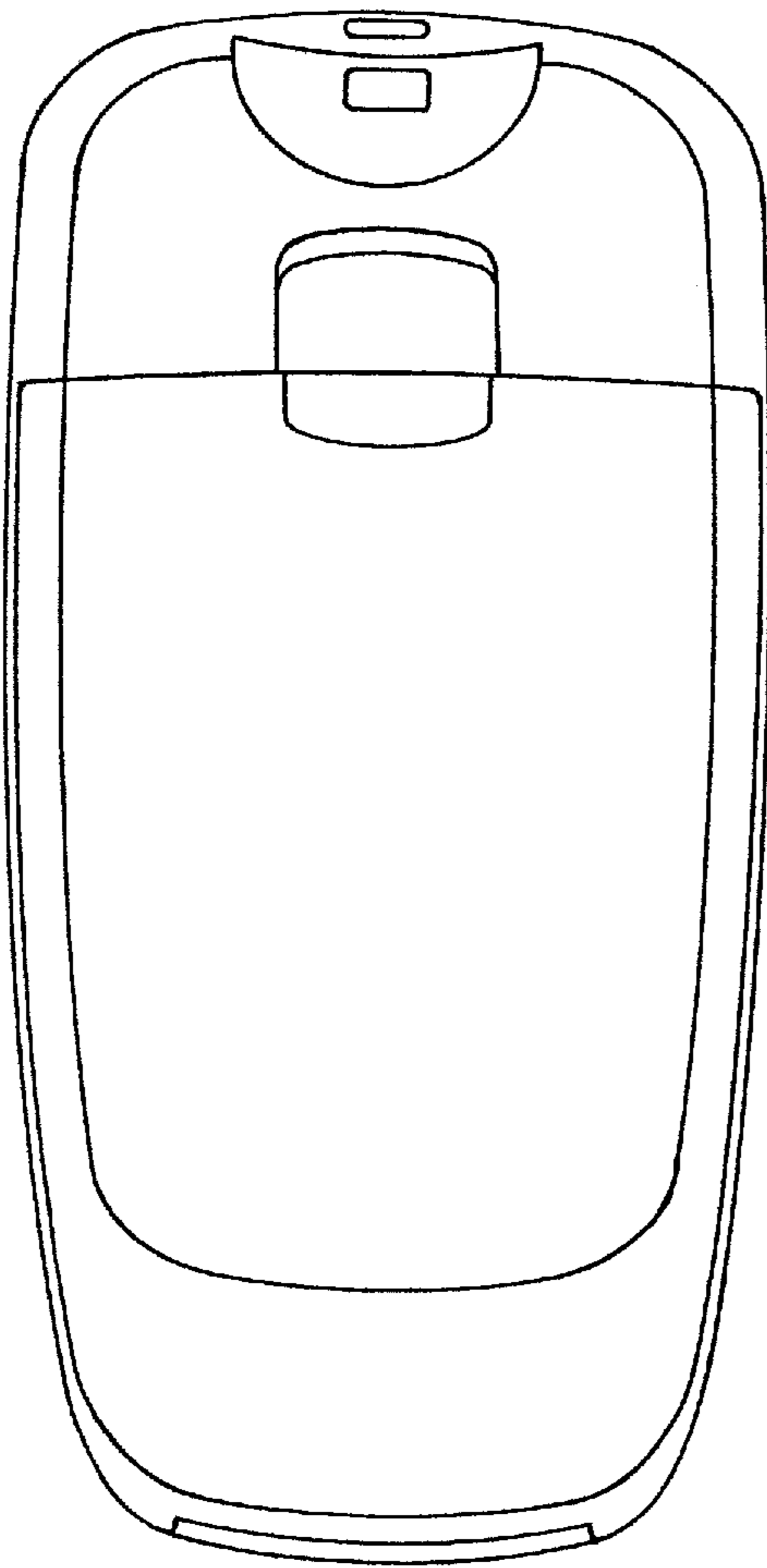


FIG. 3

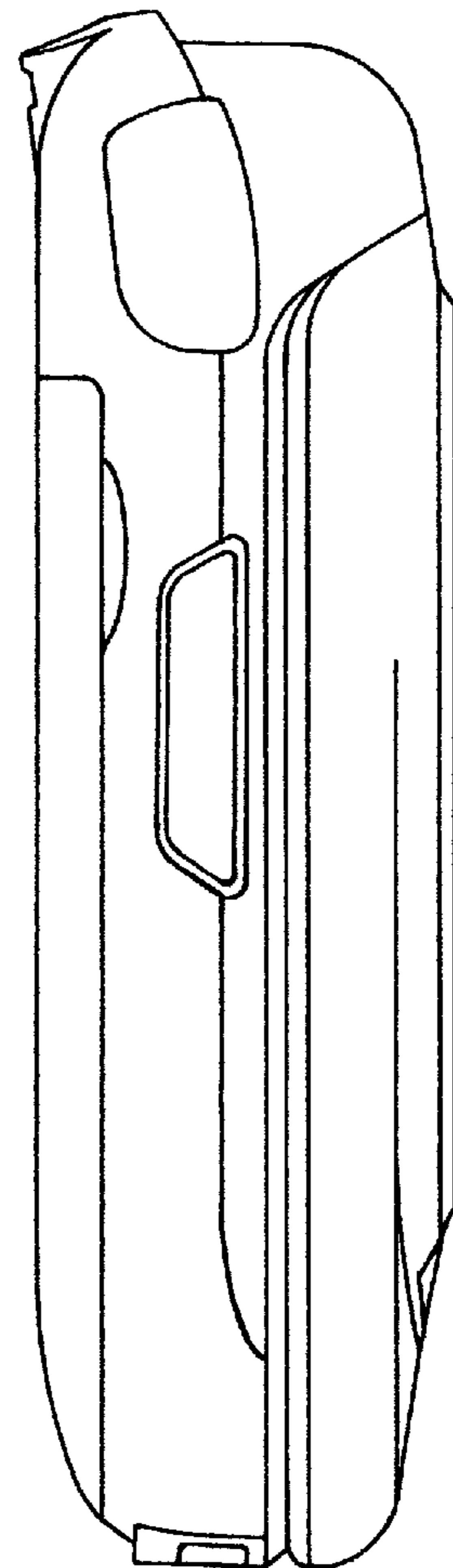


FIG. 4

FIG. 5

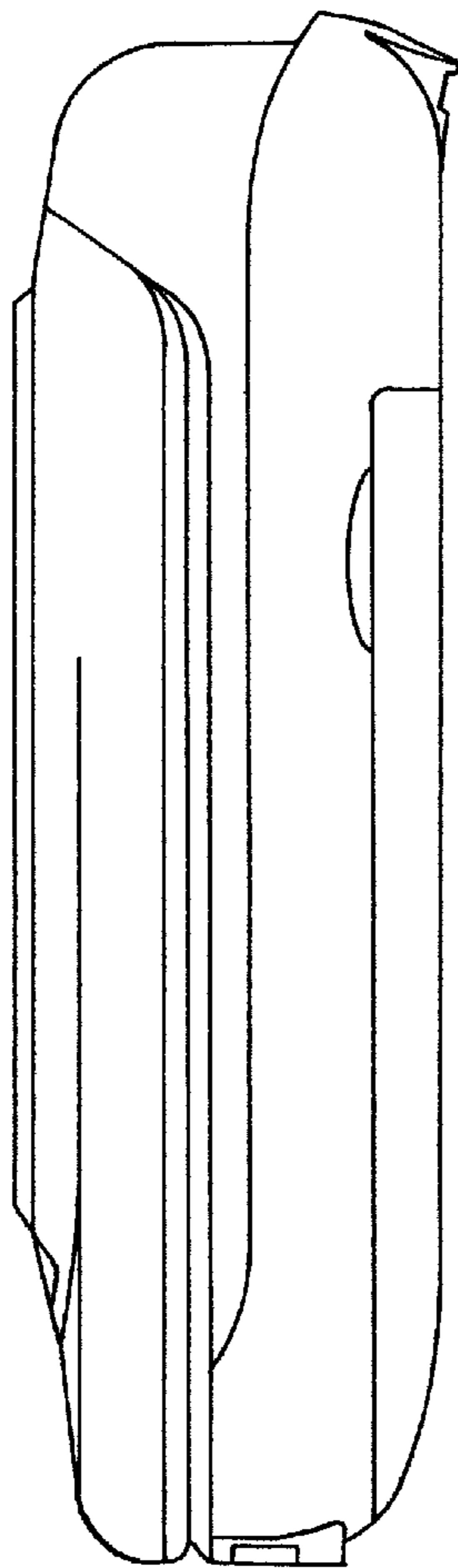


FIG. 6

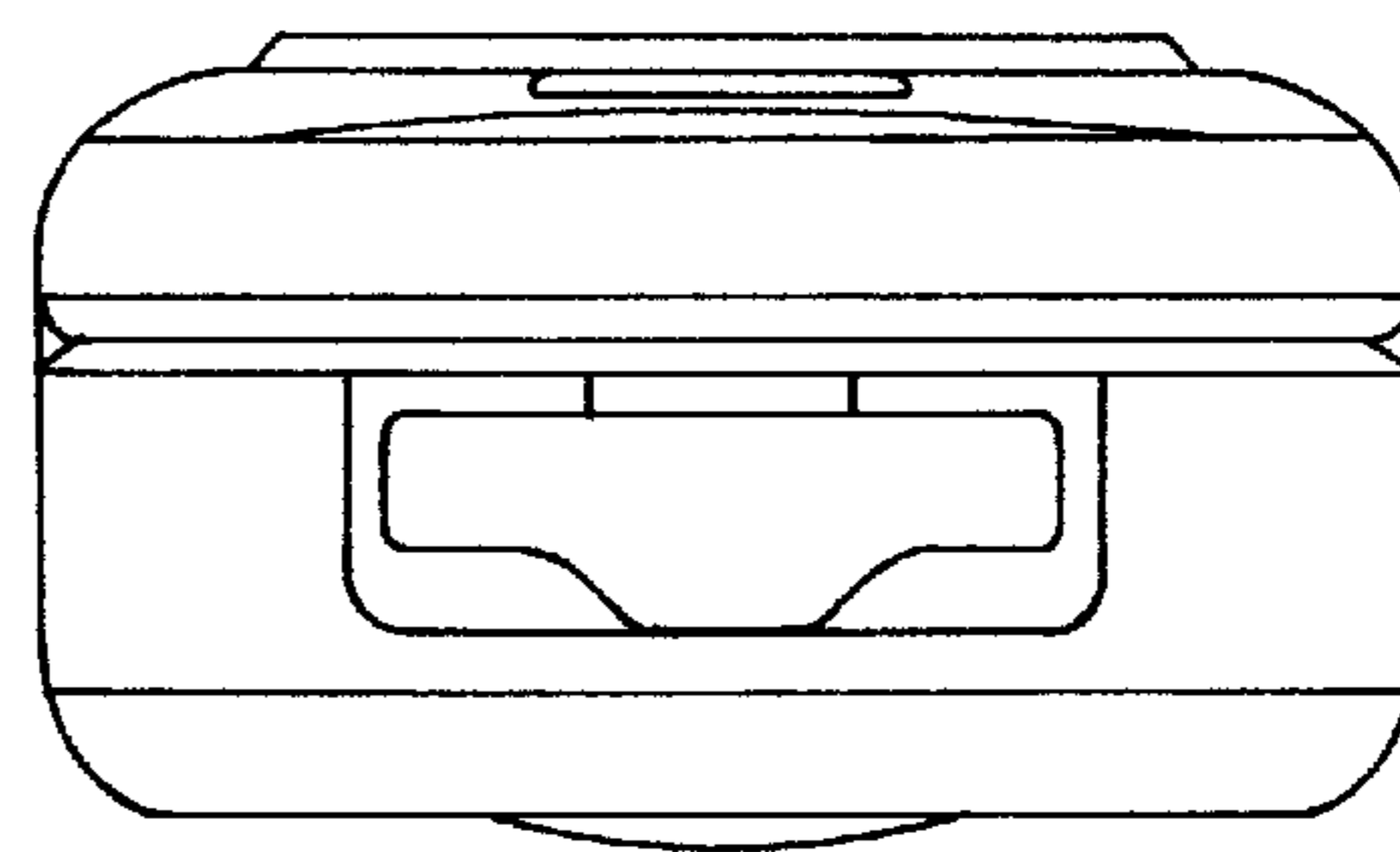
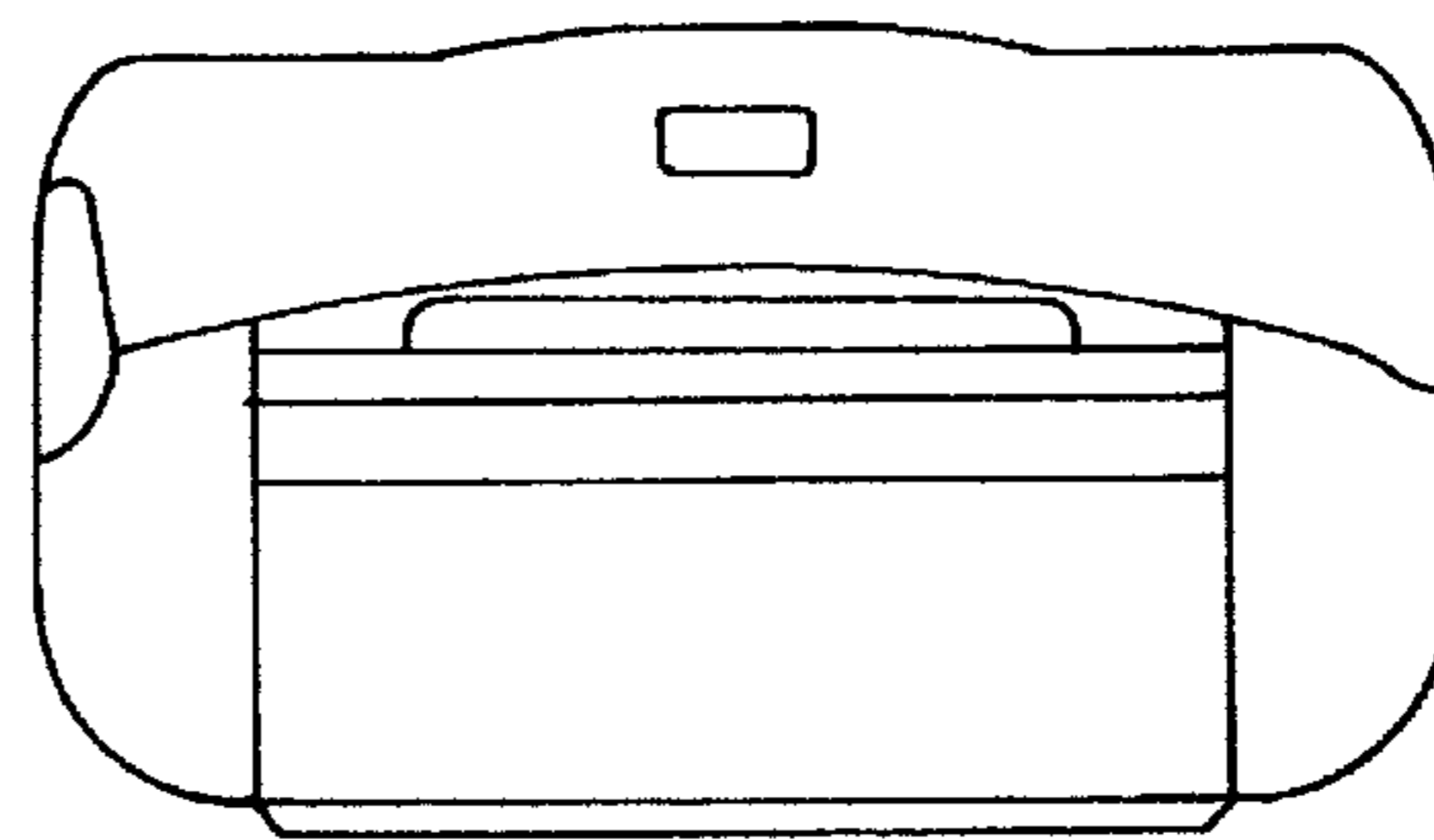


FIG. 7