



US00D518458S

(12) **United States Design Patent**  
**Husgafvel et al.**

(10) **Patent No.:** **US D518,458 S**

(45) **Date of Patent:** **\*\* Apr. 4, 2006**

(54) **HANDSET**

(75) Inventors: **Ilkka Husgafvel**, Helsinki (FI);  
**Kenneth Bower**, Vista, CA (US)

(73) Assignee: **Nokia Corporation**, Espoo (FI)

(\*\*) Term: **14 Years**

(21) Appl. No.: **29/207,324**

(22) Filed: **Jun. 14, 2004**

(51) **LOC (8) Cl.** ..... **14-03**

(52) **U.S. Cl.** ..... **D14/138**

(58) **Field of Classification Search** ..... D14/137,  
D14/138, 147-148, 247-248, 144, 218, 341-347;  
379/433.01-433.13, 434; 455/575.1, 566,  
455/556.1; D21/517, 329, 331; 345/169  
See application file for complete search history.

(56) **References Cited**

U.S. PATENT DOCUMENTS

D390,509 S	*	2/1998	Antzinas et al.	.....	D14/138
D424,060 S	*	5/2000	Baker et al.	.....	D14/218
D425,887 S	*	5/2000	Edwards et al.	.....	D14/138
D432,511 S	*	10/2000	Eckholm	.....	D14/138
D441,733 S	*	5/2001	Do et al.	.....	D14/138
D459,327 S	*	6/2002	Ali	.....	D14/138
D460,057 S	*	7/2002	Hunt	.....	D14/138
6,469,731 B1	*	10/2002	Saburi	.....	348/14.02
D469,367 S	*	1/2003	Mirabelli et al.	.....	D10/65
D469,416 S	*	1/2003	Nam	.....	D14/138
D469,750 S	*	2/2003	Nam	.....	D14/138
D472,225 S	*	3/2003	Griffin	.....	D14/138
D479,212 S	*	9/2003	Eckholm	.....	D14/138
D480,697 S	*	10/2003	Lee et al.	.....	D14/138
D482,010 S	*	11/2003	Nuovo et al.	.....	D14/138
D488,143 S	*	4/2004	Ting et al.	.....	D14/138
D490,791 S	*	6/2004	Pitt et al.	.....	D14/138

D494,561 S	*	8/2004	Kagami et al.	.....	D14/138
D502,162 S	*	2/2005	Kim et al.	.....	D14/138
D502,455 S	*	3/2005	Brandis et al.	.....	D14/138
D502,691 S	*	3/2005	Fuxen	.....	D14/138
D503,162 S	*	3/2005	Kagami et al.	.....	D14/138
2002/0190957 A1	*	12/2002	Lee et al.	.....	345/169
2004/0185921 A1	*	9/2004	Tornaghi	.....	455/575.1
2005/0057520 A1	*	3/2005	Robinson	.....	345/169
2005/0079895 A1	*	4/2005	Kalenius et al.	.....	455/566
2005/0083642 A1	*	4/2005	Senpuko et al.	.....	361/681

FOREIGN PATENT DOCUMENTS

WO DM/066071 \* 11/2004

OTHER PUBLICATIONS

<http://www.mobiletechnews.com>, Nokia 66303G Megapixel phone, posted Jun. 14, 2004.\*

\* cited by examiner

Primary Examiner—Jeffrey Asch

(74) Attorney, Agent, or Firm—Banner & Witcoff, Ltd.

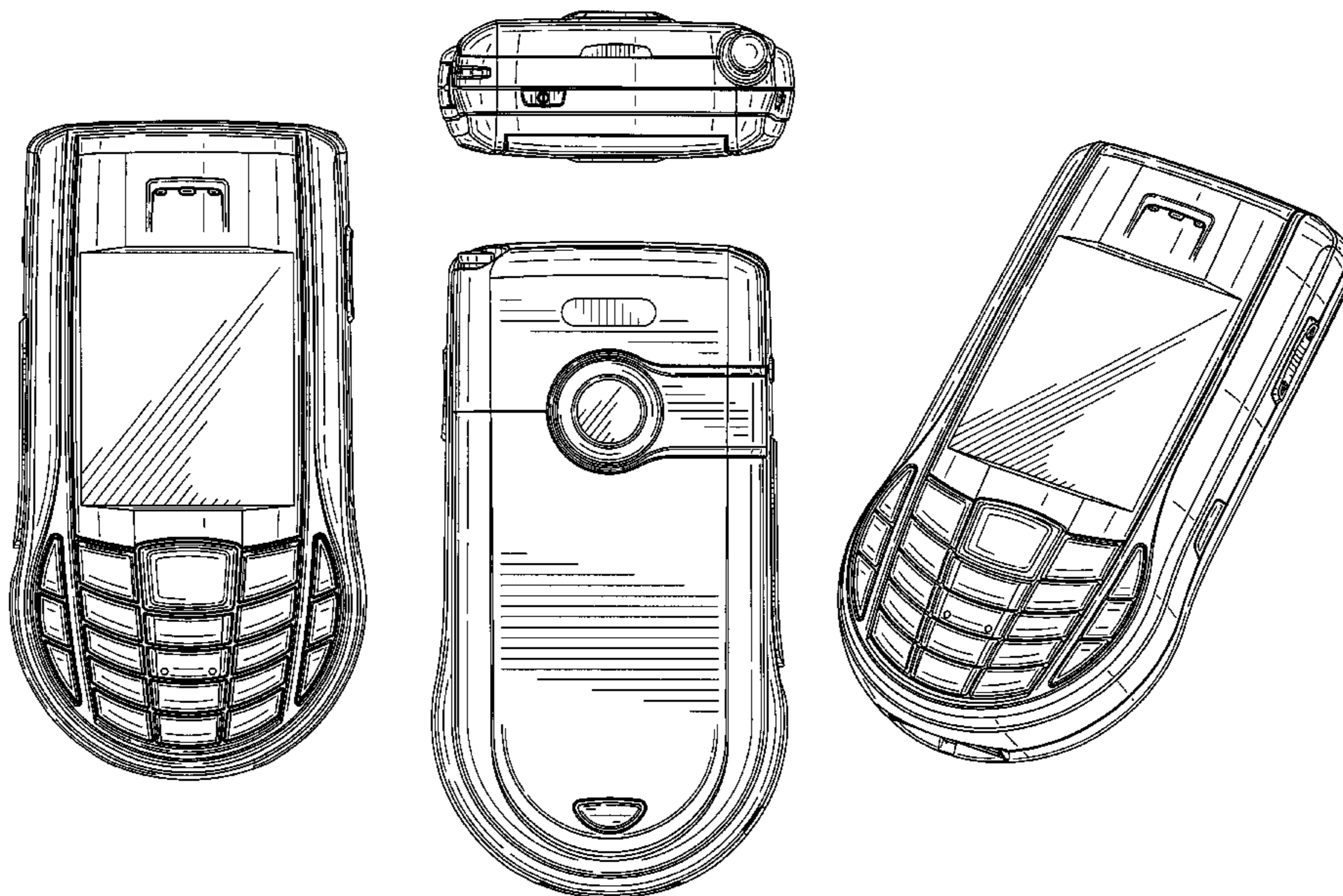
(57) **CLAIM**

The ornamental design for a handset, as shown and described.

**DESCRIPTION**

FIG. 1 is a bottom plan view of a handset showing our new design;  
FIG. 2 is a right side view thereof;  
FIG. 3 is a front view thereof;  
FIG. 4 is a left side view thereof;  
FIG. 5 is a top plan view thereof;  
FIG. 6 is a rear view thereof;  
FIG. 7 is a perspective front view thereof; and,  
FIG. 8 is a perspective rear view thereof.

**1 Claim, 3 Drawing Sheets**



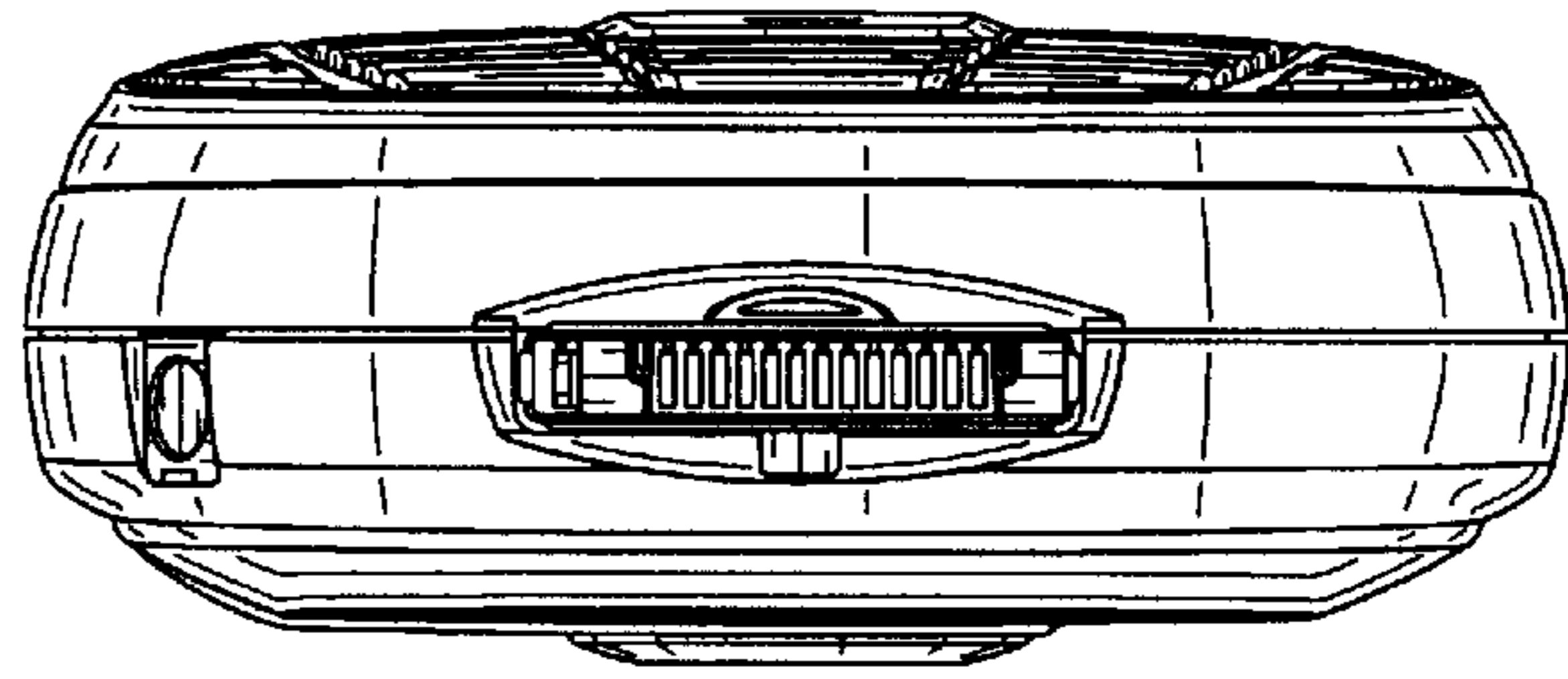


FIG. 1

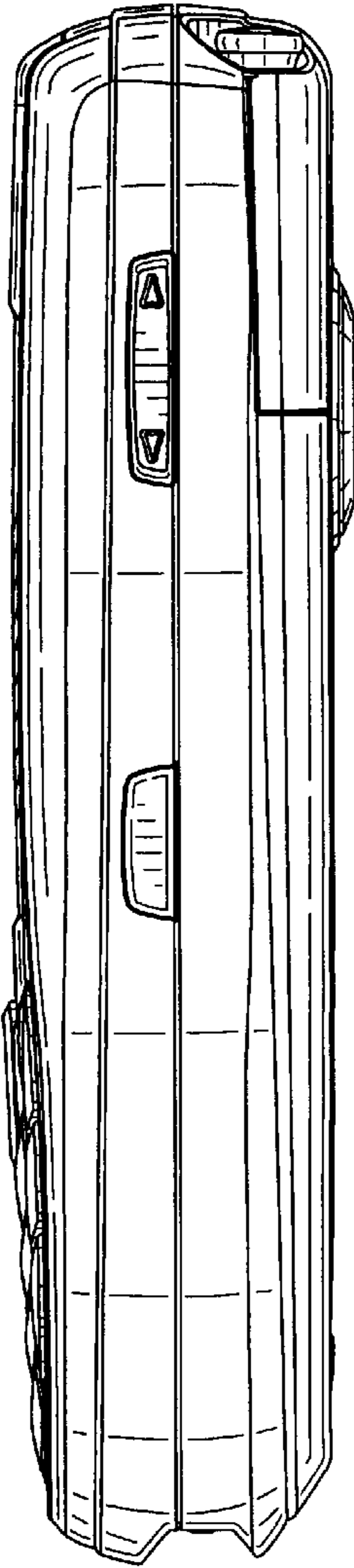


FIG. 2

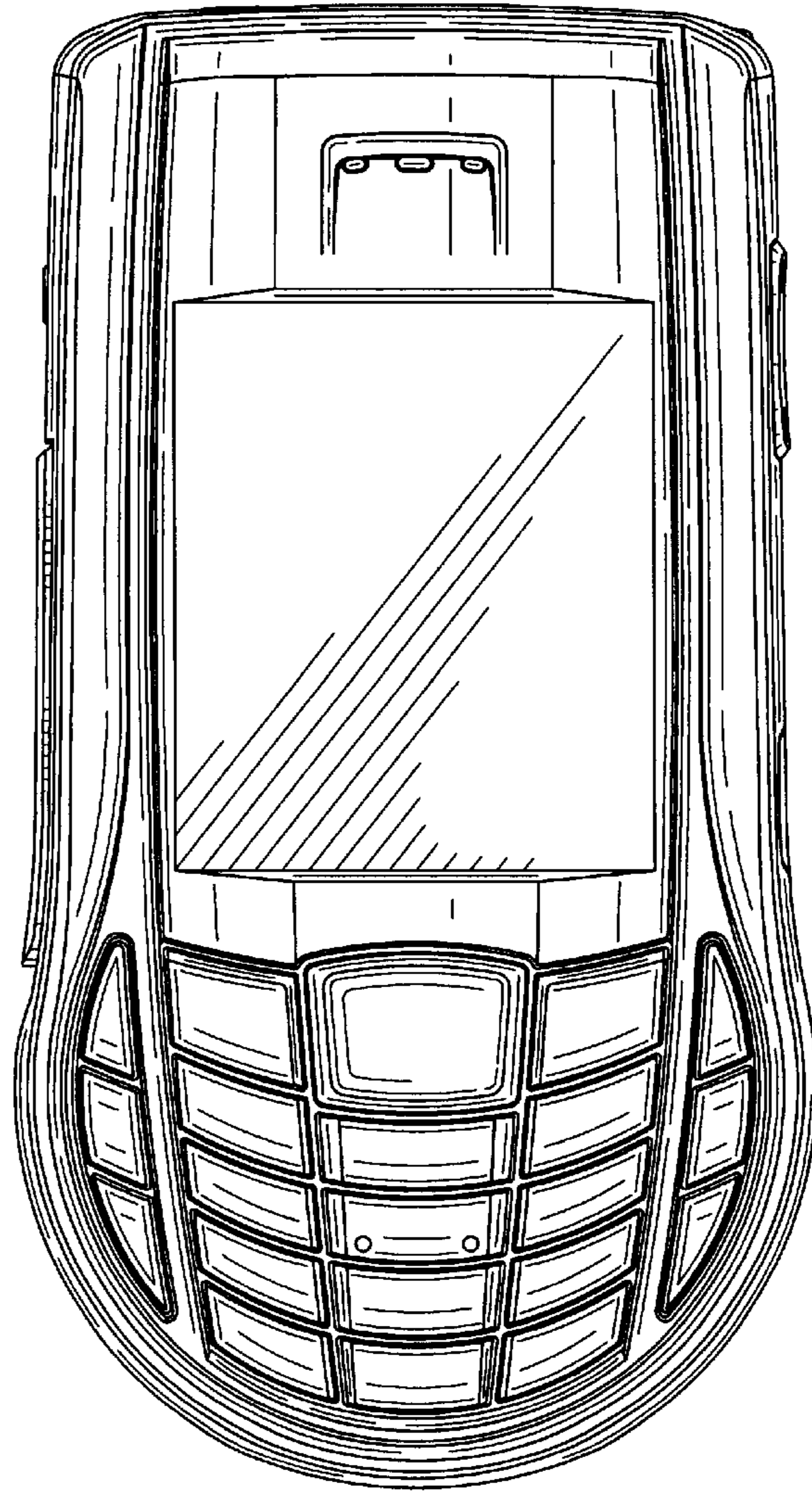


FIG. 3

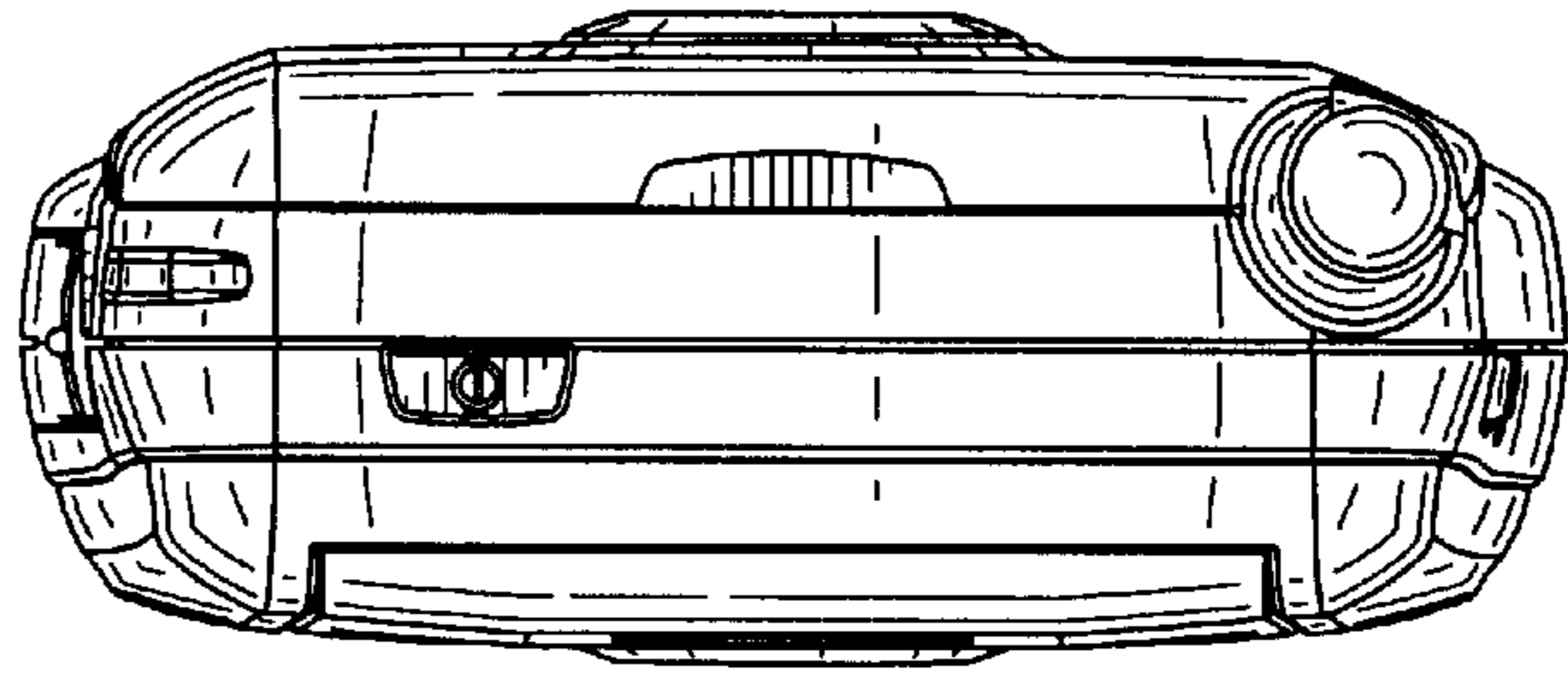


FIG. 4

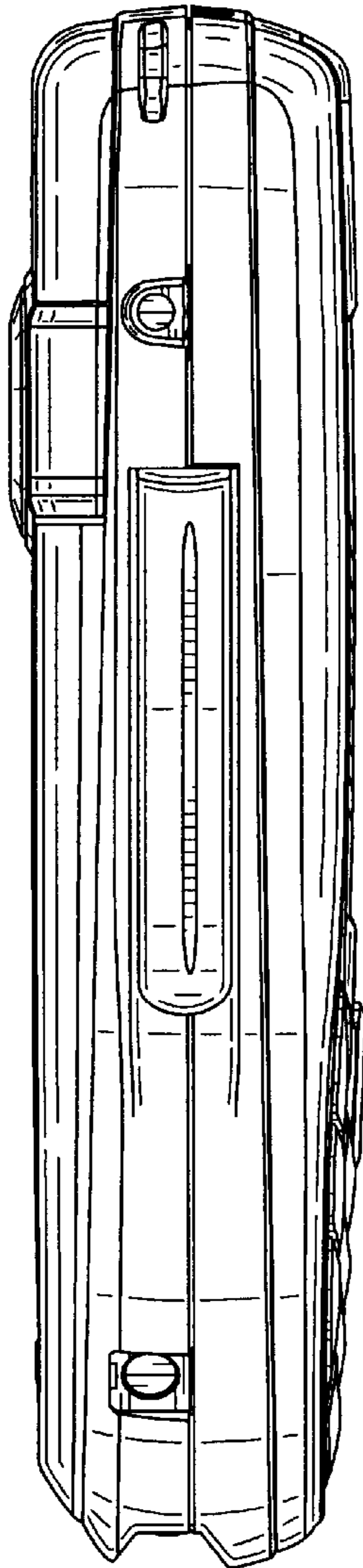


FIG. 5

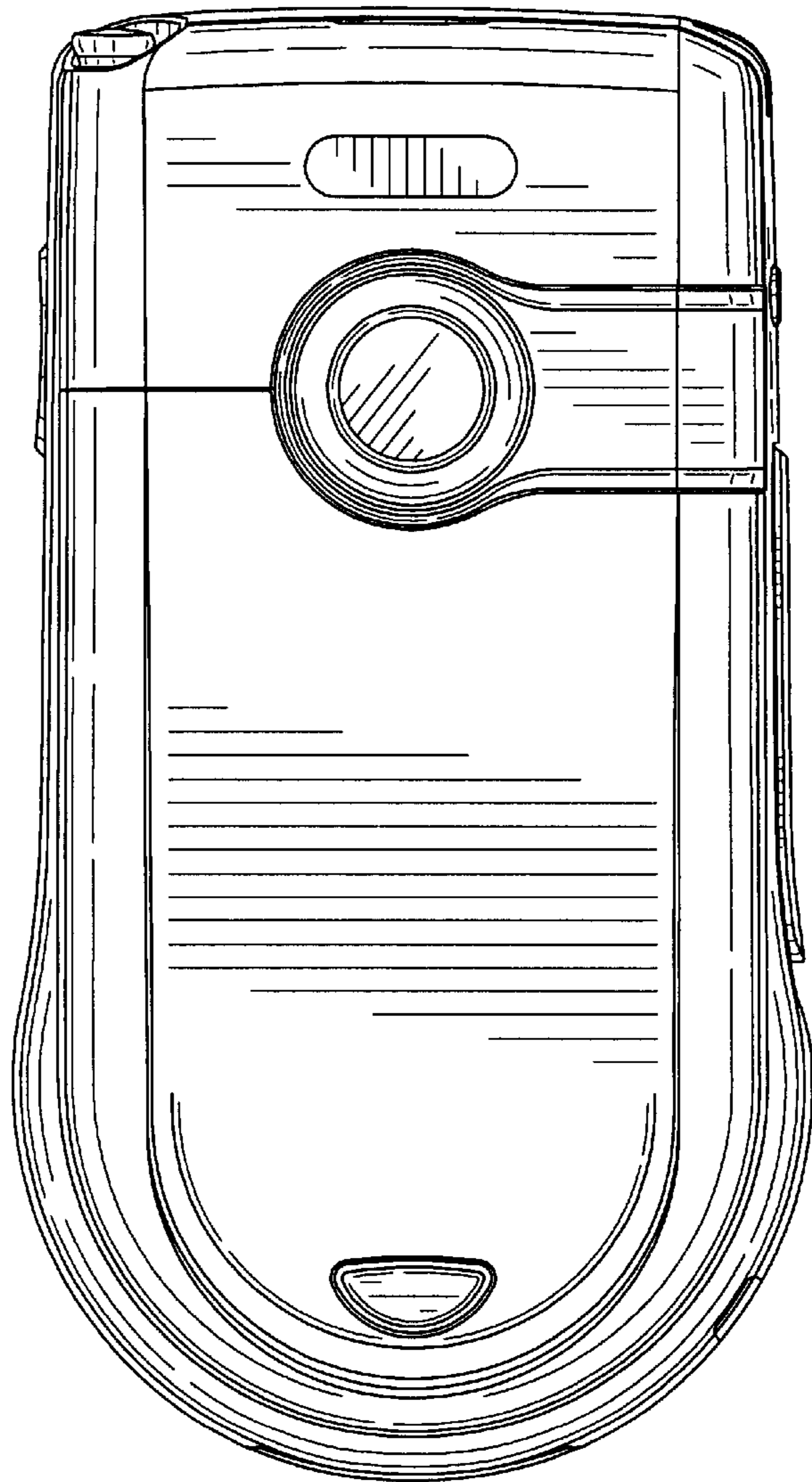


FIG. 6

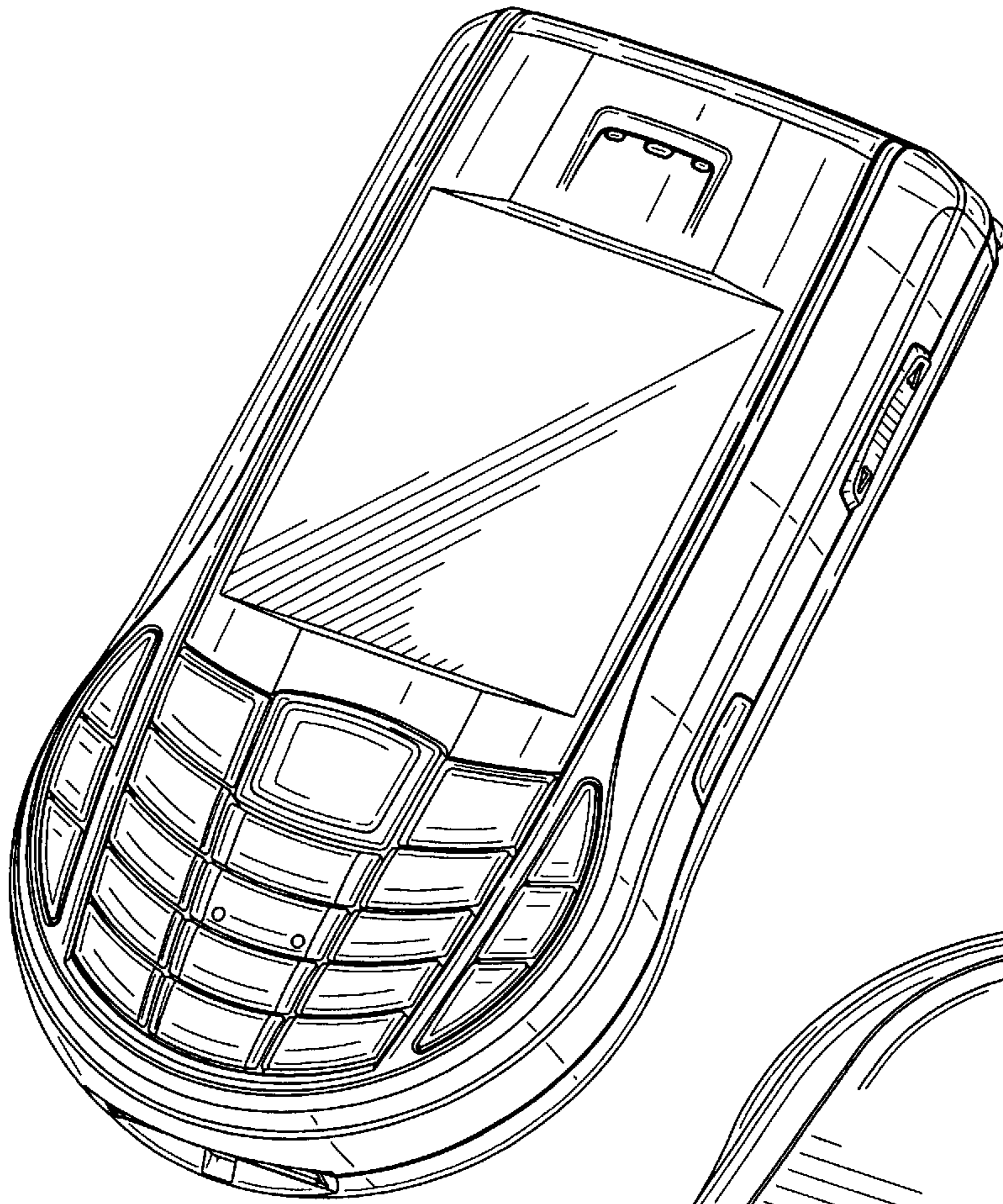


FIG. 7

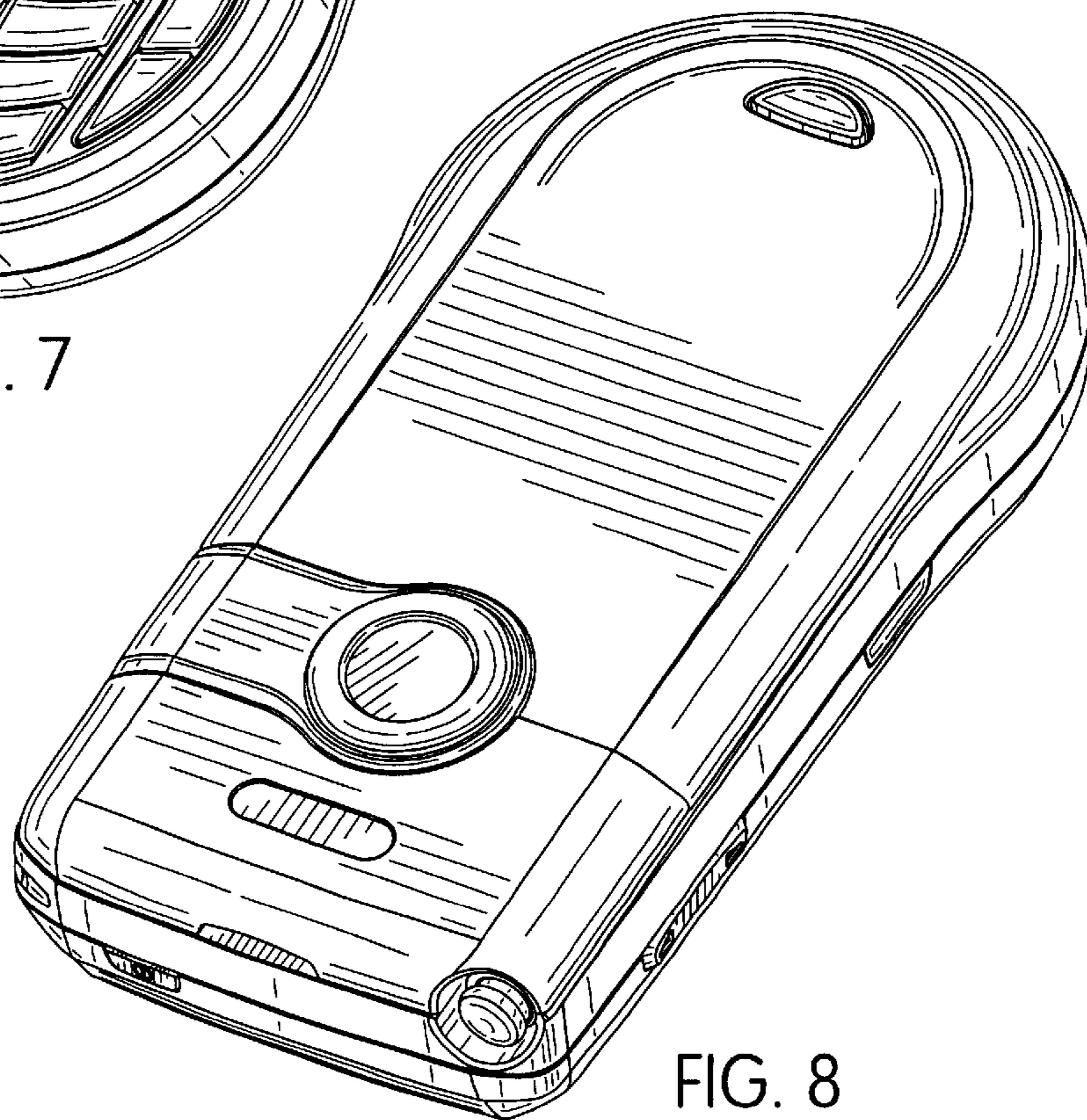


FIG. 8