

US00D518456S

(12) **United States Design Patent**  
**Sonoda**

(10) **Patent No.:** **US D518,456 S**

(45) **Date of Patent:** **\*\* \*Apr. 4, 2006**

(54) **DIGITAL VIDEO DISC RECORDER**

(75) Inventor: **Toshiyuki Sonoda**, Tokyo (JP)

(73) Assignee: **Pioneer Corporation**, Tokyo (JP)

(\*) Notice: This patent is subject to a terminal disclaimer.

(\*\*) Term: **14 Years**

(21) Appl. No.: **29/207,618**

(22) Filed: **Jun. 17, 2004**

(30) **Foreign Application Priority Data**

Dec. 19, 2003 (JP) ..... 2003-037607

(51) **LOC (8) Cl.** ..... **14-01**

(52) **U.S. Cl.** ..... **D14/136**

(58) **Field of Classification Search** ..... D14/135-136,  
D14/156-157, 160-165, 167-168, 192-198,  
D14/188, 217, 257, 258, 445; 360/99.02,  
360/99.07; 369/75.11, 75.21, 77.21, 77.11;  
720/612, 619, 647, 655; 455/344, 347-351  
See application file for complete search history.

(56) **References Cited**

**U.S. PATENT DOCUMENTS**

D323,497 S \* 1/1992 Byun ..... D14/135  
D429,706 S \* 8/2000 Miyazaki ..... D14/135  
D472,534 S \* 4/2003 Ueno et al. .... D14/136  
D483,728 S \* 12/2003 Kim ..... D14/136

**FOREIGN PATENT DOCUMENTS**

JP 1177088 6/2003

JP 1177249 6/2003  
JP 1182399 8/2003  
JP 1183762 9/2003  
JP 1183763 9/2003  
JP 1183865 9/2003

**OTHER PUBLICATIONS**

Catalogue of Pioneer's Products issued Jun. 1999.  
Catalogue of Pioneer's Products issued Jun. 2000.  
Catalogue of Pioneer's Products issued Nov. 2003.  
Catalogue of Pioneer's Products issued Dec. 2003.

\* cited by examiner

*Primary Examiner*—Nanda Bondade

(74) *Attorney, Agent, or Firm*—Sughrue Mion, PLLC

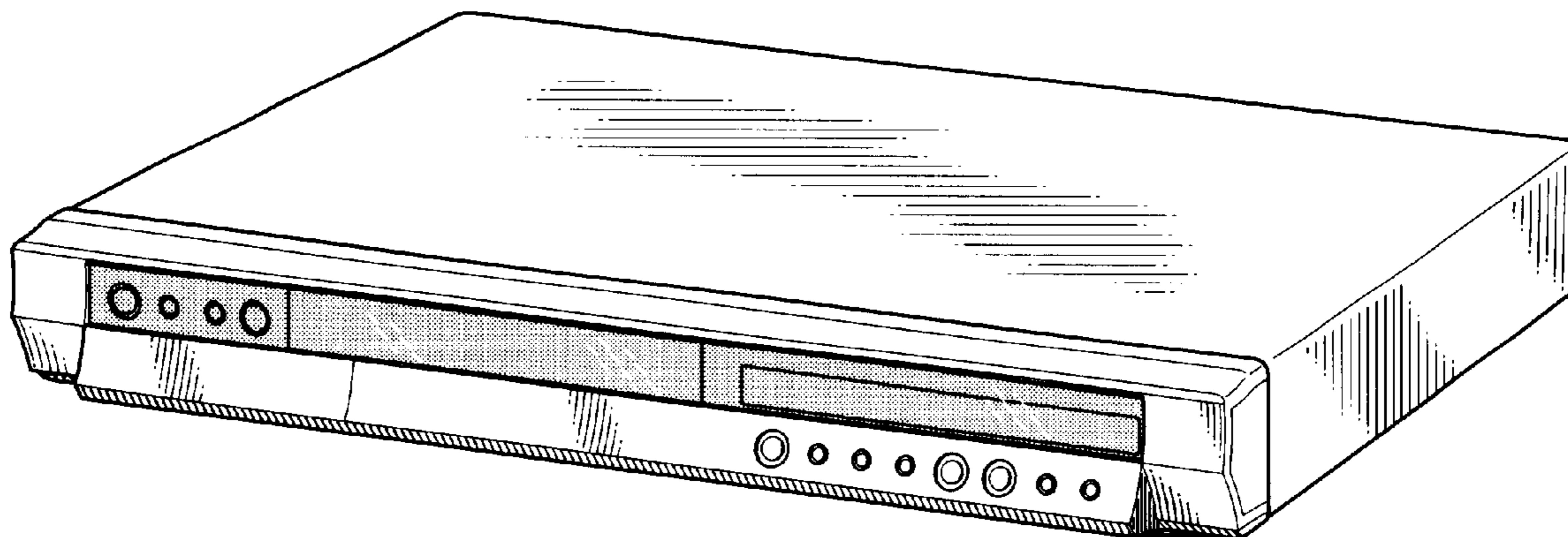
(57) **CLAIM**

The ornamental design for a digital video disc recorder, as shown and described.

**DESCRIPTION**

FIG. 1 front elevational view of a digital video disc recorder showing my new design;  
FIG. 2 rear elevational view thereof;  
FIG. 3 right side elevational view thereof;  
FIG. 4 left side elevational view thereof;  
FIG. 5 top plan view thereof;  
FIG. 6 bottom plan view thereof;  
FIG. 7 perspective view of the top, front and right side thereof; and,  
FIG. 8 perspective view similar to FIG. 7 with the video disc holder in the open position.

**1 Claim, 5 Drawing Sheets**



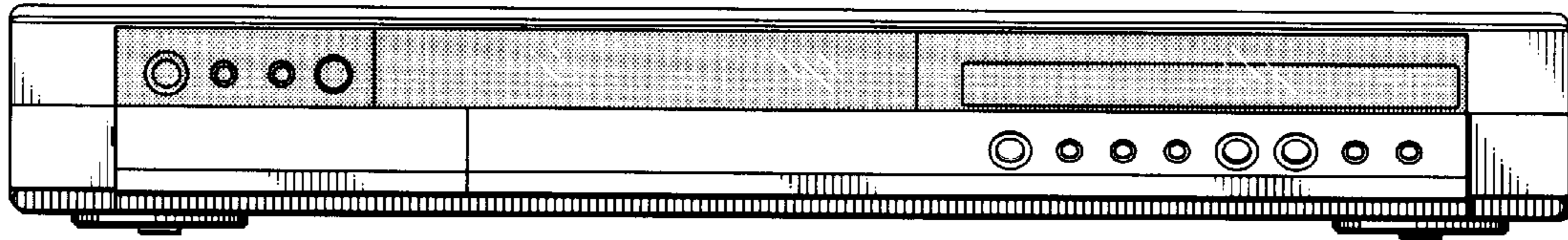


FIG. 1

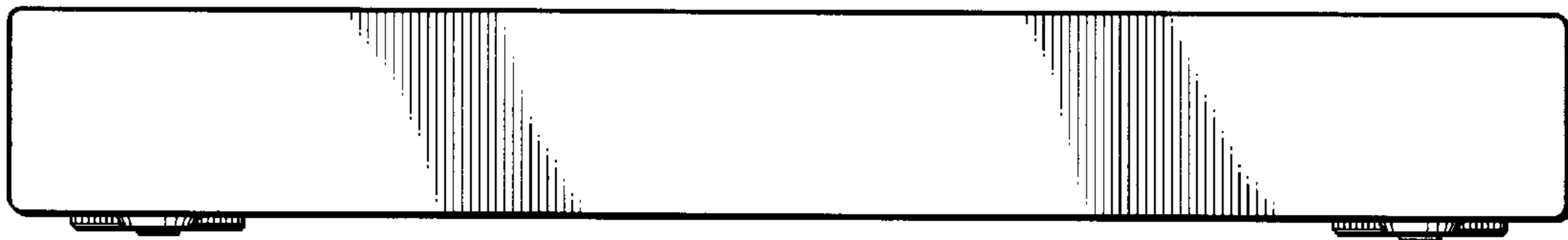


FIG. 2

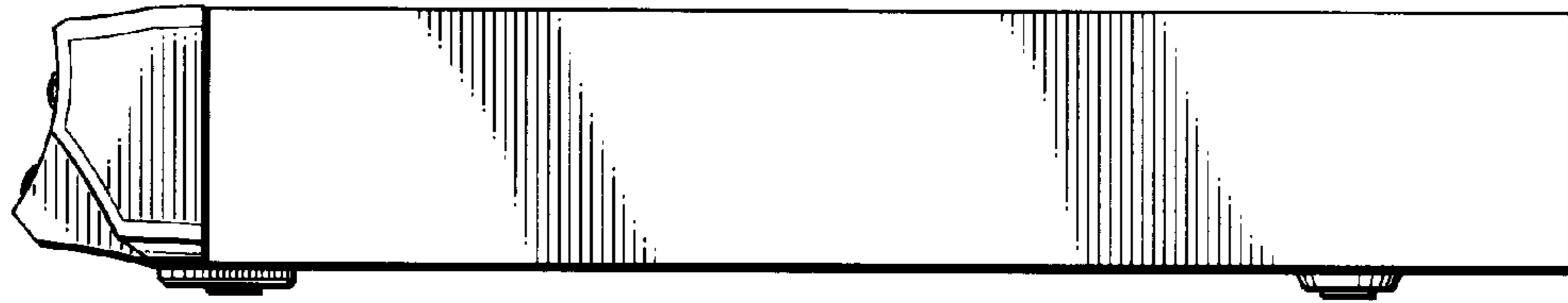


FIG. 3

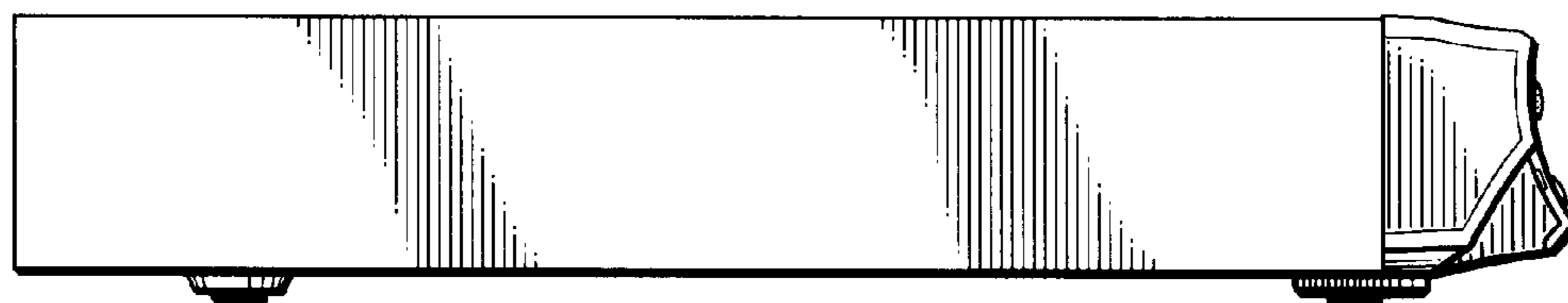


FIG. 4

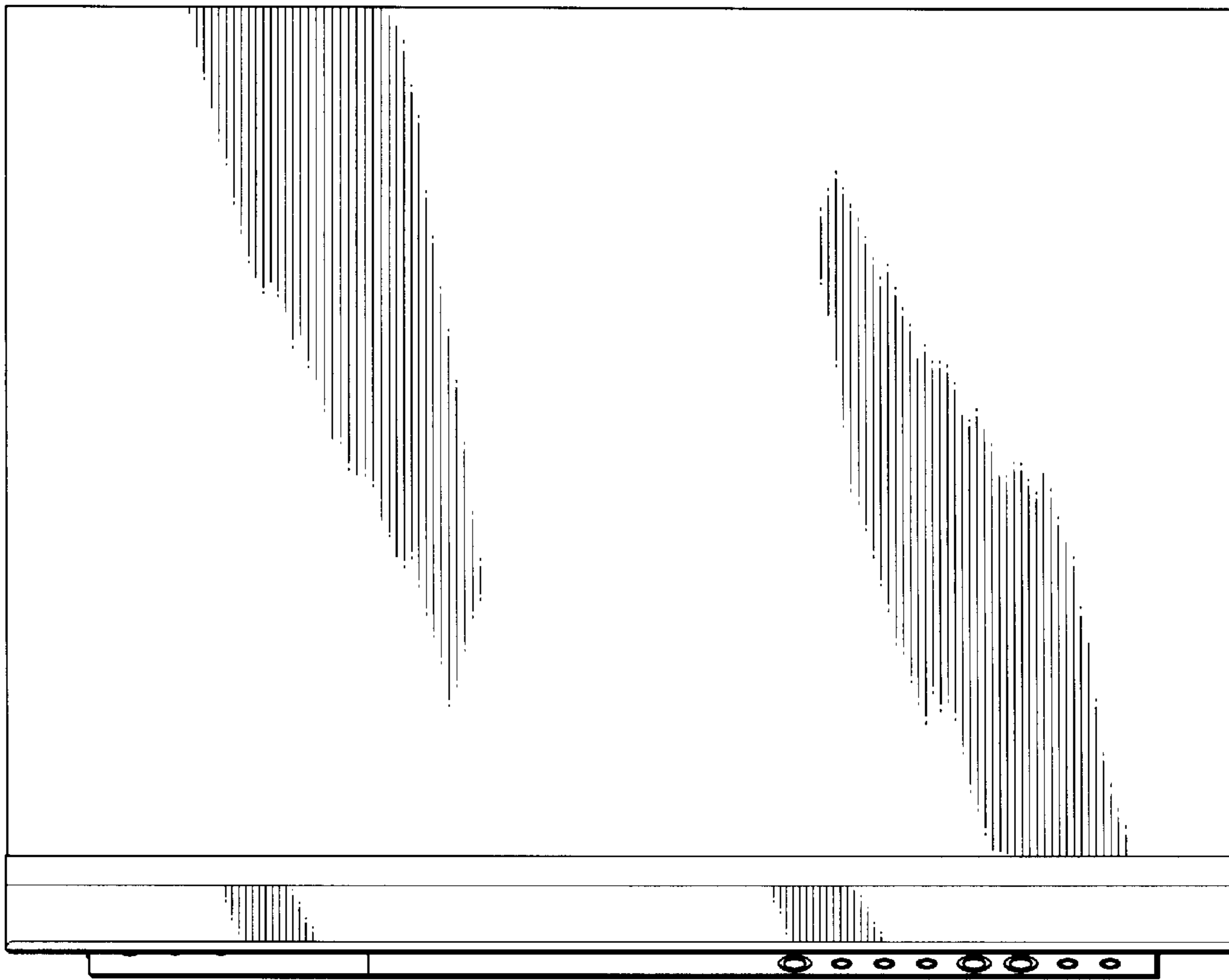


FIG. 5

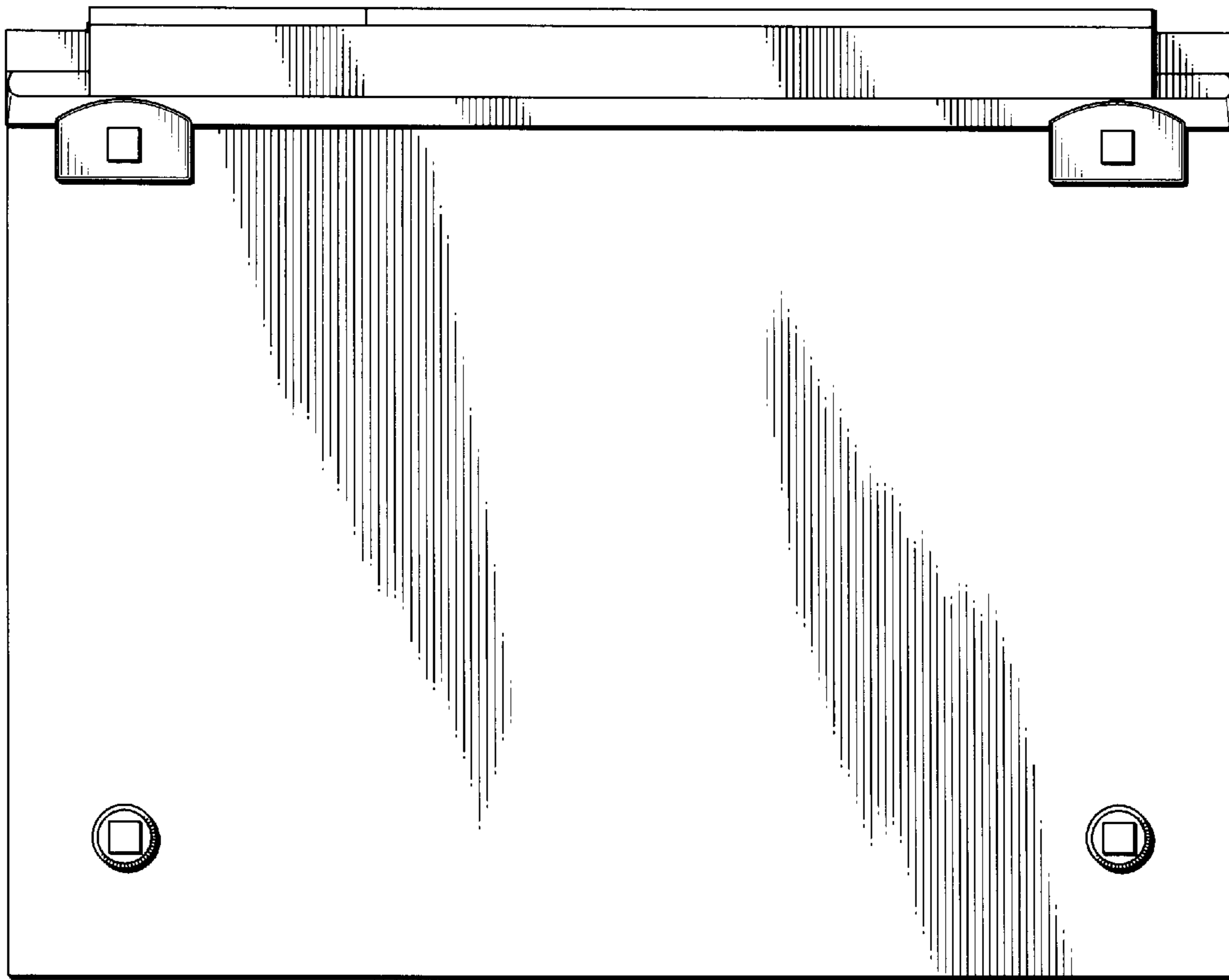


FIG. 6

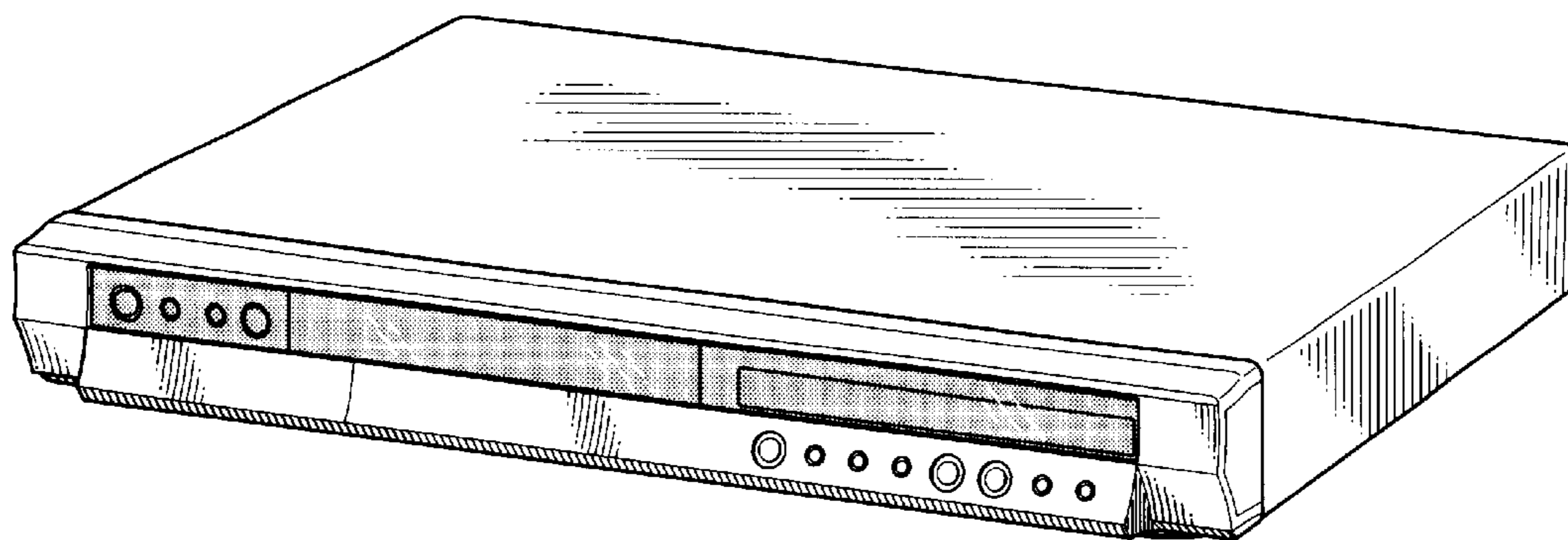


FIG. 7

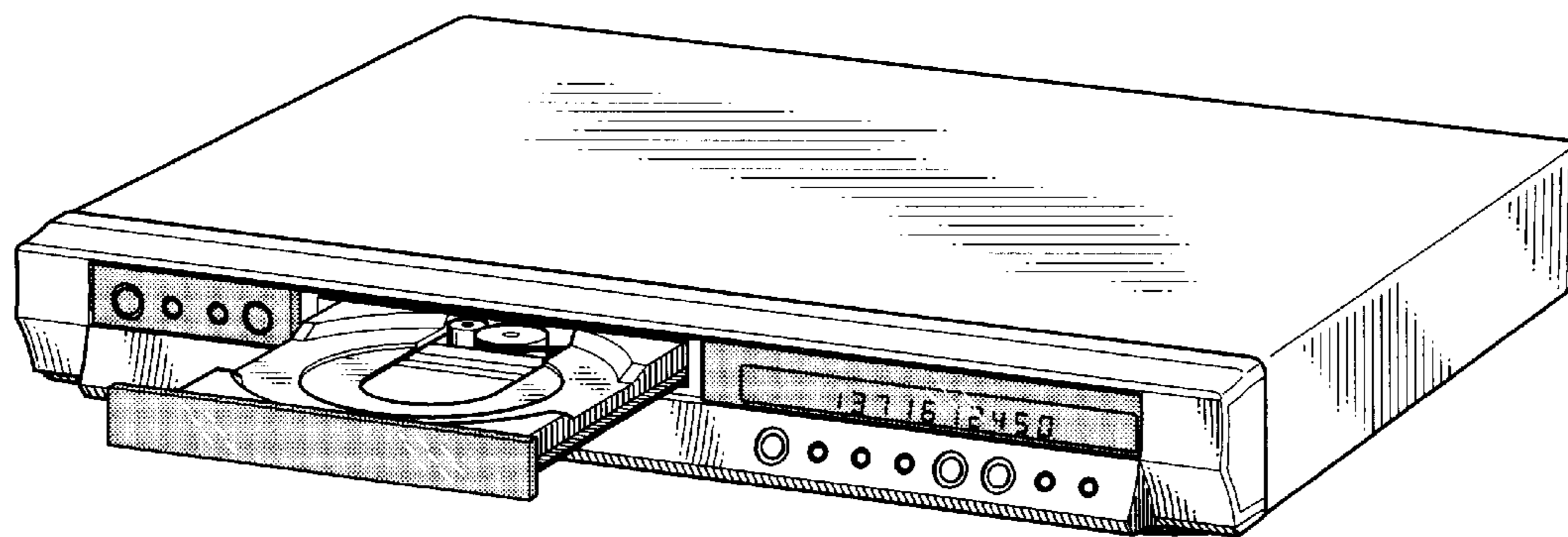


FIG. 8