



US00D518455S

(12) **United States Design Patent**
Wu

(10) **Patent No.:** **US D518,455 S**

(45) **Date of Patent:** **** Apr. 4, 2006**

(54) **OPTICAL DISK APPARATUS**

(75) Inventor: **Chun-Ting Wu**, Hsinchu (TW)

(73) Assignee: **Lite-On It Corporation**, Taipei (TW)

(**) Term: **14 Years**

(21) Appl. No.: **29/201,065**

(22) Filed: **Mar. 9, 2004**

(30) **Foreign Application Priority Data**

Oct. 6, 2003 (TW) 92306096

(51) **LOC (8) Cl.** **14-01**

(52) **U.S. Cl.** **D14/136; D14/167**

(58) **Field of Classification Search** D14/445,
D14/260.1, 258, 257, 224, 217, 198, 197,
D14/196, 195, 194, 193, 192, 188, 168, 167,
D14/156, 136, 135; 455/350, 347, 344; 369/77.1,
369/75.2, 75.1

See application file for complete search history.

(56) **References Cited**

U.S. PATENT DOCUMENTS

D314,197 S	*	1/1991	Ito et al.	D14/156
D314,198 S	*	1/1991	Ito et al.	D14/156
D323,501 S	*	1/1992	Kim	D14/135
D385,275 S	*	10/1997	Ito et al.	D14/156
D409,605 S	*	5/1999	Miyazaki	D14/156
D421,260 S	*	2/2000	Hyogo	D14/167
D431,546 S	*	10/2000	Ito et al.	D14/167
D432,112 S	*	10/2000	Hisatsune	D14/156
D438,183 S	*	2/2001	Sato et al.	D14/136
D439,228 S	*	3/2001	Tsuge	D14/136
D467,567 S	*	12/2002	Tsuge	D14/156
D472,534 S	*	4/2003	Ueno et al.	D14/136
D480,693 S	*	10/2003	Johansson et al.	D14/136
D484,473 S	*	12/2003	Johansson et al.	D14/136
D484,474 S	*	12/2003	Johansson et al.	D14/136
D485,814 S	*	1/2004	Winkler	D14/136

D487,571 S	*	3/2004	Kuo et al.	D14/136
D493,434 S	*	7/2004	Wu	D14/136
D494,150 S	*	8/2004	Wu	D14/136
D494,554 S	*	8/2004	Wu	D14/136
D494,555 S	*	8/2004	Wu	D14/136
D495,669 S	*	9/2004	Kajita	D14/135
D497,148 S	*	10/2004	Kamata et al.	D14/136
D499,706 S	*	12/2004	Kawano	D14/135

* cited by examiner

Primary Examiner—Cathron C. Brooks

Assistant Examiner—Austin Murphy

(74) *Attorney, Agent, or Firm*—Thomas, Kayden,
Horstemeyer & Risley

(57) **CLAIM**

I claim the ornamental design for an optical disk apparatus,
as shown and described.

DESCRIPTION

FIG. 1 is a perspective view of an optical disk apparatus
(with the hinged door shown in an open position) showing
my new design;

FIG. 2 is a front view thereof;

FIG. 3 is a rear view thereof;

FIG. 4 is a left side view (with the hinged door shown in a
closed position) thereof;

FIG. 5 is a right side view (with the hinged door shown in
a closed position) thereof;

FIG. 6 is a top plan view (with the hinged door shown in a
closed position) thereof; and,

FIG. 7 is a bottom plan view (with the hinged door shown
in a closed position) thereof.

The broken lines shown in FIGS. 3–7 form no part of the
claimed design.

As used herein, an optical disk apparatus includes players
and/or recorders for DVDs (digital versatile disks) as well as
other optical disk formats.

1 Claim, 3 Drawing Sheets

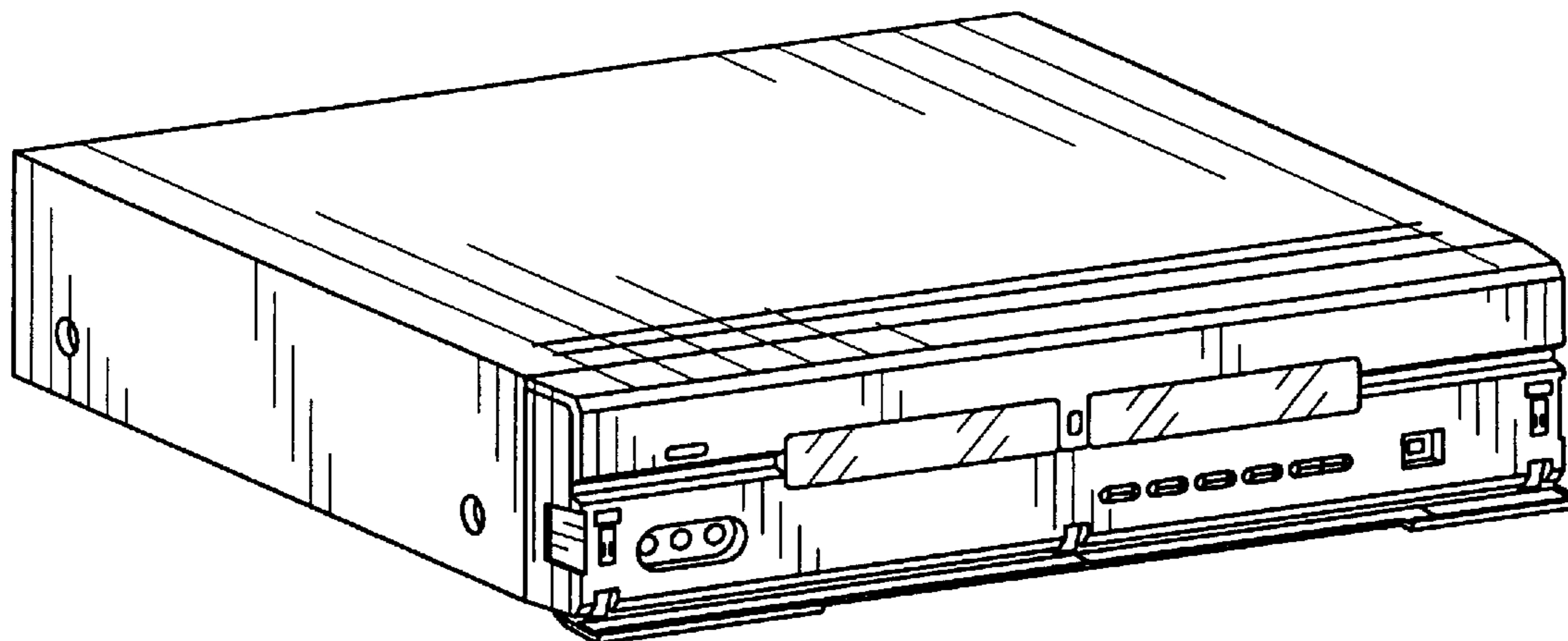


FIG. 1

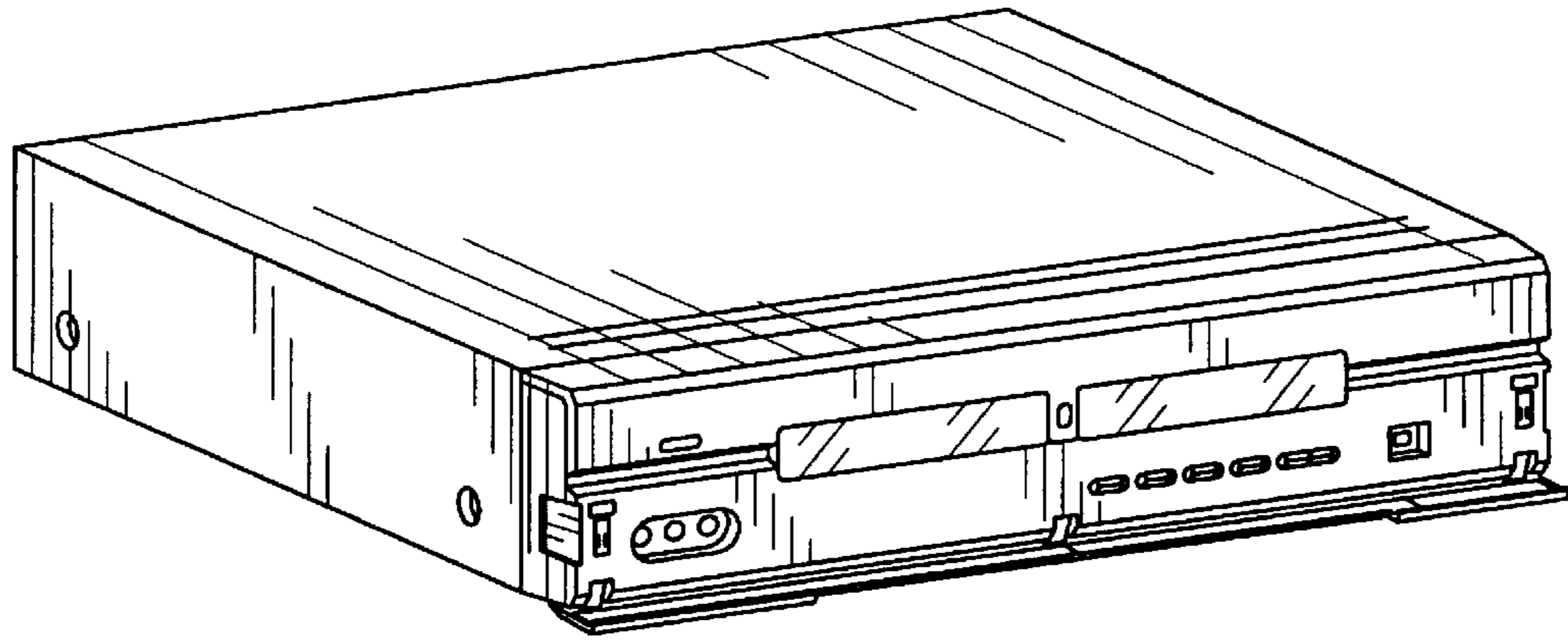


FIG. 2

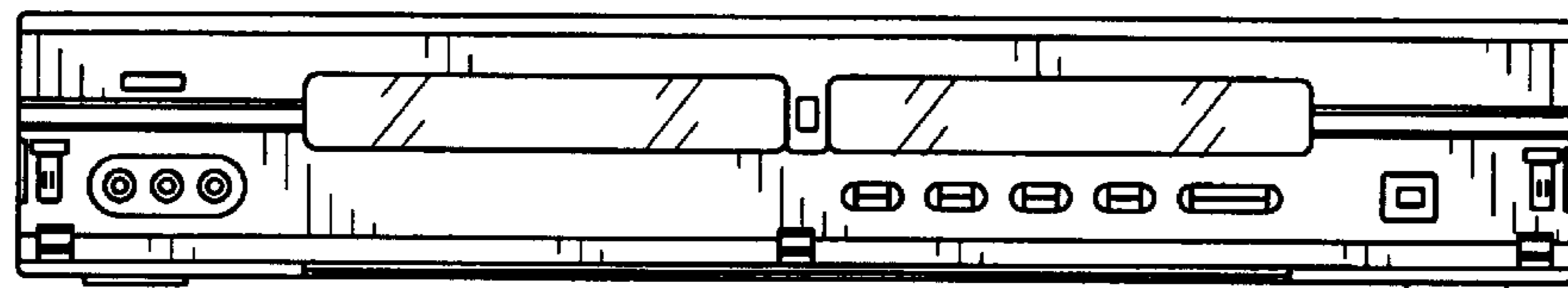


FIG. 3

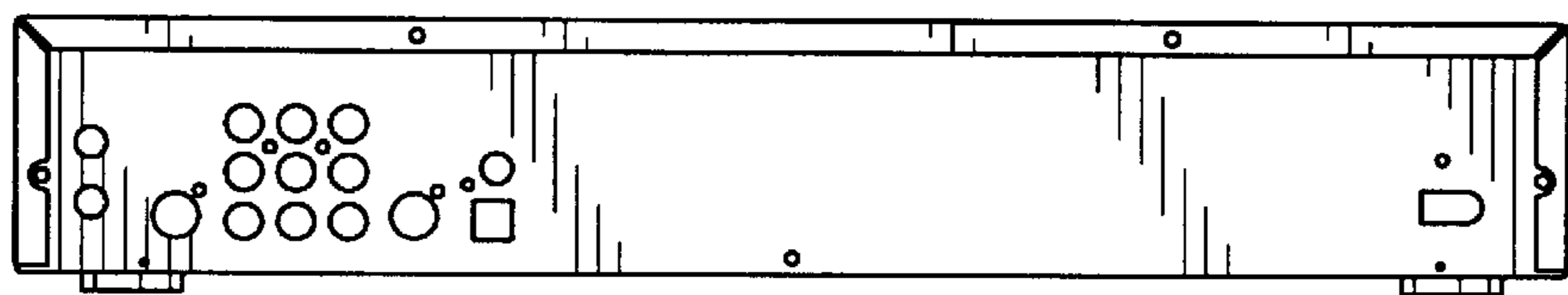


FIG.4

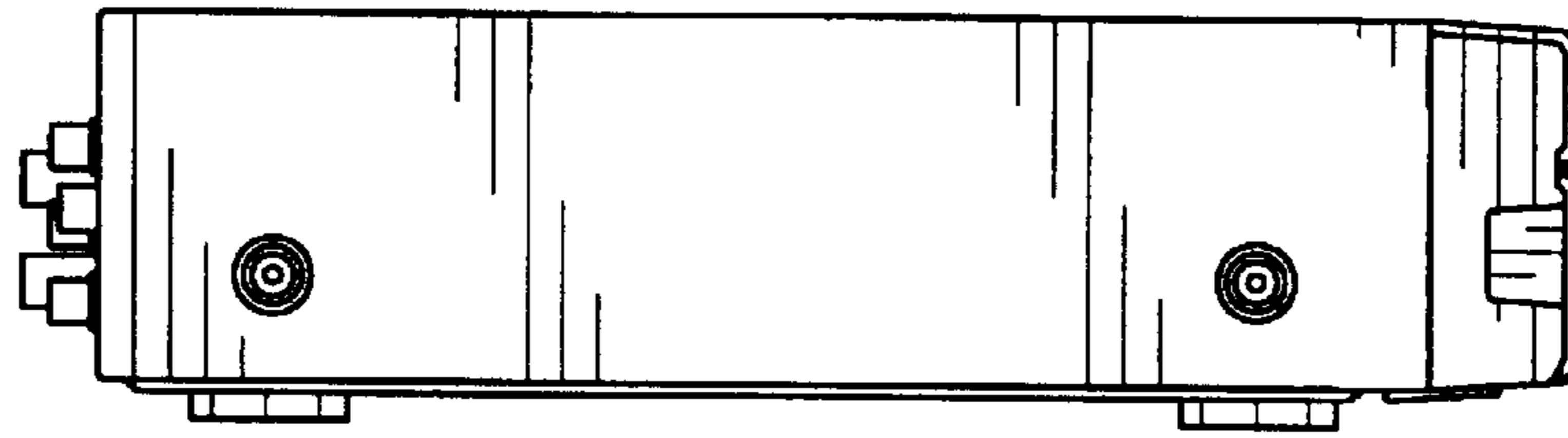


FIG.5

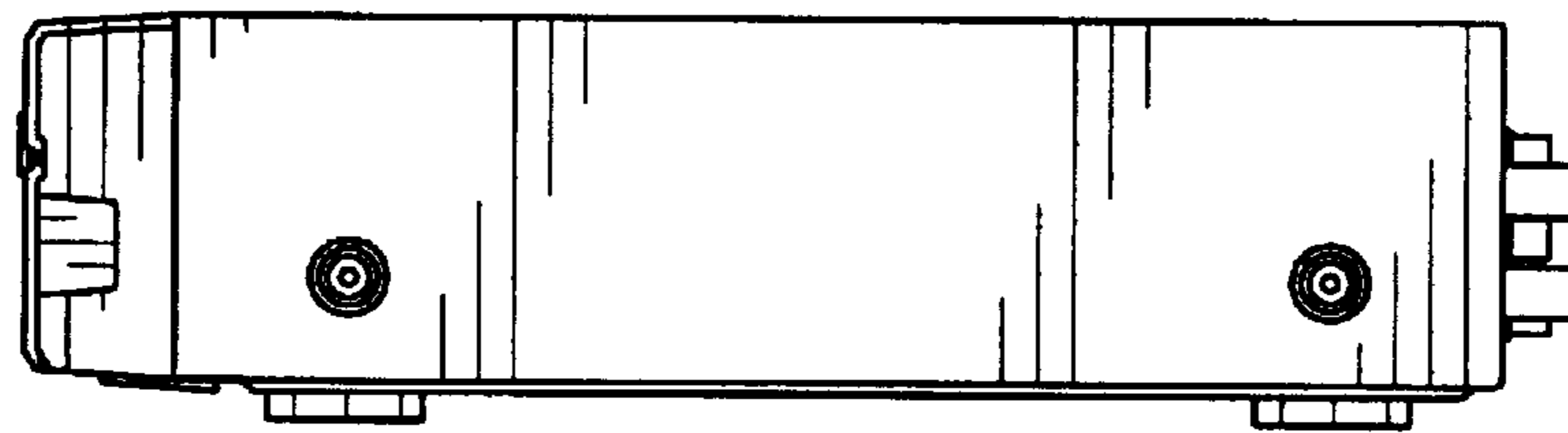


FIG. 6

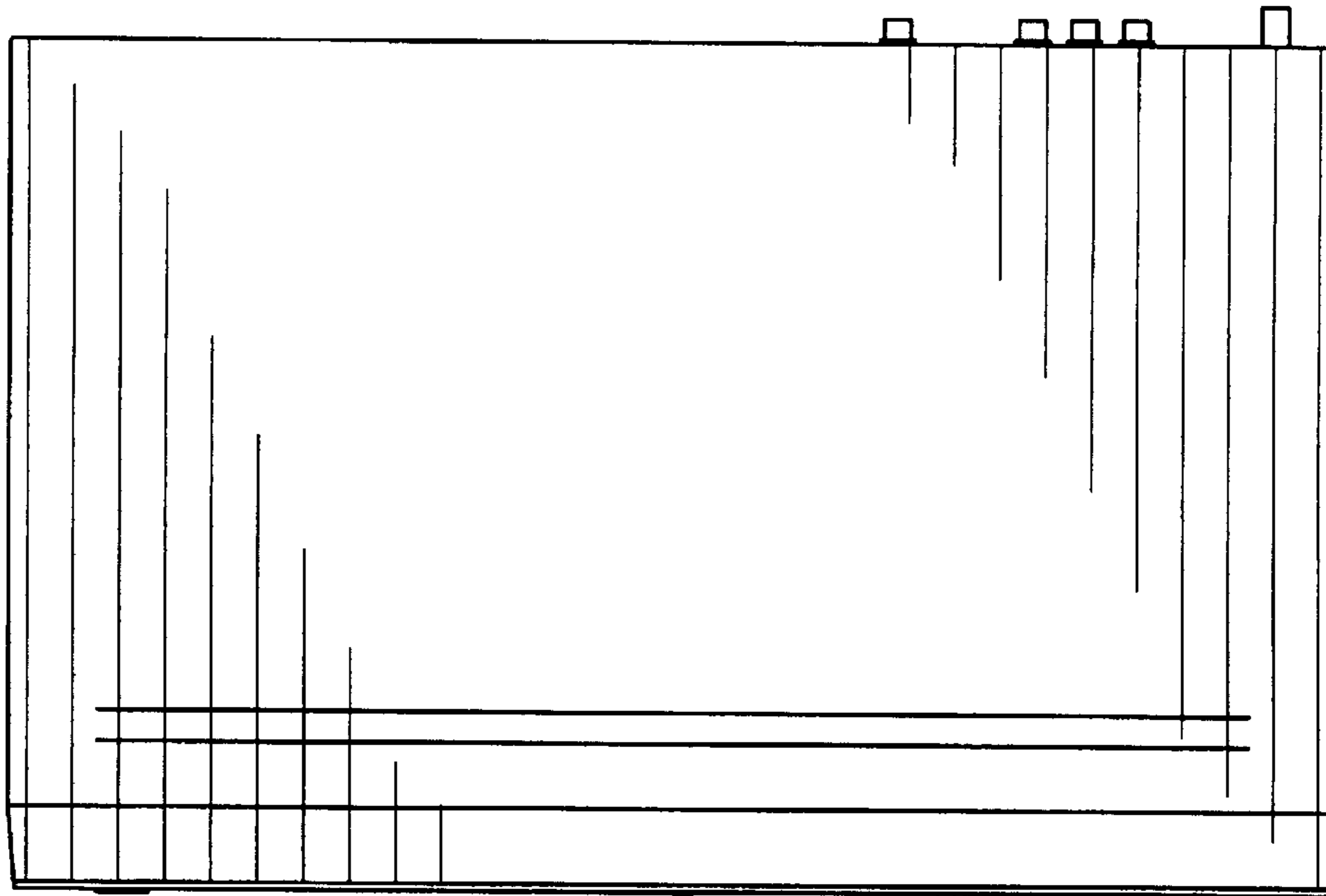


FIG. 7

