



US00D518449S

(12) **United States Design Patent**
Ishida

(10) **Patent No.:** **US D518,449 S**

(45) **Date of Patent:** **** Apr. 4, 2006**

(54) **LIGHT EMITTING DIODE (SIDE VIEW TYPE)**

(75) Inventor: **Masashi Ishida, Anan (JP)**

(73) Assignee: **Nichia Corporation (JP)**

(**) Term: **14 Years**

(21) Appl. No.: **29/231,817**

(22) Filed: **Jun. 10, 2005**

Related U.S. Application Data

(62) Division of application No. 29/218,977, filed on Dec. 9, 2004, which is a division of application No. 29/198,267, filed on Jan. 28, 2004, now Pat. No. Des. 507,782.

(30) **Foreign Application Priority Data**

Jul. 28, 2003	(JP)	2003-021725
Jul. 28, 2003	(JP)	2003-021730
Jul. 28, 2003	(JP)	2003-021731
Jul. 28, 2003	(JP)	2003-021732
Jul. 28, 2003	(JP)	2003-021733
Jul. 28, 2003	(JP)	2003-021734
Jul. 28, 2003	(JP)	2003-021735
Jul. 28, 2003	(JP)	2003-021736
Jul. 28, 2003	(JP)	2003-021737
Jul. 28, 2003	(JP)	2003-021738
Jul. 28, 2003	(JP)	2003-021739
Jul. 28, 2003	(JP)	2003-021740
Jul. 28, 2003	(JP)	2003-021741
Jul. 28, 2003	(JP)	2003-021742
Jul. 28, 2003	(JP)	2003-021743

(51) **LOC (8) Cl.** **13-03**

(52) **U.S. Cl.** **D13/180**

(58) **Field of Classification Search** D13/180, D13/182; 257/76-79, 88-89, 93-99, 434, 257/676, 678, 687, 690, 698, 787; 313/498, 313/499, 500; 361/760, 820; 362/226, 241, 362/249, 250, 307, 555, 800

See application file for complete search history.

(56) **References Cited**

U.S. PATENT DOCUMENTS

RE36,614 E * 3/2000 Lumbard et al. 313/500

6,603,148	B1	*	8/2003	Sano et al.	257/98
D482,337	S	*	11/2003	Kamada	D13/182
D489,677	S	*	5/2004	Ishida	D13/100
D489,690	S	*	5/2004	Ishida	D13/180
D489,691	S	*	5/2004	Ishida	D13/180
D489,692	S	*	5/2004	Ishida	D13/180
D489,693	S	*	5/2004	Ishida	D13/180
D490,062	S	*	5/2004	Ishida	D13/180
D490,384	S	*	5/2004	Ishida	D13/180
D490,385	S	*	5/2004	Ishida	D13/180
D490,386	S	*	5/2004	Ishida	D13/180
D490,783	S	*	6/2004	Ishida	D13/180
D490,784	S	*	6/2004	Ishida	D13/180
D491,538	S	*	6/2004	Ishida	D13/182
2002/0149314	A1	*	10/2002	Takashi et al.	313/500

* cited by examiner

Primary Examiner—Prabhakar Deshmukh

Assistant Examiner—Selina Sikder

(74) *Attorney, Agent, or Firm*—Osha Liang LLP

(57) **CLAIM**

The ornamental design for a light emitting diode (side view type), as shown and described.

DESCRIPTION

FIG. 1 shows a front view of the design according to a first embodiment of the invention.

FIG. 2 shows a rear view of the design according to the first embodiment of the invention.

FIG. 3 shows a top view of the design according to the first embodiment of the invention.

FIG. 4 shows a bottom view of the design according to the first embodiment of the invention.

FIG. 5 shows a left side view of the design according to the first embodiment of the invention. The right side view is a mirror image of the left side view.

FIG. 6 shows a top perspective view of the design according to the first embodiment of the invention.

FIG. 7 shows a bottom perspective view of the design according to the first embodiment of the invention.

FIG. 8 shows a front view of the design according to the first embodiment of the invention, indicating a translucent portion.

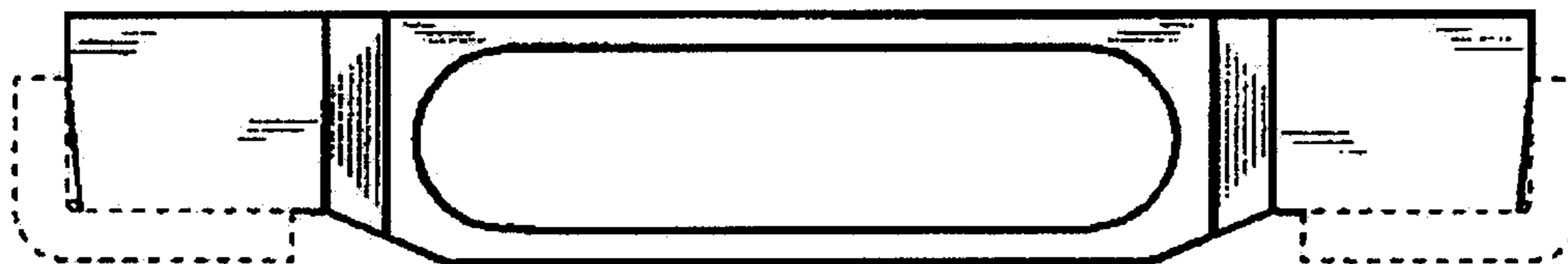


FIG. 9 shows a front view of the design according to a second embodiment of the invention.

FIG. 10 shows a rear view of the design according to the second embodiment of the invention.

FIG. 11 shows a top view of the design according to the second embodiment of the invention.

FIG. 12 shows a bottom view of the design according to the second embodiment of the invention.

FIG. 13 shows a left side view of the design according to the second embodiment of the invention. The right side view is a mirror image of the left side view.

FIG. 14 shows a top perspective view of the design according to the second embodiment of the invention.

FIG. 15 shows a bottom perspective view of the design according to the second embodiment of the invention; and, FIG. 16 shows a front view of the design according to the second embodiment of the invention, indicating a translucent portion.

The elements shown in broken lines are for illustrative purposes only and form no part of the claimed design.

1 Claim, 4 Drawing Sheets

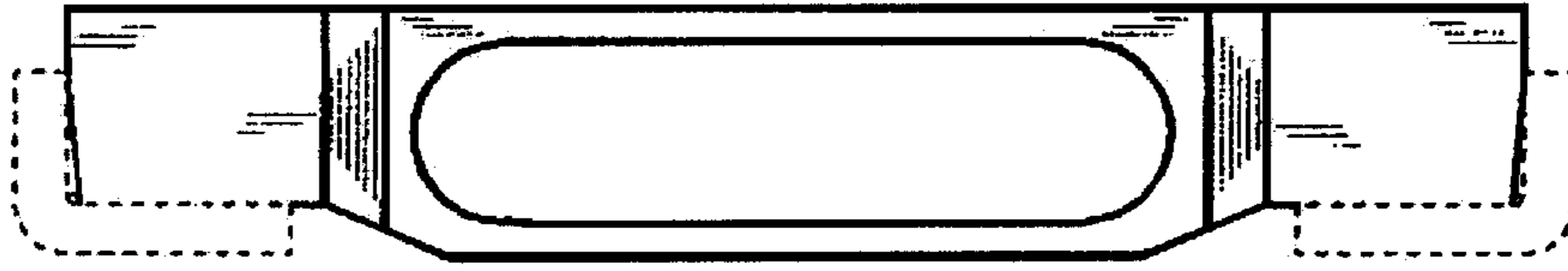


FIG. 1

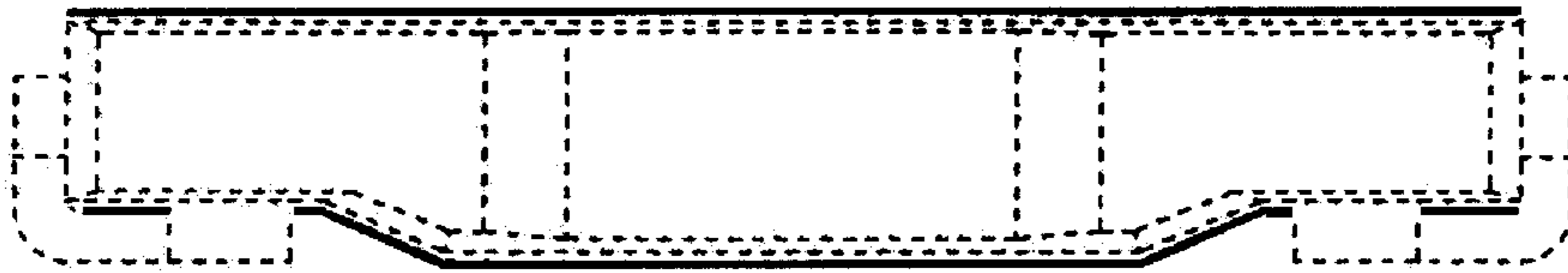


FIG. 2

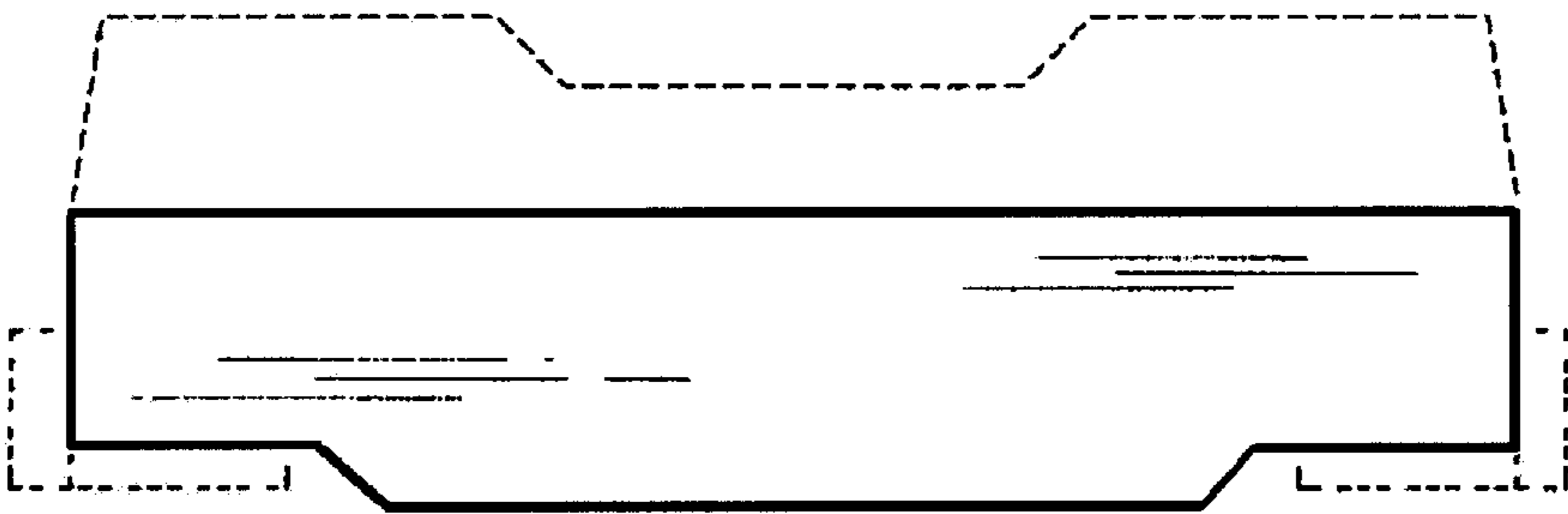


FIG. 3

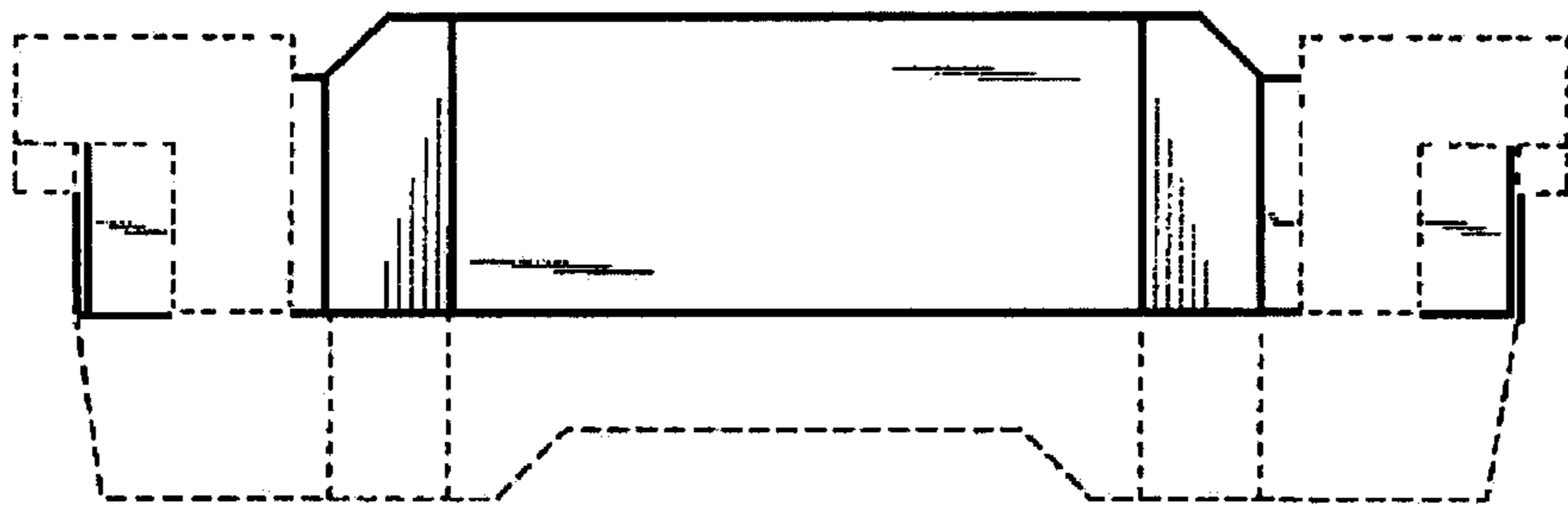


FIG. 4



FIG. 5

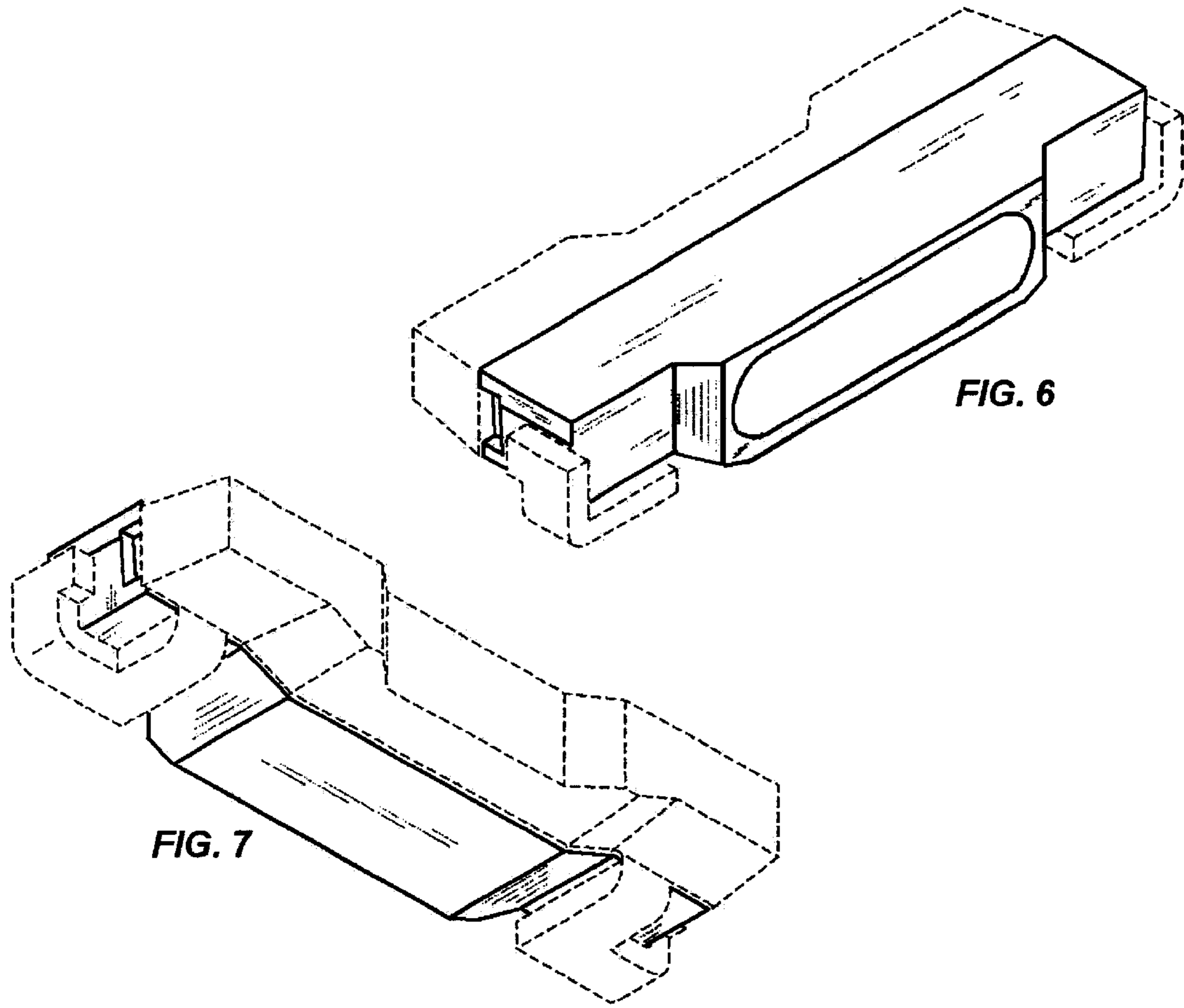


FIG. 7

FIG. 6

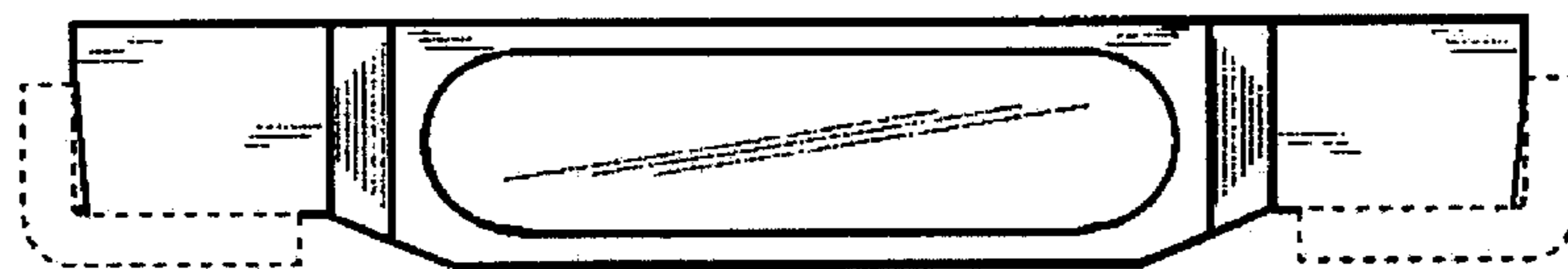


FIG. 8

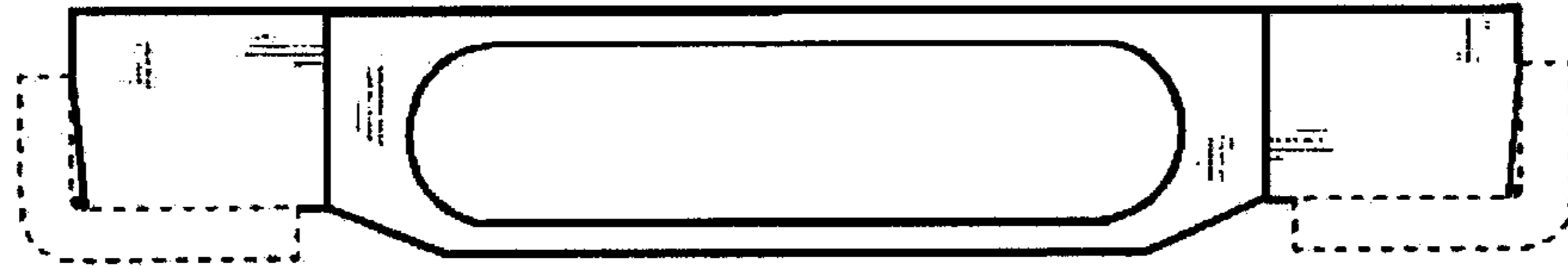


FIG. 9

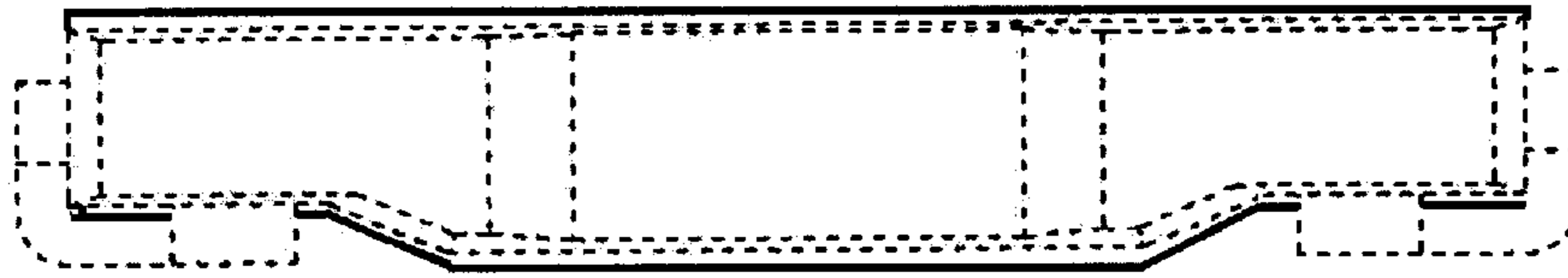


FIG. 10

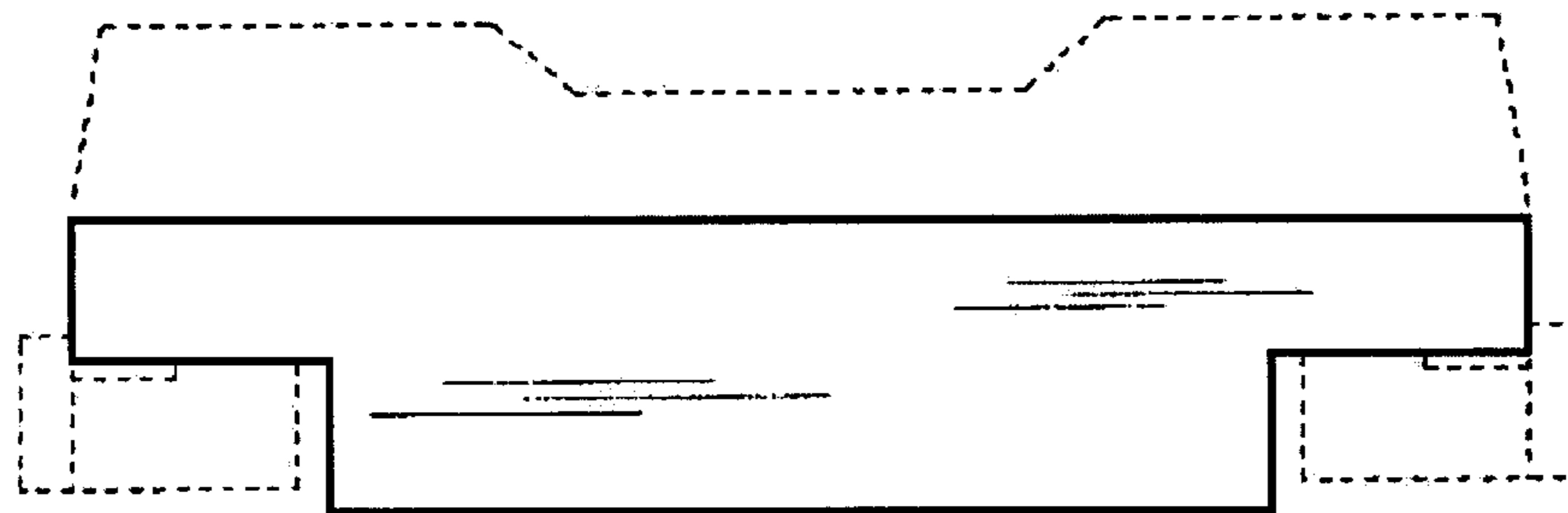


FIG. 11

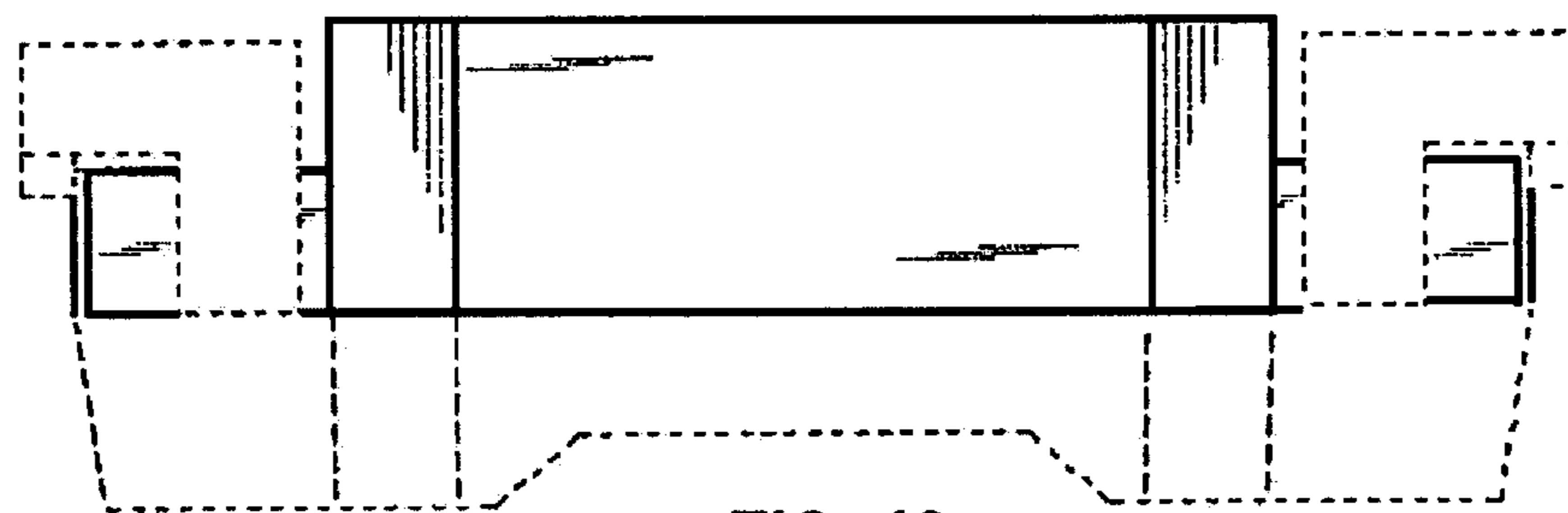


FIG. 12

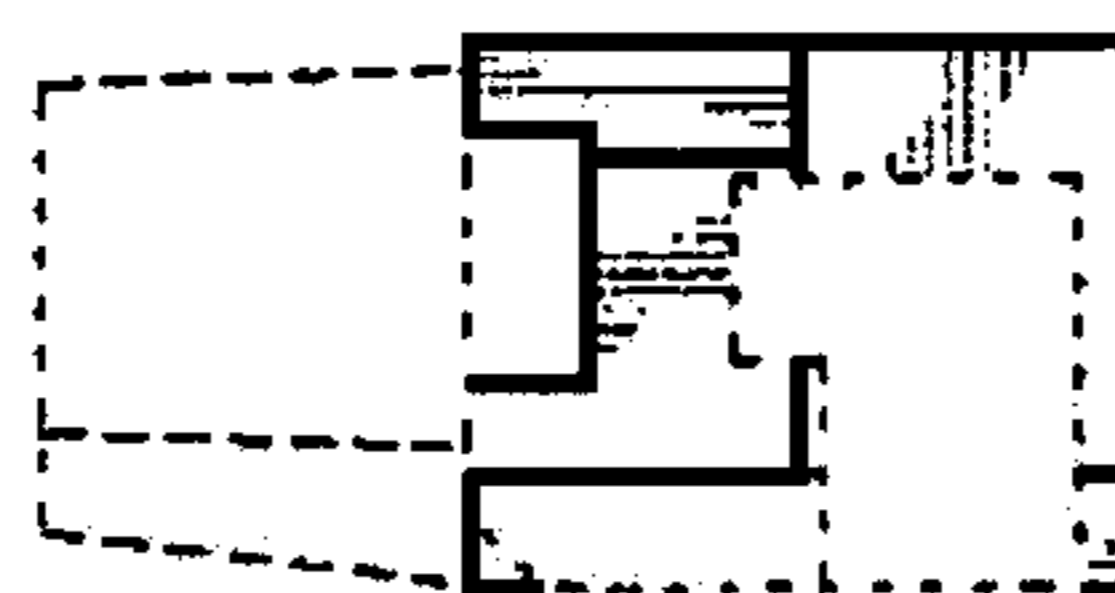


FIG. 13

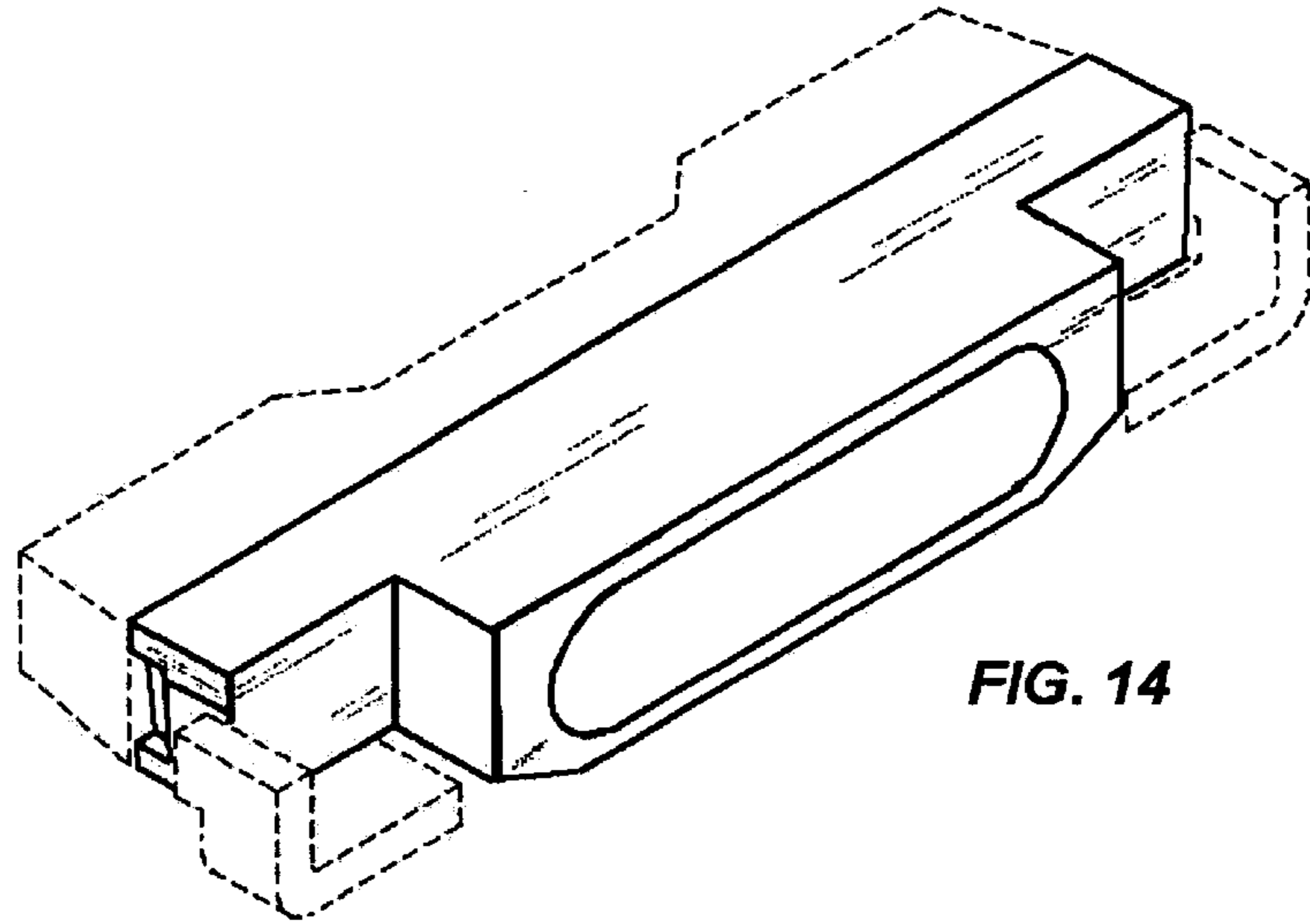


FIG. 14

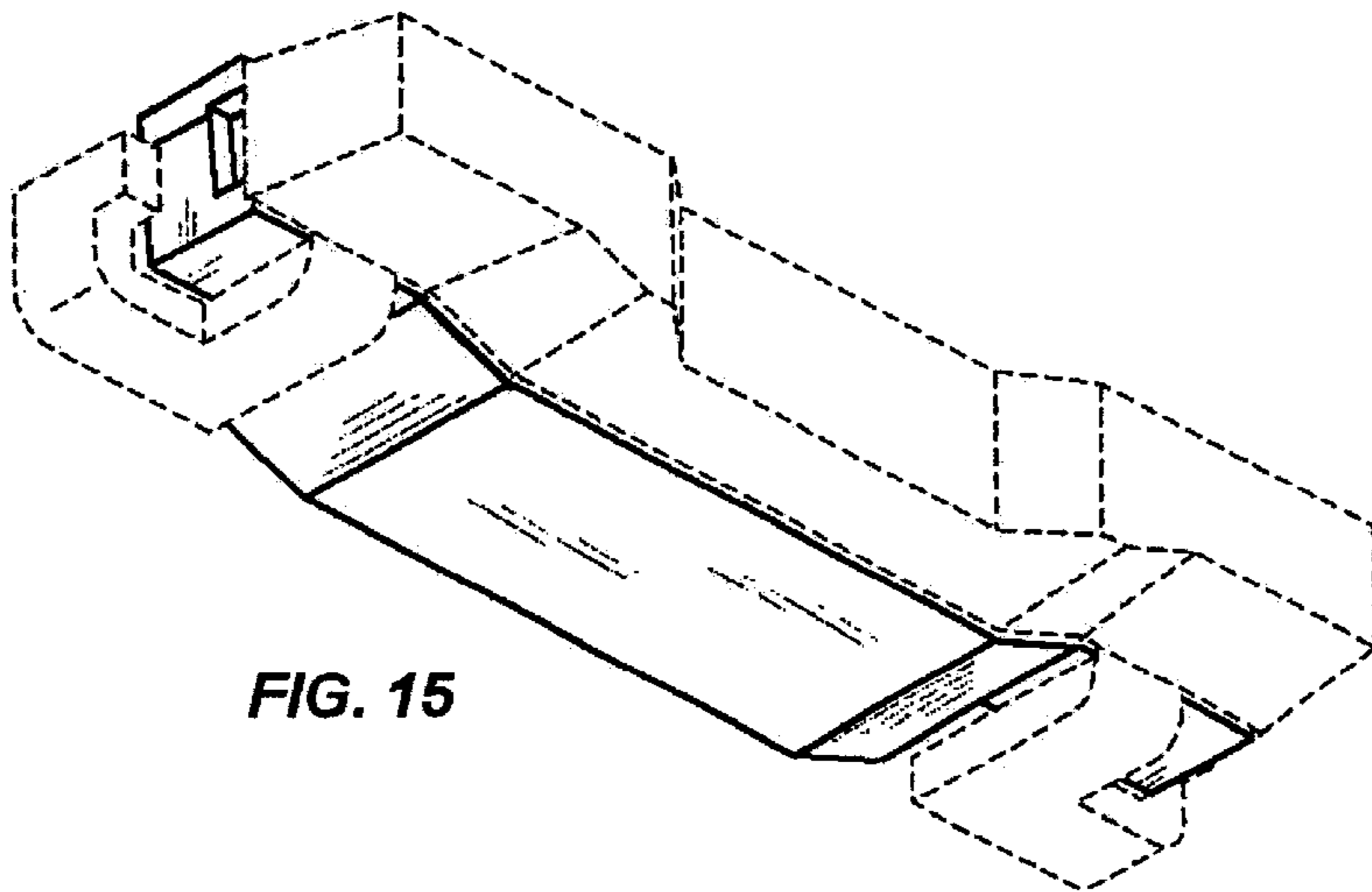


FIG. 15

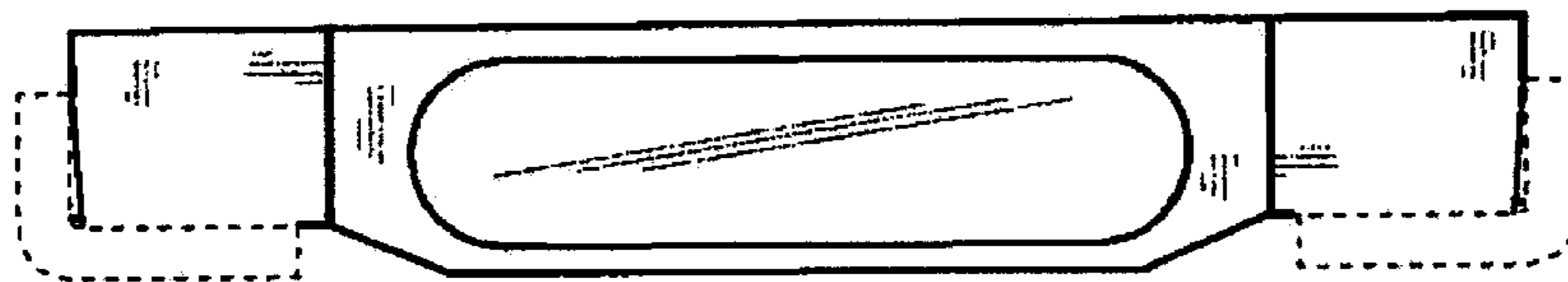


FIG. 16