

US00D518445S

(12) **United States Design Patent**  
**Fan**

(10) **Patent No.:** **US D518,445 S**  
(45) **Date of Patent:** **\*\* Apr. 4, 2006**

(54) **ELECTRICAL CONNECTOR**

(75) Inventor: **Chia-Hao Fan, Tu-Cheng (TW)**

(73) Assignee: **Hon Hai Precision Ind. Co., Ltd.,  
Taipei Hsien (TW)**

(\*\*) Term: **14 Years**

(21) Appl. No.: **29/233,404**

(22) Filed: **Jun. 30, 2005**

(30) **Foreign Application Priority Data**

Mar. 25, 2005 (TW) ..... 94301660

(51) **LOC (8) Cl.** ..... **13-03**

(52) **U.S. Cl.** ..... **D13/147**

(58) **Field of Classification Search** ..... D13/146,  
D13/147, 184, 199; 439/74, 79, 83, 108,  
439/181, 607-610, 637, 638  
See application file for complete search history.

(56) **References Cited**

**U.S. PATENT DOCUMENTS**

- D301,870 S \* 6/1989 Shibano ..... D13/147
- D451,885 S \* 12/2001 Hisatomi et al. .... D13/147
- D471,872 S \* 3/2003 Kawase ..... D13/147
- 6,672,887 B1 \* 1/2004 Yu ..... 439/108

- D491,527 S \* 6/2004 Fan ..... D13/147
- D497,598 S \* 10/2004 Kimura et al. .... D13/147
- D500,738 S \* 1/2005 Obikane et al. .... D13/147
- D500,741 S \* 1/2005 Fan ..... D13/147
- D502,921 S \* 3/2005 Zhang et al. .... D13/147
- D506,442 S \* 6/2005 Obikane et al. .... D13/147
- D506,443 S \* 6/2005 Moritake ..... D13/147
- 2004/0023537 A1 \* 2/2004 Sasame et al. .... 439/181

\* cited by examiner

*Primary Examiner*—Stella Reid

*Assistant Examiner*—Daniel Bui

(74) *Attorney, Agent, or Firm*—Wei Te Chung

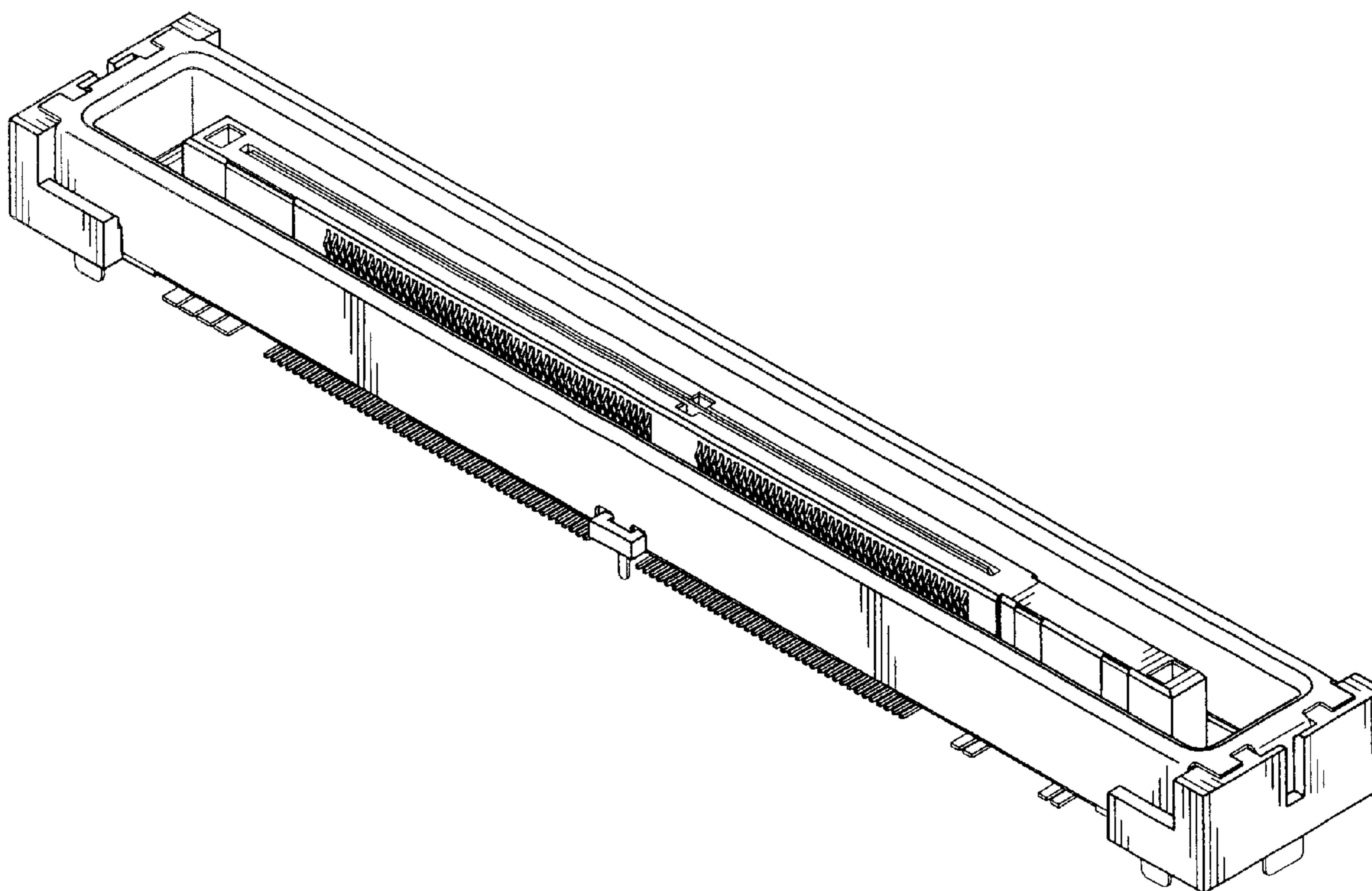
(57) **CLAIM**

The ornamental design for an electrical connector, as shown.

**DESCRIPTION**

FIG. 1 is a front, top and right side perspective view of an electrical connector showing my new design; FIG. 2 is a front elevational view thereof; FIG. 3 is a rear elevational view thereof; FIG. 4 is a left side elevational view thereof; FIG. 5 is a right side elevational view thereof; FIG. 6 is a top plan view thereof; and, FIG. 7 is a bottom plan view thereof.

**1 Claim, 6 Drawing Sheets**



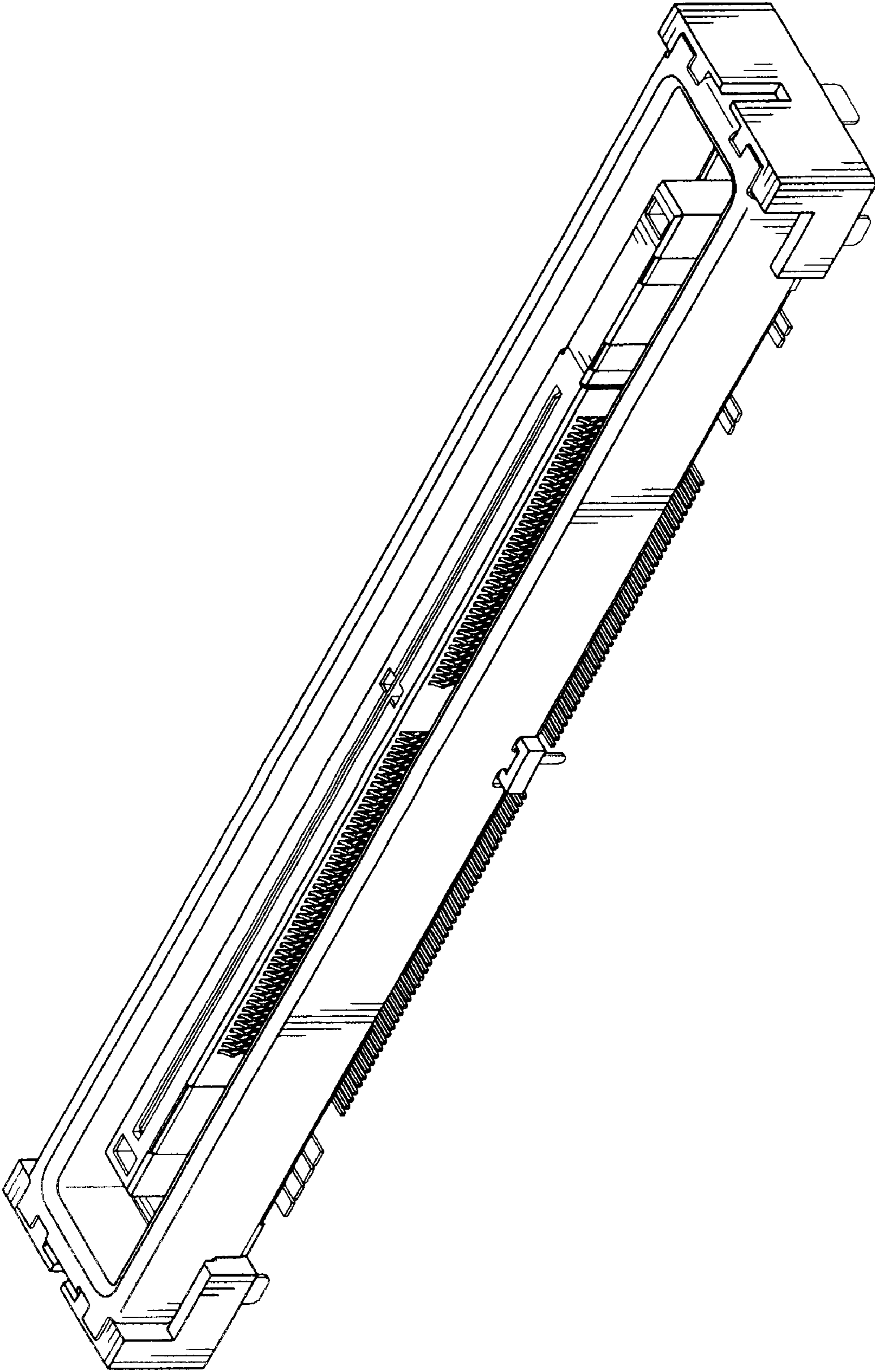


FIG. 1

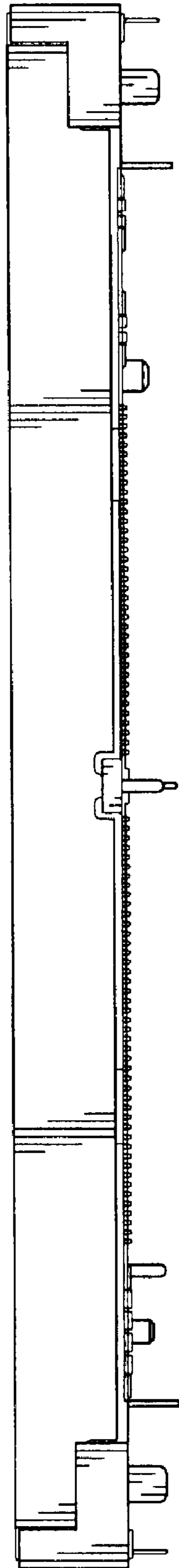


FIG. 2

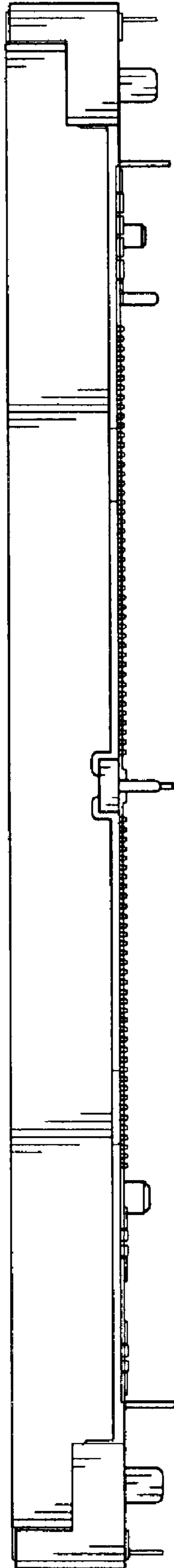


FIG. 3

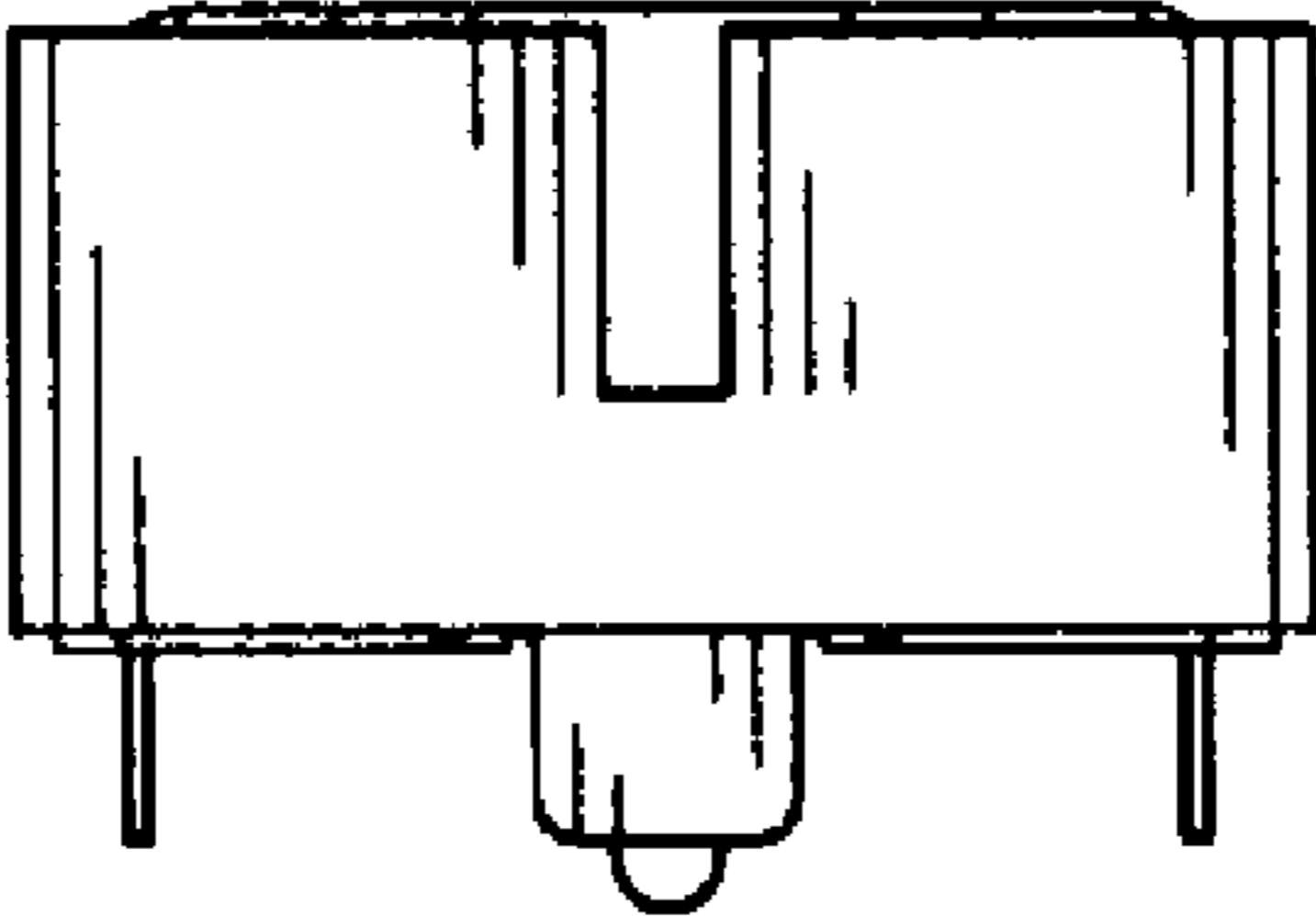


FIG. 4

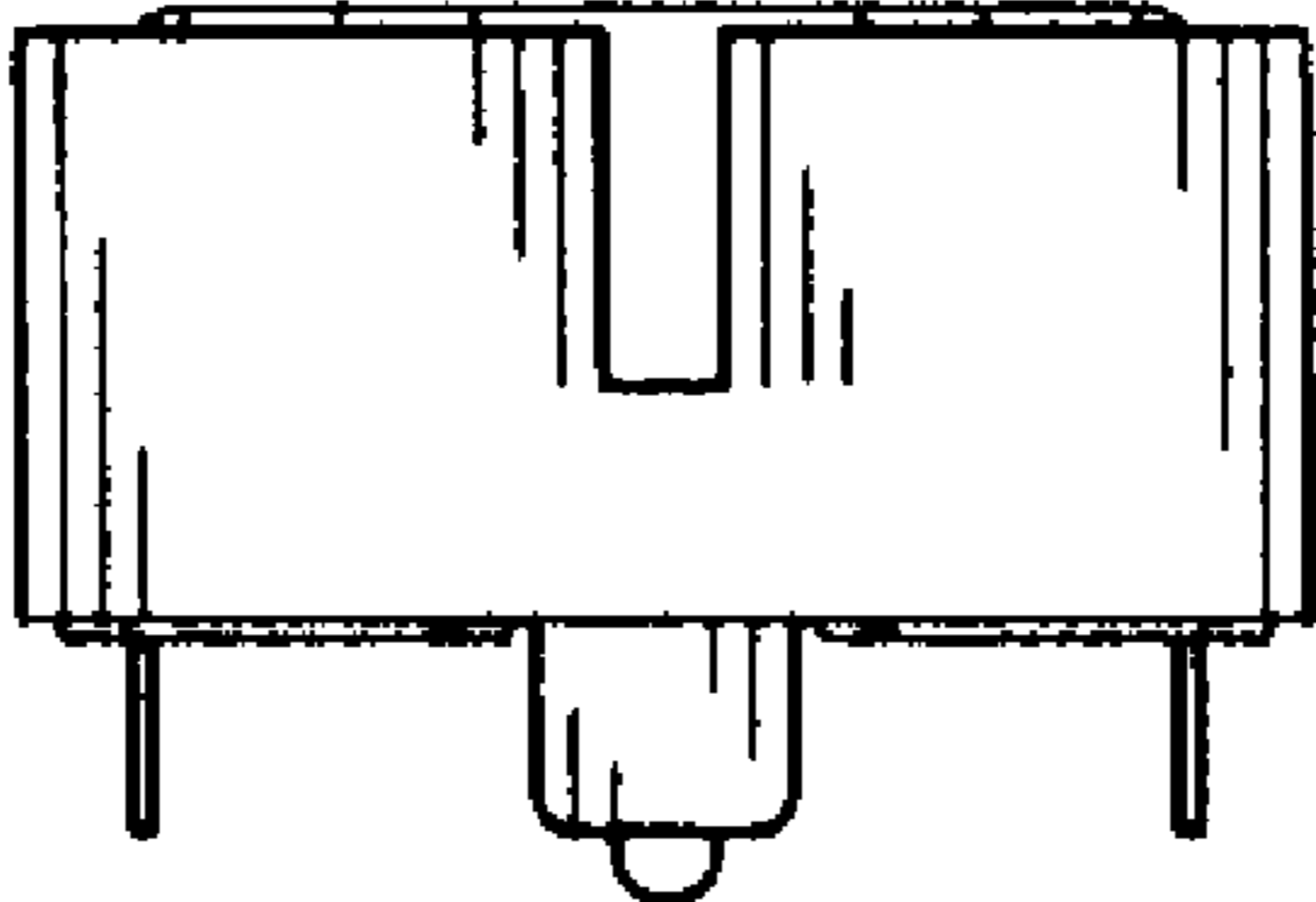


FIG. 5

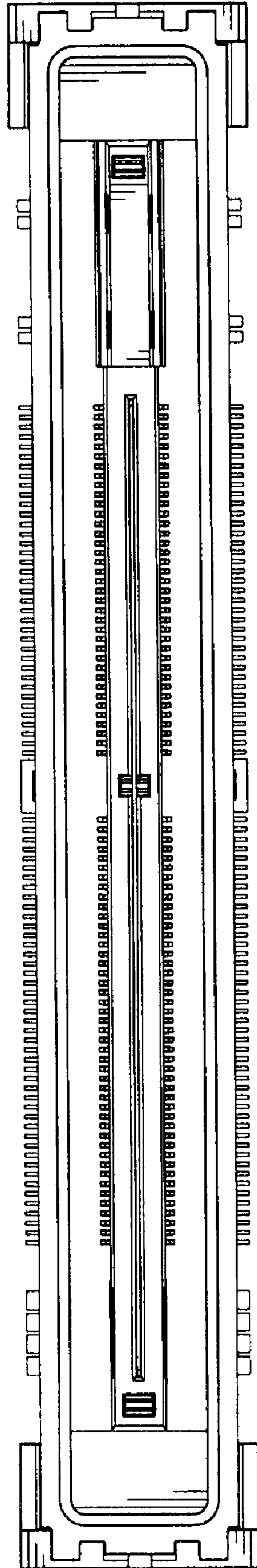


FIG. 6

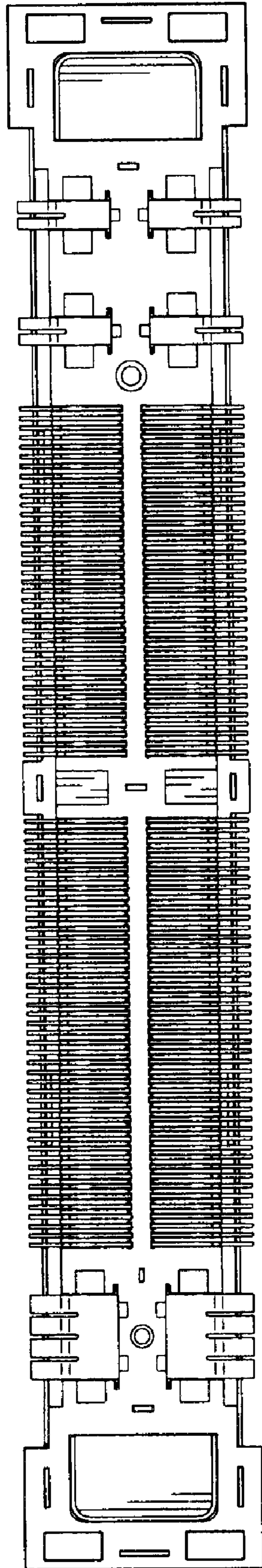


FIG. 7