



US00D518444S

(12) **United States Design Patent**
Chen et al.

(10) **Patent No.:** **US D518,444 S**

(45) **Date of Patent:** **** Apr. 4, 2006**

(54) **CONNECTOR**

(75) Inventors: **Ping-Chih Chen**, Tu-Cheng (TW);
Mao-Jung Huang, Tu-Cheng (TW);
Te-Hung Yin, Tu-Cheng (TW)

(73) Assignee: **Cheng Uei Precision Industry Co., Ltd.**, Taipei Hsien (TW)

(**) Term: **14 Years**

(21) Appl. No.: **29/231,384**

(22) Filed: **Jun. 4, 2005**

(51) **LOC (8) Cl.** **13-03**

(52) **U.S. Cl.** **D13/147**

(58) **Field of Classification Search** D13/133,
D13/146-147, 184, 199; 439/79, 83, 108,
439/181, 378, 495, 573, 637-638, 677, 680-681
See application file for complete search history.

(56) **References Cited**

U.S. PATENT DOCUMENTS

D194,501 S * 2/1963 Maurer D13/147
D216,888 S * 3/1970 Kunkle et al. D13/147

D271,685 S * 12/1983 Casciotti et al. D13/147
5,885,088 A * 3/1999 Brennan et al. 439/680
D425,865 S * 5/2000 Chiou D13/147
6,102,735 A * 8/2000 Chen et al. 439/573
D431,531 S * 10/2000 Chih D13/147
D489,039 S * 4/2004 Kawase et al. D13/147

* cited by examiner

Primary Examiner—Stella Reid

Assistant Examiner—Daniel Bui

(57) **CLAIM**

The ornamental design for a connector, as shown and described following.

DESCRIPTION

FIG. 1 is a perspective view of a connector showing our new design;

FIG. 2 is a front elevational view thereof;

FIG. 3 is a rear elevational view thereof;

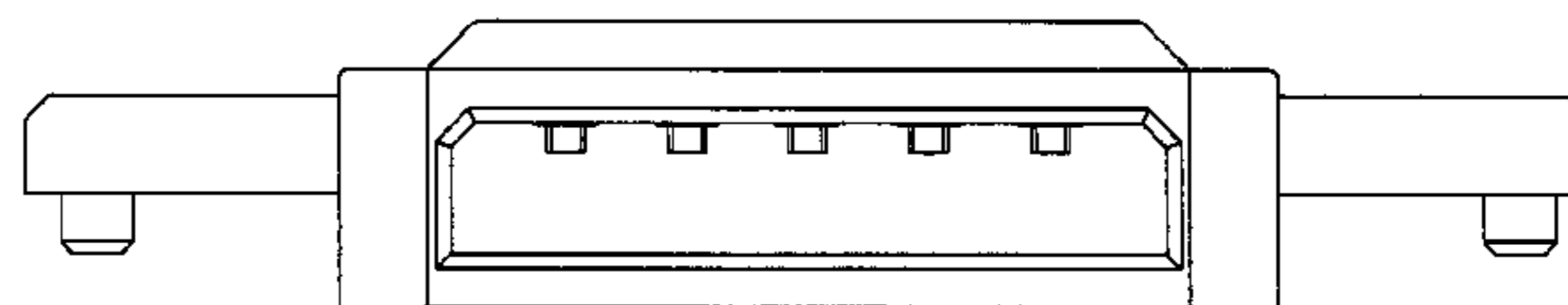
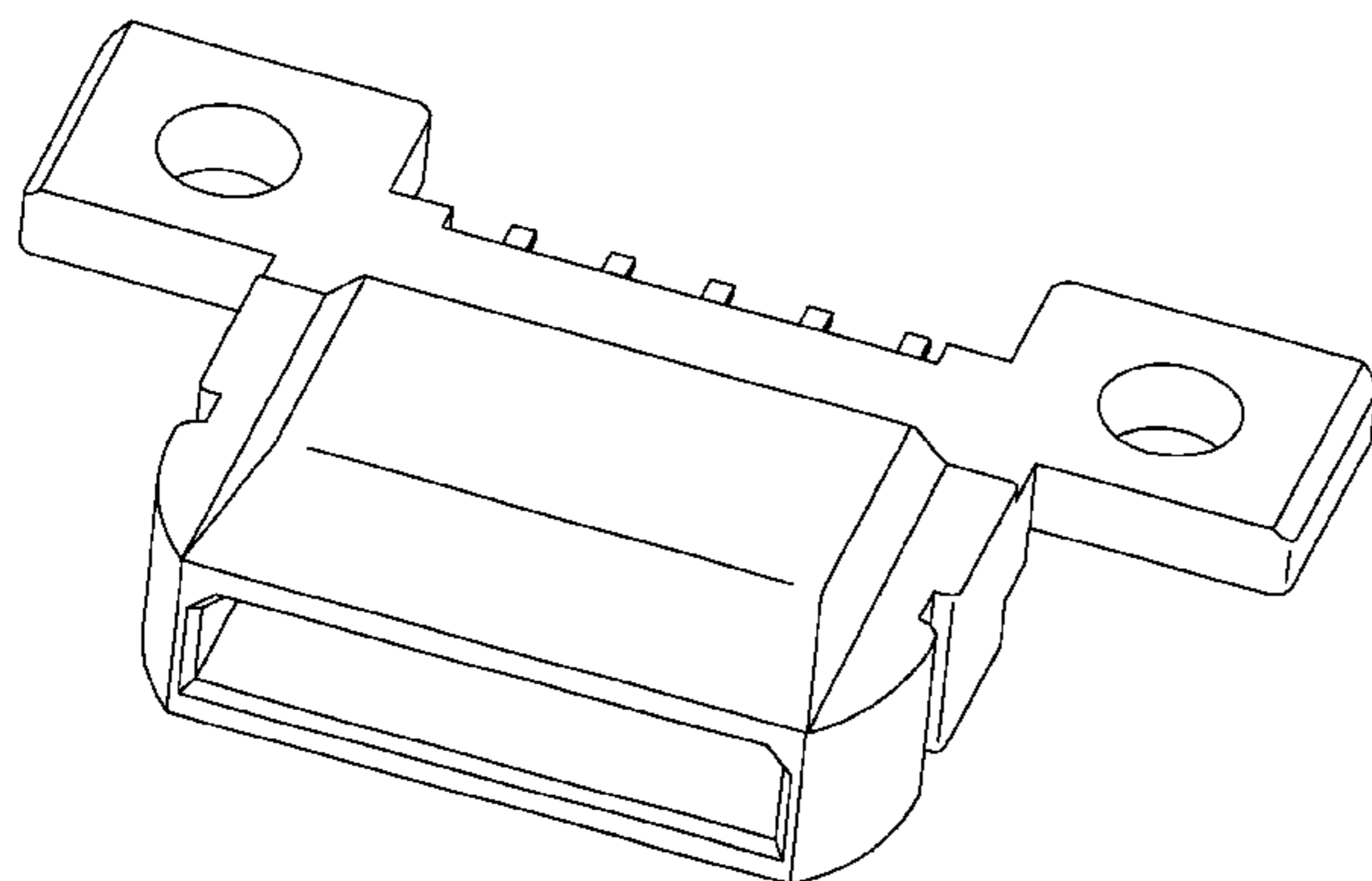
FIG. 4 is a left side elevational view thereof;

FIG. 5 is a right side elevational view thereof;

FIG. 6 is a top plan view thereof; and,

FIG. 7 is a bottom plan view thereof.

1 Claim, 7 Drawing Sheets



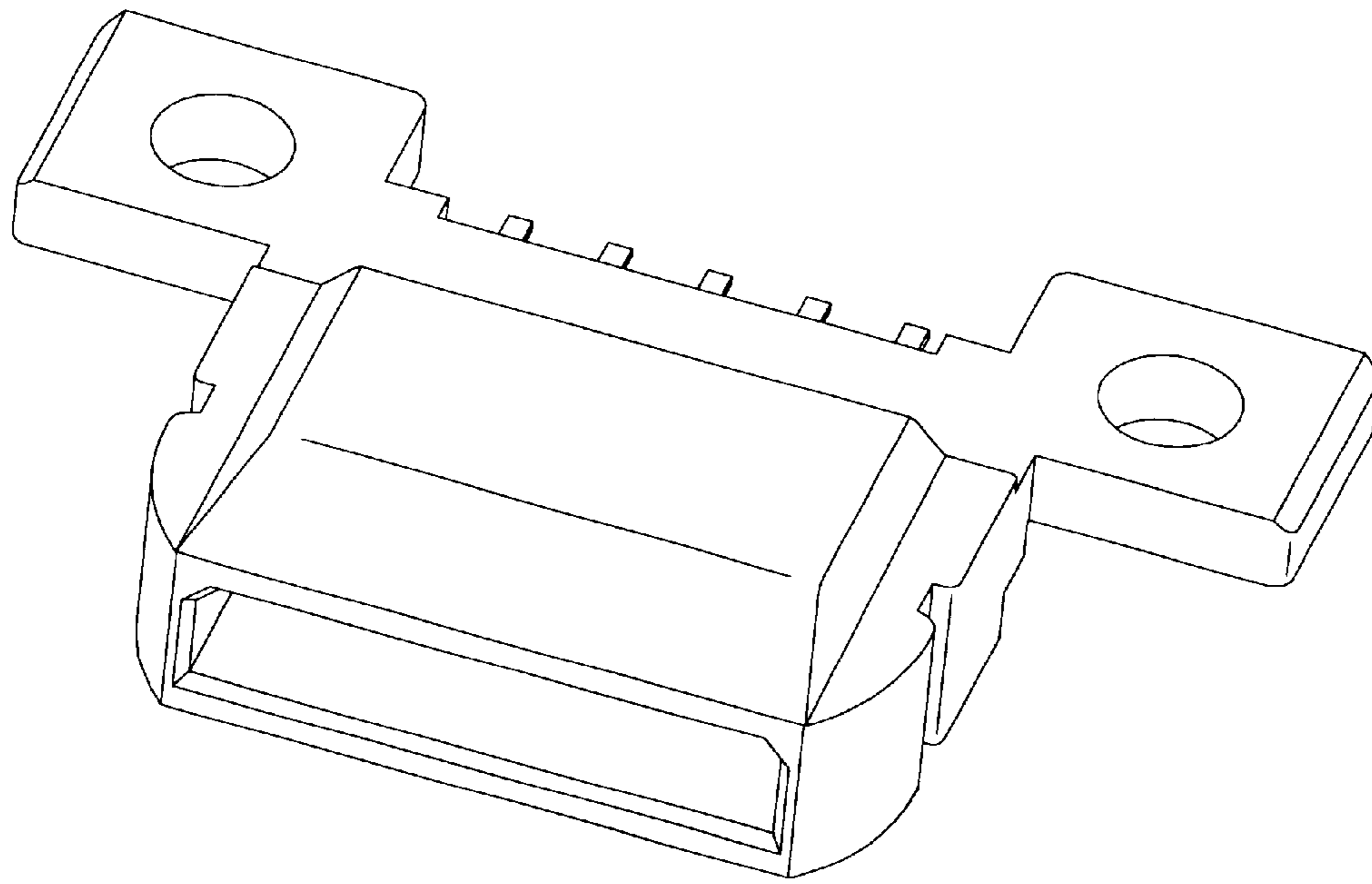


FIG. 1

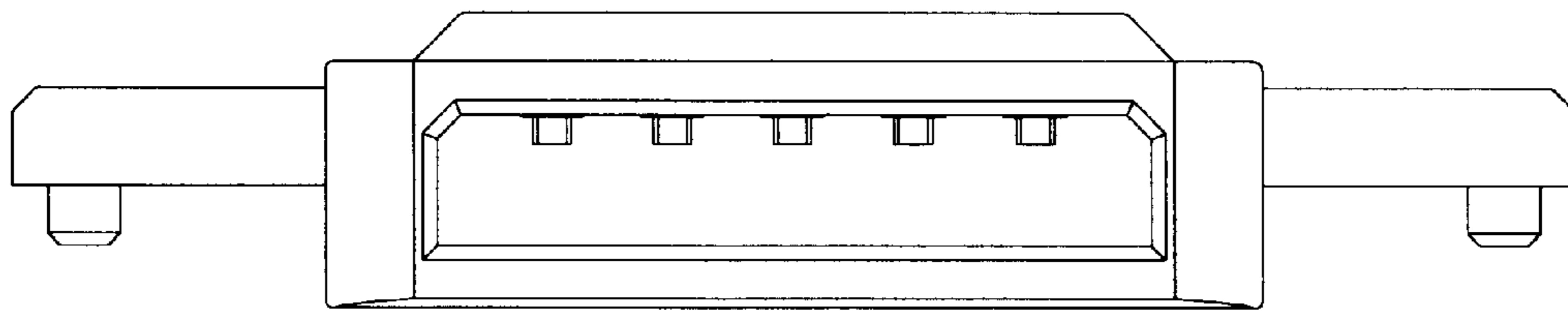


FIG. 2

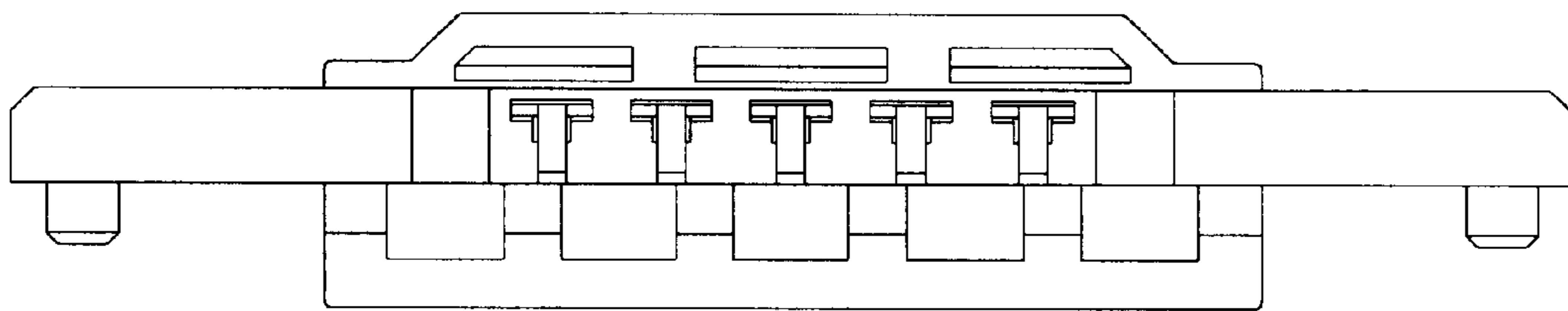


FIG. 3

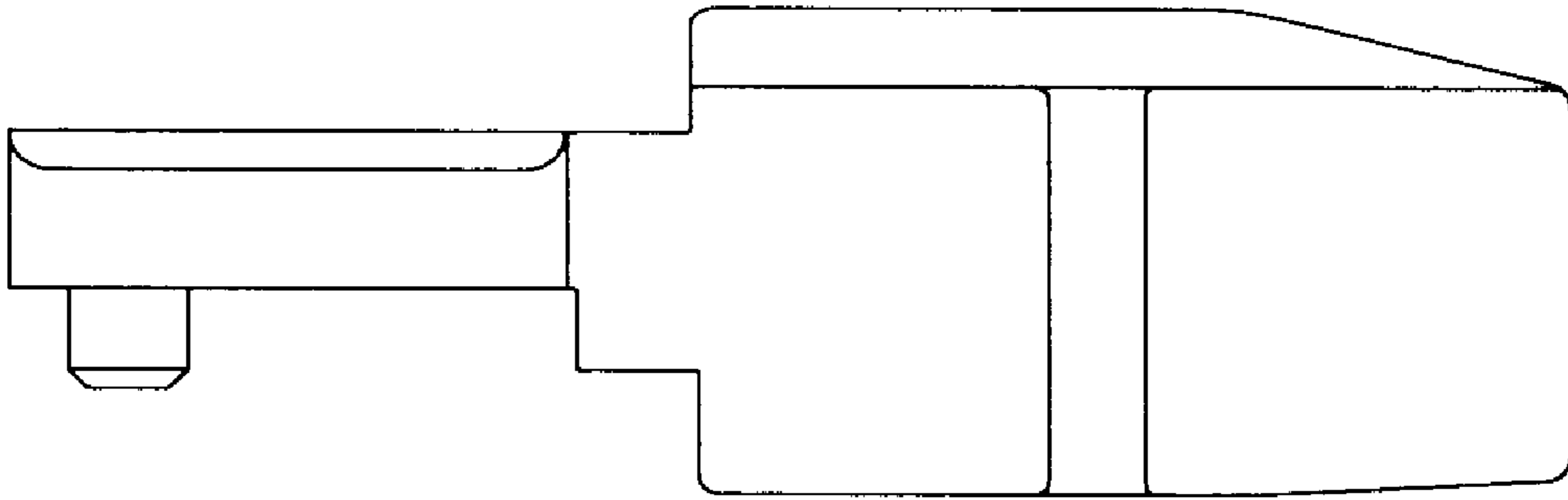


FIG. 4

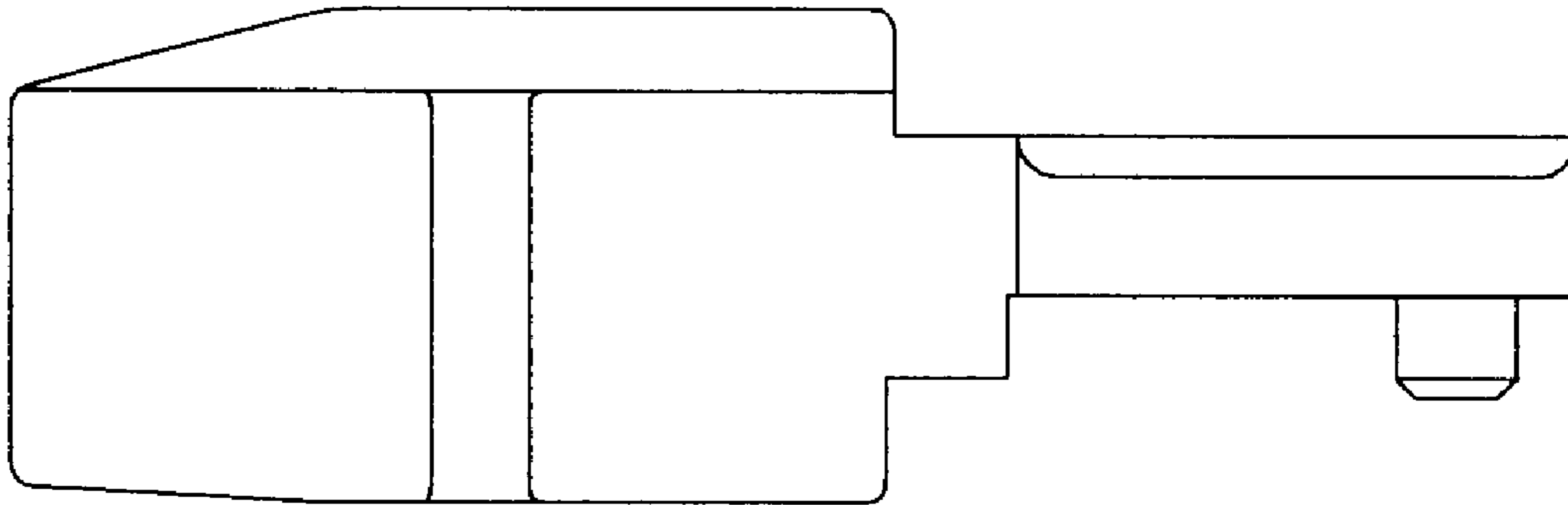


FIG. 5

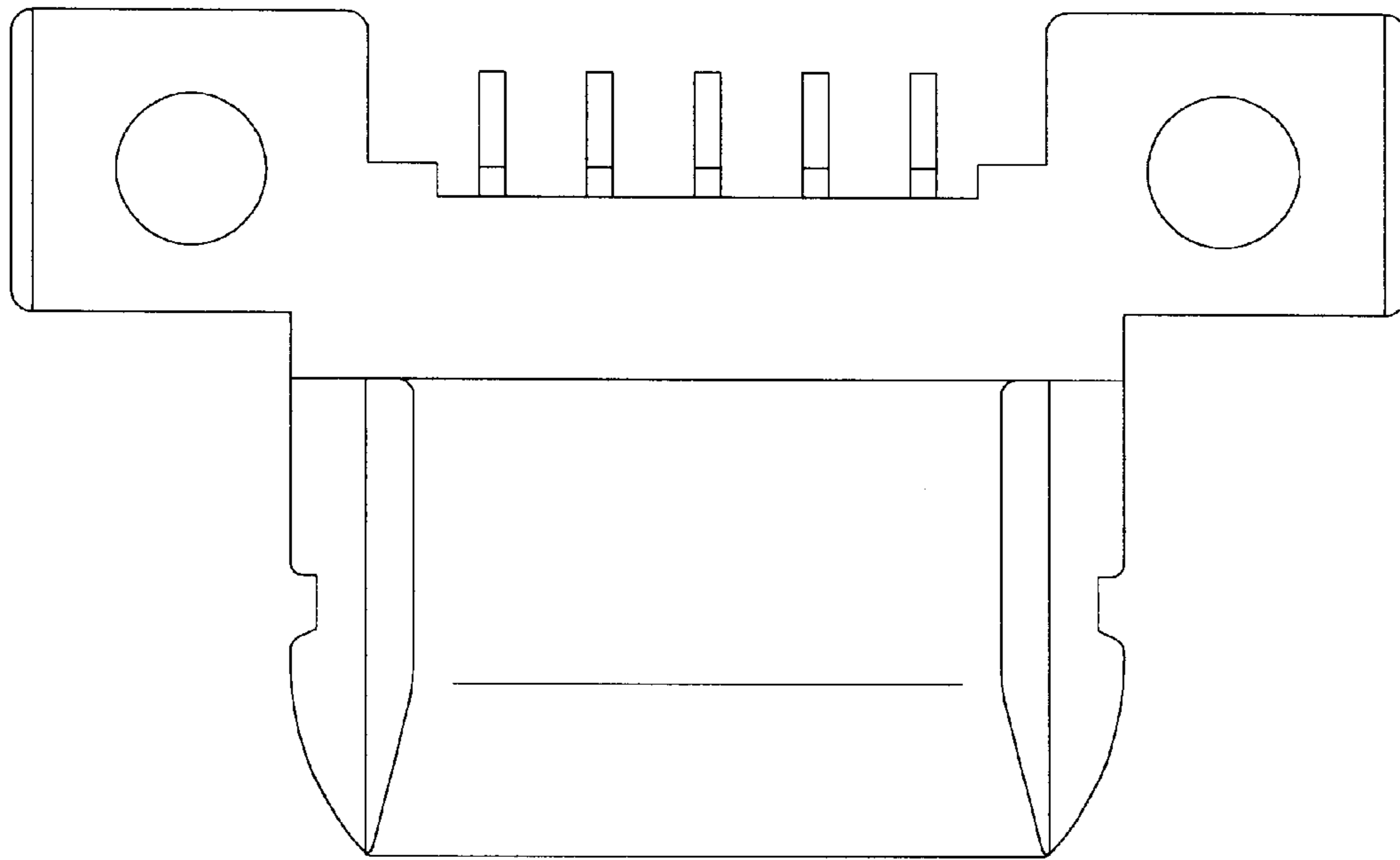


FIG. 6

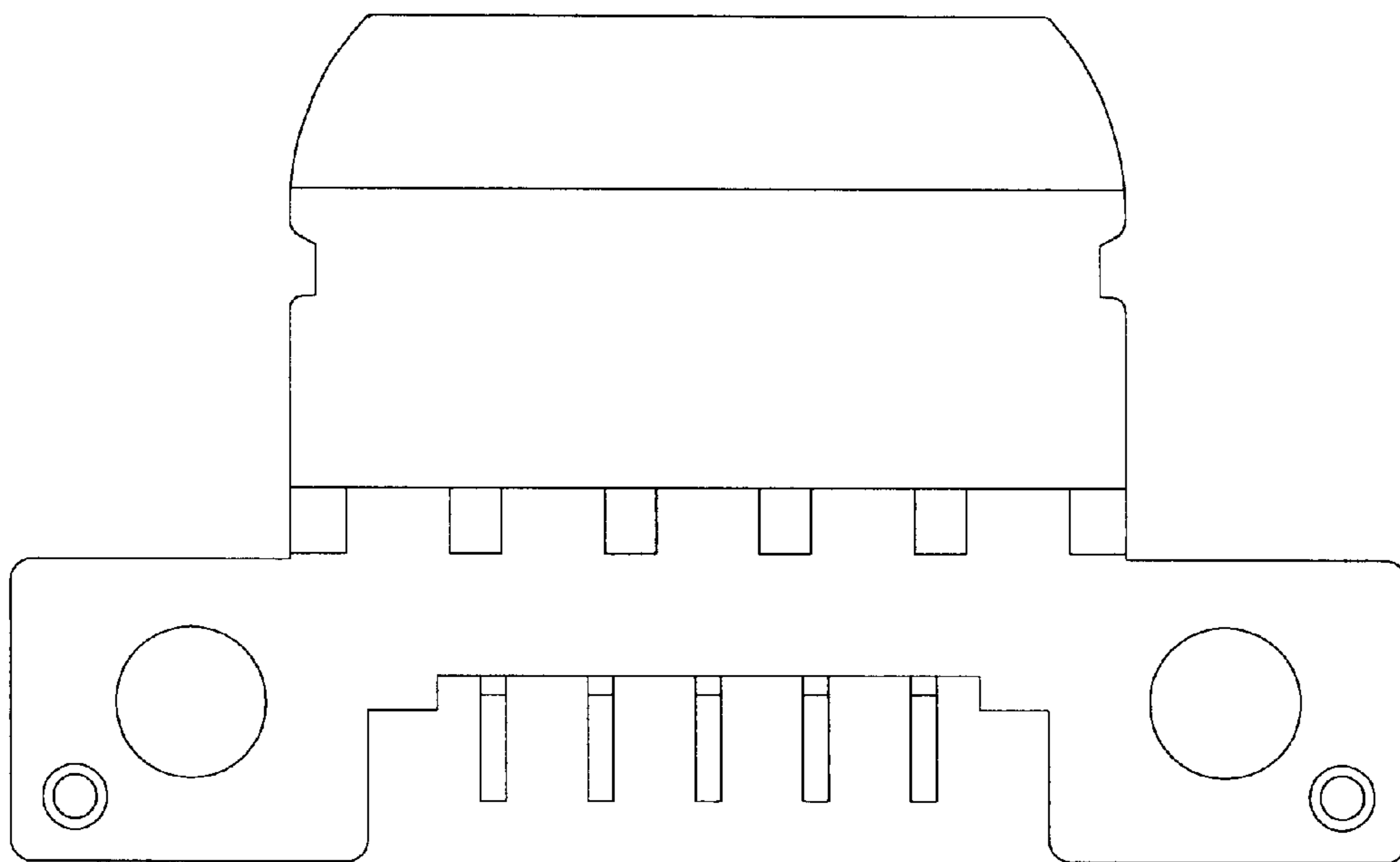


FIG. 7