



US00D518443S

(12) **United States Design Patent**  
**Kawahara et al.**

(10) **Patent No.:** **US D518,443 S**

(45) **Date of Patent:** **\*\* Apr. 4, 2006**

(54) **ELECTRICAL CONNECTOR**

(75) Inventors: **Yuzo Kawahara**, Kanagawa (JP);  
**Masahiro Takamatsu**, Aichi (JP);  
**Takahiro Ishiyama**, Aichi (JP);  
**Atsushi Nishida**, Aichi (JP); **Hiroshi Kobayashi**, Aichi (JP); **Masato Minakata**, Aichi (JP)

(73) Assignees: **Tyco Electronics AMP K.K.**, Kanagawa-Ken (JP); **Toyota Jidosha Kabushiki Kaisha**, Aichi-Ken (JP)

(\*\*) Term: **14 Years**

(21) Appl. No.: **29/226,108**

(22) Filed: **Mar. 24, 2005**

(30) **Foreign Application Priority Data**

Sep. 24, 2004 (JP) ..... 2004-028871

(51) **LOC (8) Cl.** ..... **13-03**

(52) **U.S. Cl.** ..... **D13/147**

(58) **Field of Classification Search** ..... D13/146,  
D13/147, 184, 199; 439/350, 352-354, 357-358,  
439/497, 567, 607-610, 752

See application file for complete search history.

(56) **References Cited**

**U.S. PATENT DOCUMENTS**

D416,863 S \* 11/1999 Sato et al. .... D13/147  
D453,922 S \* 2/2002 Azuma et al. .... D13/147

D460,048 S \* 7/2002 Watanabe ..... D13/147  
D476,956 S \* 7/2003 Sukegawa et al. .... D13/147  
D485,532 S \* 1/2004 Lai ..... D13/147  
D491,533 S \* 6/2004 Ko ..... D13/147  
D507,538 S \* 7/2005 Wang ..... D13/147

**FOREIGN PATENT DOCUMENTS**

JP 08-045579 2/1996  
JP 2000-294324 10/2000

\* cited by examiner

*Primary Examiner*—Stella Reid

*Assistant Examiner*—Daniel Bui

(74) *Attorney, Agent, or Firm*—Barley Snyder LLC

(57) **CLAIM**

The ornamental design for an electrical connector, as shown and described.

**DESCRIPTION**

FIG. 1 is a front elevation view of an electrical connector, showing our new design;

FIG. 2 is a rear elevation view thereof;

FIG. 3 is a top plan view thereof;

FIG. 4 is a bottom plan view thereof;

FIG. 5 is a right side elevation view thereof;

FIG. 6 is a left side elevation view thereof;

FIG. 7 is a cross-sectional view thereof, taken along line 7—7 in FIG. 2; and,

FIG. 8 is a top, front and right side perspective view thereof.

**1 Claim, 4 Drawing Sheets**

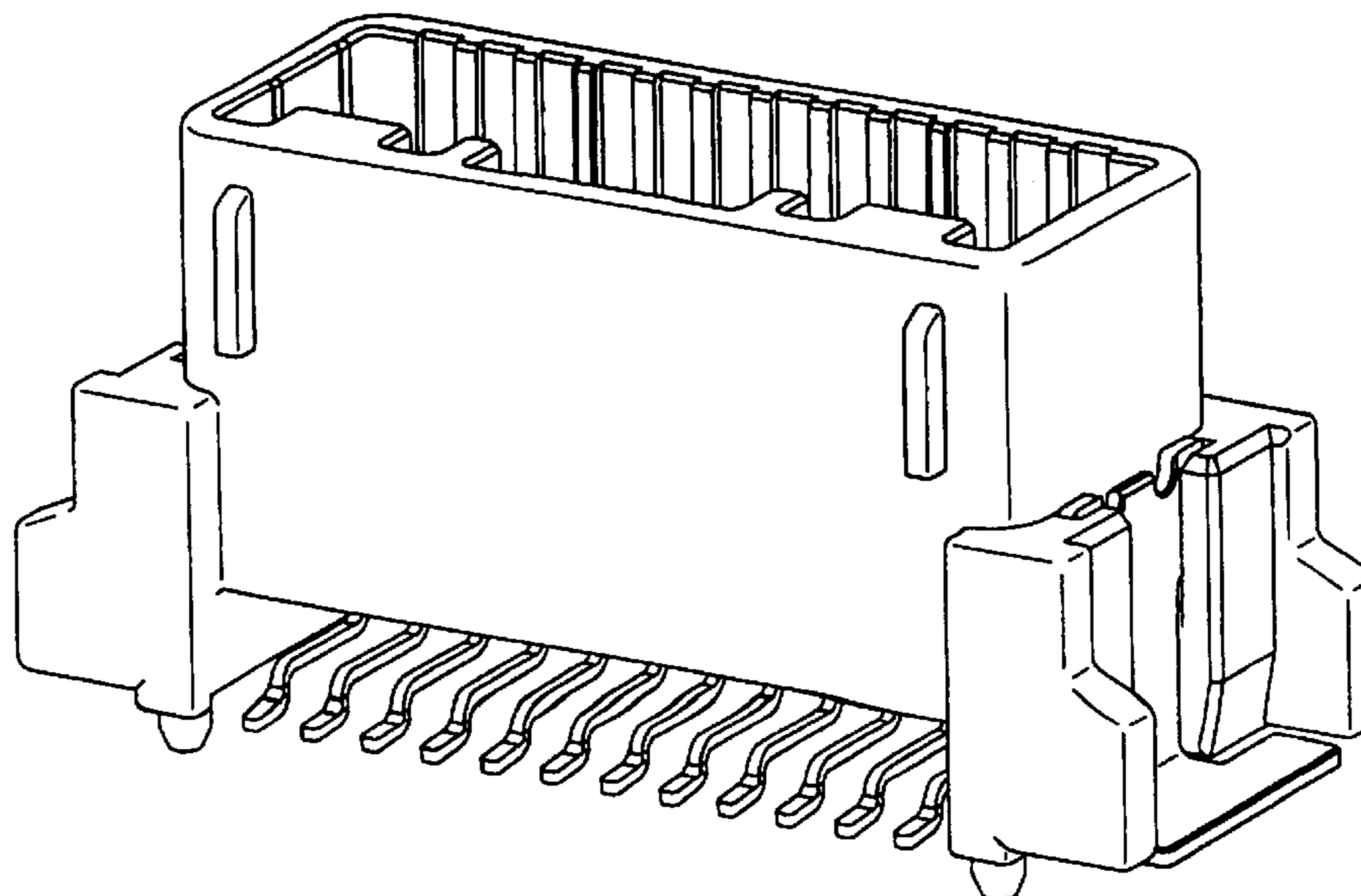


Fig 1.

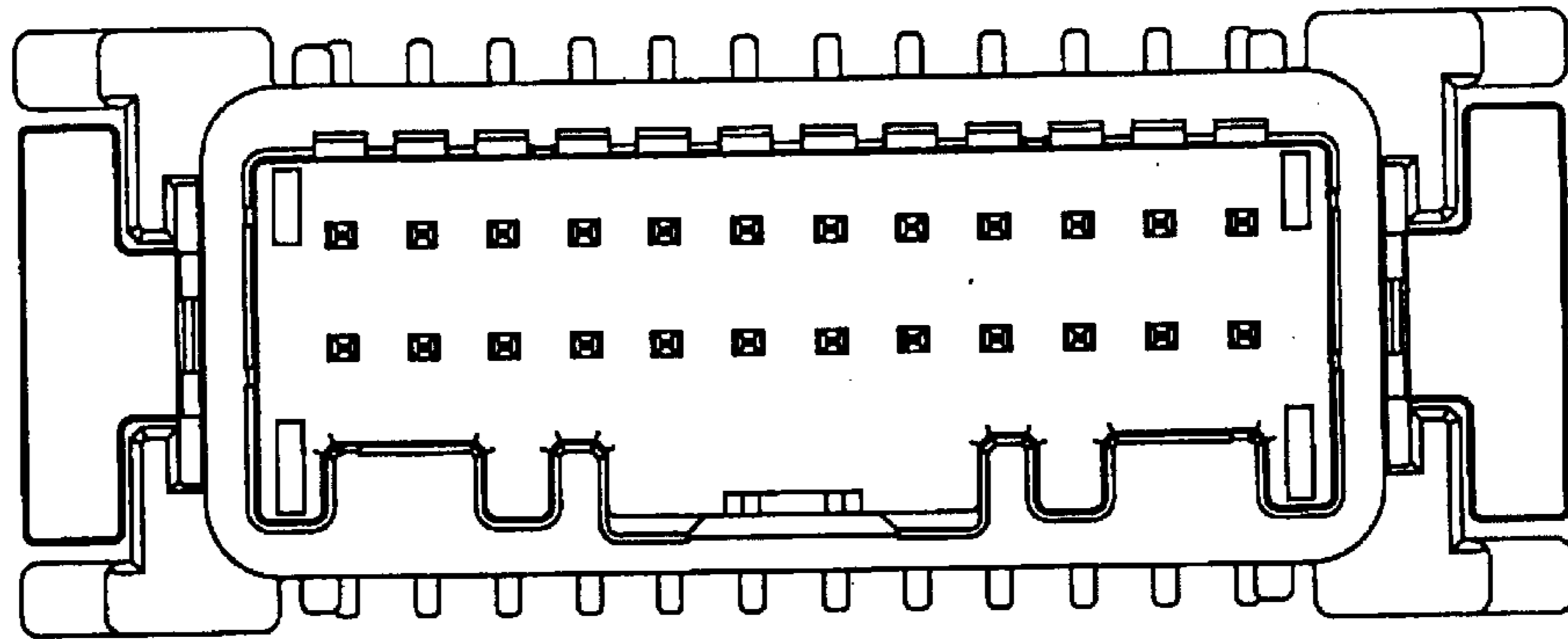


Fig. 2

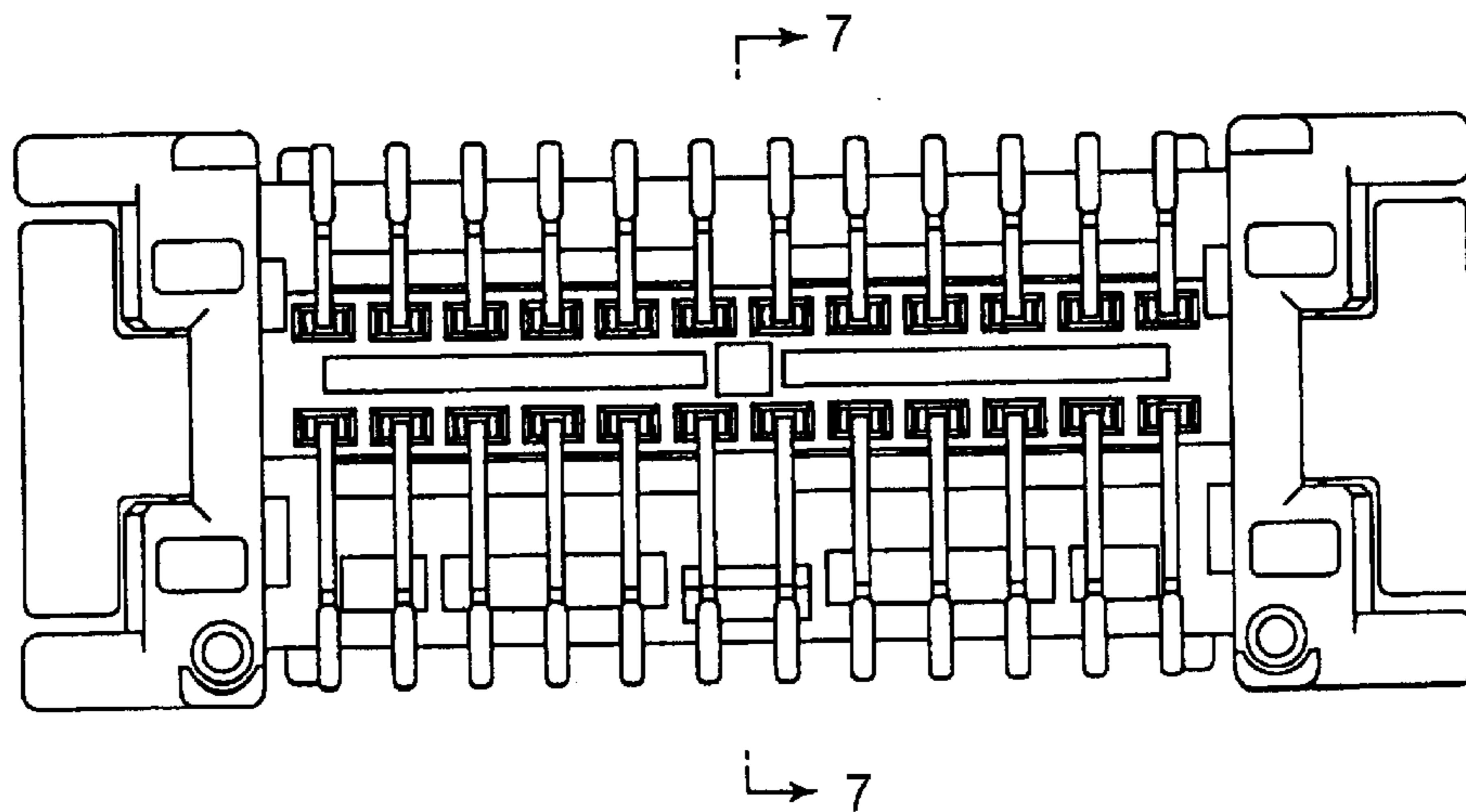


Fig. 3

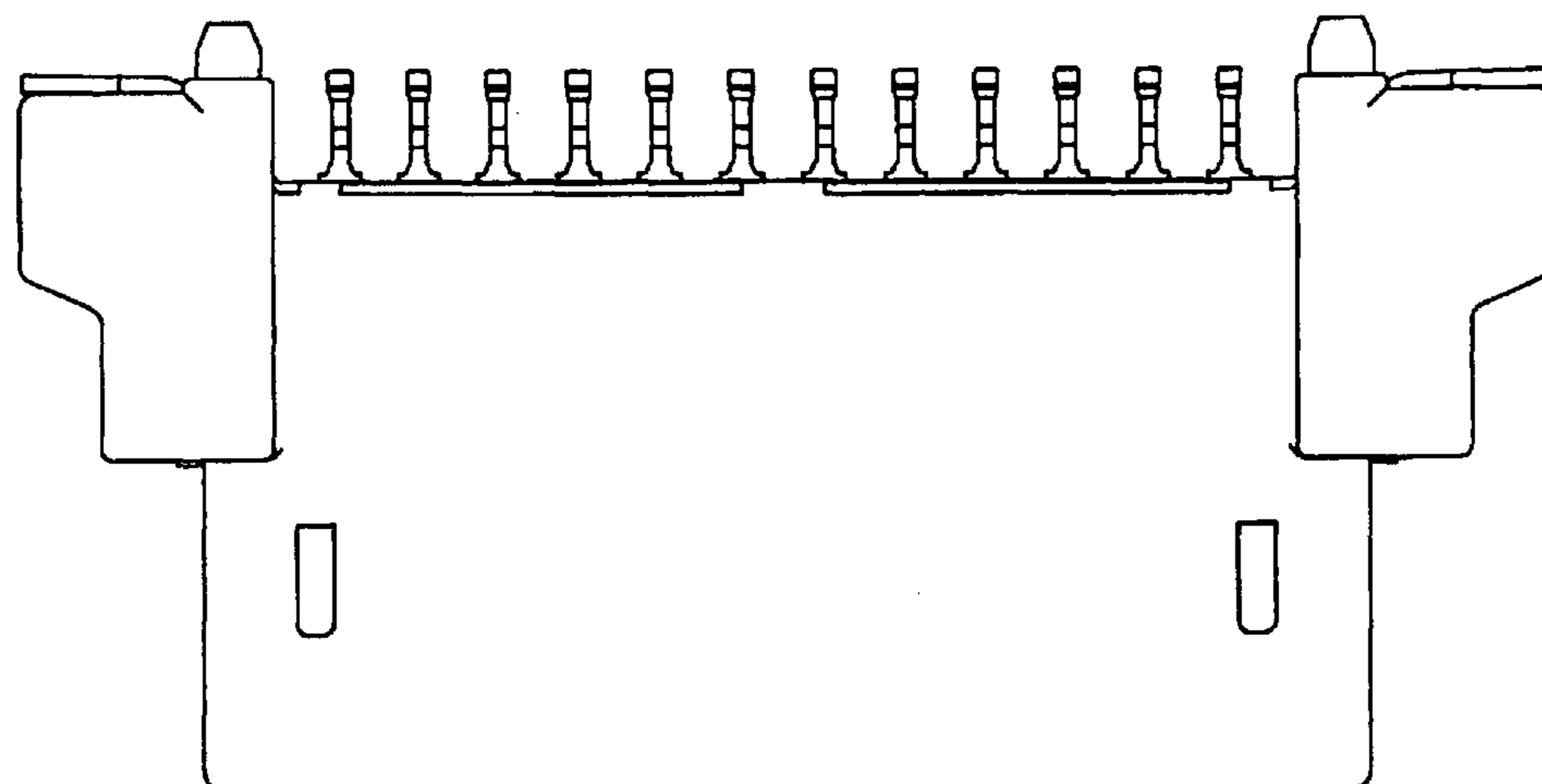


Fig. 4

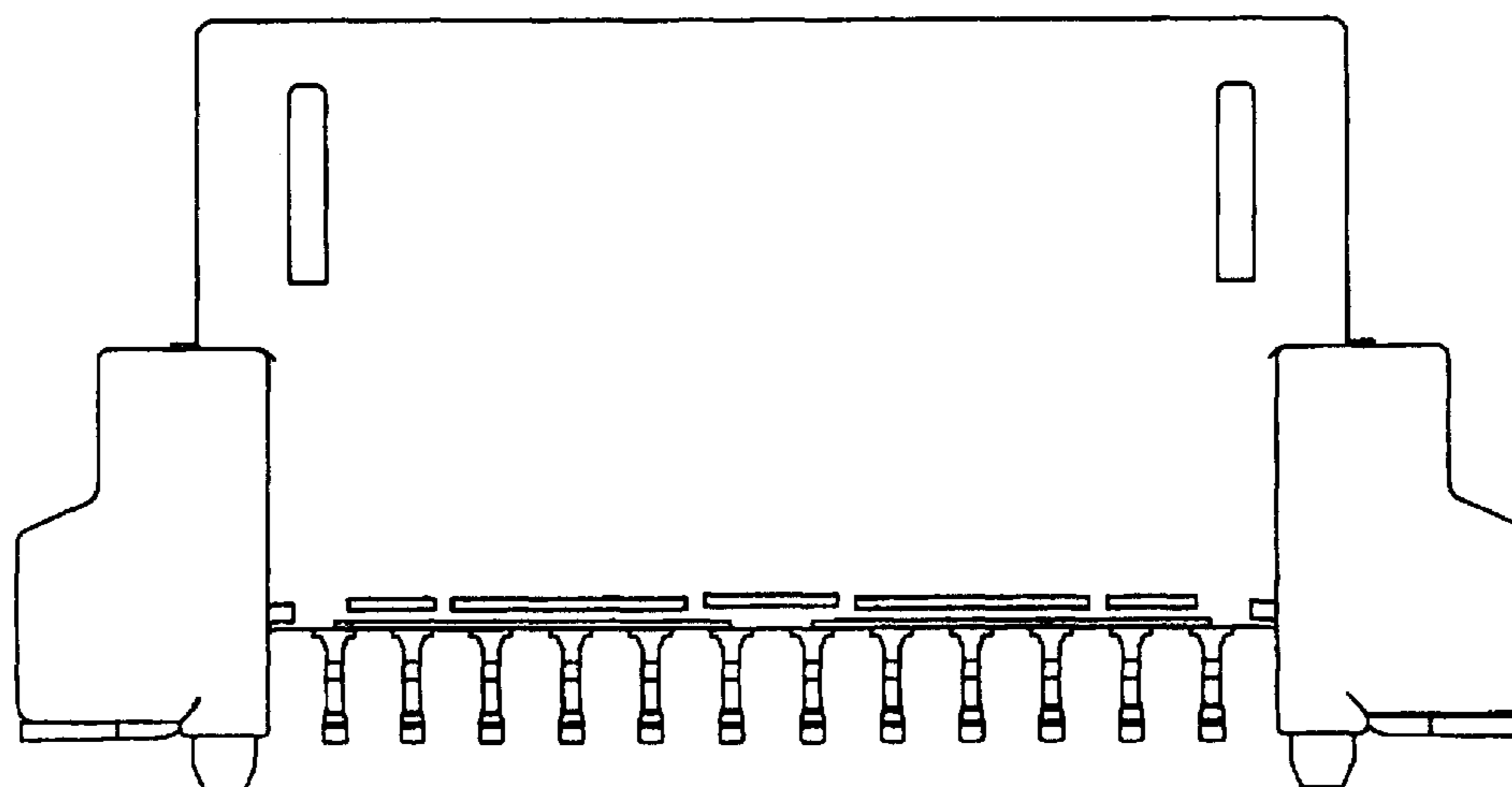


Fig. 5

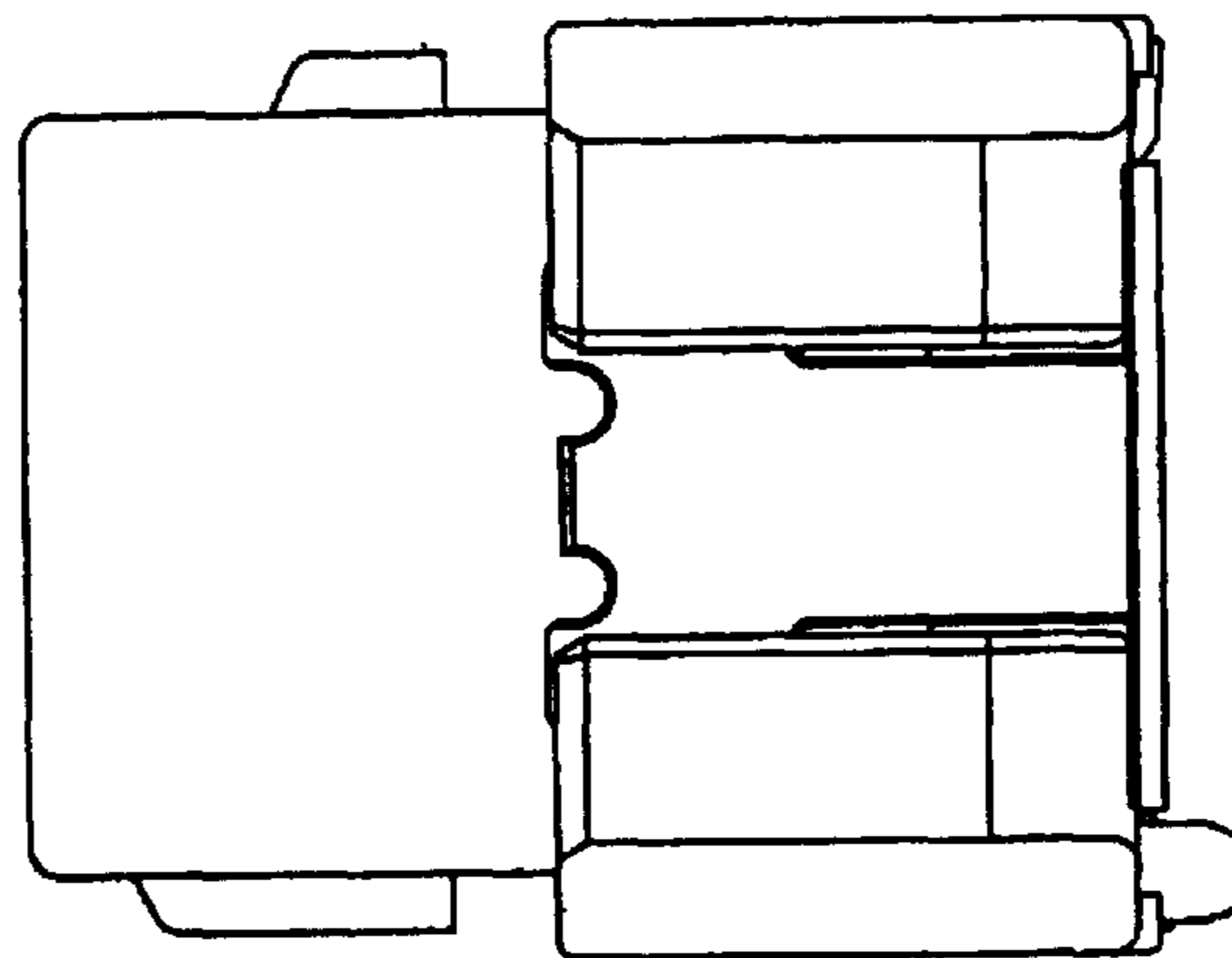


Fig. 6

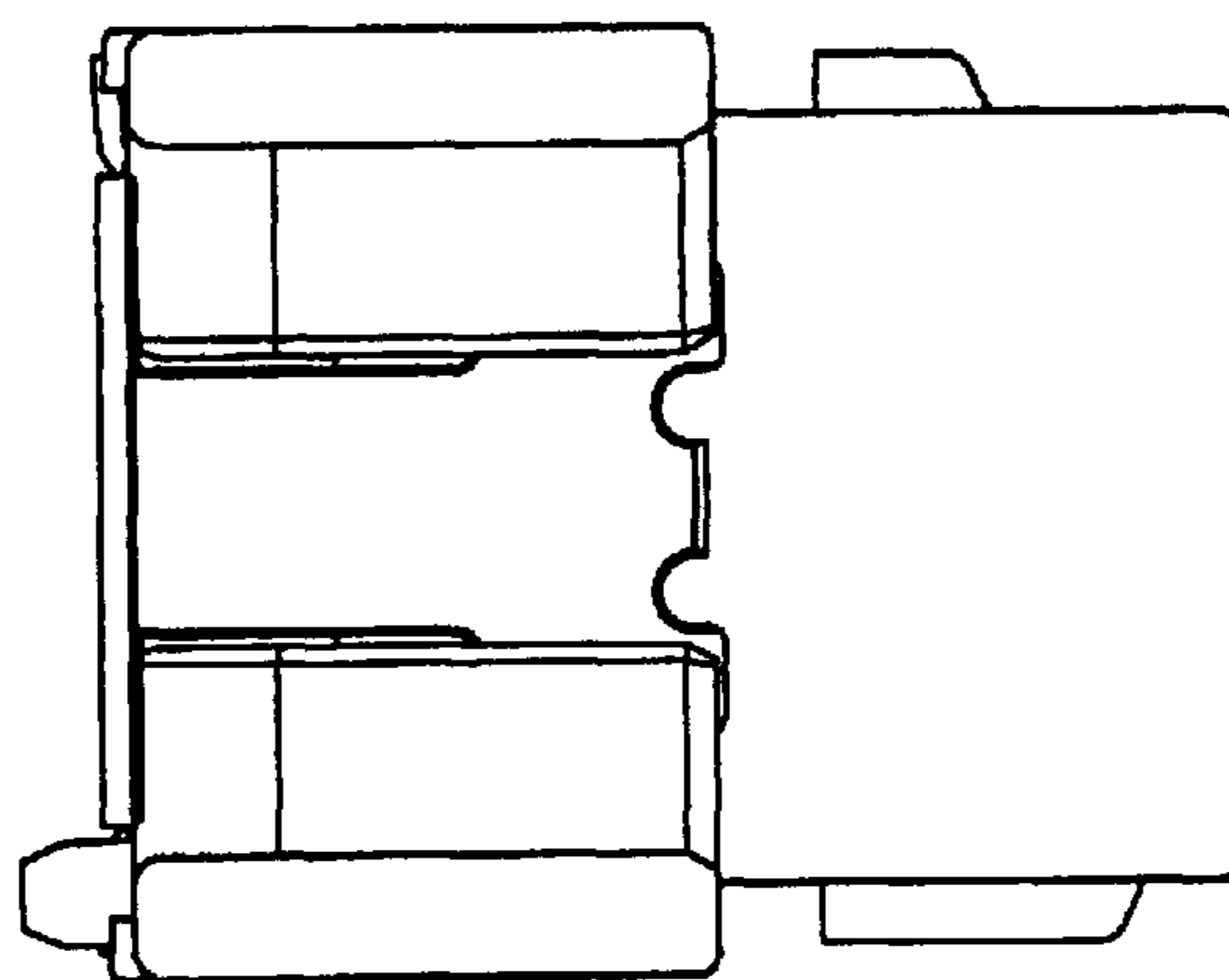


Fig. 7

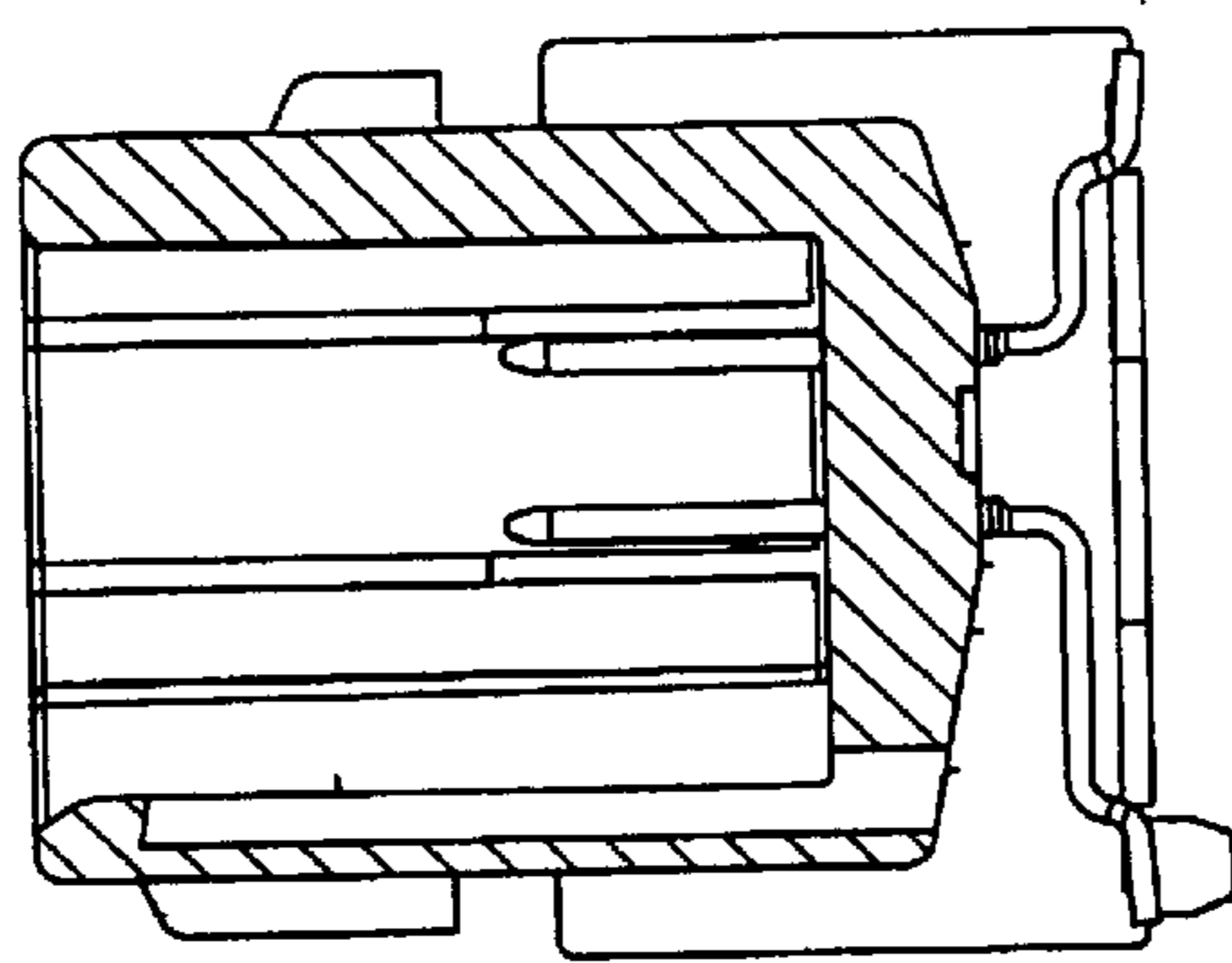


Fig. 8

