

US00D518442S

(12) **United States Design Patent**
Hisamatsu

(10) **Patent No.:** **US D518,442 S**

(45) **Date of Patent:** **** Apr. 4, 2006**

(54) **ELECTRICAL CONNECTOR**

(75) Inventor: **Kazuhito Hisamatsu**, Tokyo (JP)

(73) Assignee: **Japan Aviation Electronics Industry, Limited**, Tokyo (JP)

(**) Term: **14 Years**

(21) Appl. No.: **29/225,938**

(22) Filed: **Mar. 22, 2005**

(30) **Foreign Application Priority Data**

Sep. 22, 2004 (JP) 2004-032070

(51) **LOC (8) Cl.** **13-03**

(52) **U.S. Cl.** **D13/147**

(58) **Field of Classification Search** D13/146,
D13/147, 184, 199; 439/260, 296, 329, 345,
439/378, 395, 422, 495, 499

See application file for complete search history.

(56) **References Cited**

U.S. PATENT DOCUMENTS

D456,777 S	*	5/2002	Igarashi	D13/147
D456,778 S	*	5/2002	Igarashi	D13/147
D456,780 S	*	5/2002	Igarashi	D13/147
D457,138 S	*	5/2002	Igarashi	D13/147

6,478,603 B1	*	11/2002	Wu	439/378
D482,329 S	*	11/2003	Hisamatsu et al.	D13/147
D482,333 S	*	11/2003	Hisamatsu et al.	D13/147
D482,660 S	*	11/2003	Hisamatsu et al.	D13/147
6,648,668 B1	*	11/2003	Ko	439/353
D489,331 S	*	5/2004	Hisamatsu et al.	D13/147
2004/0077218 A1	*	4/2004	Wang	439/638

* cited by examiner

Primary Examiner—Stella Reid

Assistant Examiner—Daniel Bui

(74) *Attorney, Agent, or Firm*—Collard & Roe, PC

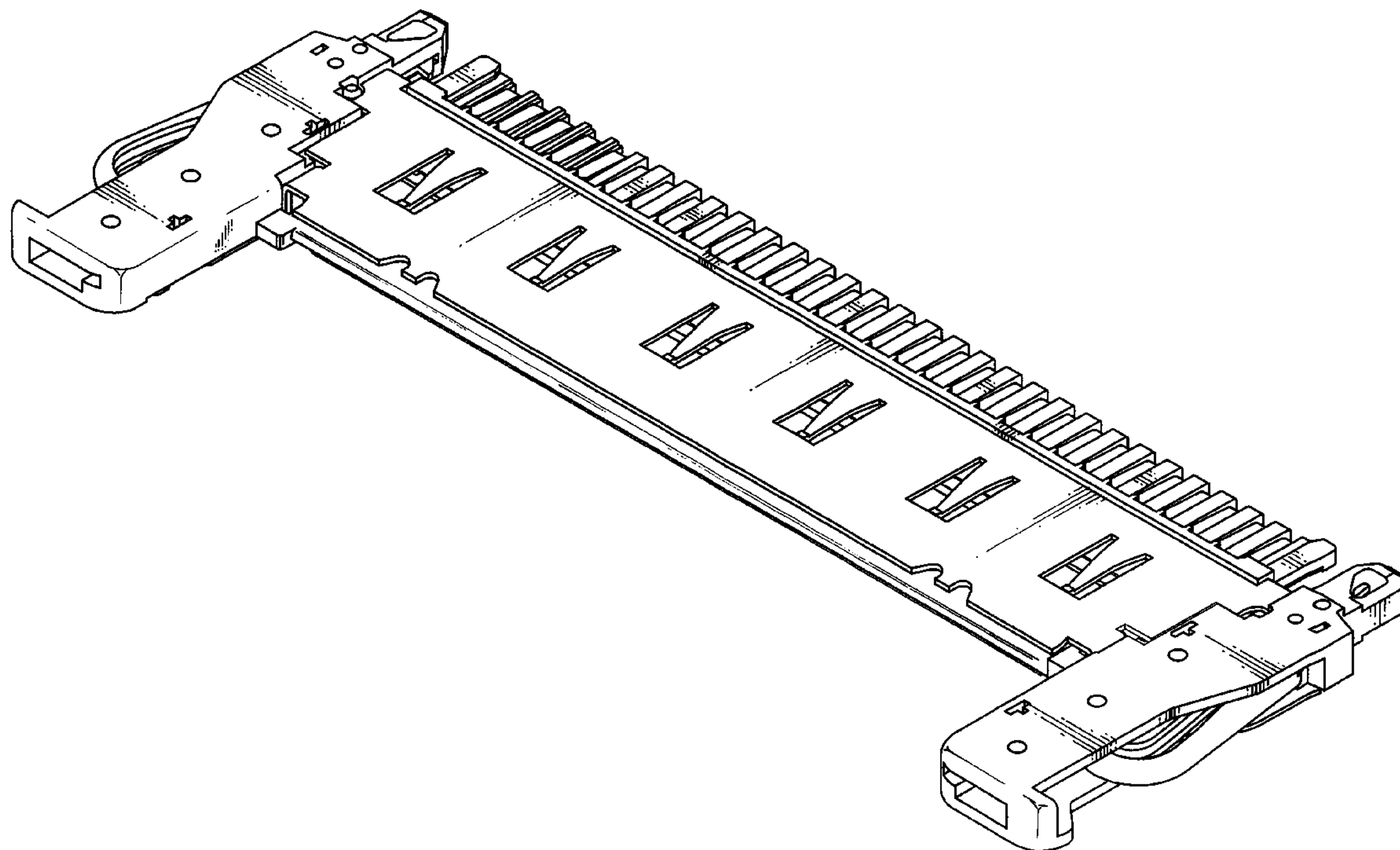
(57) **CLAIM**

The ornamental design for an electrical connector, as shown and described.

DESCRIPTION

FIG. 1 is a front elevational view of an electrical connector showing our new design;
FIG. 2 is a top plan view thereof;
FIG. 3 is a bottom plan view thereof;
FIG. 4 is a rear elevational view thereof;
FIG. 5 is a left side elevational view thereof;
FIG. 6 is a right side elevational view thereof; and,
FIG. 7 is a perspective view of the top, front and right side thereof.

1 Claim, 4 Drawing Sheets



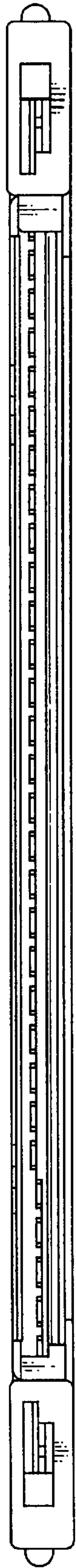


FIG. 1

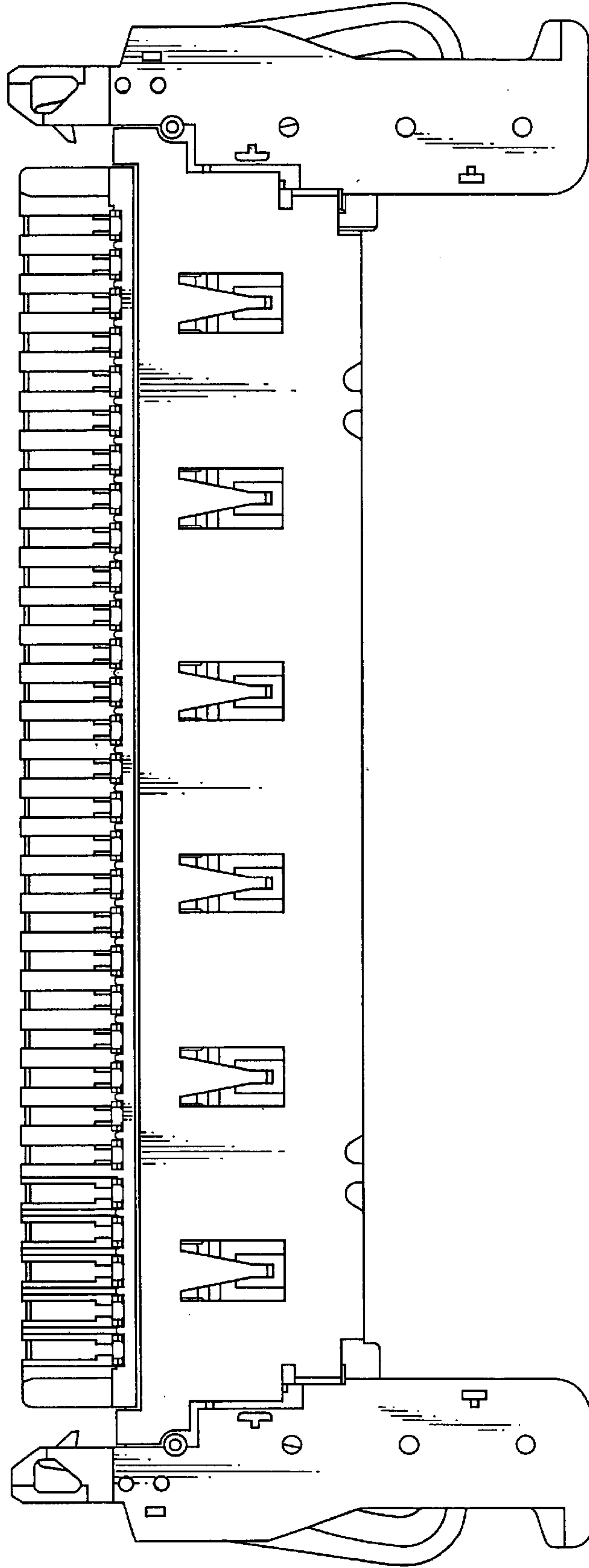


FIG. 2

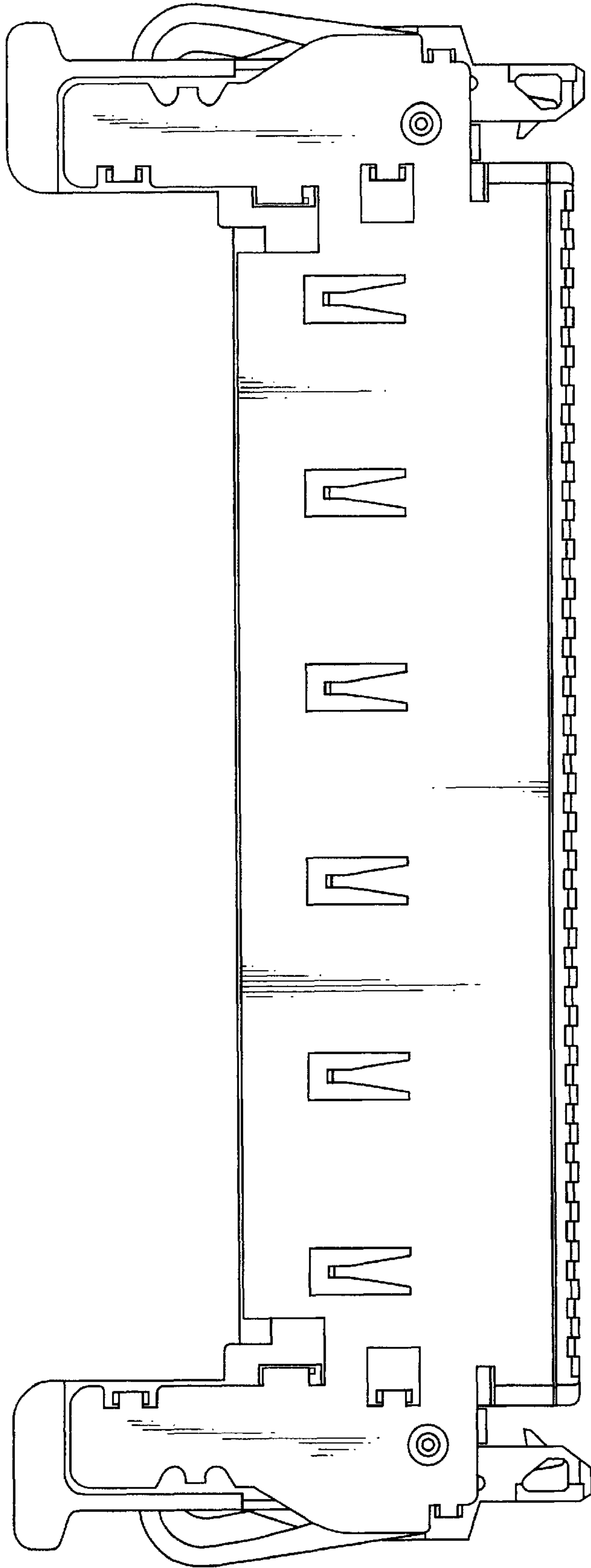


FIG. 3

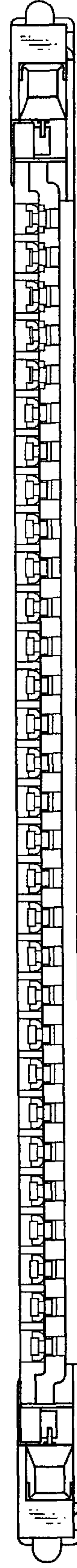


FIG. 4

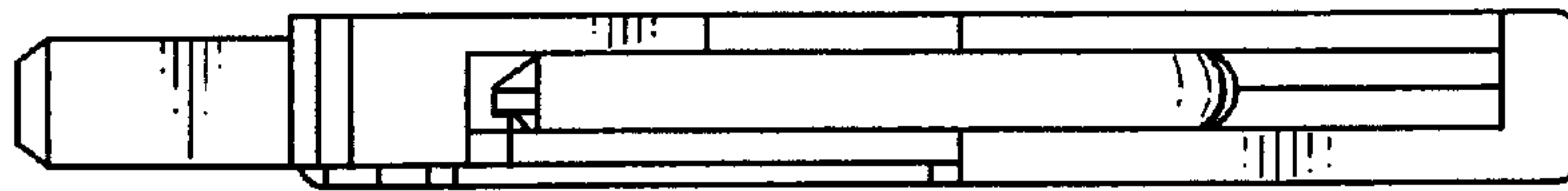


FIG. 5

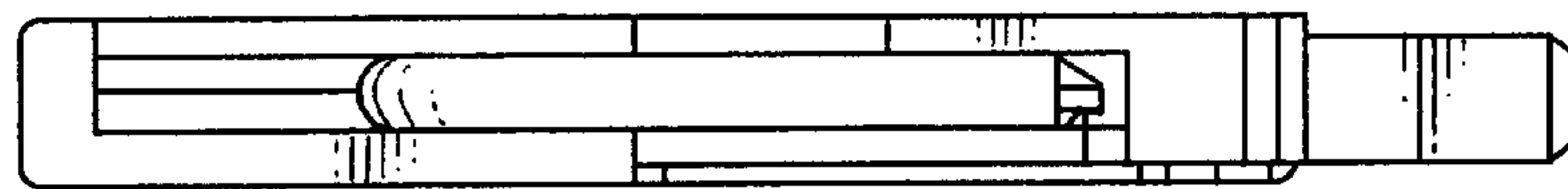


FIG. 6

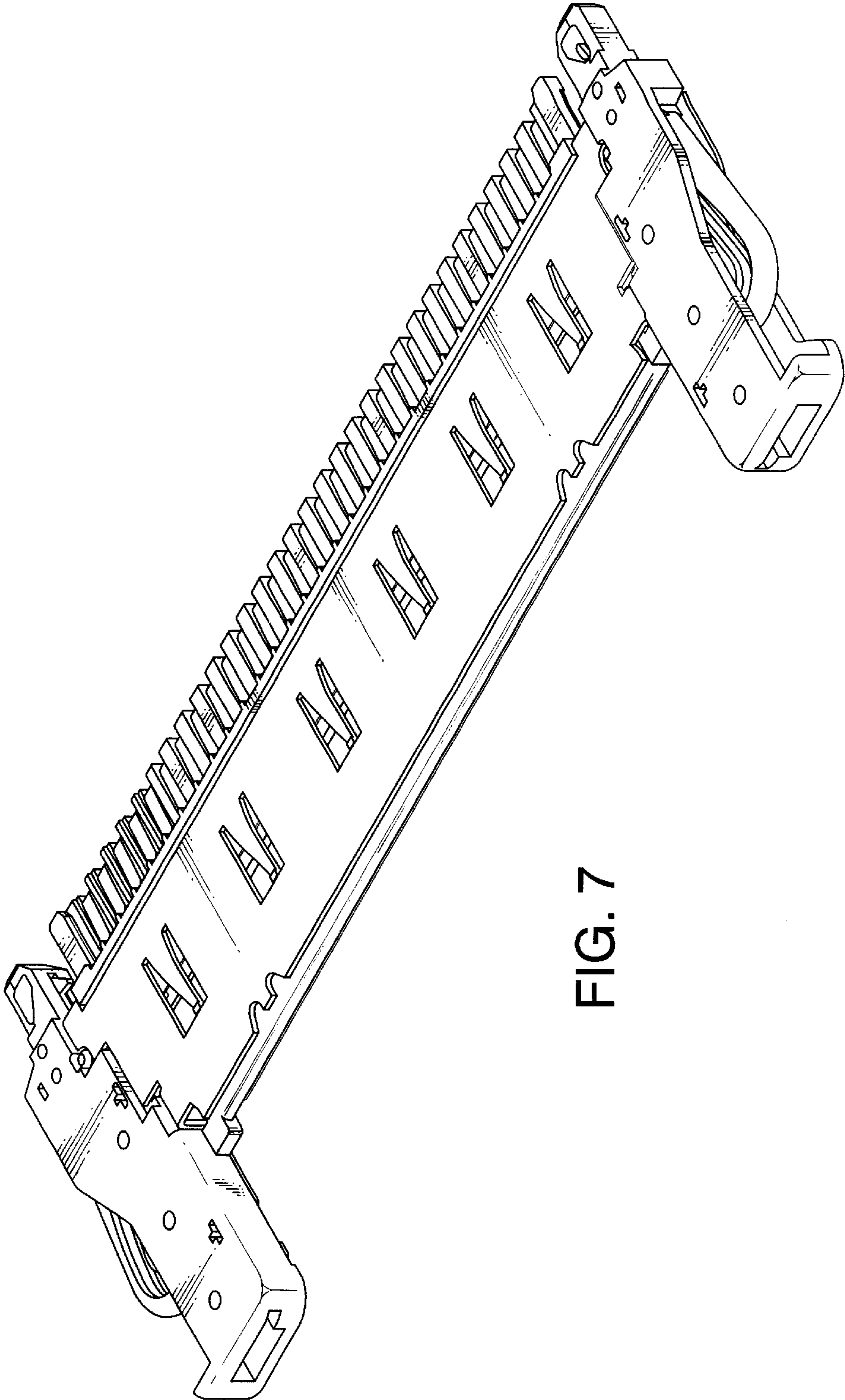


FIG. 7