



US00D518441S

(12) **United States Design Patent**
Nishio et al.

(10) **Patent No.:** **US D518,441 S**

(45) **Date of Patent:** **** Apr. 4, 2006**

(54) **CONNECTOR**

(75) Inventors: **Atsushi Nishio**, Tama (JP); **Yoshinori Ohta**, Tama (JP); **Yasuhiko Shinohara**, Tama (JP)

(73) Assignee: **Mitsumi Electric Co., Ltd.**, Tokyo (JP)

(**) Term: **14 Years**

(21) Appl. No.: **29/223,254**

(22) Filed: **Feb. 14, 2005**

(30) **Foreign Application Priority Data**

Nov. 15, 2004 (JP) 2004-034781

(51) **LOC (8) Cl.** **13-03**

(52) **U.S. Cl.** **D13/147**

(58) **Field of Classification Search** D13/146, D13/147, 184, 199; 439/247-248, 350, 353, 439/357, 489, 557, 567, 587, 595, 680, 750
See application file for complete search history.

(56) **References Cited**

U.S. PATENT DOCUMENTS

3,335,393 A * 8/1967 Anderson 439/427
D318,266 S * 7/1991 Matsuzaki D13/147

D351,137 S * 10/1994 Sato D13/147
5,464,355 A * 11/1995 Rothenberger 439/559
D412,700 S * 8/1999 Gardner et al. D13/147
D422,561 S * 4/2000 Wu et al. D13/147
D434,383 S * 11/2000 Hu et al. D13/147
D435,018 S * 12/2000 Hwang et al. D13/147
D463,374 S * 9/2002 Homma et al. D13/147
D476,956 S * 7/2003 Sukegawa et al. D13/147

* cited by examiner

Primary Examiner—Stella Reid

Assistant Examiner—Daniel Bui

(74) *Attorney, Agent, or Firm*—Sughrue Mion, PLLC

(57) **CLAIM**

The ornamental design for a connector, as shown.

DESCRIPTION

FIG. 1 is a perspective view of the top, front, and right side of a connector showing our new design; FIG. 2 is a front elevational view thereof; FIG. 3 is a rear elevational view thereof; FIG. 4 is a right side elevational view thereof; FIG. 5 is a left side elevational view thereof; FIG. 6 is a top plan view thereof; and, FIG. 7 is a bottom plan view thereof.

1 Claim, 4 Drawing Sheets

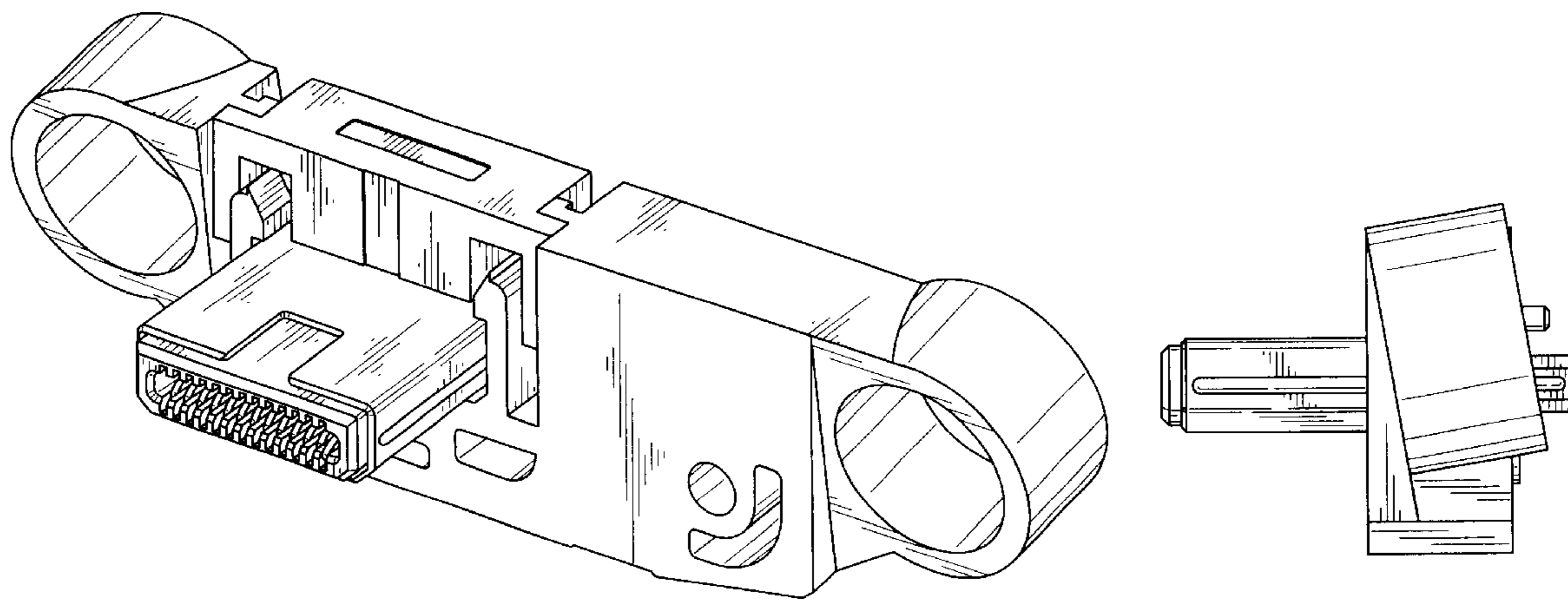


FIG. 1

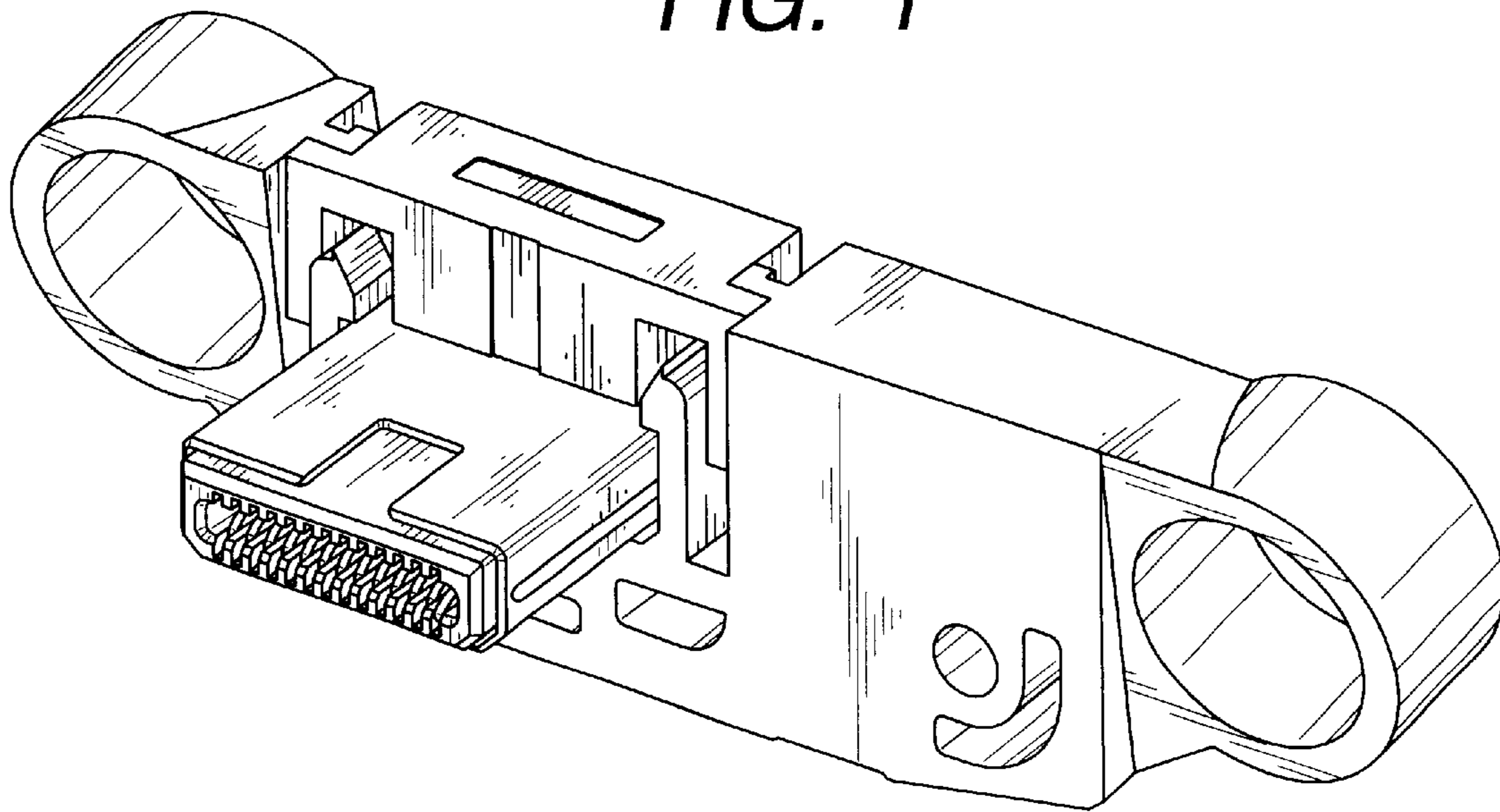


FIG. 2

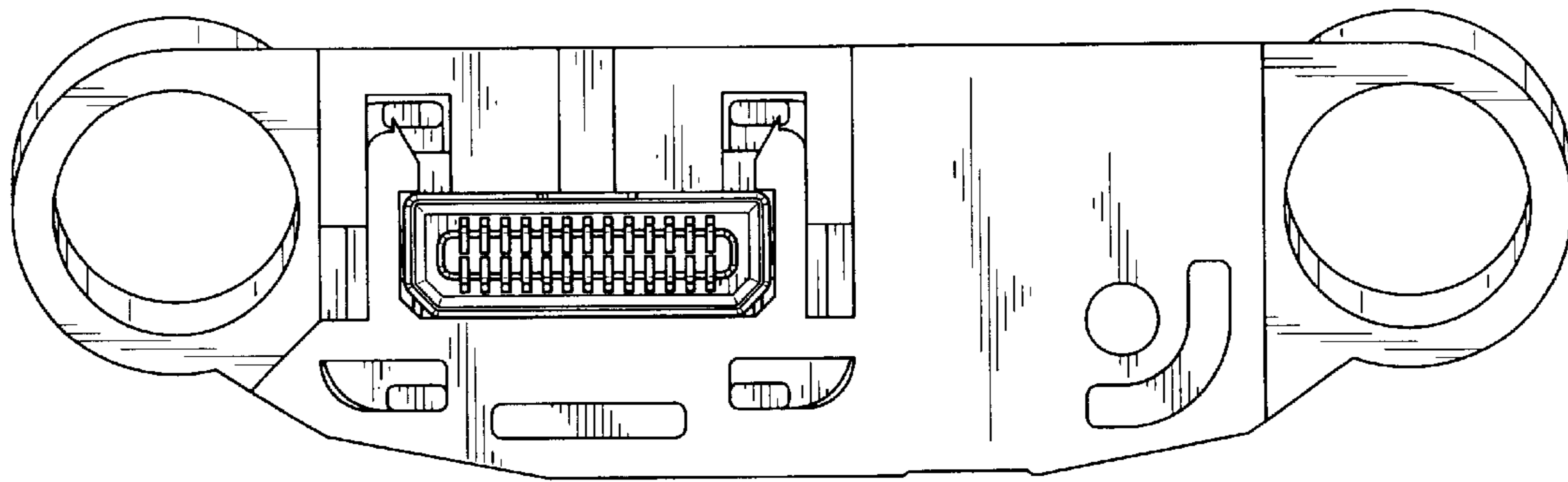


FIG. 3

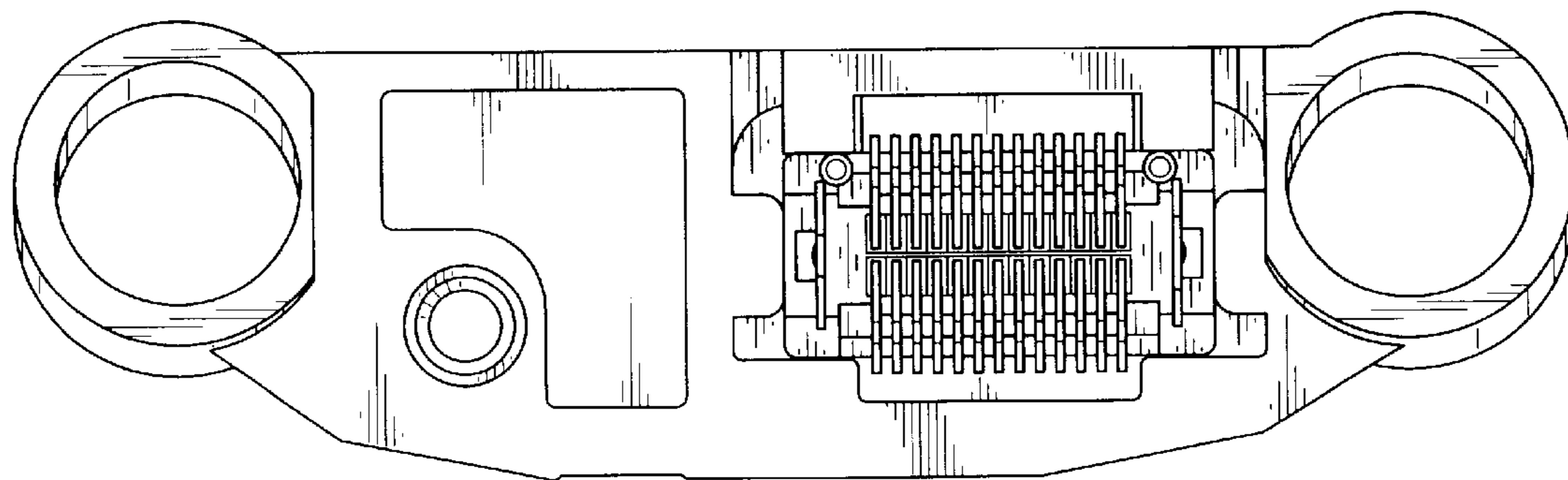


FIG. 4

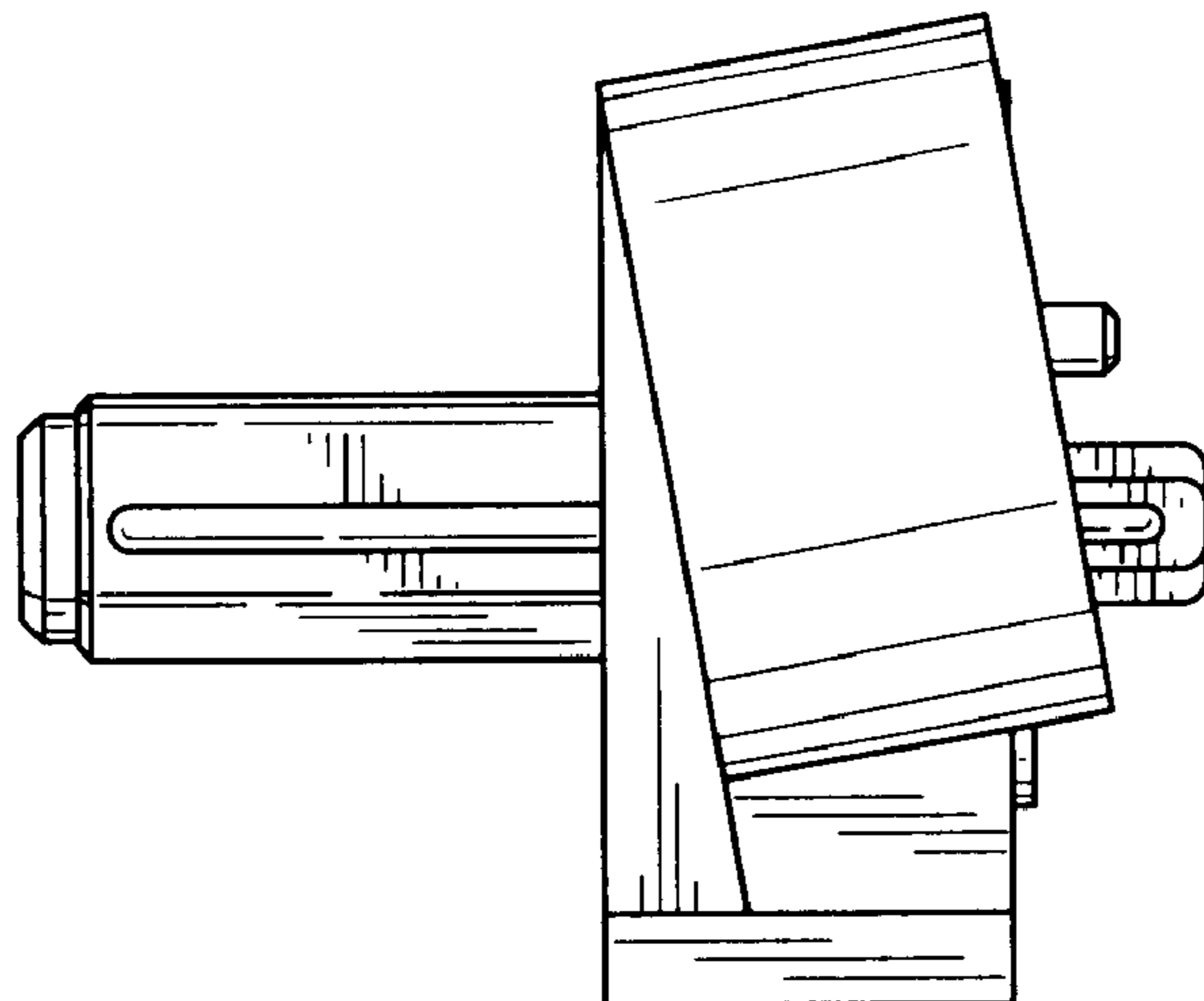


FIG. 5

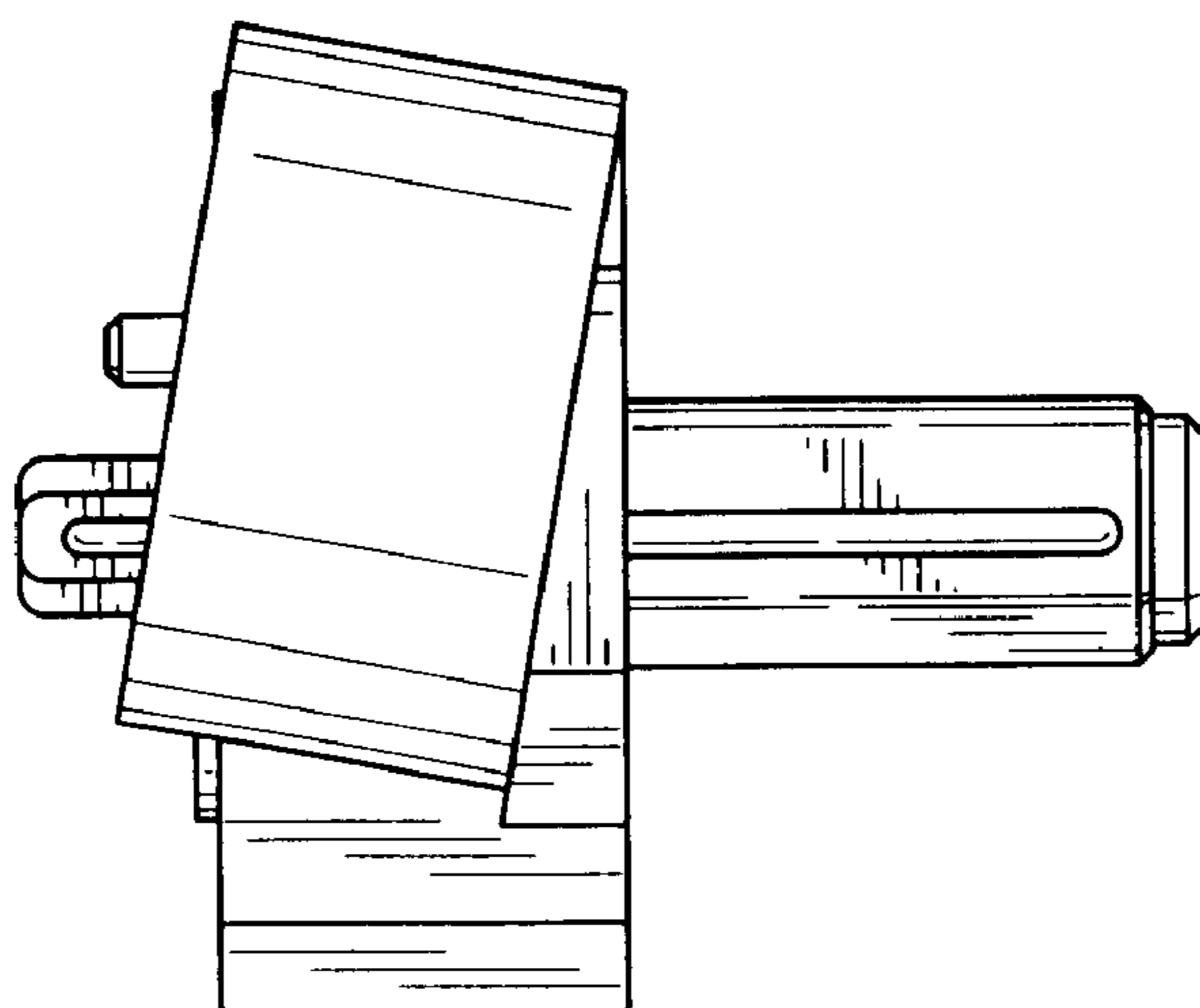


FIG. 6

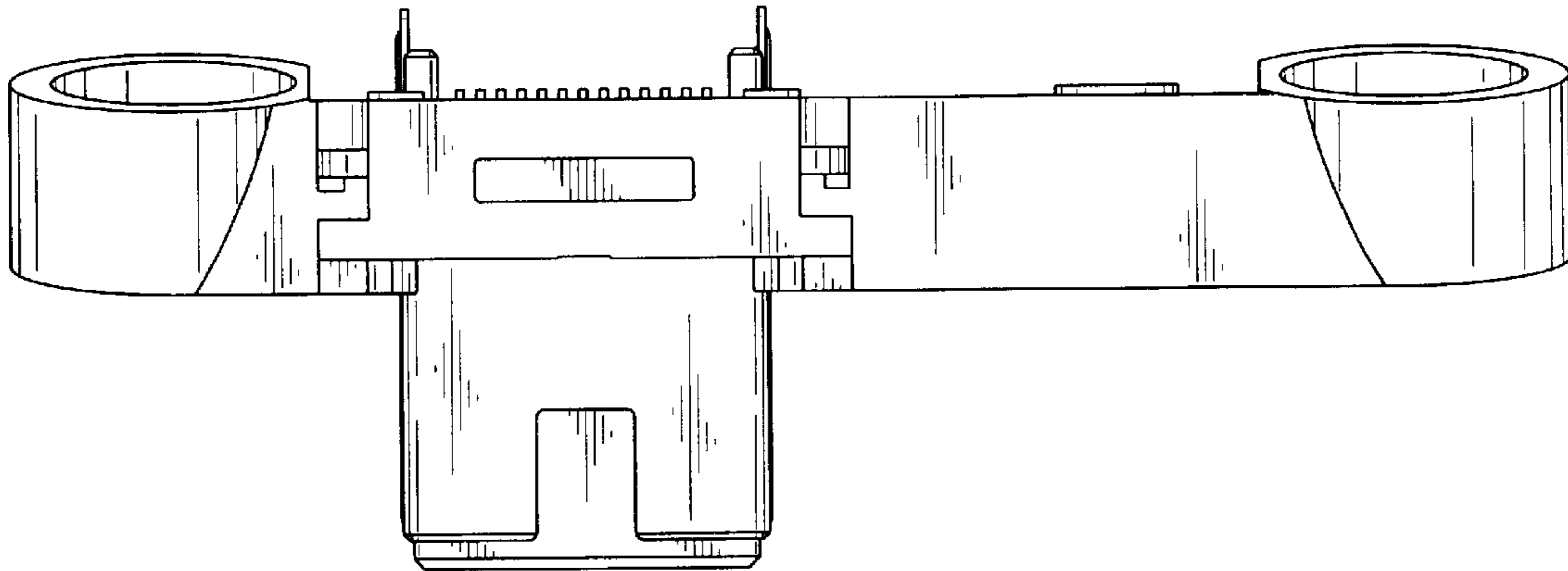


FIG. 7

