



US00D518440S

(12) **United States Design Patent**
Chang

(10) **Patent No.:** **US D518,440 S**

(45) **Date of Patent:** **** Apr. 4, 2006**

(54) **TERMINAL HOLDER FOR REDUCED CROSSTALK CONNECTOR**

(75) Inventor: **Ray Chang**, Hsichih (TW)

(73) Assignee: **Telebox Industries Corp.**, Taipei Hsien (TW)

(**) Term: **14 Years**

(21) Appl. No.: **29/219,686**

(22) Filed: **Dec. 22, 2004**

(51) **LOC (8) Cl.** **13-03**

(52) **U.S. Cl.** **D13/147**

(58) **Field of Classification Search** D13/133,
D13/146, 147, 154, 184, 199; 439/67, 260,
439/262, 267, 329, 637

See application file for complete search history.

(56) **References Cited**

U.S. PATENT DOCUMENTS

D324,033	S	*	2/1992	Kuzuno et al.	D13/147
5,338,231	A	*	8/1994	Wilhite	439/660
D425,869	S	*	5/2000	Yokomizo et al.	D13/147
6,099,356	A	*	8/2000	Hwang	439/660
6,217,396	B1	*	4/2001	Hwang et al.	439/862
6,406,325	B1	*	6/2002	Chen	439/418
D486,448	S	*	2/2004	Watanabe et al.	D13/120
6,875,033	B1	*	4/2005	Sato et al.	439/159

* cited by examiner

Primary Examiner—Stella Reid

Assistant Examiner—Daniel Bui

(74) *Attorney, Agent, or Firm*—Troxell Law Office, PLLC

(57) **CLAIM**

The ornamental design for terminal holder for reduced crosstalk connector, as shown and described.

DESCRIPTION

FIG. 1 is a perspective view of a terminal holder for reduced crosstalk connector showing my new design;

FIG. 2 is a front elevational view thereof;

FIG. 3 is a rear elevational view thereof;

FIG. 4 is a top plan view thereof;

FIG. 5 is a bottom plan view thereof;

FIG. 6 is a right side elevational view thereof; the opposite side being a mirror image of that shown;

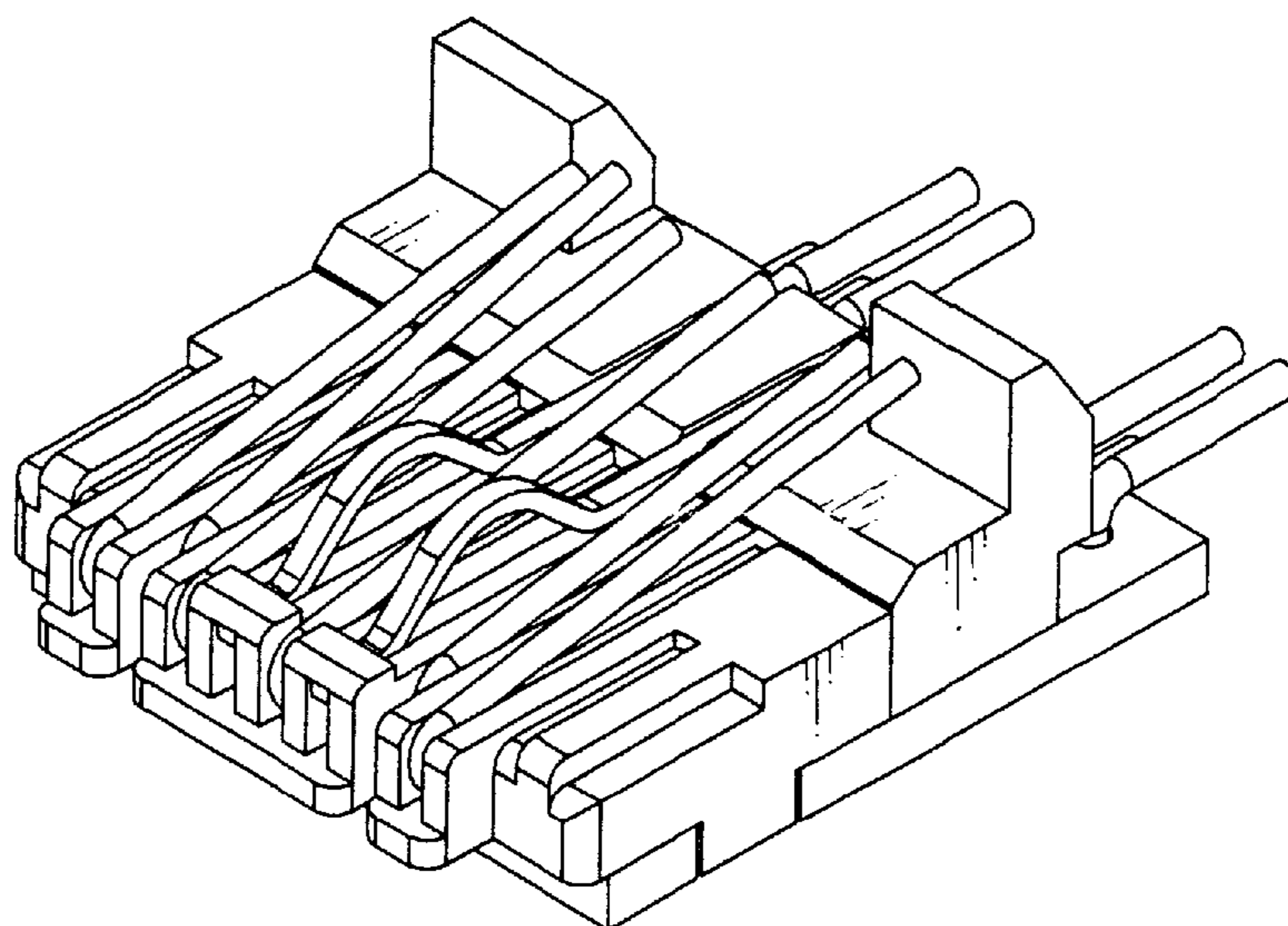
FIG. 7 is a perspective view thereof, in installed condition at 45 degrees;

FIG. 8 is a perspective view thereof, in installed condition at 90 degrees; and,

FIG. 9 is a perspective view thereof, in installed condition at 180 degrees.

The broken line showing of the environment is for illustrative purposes only and forms no part of the claimed design.

1 Claim, 9 Drawing Sheets



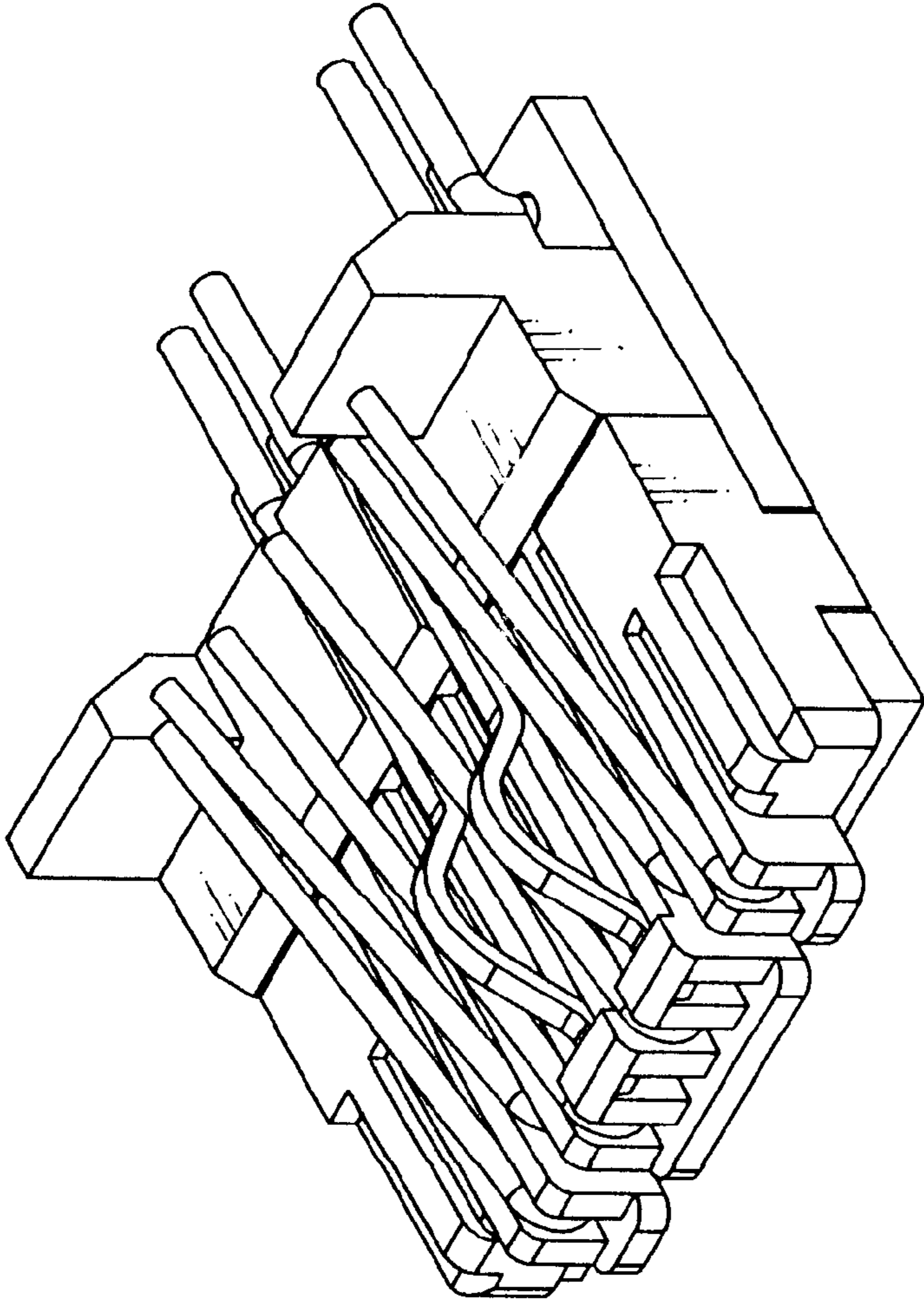


Fig. 1

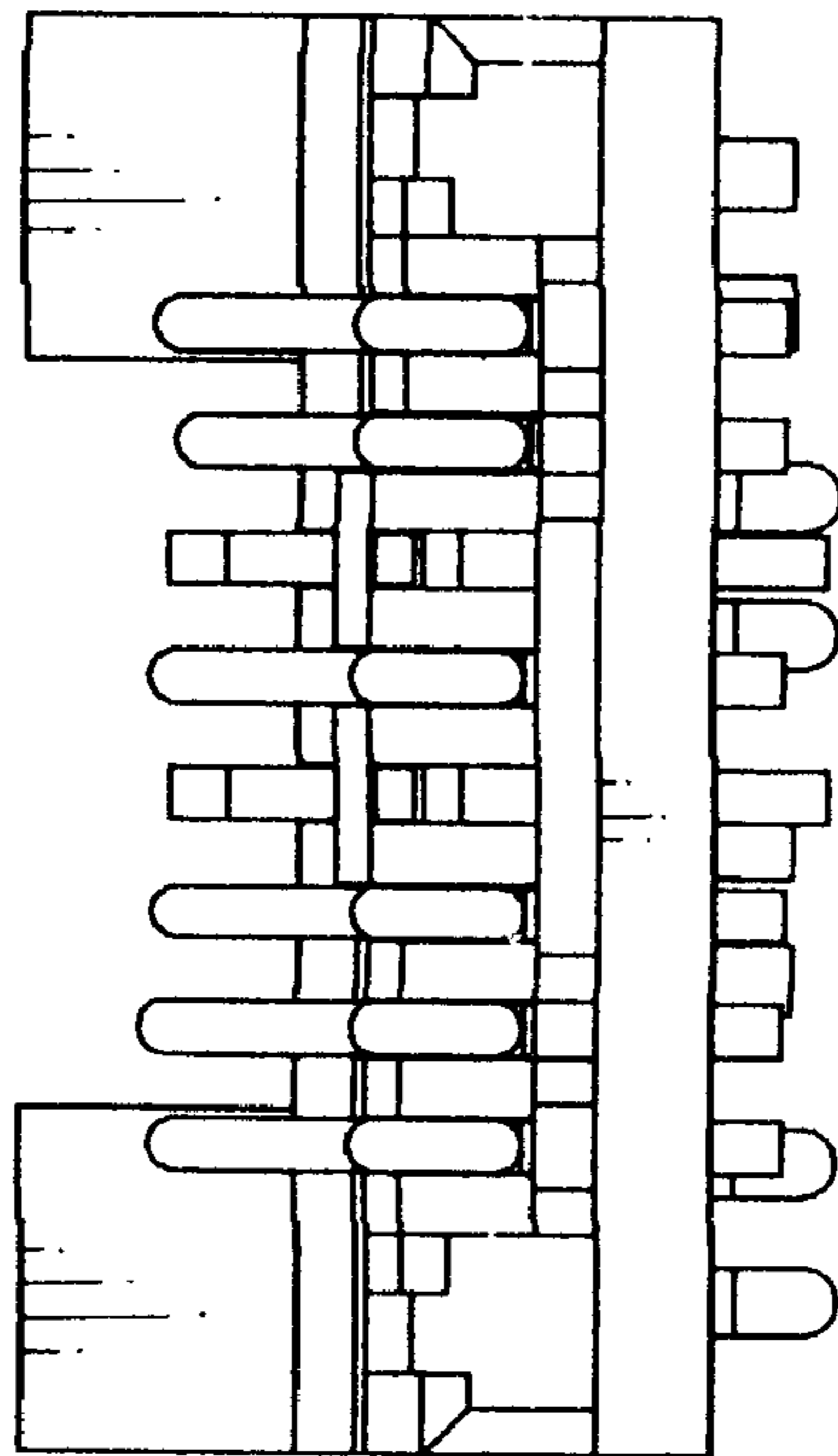


Fig. 2

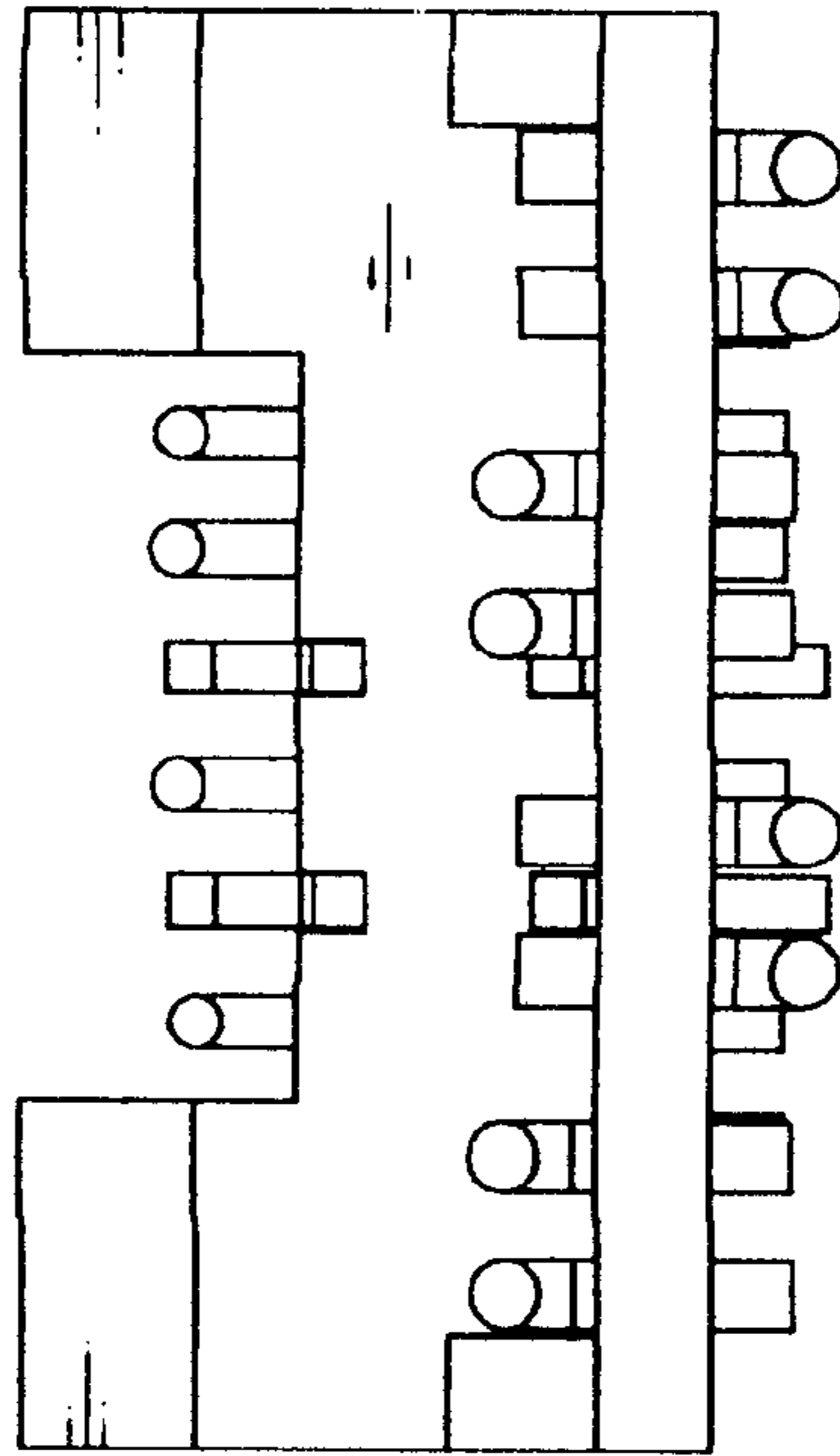


Fig. 3

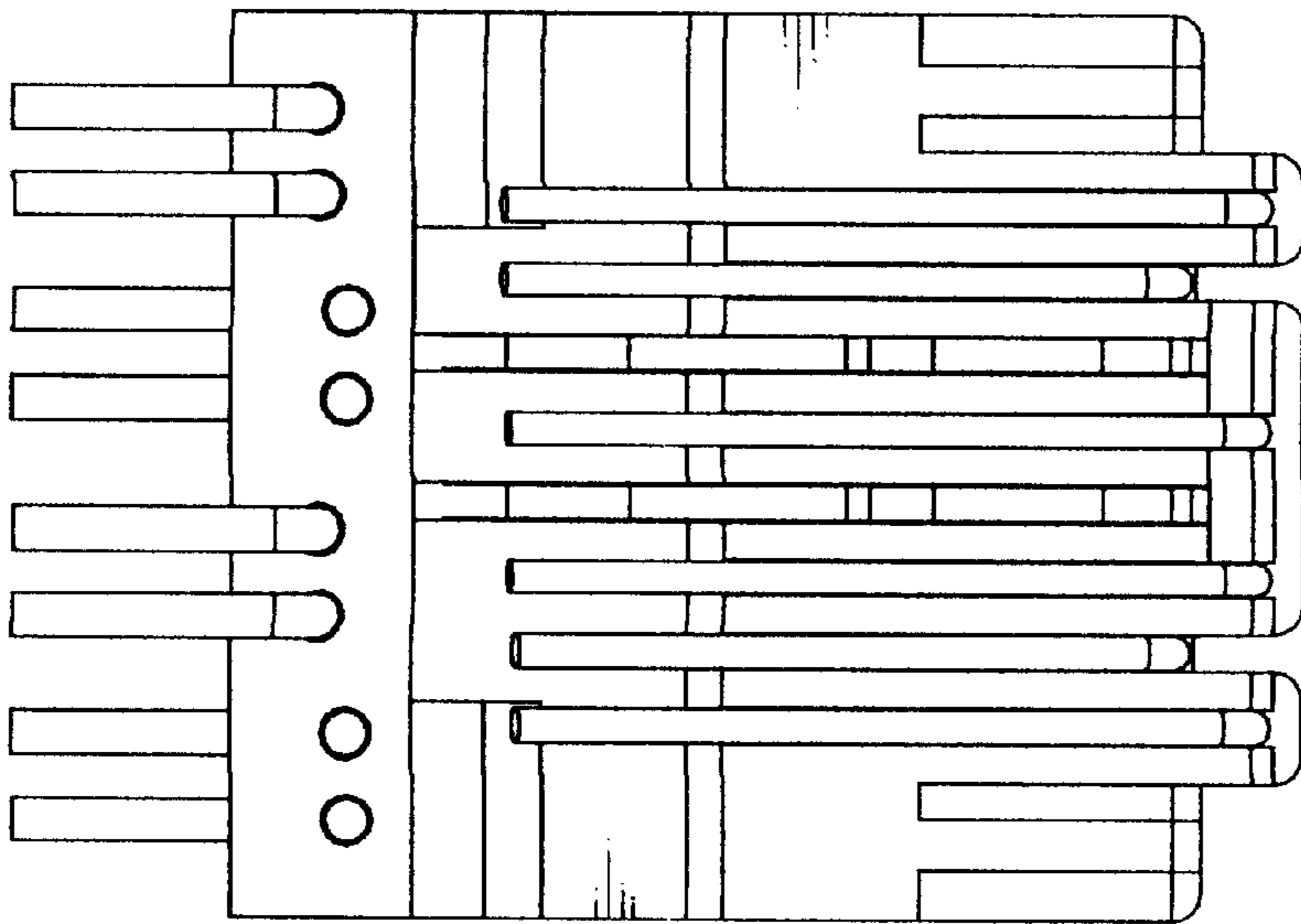


Fig. 4

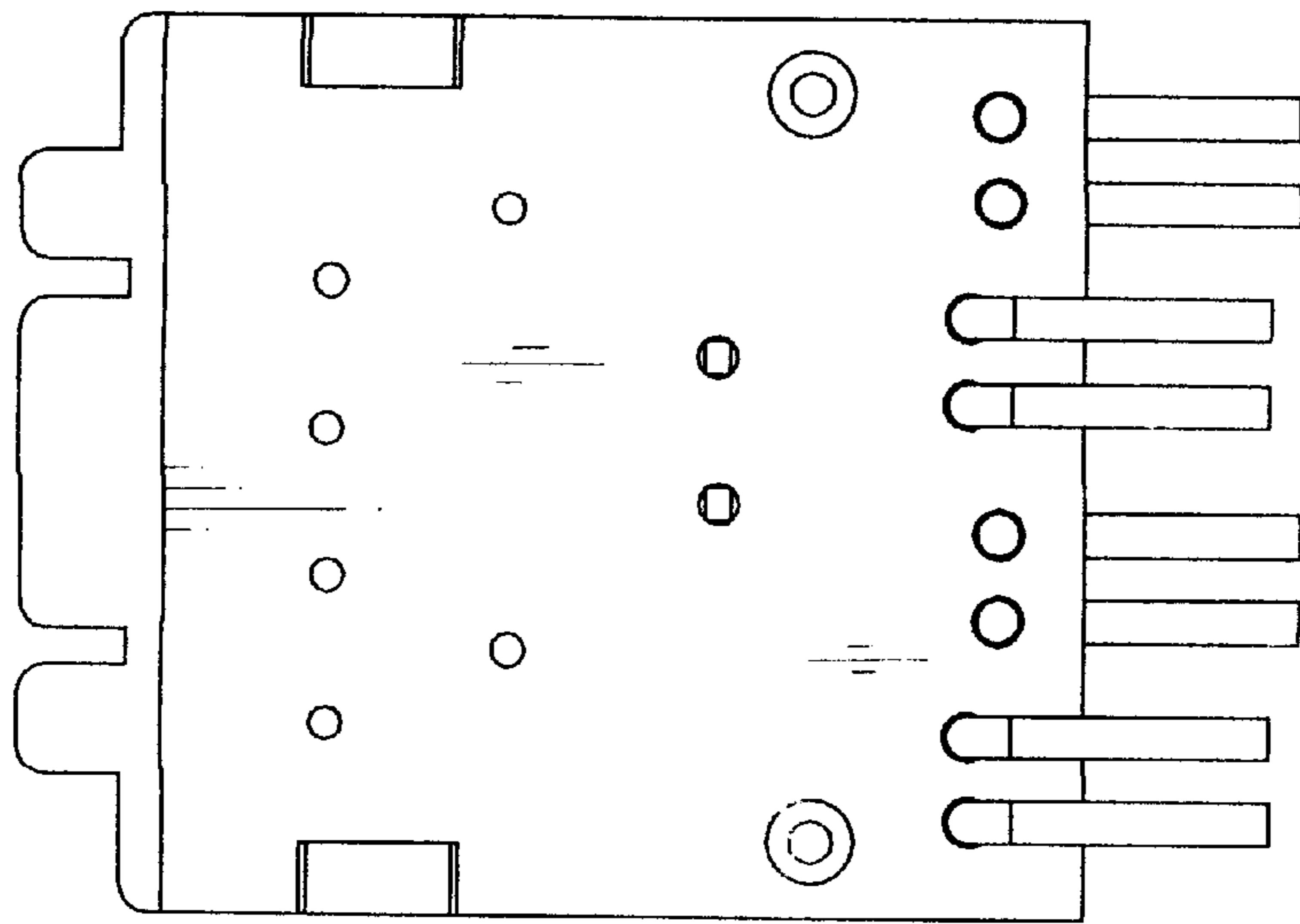


Fig. 5

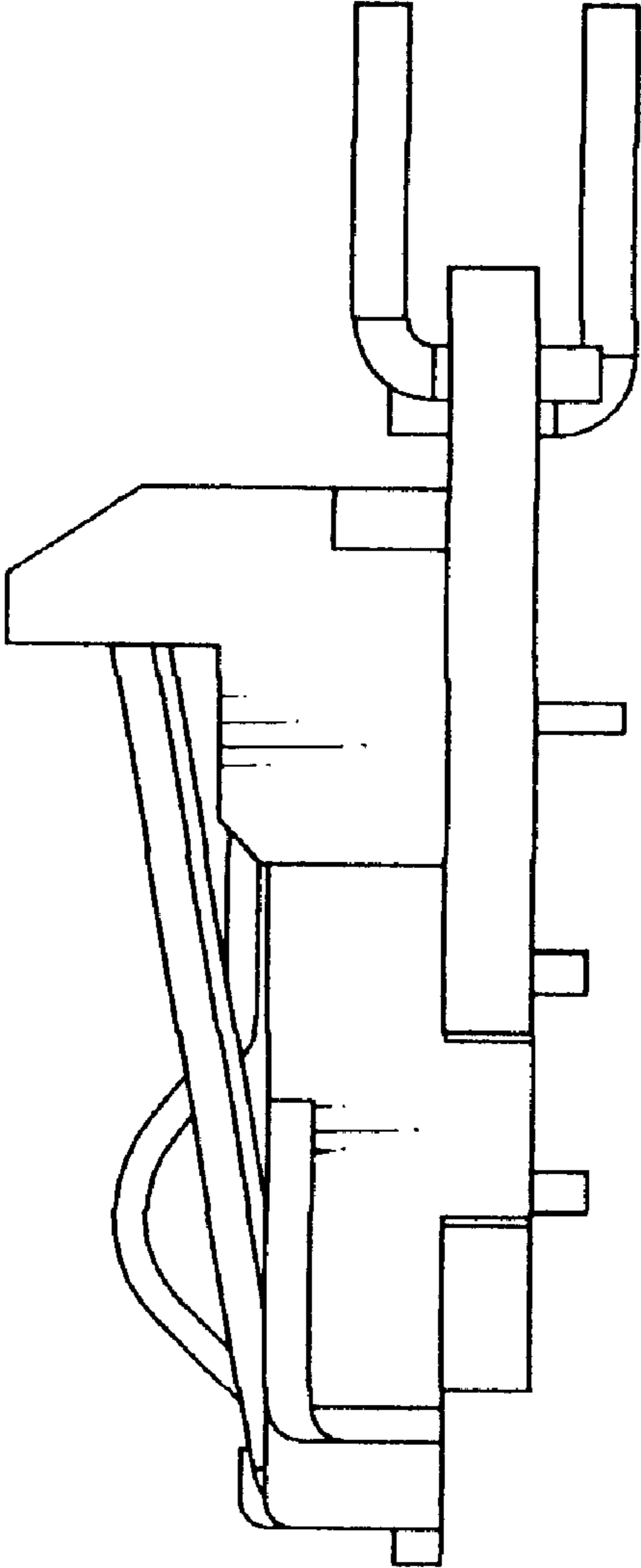


Fig. 6

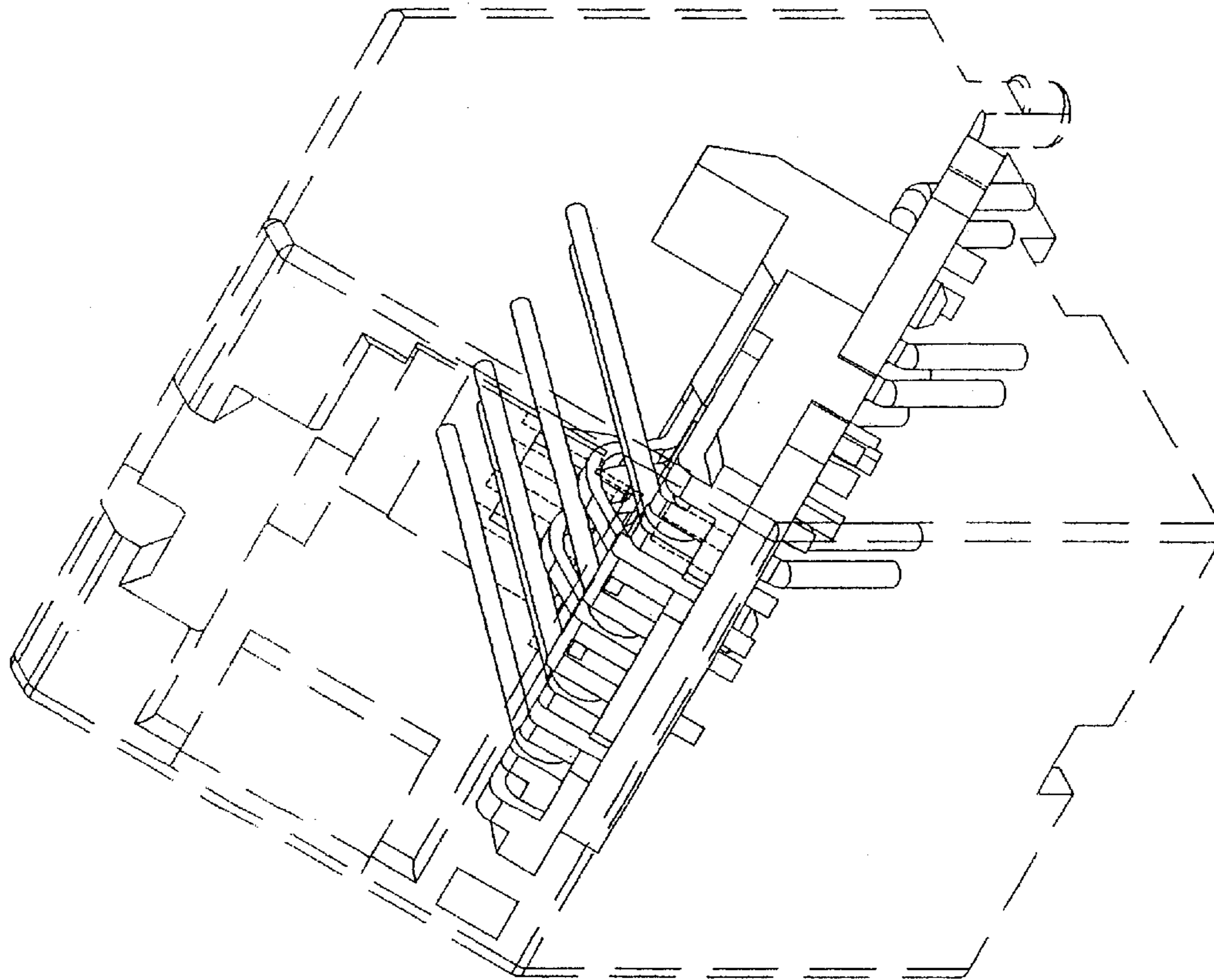


Fig. 7

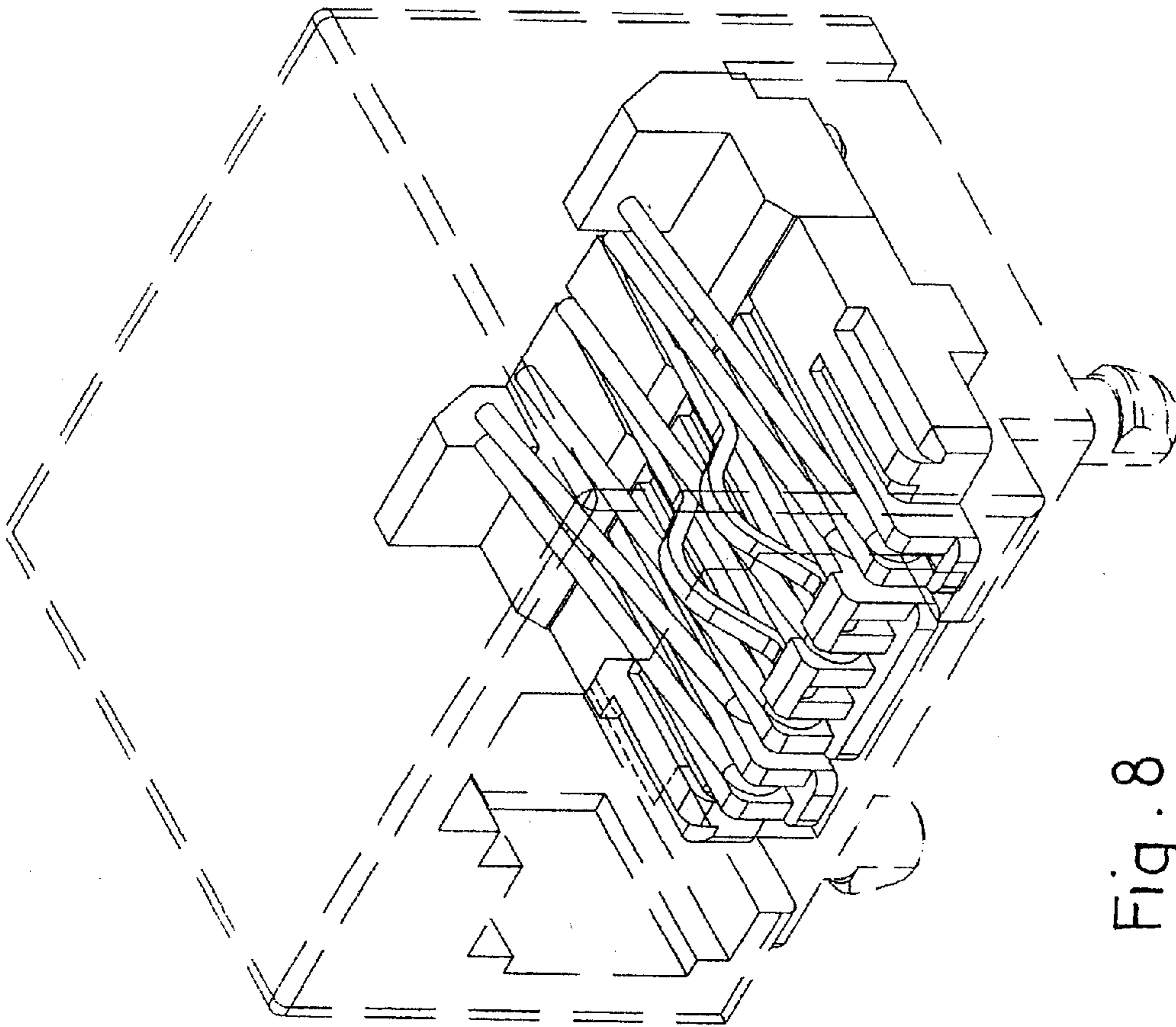


Fig. 8

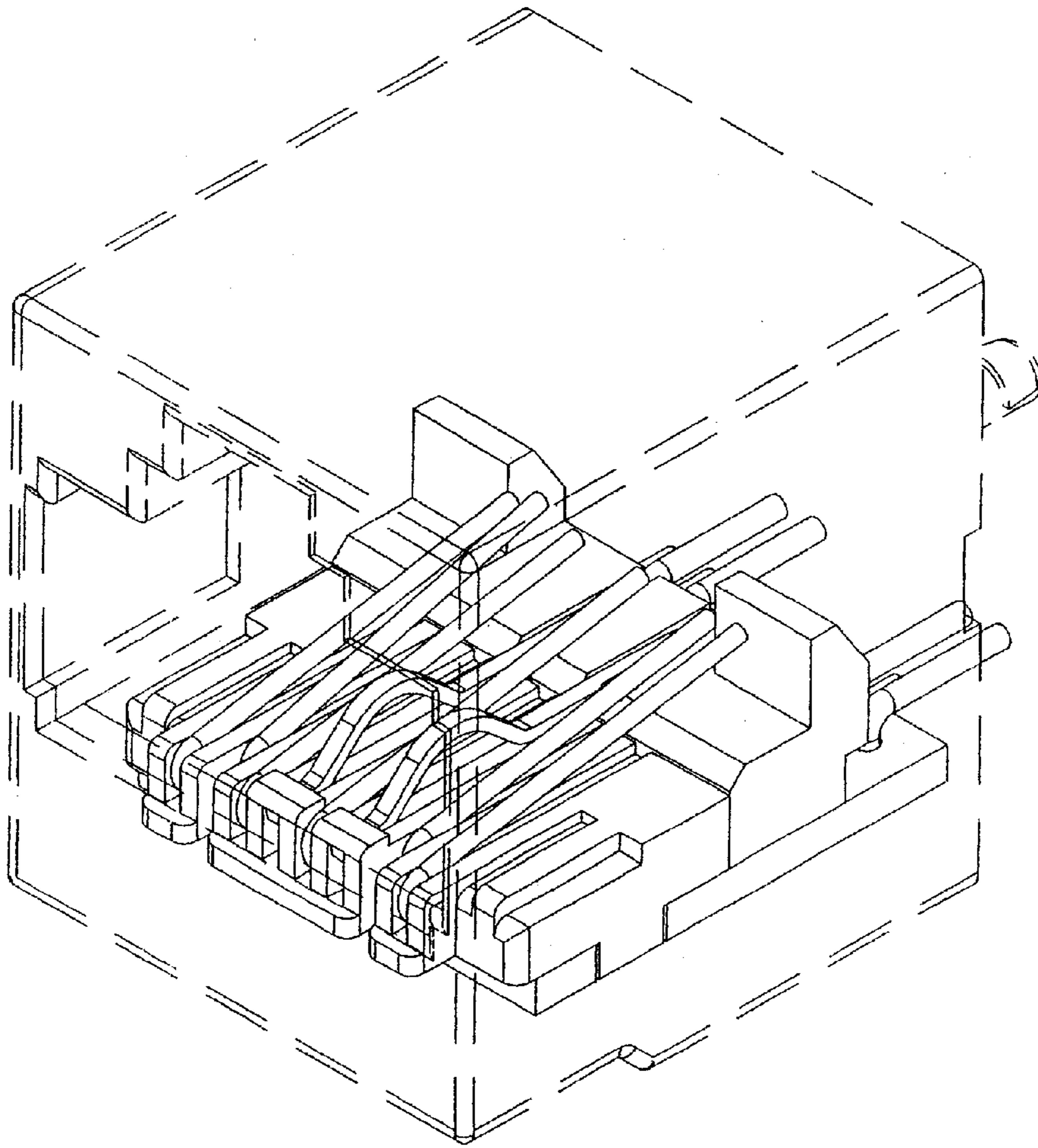


Fig. 9