

US00D518438S

(12) **United States Design Patent** (10) **Patent No.:** **US D518,438 S**
Riku (45) **Date of Patent:** **** Apr. 4, 2006**

(54) **ELECTRICAL CONNECTOR**

(75) Inventor: **Kazuya Riku**, Tokyo (JP)

(73) Assignee: **Tyco Electronics AMP K.K.**, Kanagawa-ken (JP)

(*) Notice: This patent is subject to a terminal disclaimer.

(**) Term: **14 Years**

(21) Appl. No.: **29/219,185**

(22) Filed: **Dec. 13, 2004**

(30) **Foreign Application Priority Data**

Jun. 15, 2004 (JP) 2004-017866

(51) **LOC (8) Cl.** **13-03**

(52) **U.S. Cl.** **D13/147**

(58) **Field of Classification Search** D13/133, D13/184, 154, 199, 146-147; 439/79, 101, 439/108, 344, 350, 352, 447, 557, 571, 573, 439/540.1, 541.5, 607-608, 825
See application file for complete search history.

(56) **References Cited**

U.S. PATENT DOCUMENTS

- 5,024,609 A * 6/1991 Piorunneck 439/637
- 5,630,720 A * 5/1997 Kocher 439/78
- 5,755,595 A * 5/1998 Davis et al. 439/607

- D407,070 S * 3/1999 Chang D13/147
- D418,480 S * 1/2000 Yeh D13/147
- 6,149,468 A * 11/2000 Meng 439/637
- 6,210,240 B1 * 4/2001 Comerci et al. 439/853
- D446,774 S * 8/2001 Zhu et al. D14/147
- 6,319,075 B1 11/2001 Clark et al.
- 6,331,122 B1 * 12/2001 Wu 439/567
- D453,735 S * 2/2002 Yoneyama et al. D13/147
- D455,127 S * 4/2002 Wu D13/147

* cited by examiner

Primary Examiner—Stella Reid

Assistant Examiner—Daniel Bui

(74) *Attorney, Agent, or Firm*—Barley Snyder LLC

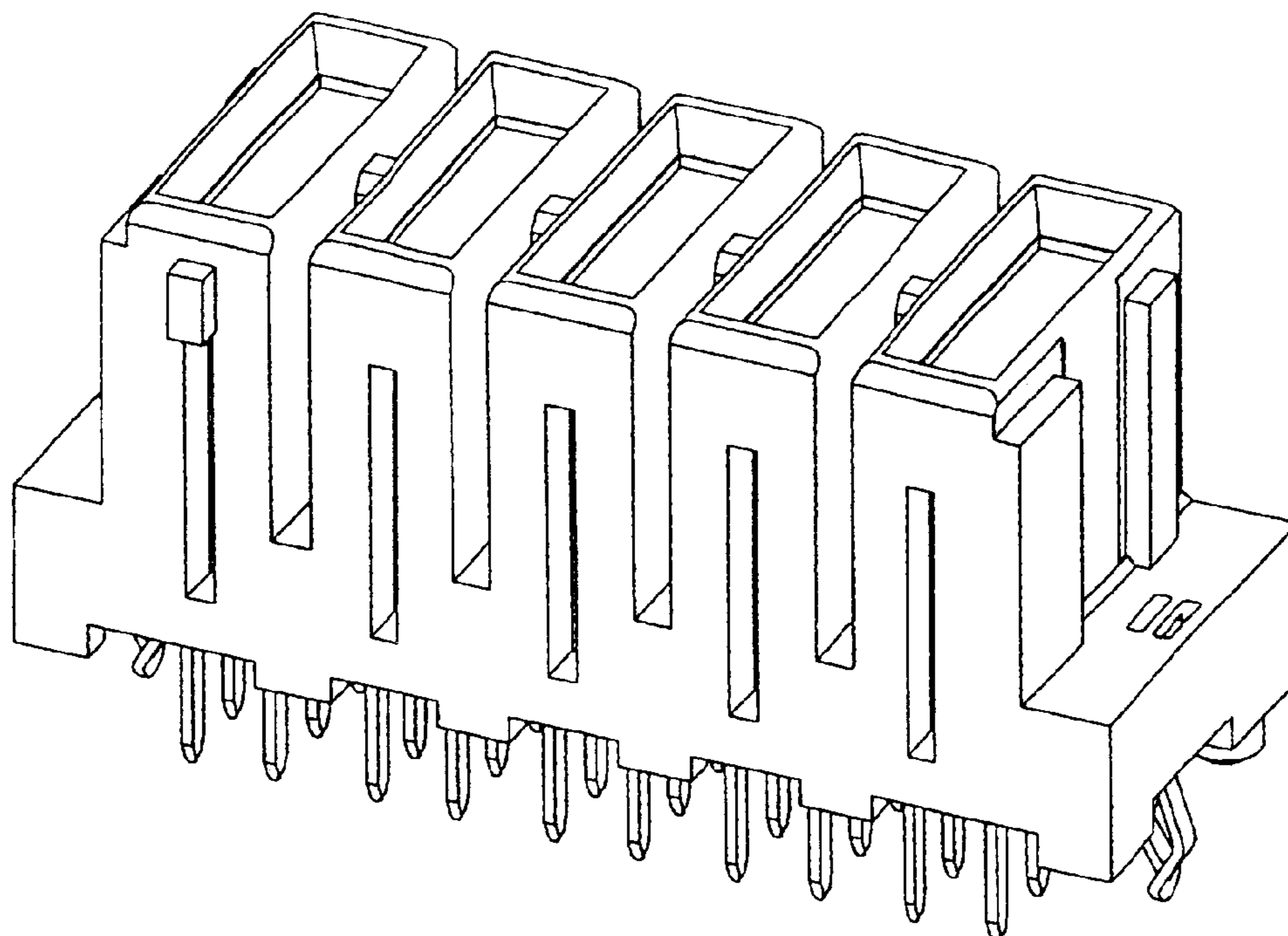
(57) **CLAIM**

The ornamental design for an electrical connector, as shown and described.

DESCRIPTION

FIG. 1 is a front elevation view of an electrical connector, showing my new design;
FIG. 2 is a top plan view thereof;
FIG. 3 is a bottom plan view thereof;
FIG. 4 is a right side elevation view thereof;
FIG. 5 is a left side elevation view thereof;
FIG. 6 is a rear elevation view thereof;
FIG. 7 is a cross sectional view thereof; taken along the line 7—7 in FIG. 1; and,
FIG. 8 is a top, front and right side perspective view thereof.

1 Claim, 8 Drawing Sheets



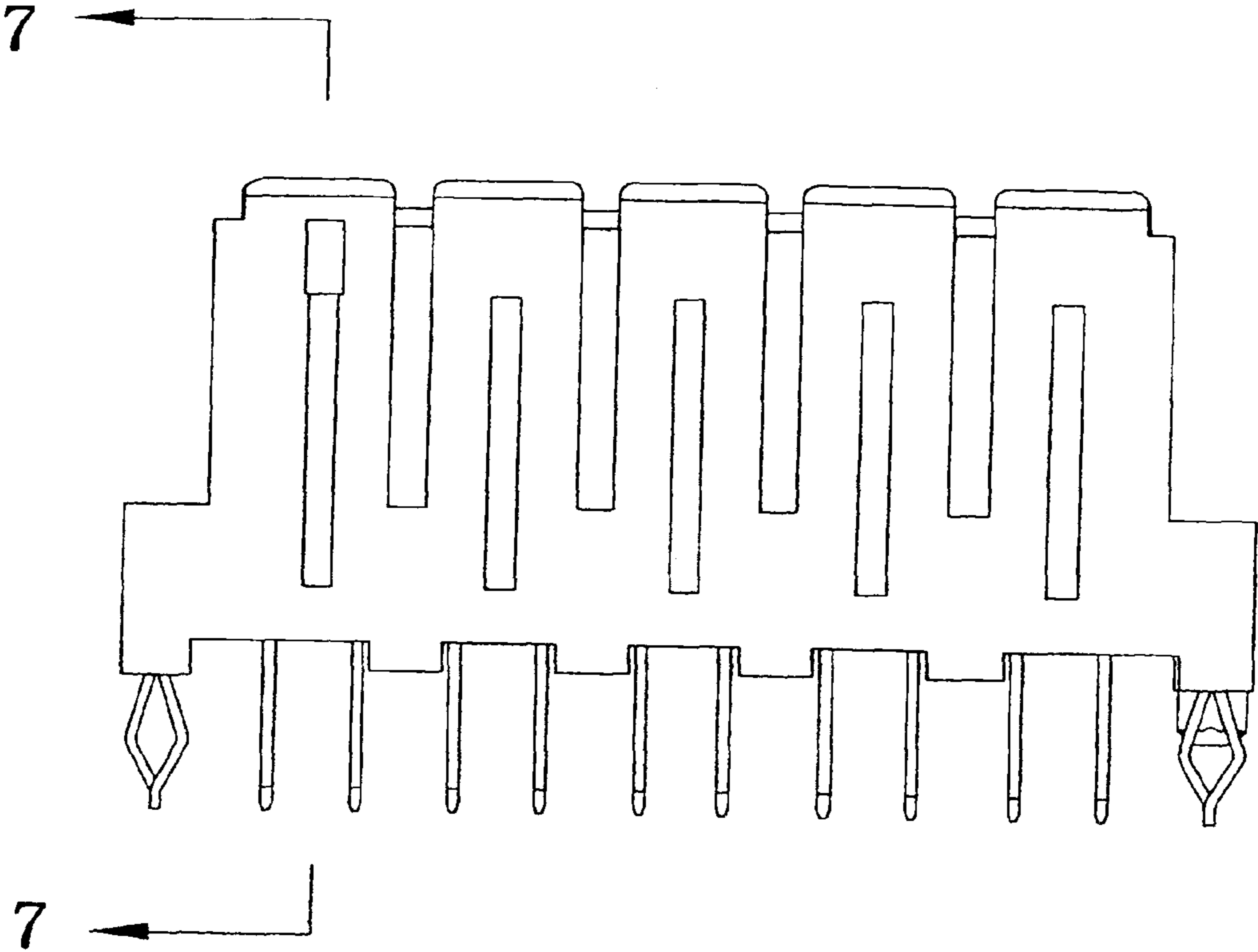


FIG. 1

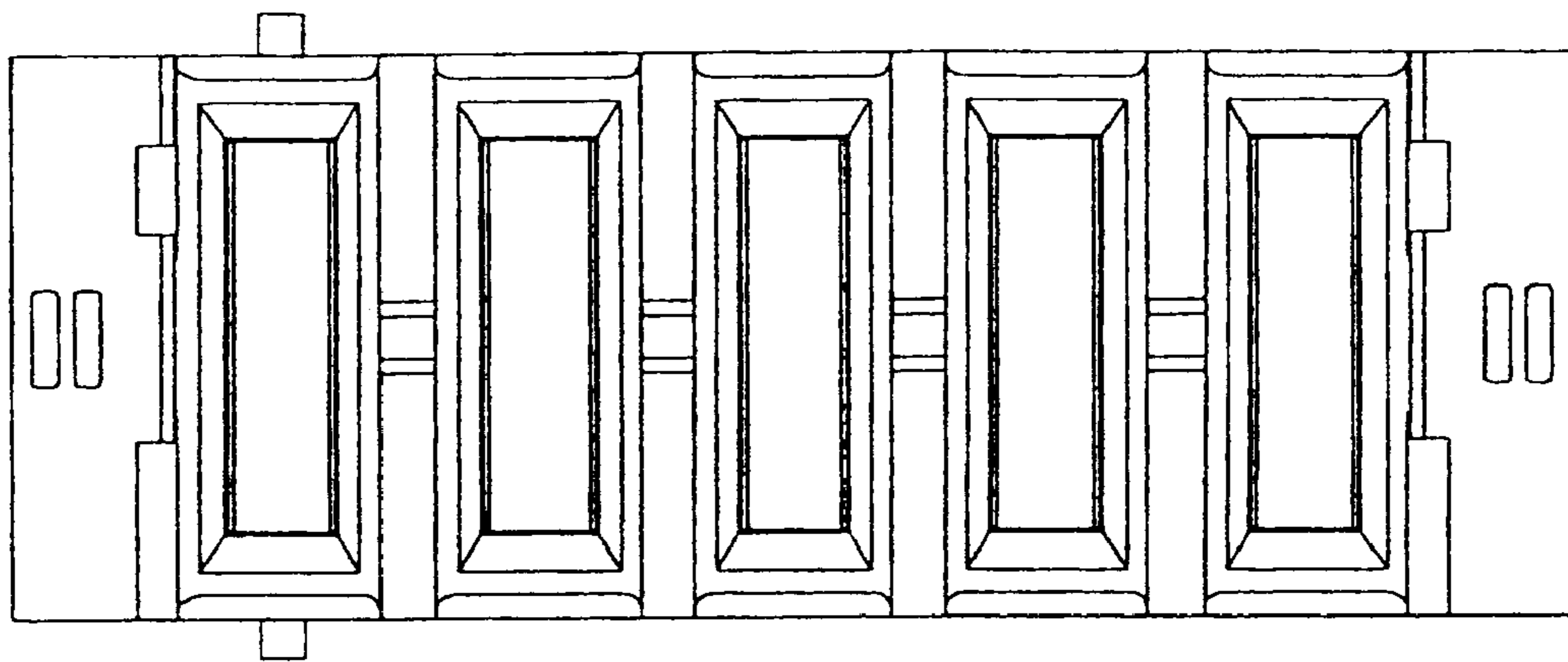


FIG. 2

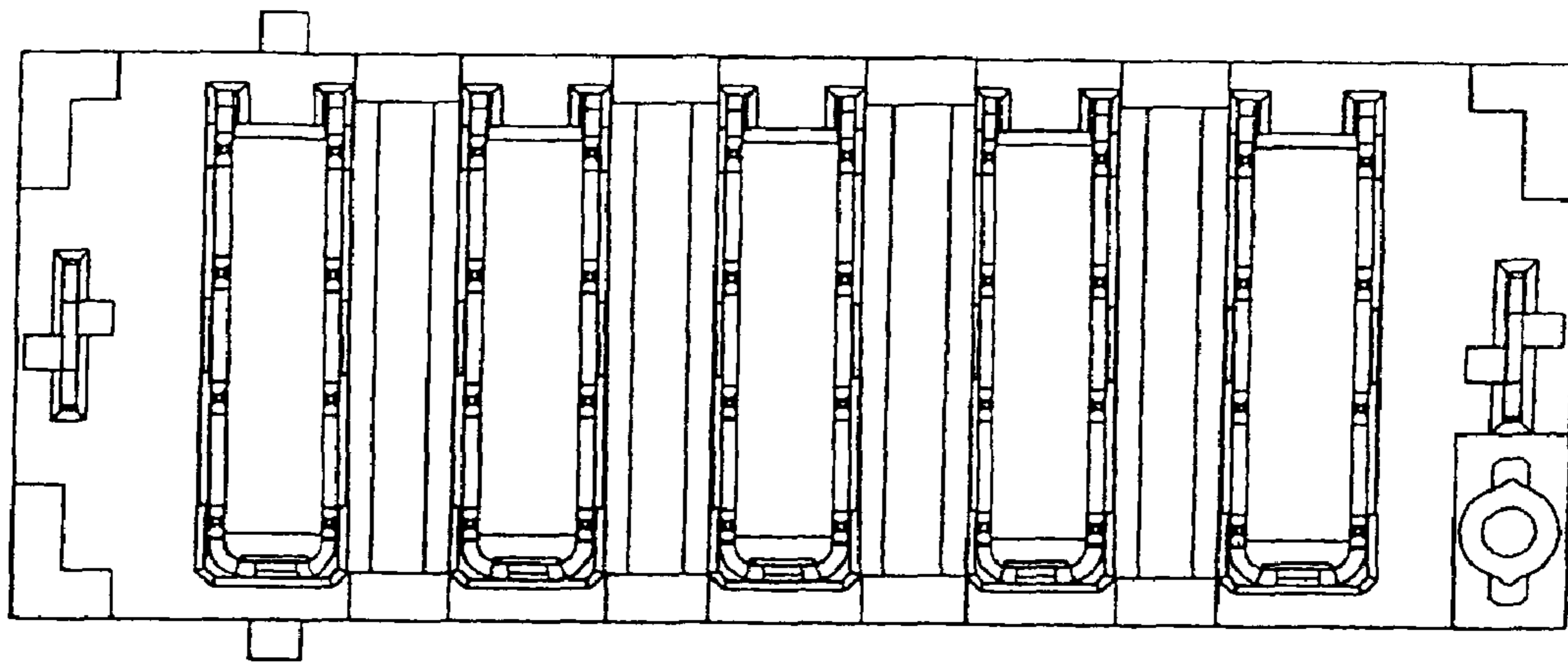


FIG. 3

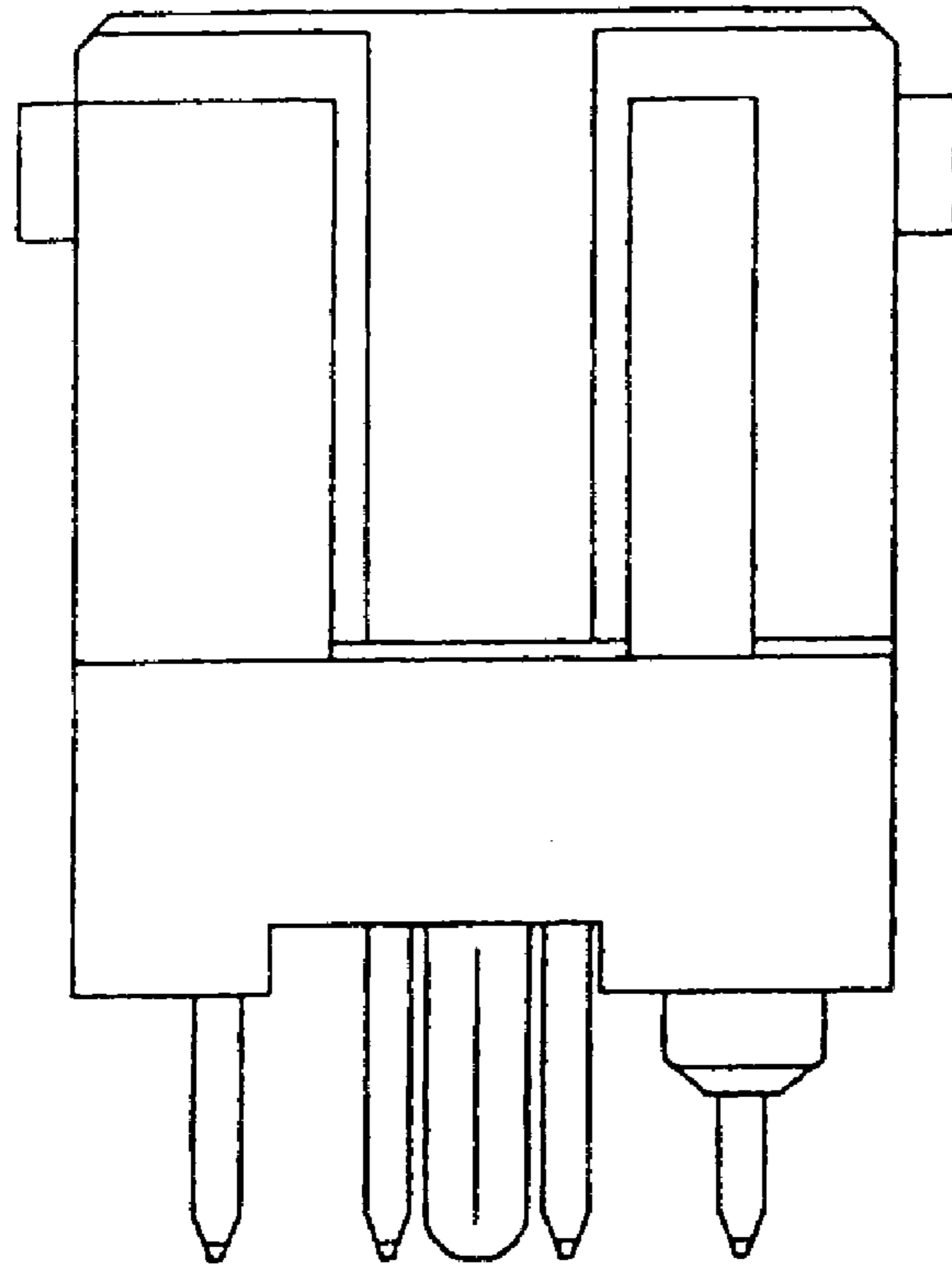


FIG. 4

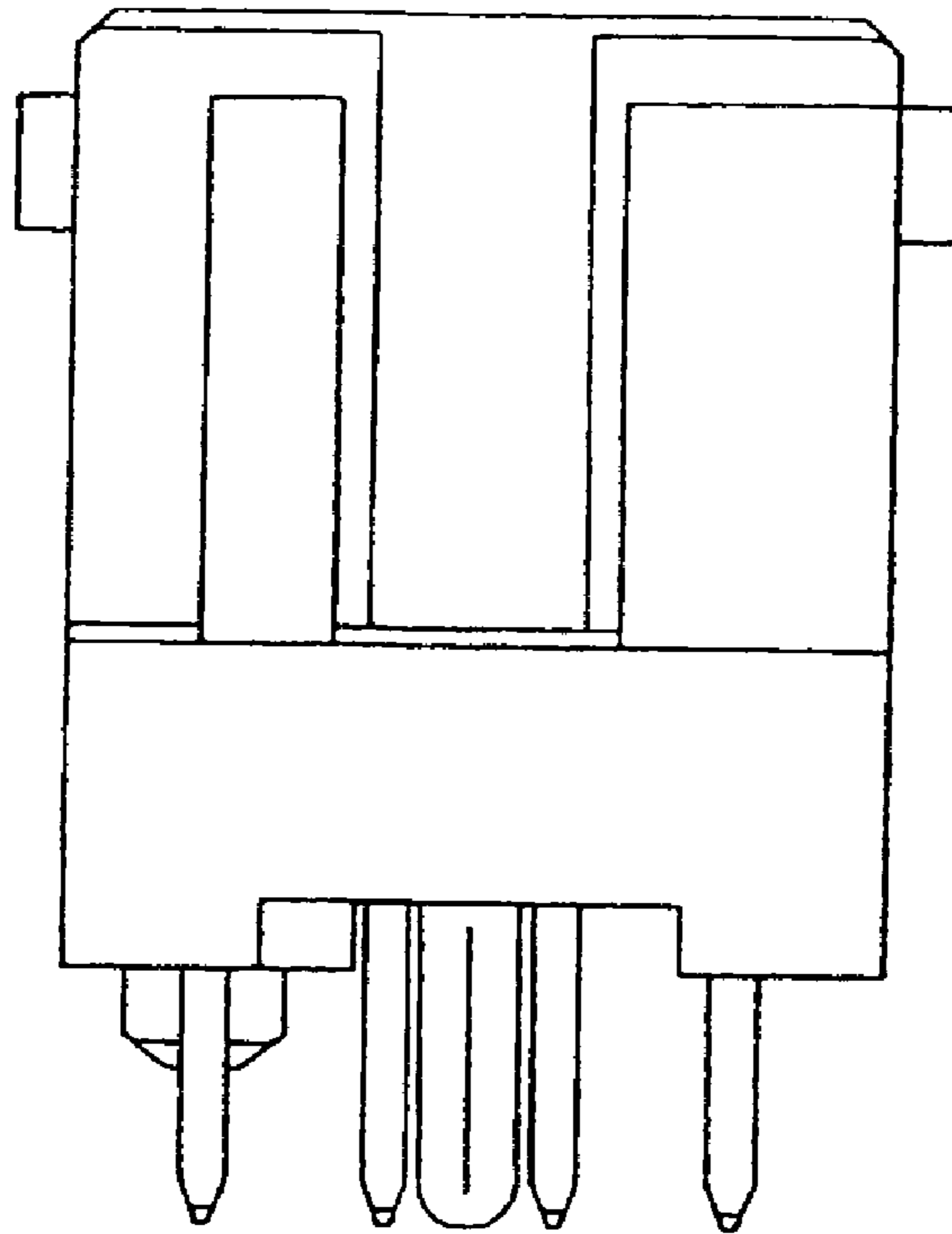


FIG. 5

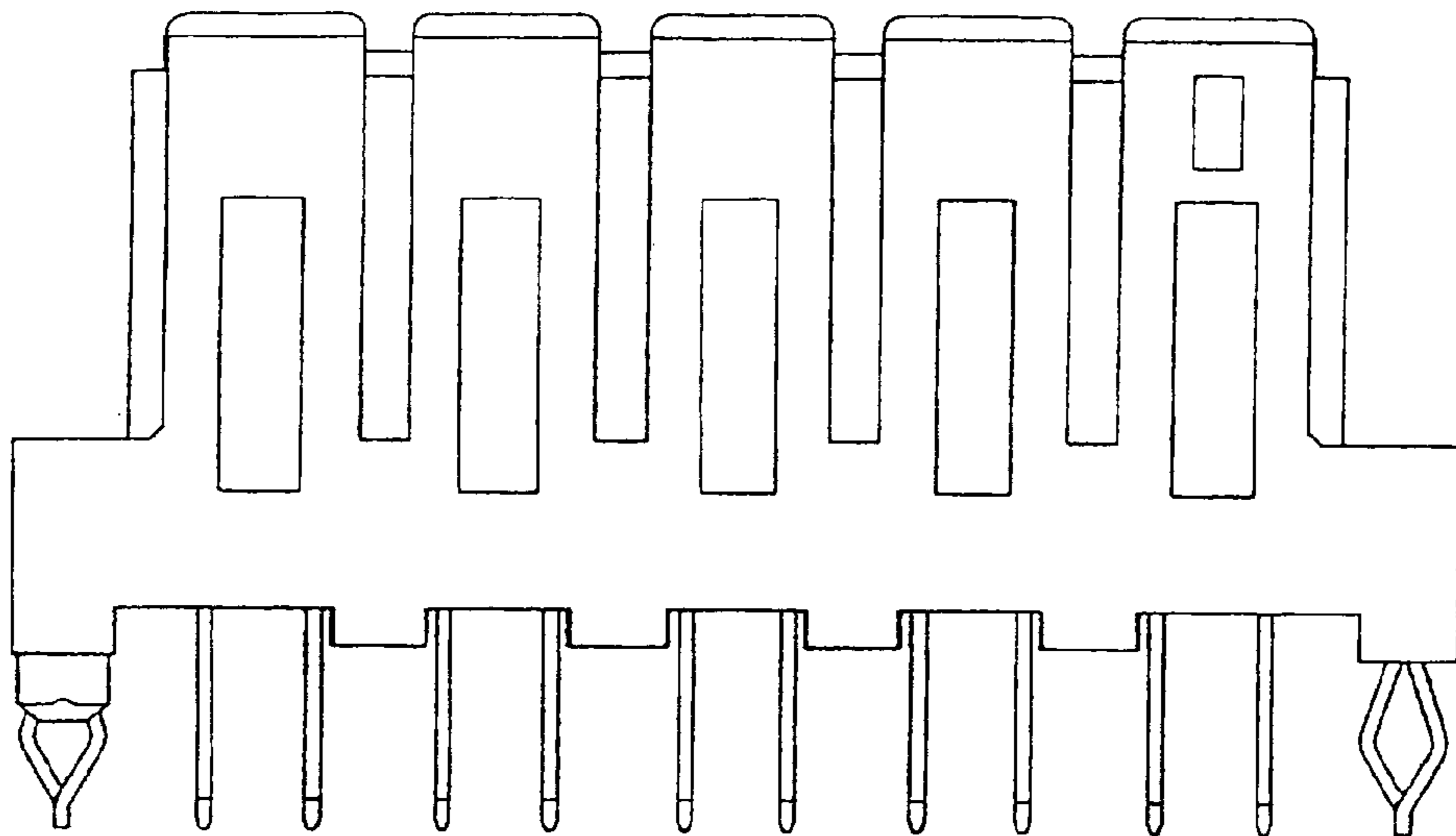


FIG. 6

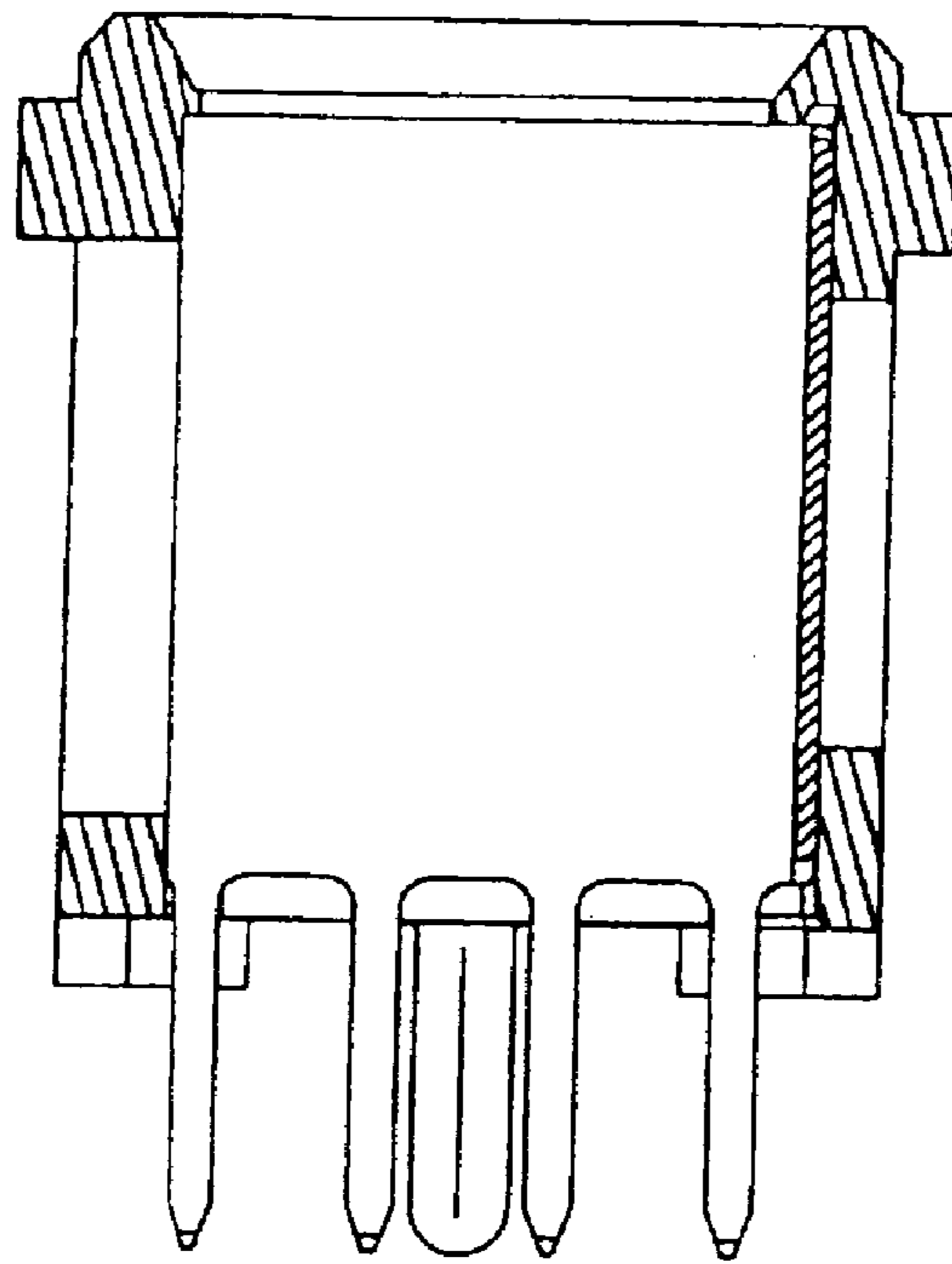


FIG. 7

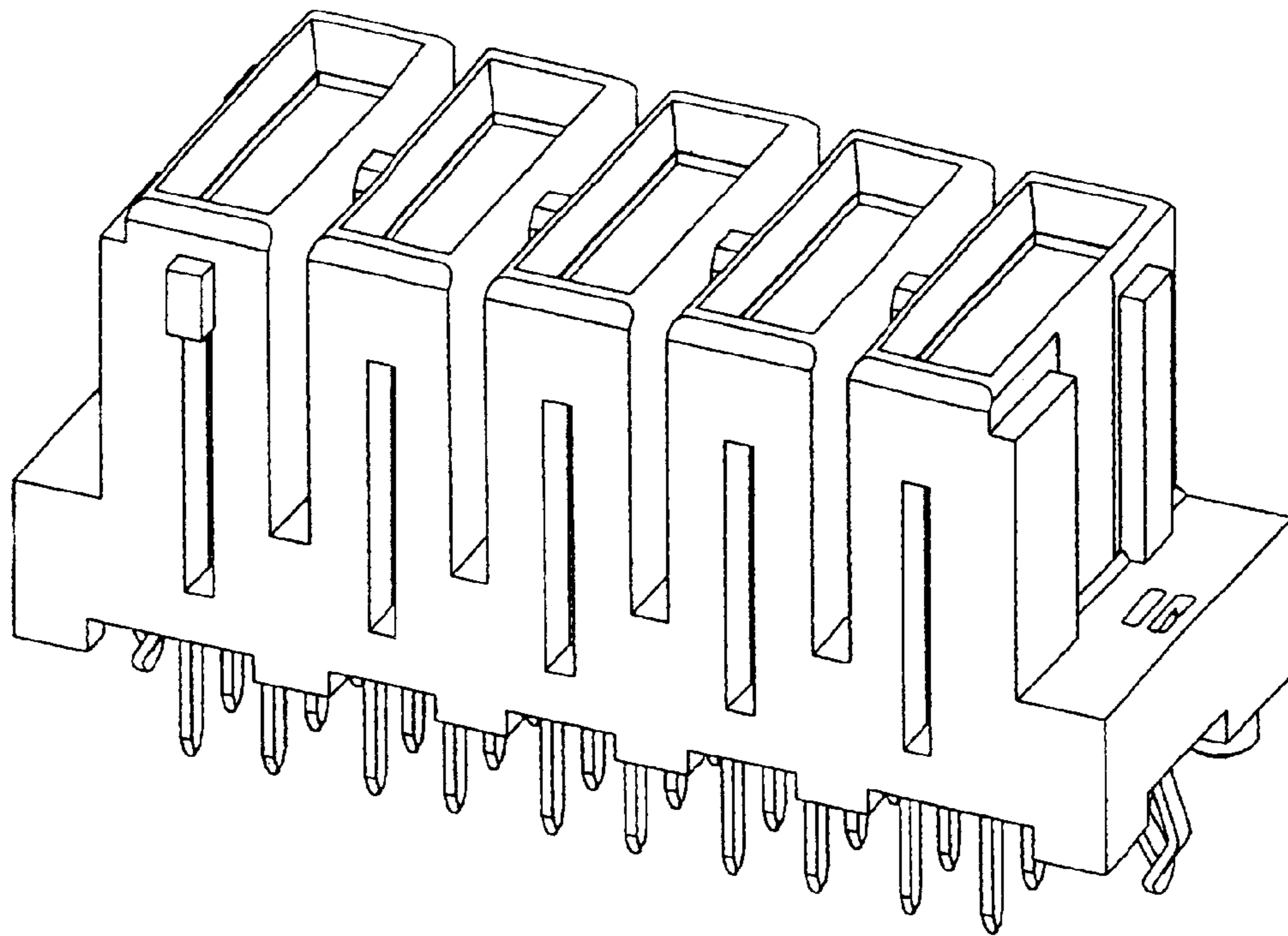


FIG. 8